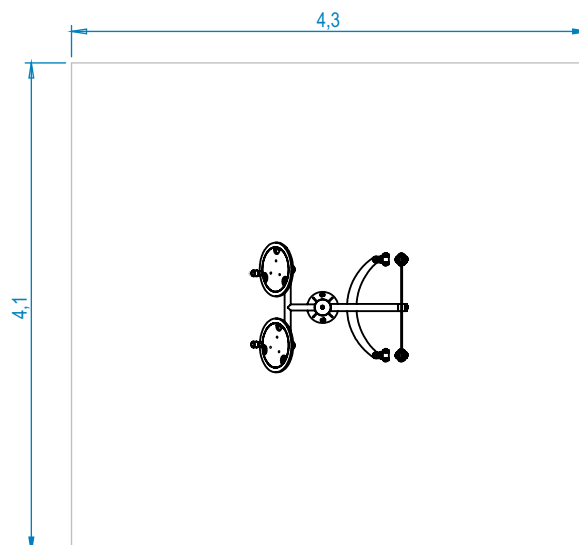
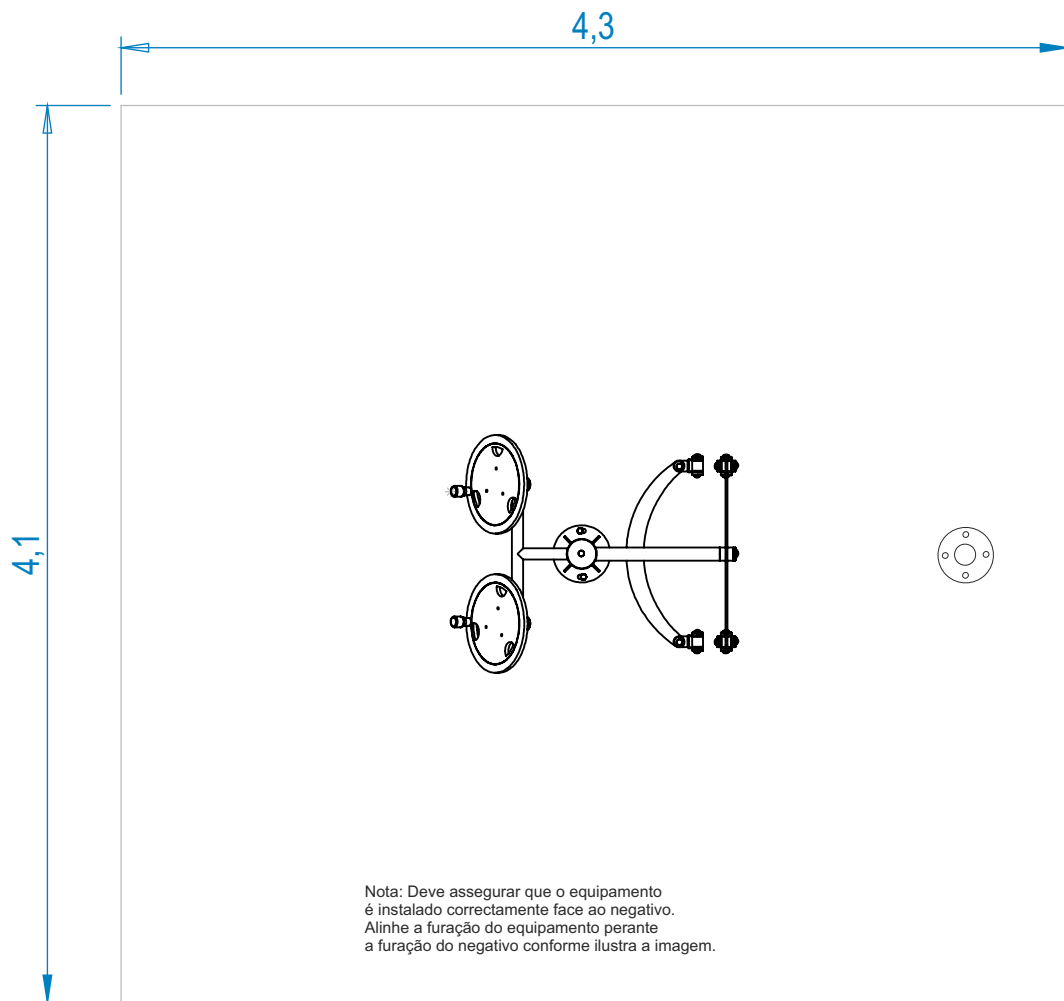


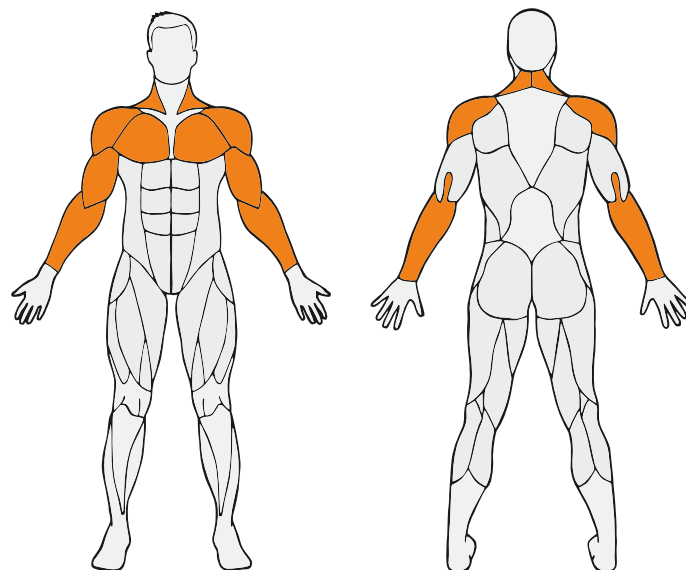
KOMBINASJONSAPPARAT INKLUDER 2

CGA2814





MÚSCULOS PARA DESENVOLVER / MÚSCULOS A DESARROLLAR / MUSCLES TO DEVELOP / MUSCLES À DÉVELOPPER





(very resistant to corrosion, wear and vandalism)

Structure

polyethylene

Plastic parts

electro-galvanized steel

Metal parts

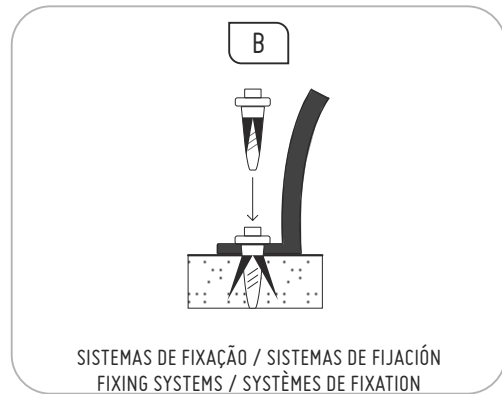
Bearings: SKF stiff balls with a reinforced stroke on both sides (no maintenance and lubrication required);

Finishing

electroplated and lacquered (or gel type enamel at 230°C, with thickness between 70µm according to the norm UNE EN ISO2808) to 2600 Sablé (on request can be lacquered to another RAL);

Type of attachment

provided by 1 negative;



PLANO DE MANUTENÇÃO / PLAN DE MANTENIMIENTO / MAINTENANCE PLAN / PLAN DE MAINTENANCE

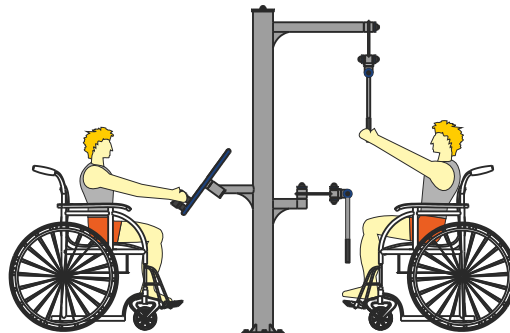
Weekly: visually check the overall status of the game, ensuring there are no breaks or damage to users;

Monthly: Check that the joints have a uniform movement. Lubricate if appropriate. ensure that the structural stability of the game is the same as the first day. check the condition of all bolts and their protections;

Annually: check for corrosion on metal parts. Check all foundations;



MODO DE EXECUÇÃO / MODO DE EJECUCIÓN / MODE OF EXECUTION / MODE D'EXÉCUTION



MODE OF EXECUTION: To the left, place in front of the structure hold the handles and pull alternately. To the right, look forward with the chin in the normal position. Grip the steering wheel handles with both hands (left hand and right hand in the right hand) and turn the wheels.

Caution: Consult your doctor before performing these exercises. Children must be supervised by an adult.