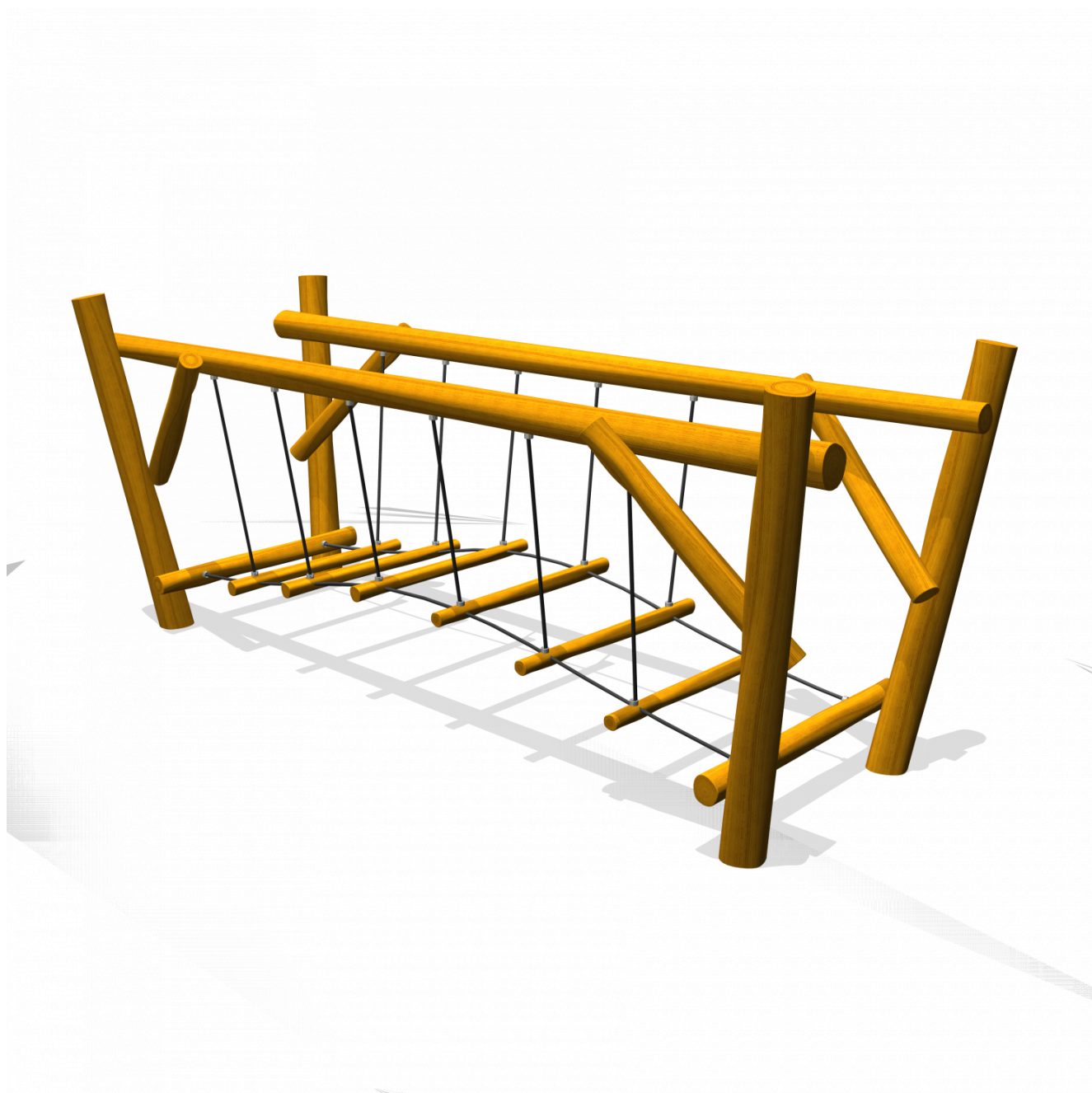
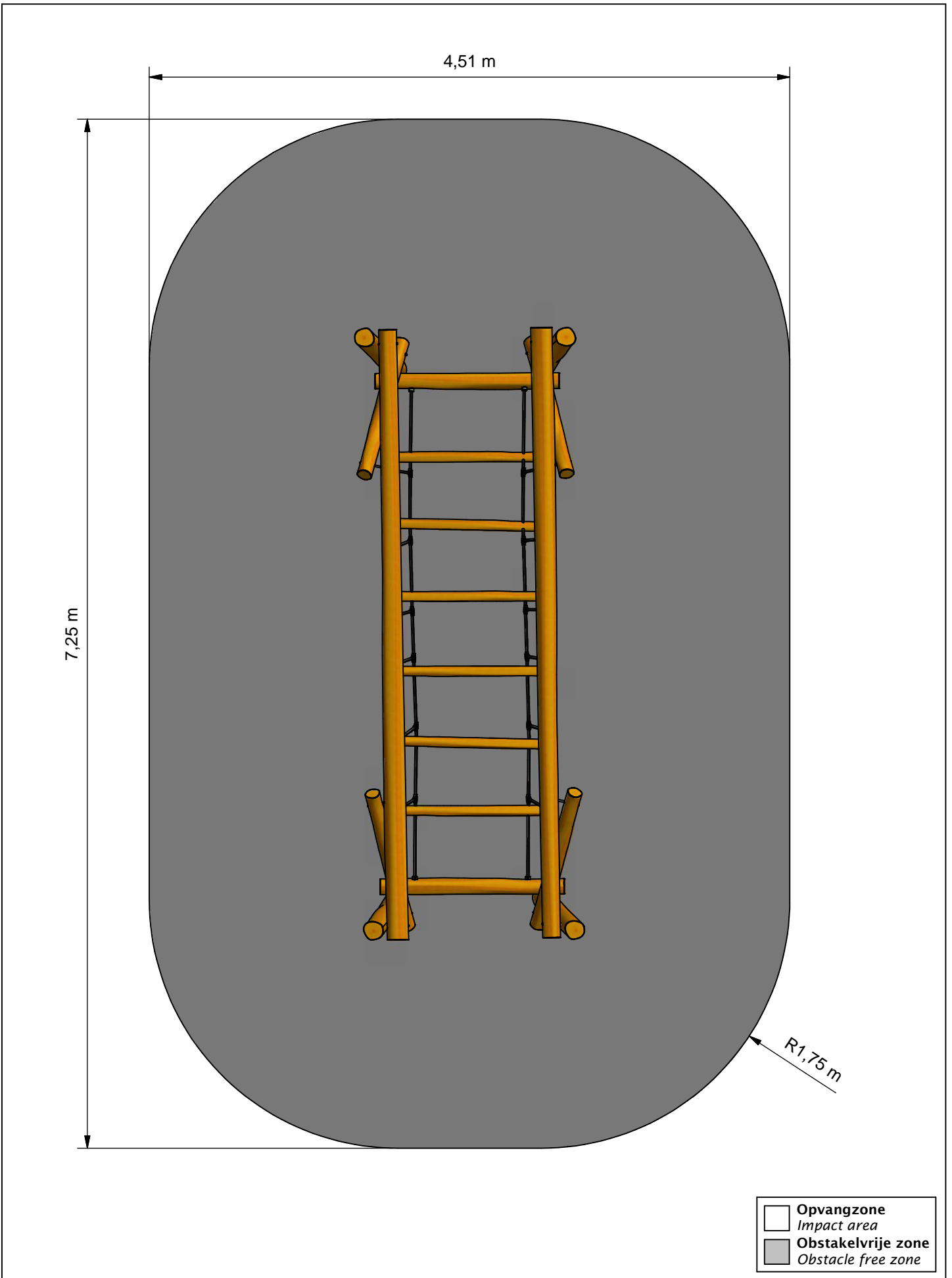




Wobbly bridge 4m



PSTE105.022



Benaming
Title: Wiebelbrug 4m

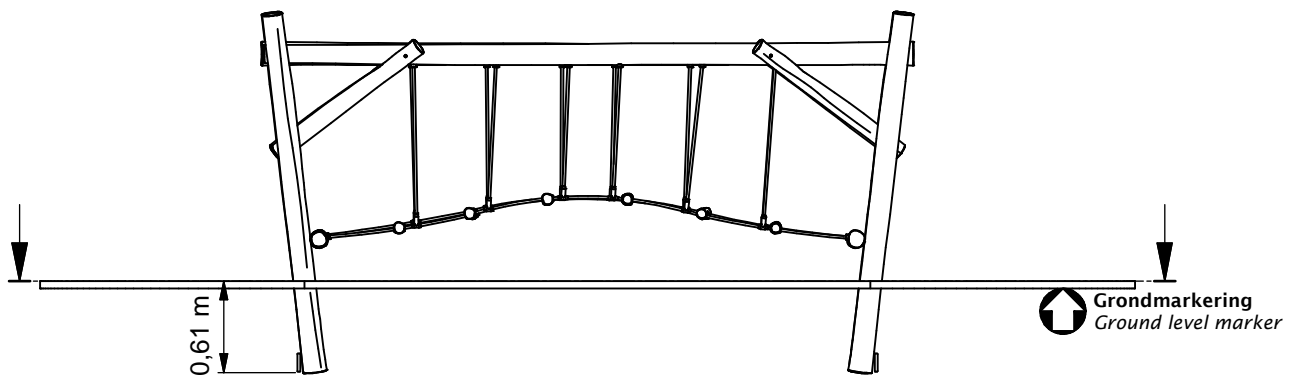
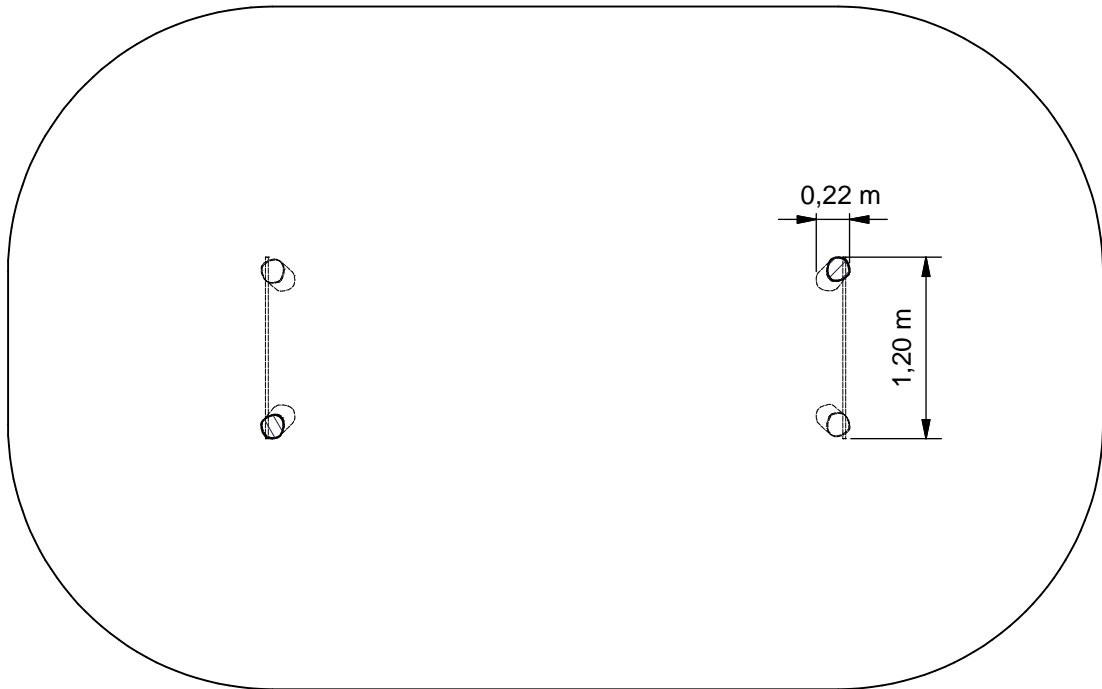
Opmerking
Comment: Adventure Play

Datum
Date: 24-6-2011

Tekening
Drawing

TOE PST 105 022

Obstakelvrije zone *Obstacle free zone*



Benaming
Title: Wiebelbrug 4m

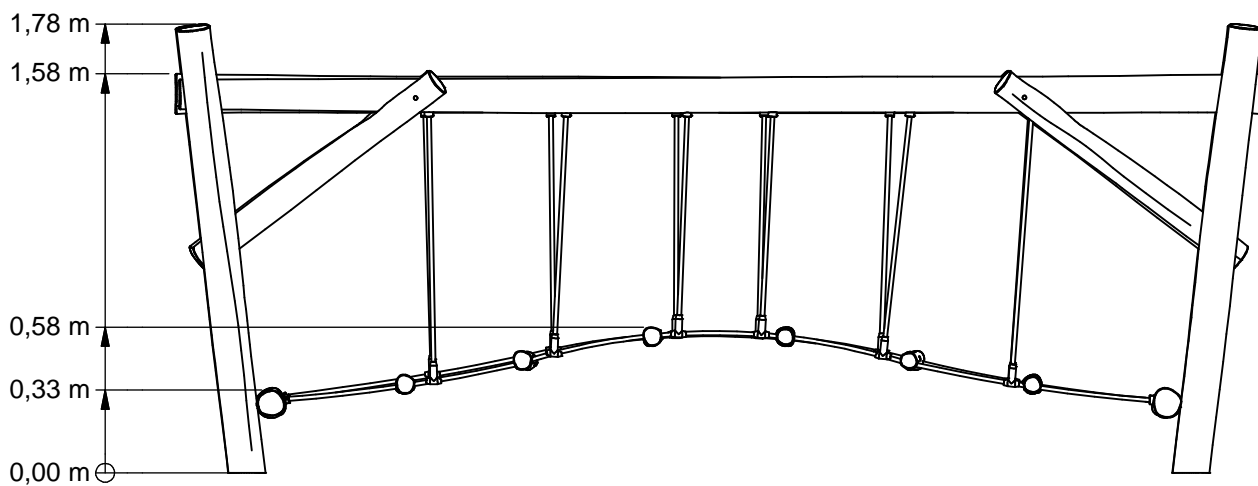
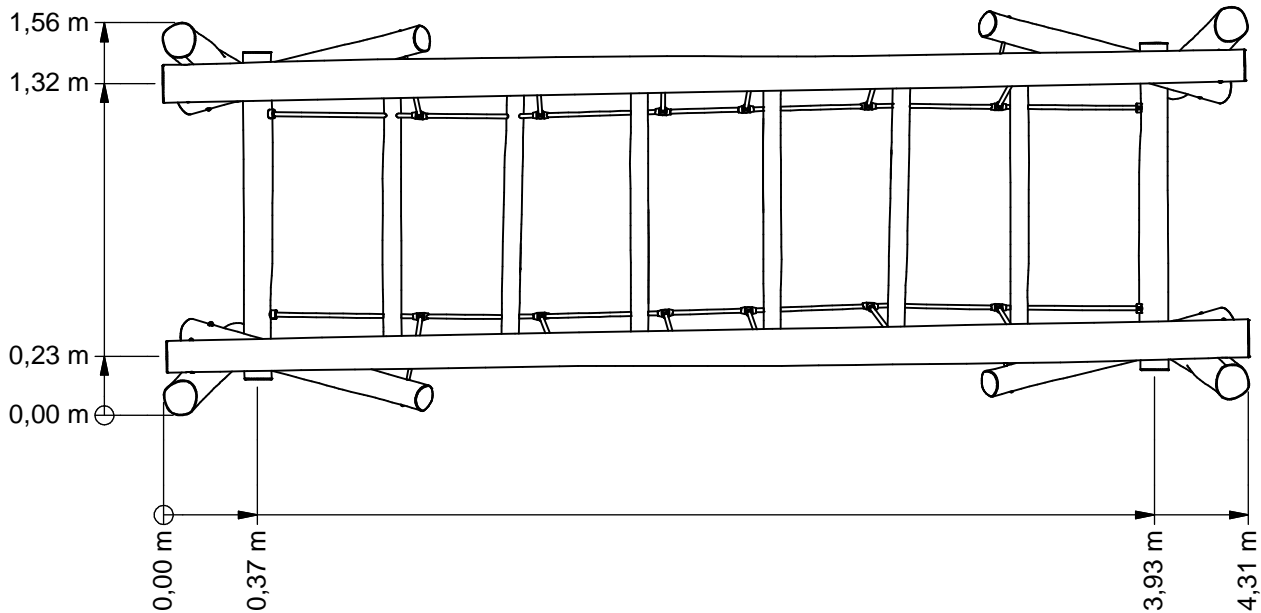
Opmerking
Comment: Adventure Play

Datum
Date: 24-6-2011

Tekening
Drawing

TOE PST 105 022

Bodemplan *Groundplan*



Benaming
Title: Wiebelbrug 4m

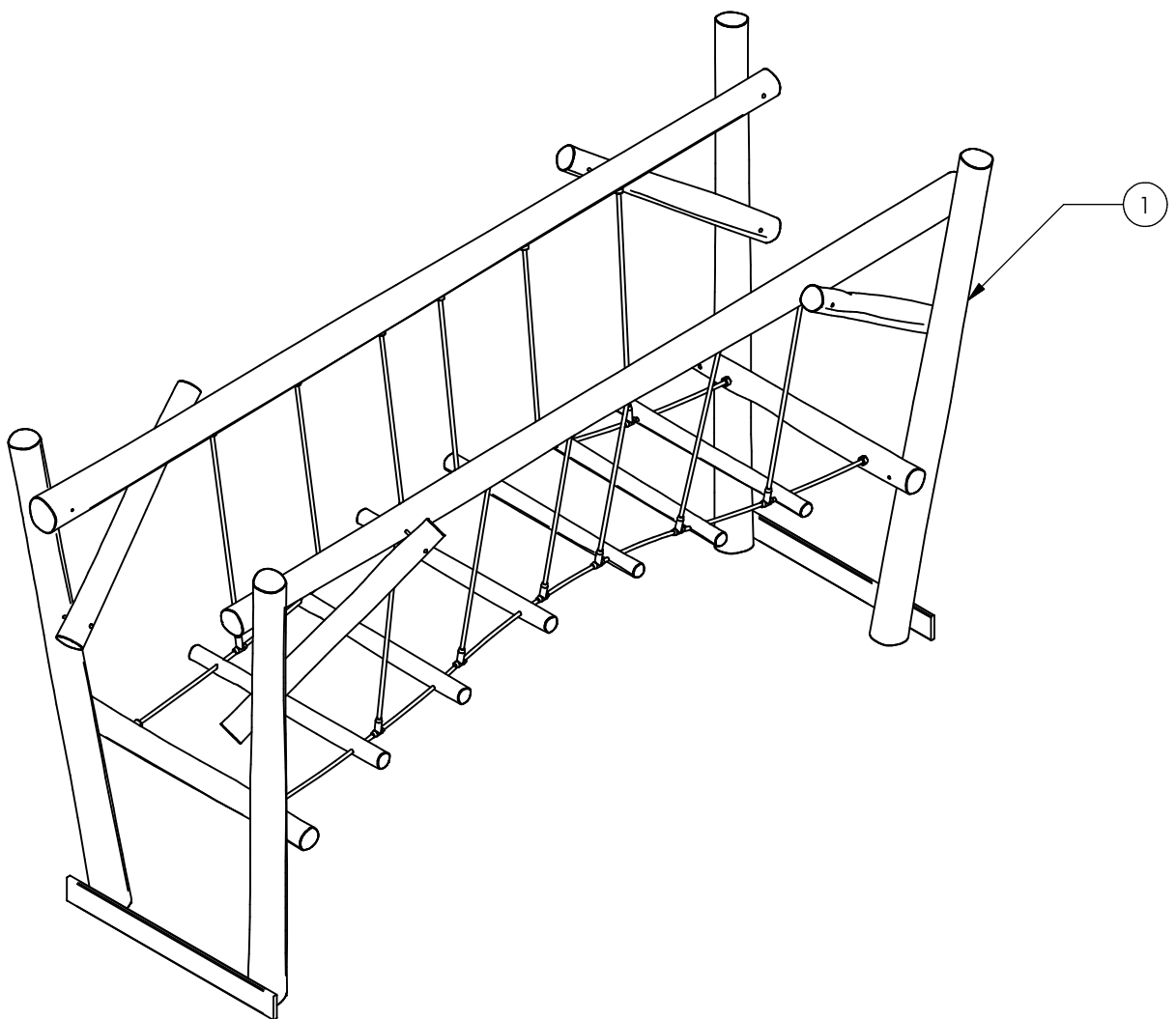
Opmerking
Comment: Adventure Play

Datum
Date: 24-6-2011

Tekening
Drawing

TOE PST 105 022

Afmetingen Dimensions



Nr	#	Type	Progr.	Volgnr	Bew.	Rev.	Benaming	Opmerking
1	1	MOD	PST	034	004	C	Wiebelbrug 4m	Adventure Play



Benaming
Title: Wiebelbrug 4m

Opmerking
Comment: Adventure Play

Datum
Date: 24-6-2011

Tekening
Drawing

TOE PST 105 022

Modules Modules

PSTE105.022

Wobbly bridge 4m

LOGBOOK

(Onderstaand logboek kan gebruikt worden om te voldoen aan de eisen, gesteld in artikel 14 van het Warenwetbesluit Attractie- en Speeltoestellen)

Type indication	Adventure Play
Product code	PSTE105.022
Name of equipment	Wiebelbrug 4m
Maximum height of fall	< 0,6 m
Year of construction	2017
Certificate	033157
inspection authority	TUV Nederland QA BV De Waal 21c, Best - 5684 PH Best
Name manufacturer	BOERplay Hyacintstraat 2 - 4255 HX Nieuwendijk Phone: +31 (0)183 40 23 66 Fax: +31 (0)183 40 35 64
name installer	_____ _____
Description of equipment	Wobbly bridge 4m
Location of equipment	_____
Data about the owner of the play equipment	
Name:	_____
Address:	_____
Postcode and town:	_____
Contact person:	_____
Telephone number:	_____
Data about the administrator of the play equipment	
Name:	_____
Address:	_____
Postcode and town:	_____
Contact person:	_____
Telephone number:	_____

LOGBOOK

Inspection and maintenance intervals



Nr.	Inspection	Maintenance	months between inspections
1	Verify equipment's stability, junctions and missing parts. Inspect bolts, screws and nuts for absence, jams, corrosion and wear.	Add missing parts, secure joints, apply missing fixing agent and replace corroded parts.	1
2	Check suspension for wear.	Replace worn parts and/or remove non-functioning parts.	1
3	Inspect rotating parts such as hinges, rolling-element bearings, etc. for wear and acceptability.	Replace worn parts and/or remove non-functioning parts.	1
4	Check wood for splinters, unacceptable damage and signs of rot. Especially at ground level.	Repair damage. Replace affected wood. Smoothen splintered wood and sharp edges.	1
5	Inspect foundation for stability, tearing and coverage.	Restore foundation and covering material.	3
6	Examine rubber and synthetic parts for wear, damage and break.	Replace original parts.	3
7	Inspect metal for corrosion and damage in the coating.	Restore any damaged coating (after removing rust and applying primer).	6
8	Check ropes, cables, chains and nets for wear and damage. Steel cables and nets which are tensioned must be checked for tension.	Replace parts where necessary. Steel cables and nets must be tensioned.	3
9	Inspect equipment for unsafe changes and additions.	Remove unsafe additions and correct unsafe changes.	1
10	Inspect safety surfaces.	Restore and repair where necessary.	1

Remarks

1. If used intensively, all points require extra attention.
2. Extreme weather conditions and locations may require a higher inspection frequency. Discuss this with the supplier.
3. Vandalism-sensitive locations require stricter inspections, possibly daily.
4. Check the terrain regularly for items that do not belong there, are unsafe or may be used wrongly. Examples are poisonous plants, glass shards, etc. Frequency depends on strain.
5. Remember that bad maintenance leads to unsafe conditions and notably faster impoverishment of the playground area.
6. Replacement parts can be ordered at the manufacturer with the part numbers on the module drawing. Drawings can be found in de user guide.
7. The impact area shall be provided with impact attenuating surface according to the specified falling height.
8. This list is conform the CEN-standard "playground equipment and surfacing NEN-EN 1176-7".

Warenwet

Certificaat van Typeonderzoek Type Examination Certificate

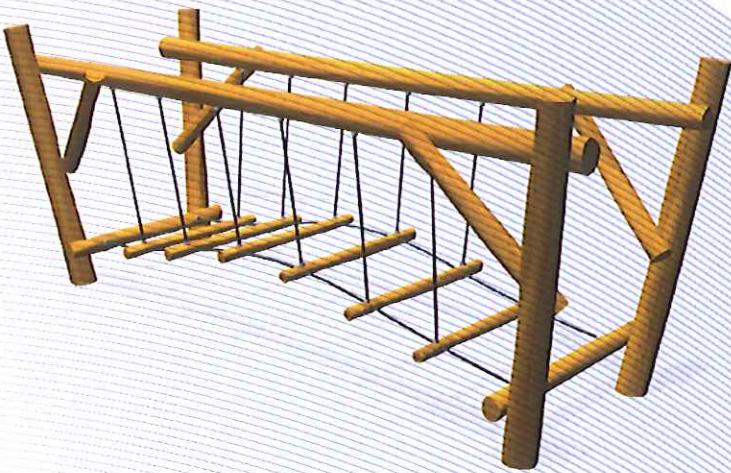
afgegeven door issued by

TÜV Nederland QA BV



aangewezen bij ministeriële beschikking van
4 mei 2012, nr. VGP 3113590

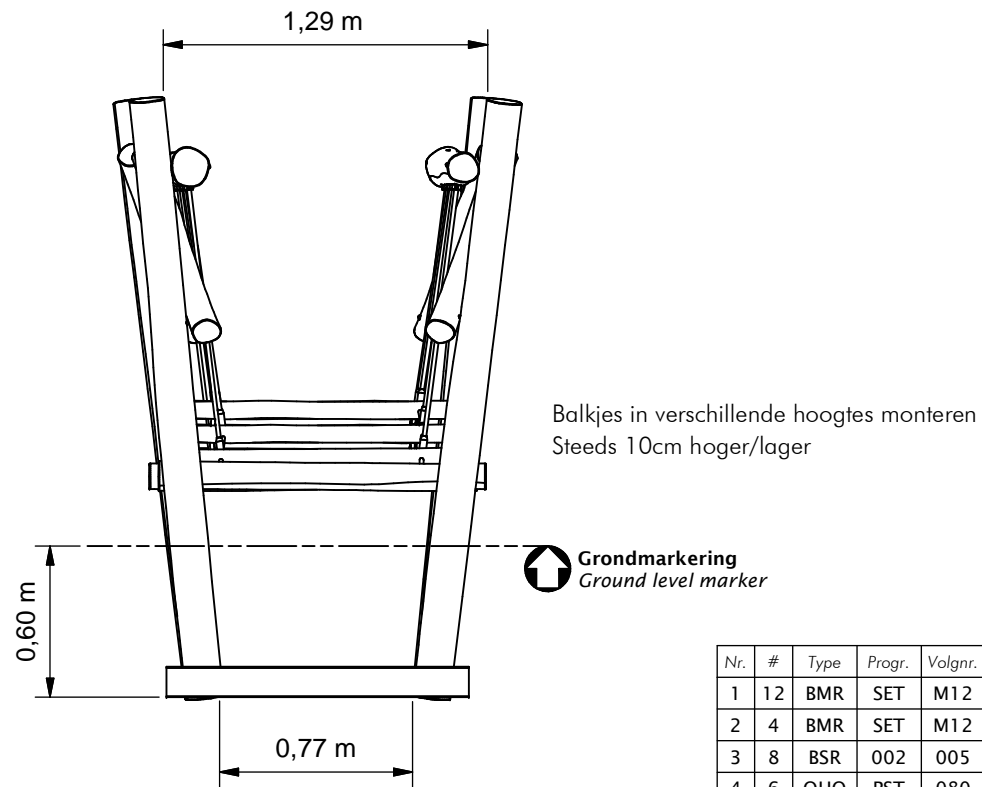
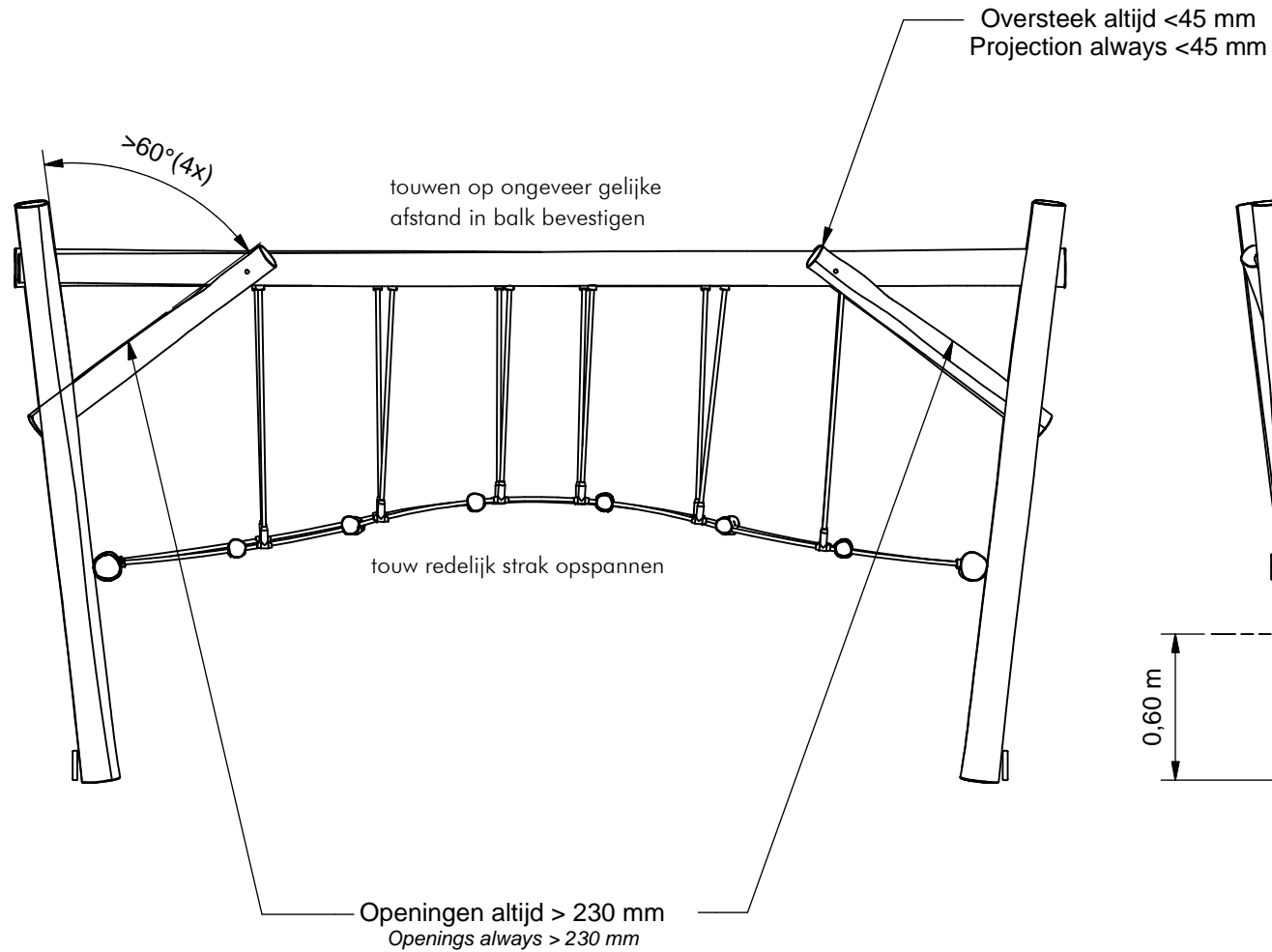
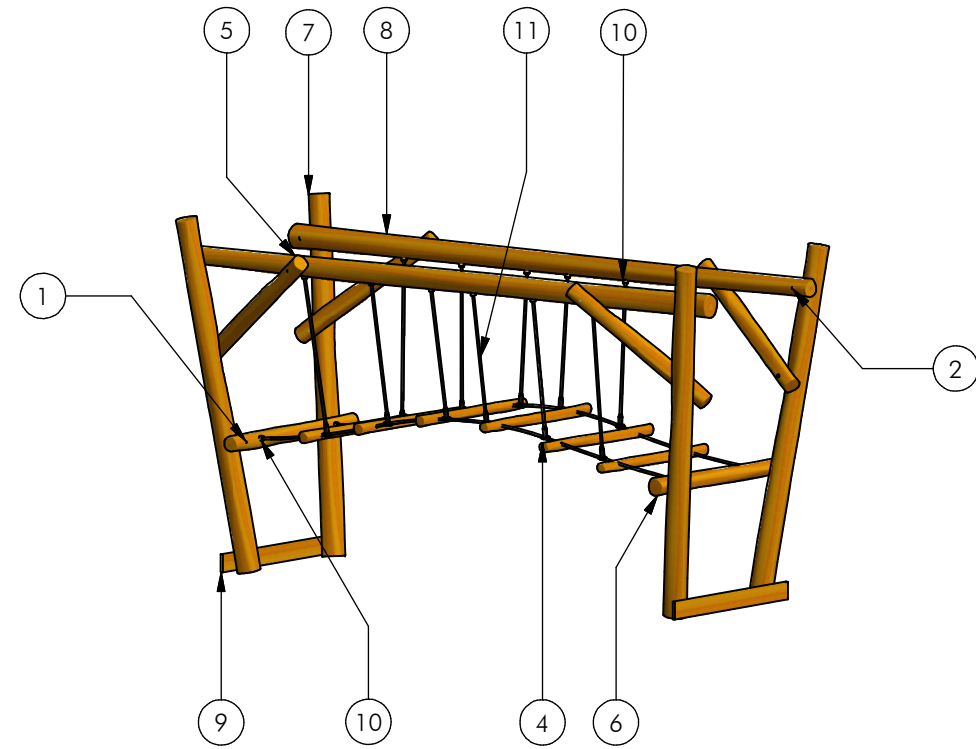
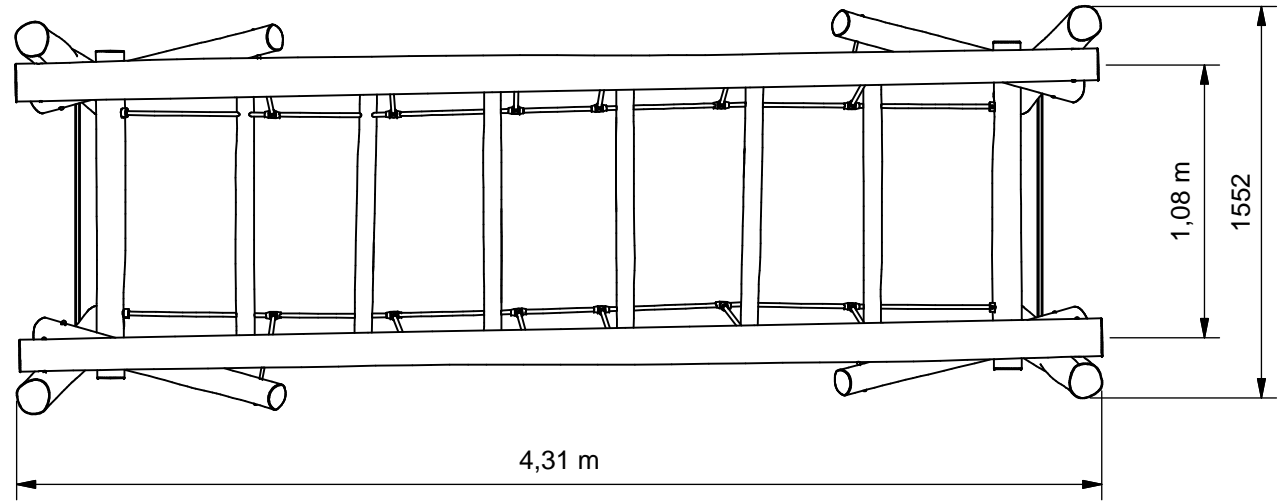
commissioned by departmental order
of 4 May 2012, no. VGP 3113590

Certificaat nr. Certificate nr.	033157TA_20130212	Dossiernr. File nr.	033157TA
Productomschrijving Product description	Wiebelbrug		
Evt. nadere aanduidingen Further indications	Adventure Play		
voor nadere informatie zie bijbehorend rapport met gelijkloidend dossiernr. for further information see associated report with identical file nr.			
Eigenaar / certificaathouder en adres Owner/certificate holder and address	Boer Speeltoestellen B.V. Hyacintstraat 2 4255 HX NIEUWENDIJK		
Soort toestel Category of equipment	Speeltoestel / Playground equipment		
Fabrikant Manufacturer	Boer Speeltoestellen B.V. Hyacintstraat 2 4255 HX NIEUWENDIJK		
Type/Serienummer Type/Serial number	PST.105.022 /	in te vullen door de fabrikant to be filled out by the manufacturer	
Jaar van fabricage Year of construction	vanaf since	2012	
Leverancier Supplier	Boer Speeltoestellen B.V. Hyacintstraat 2 4255 HX NIEUWENDIJK		
Jaar van leverantie Year of supply	in te vullen door de leverancier to be filled out by the supplier		
Datum keuring Date of examination	29-01-2013 – 12-02-2013 en 31-03-2014		

TÜV Nederland QA BV, de Waal 21C, NL-5684 PH Best verklaart, dat het bovenaangehaalde toestel voldoet aan de vervaardigingvoorschriften genoemd in het Warenwetbesluit attractie- en speeltoestellen (met als leidraad de normatieve documenten NEN-EN 1176:2008).

TÜV Nederland QA BV declares that the here above mentioned equipment meets the safety and health requirements mentioned in the Dutch law "Warenwetbesluit attractie- en speeltoestellen" (guided by normative documents EN 1176:2008).

Namens het bestuur, For the board, A.C. Boon Directeur	
---	--



Nr.	#	Type	Progr.	Volgnr.	Bew.	Rev.	Benaming	Opmerking
1	12	BMR	SET	M12	200		Slotbout+dopm.+ringen	M12, L= 200, RVS A2-70
2	4	BMR	SET	M12	240		Slotbout+dopm.+ringen	M12, L= 240, RVS A2-70
3	8	BSR	002	005	070		Schroef Assy	5x70 RVS A2 70
4	6	OHO	PST	080	011		Paal 6	Lengte =1100
5	4	OHO	PST	120	012		Paal 10-12	Lengte =1200
6	2	OHO	PST	120	013		Paal 10-12	Lengte =1300
7	4	OHO	PST	160	024		Paal 14-16	Lengte =2400
8	2	OHO	PST	160	043		Paal 14-16	Lengte =4300
9	2	OHO	PST	211	120		Standaard plank 120x20	Lengte = 1200
10	16	OME	BUS	002	RVS		Bus RVS schroefdraad	touw d16
11	1	SNT	PST	016	175		Ophanging Touwbrug	Adventure Play



Benaming Title: Wiebelbrug 4m
 Opmerking Comment: Adventure Play
 Datum Date: 6-2-2014

Tekening Drawing

MOD PST 034 004 C

Modules Modules