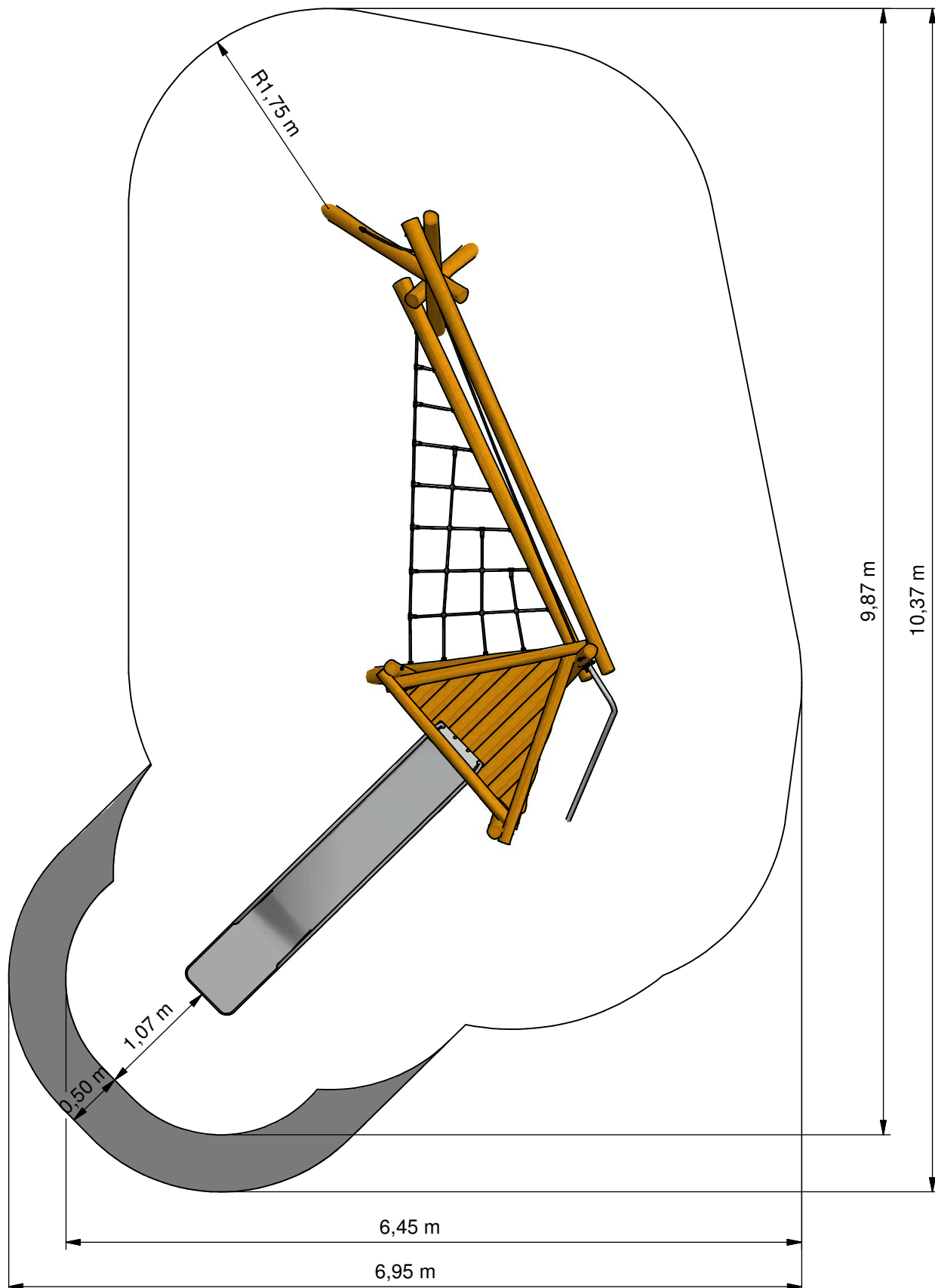




# Combination Equipment



PSTE115.002



- Opvangzone  
Impact area
- Obstakelvrije zone  
Obstacle free zone



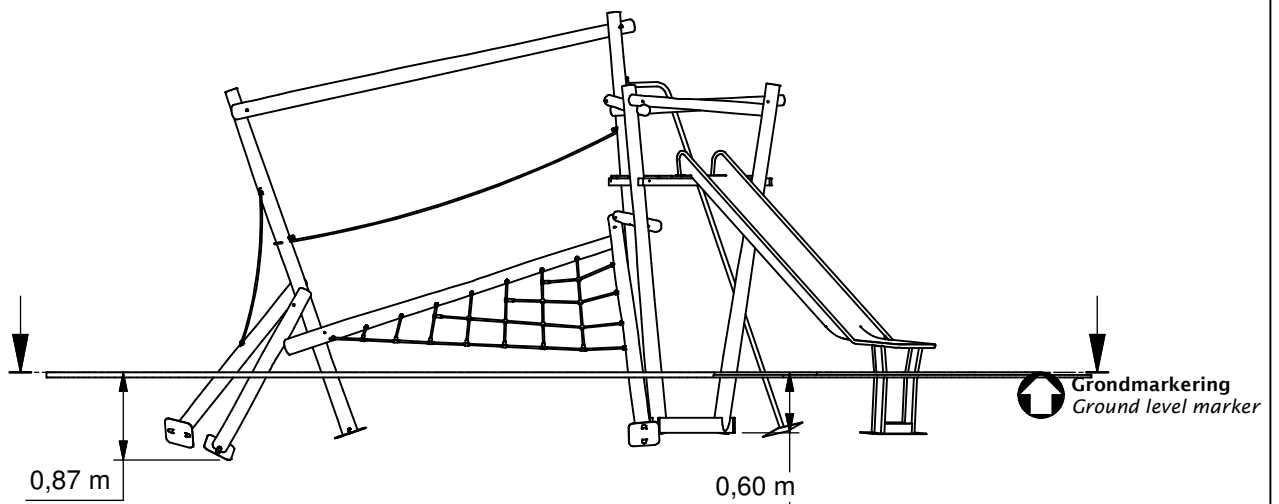
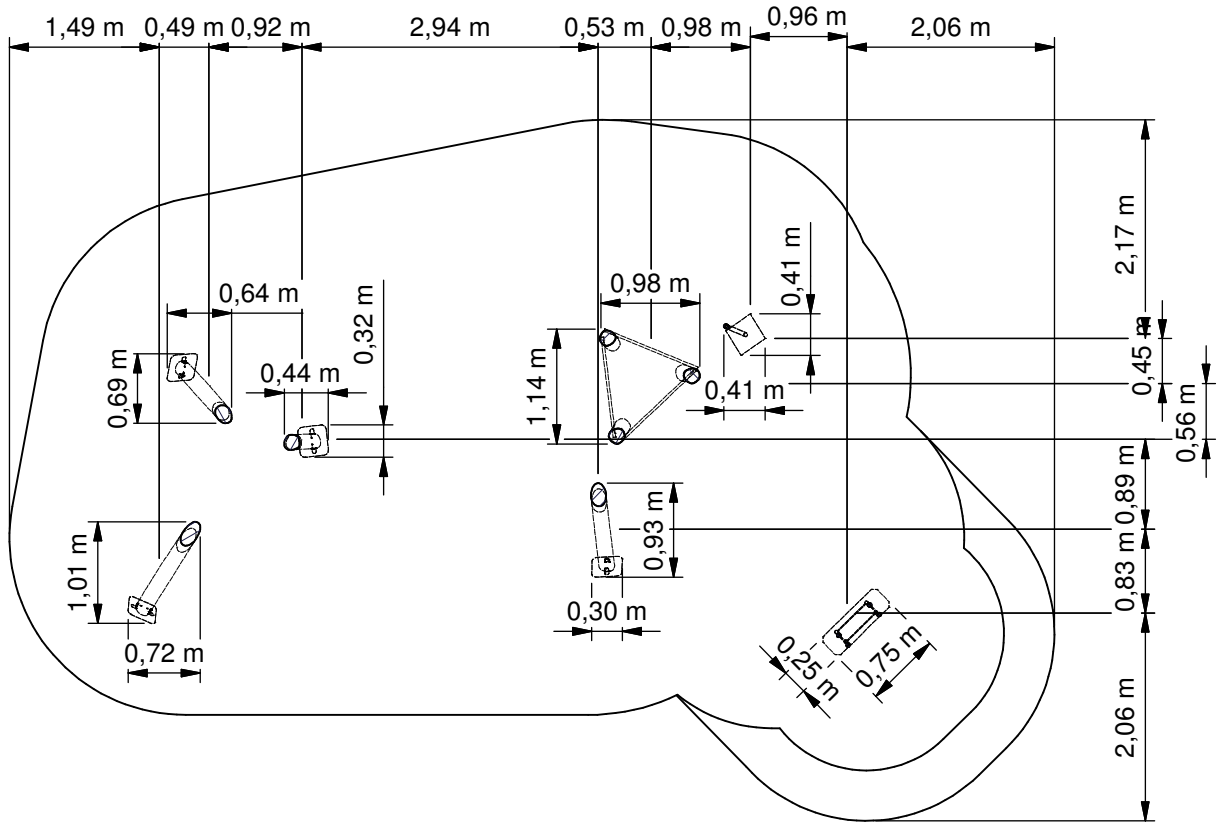
Benaming  
Title Palenwoud

Opmerking  
Comment Adventure Play

Datum  
Date 4-7-2014

Tekening  
Drawing

**TOE PST 115 002 B**  
Obstakelvrije zone *Obstacle free zone*



Benaming  
Title Palenwoud

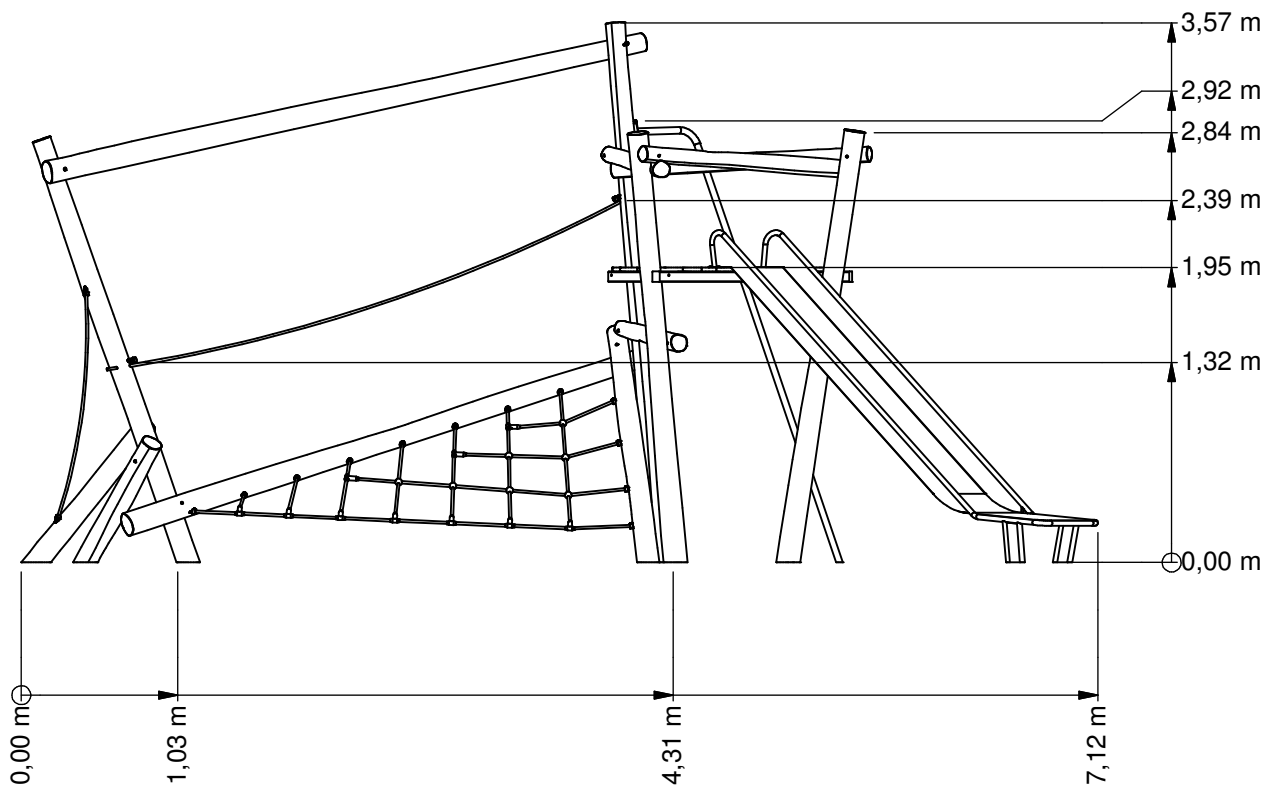
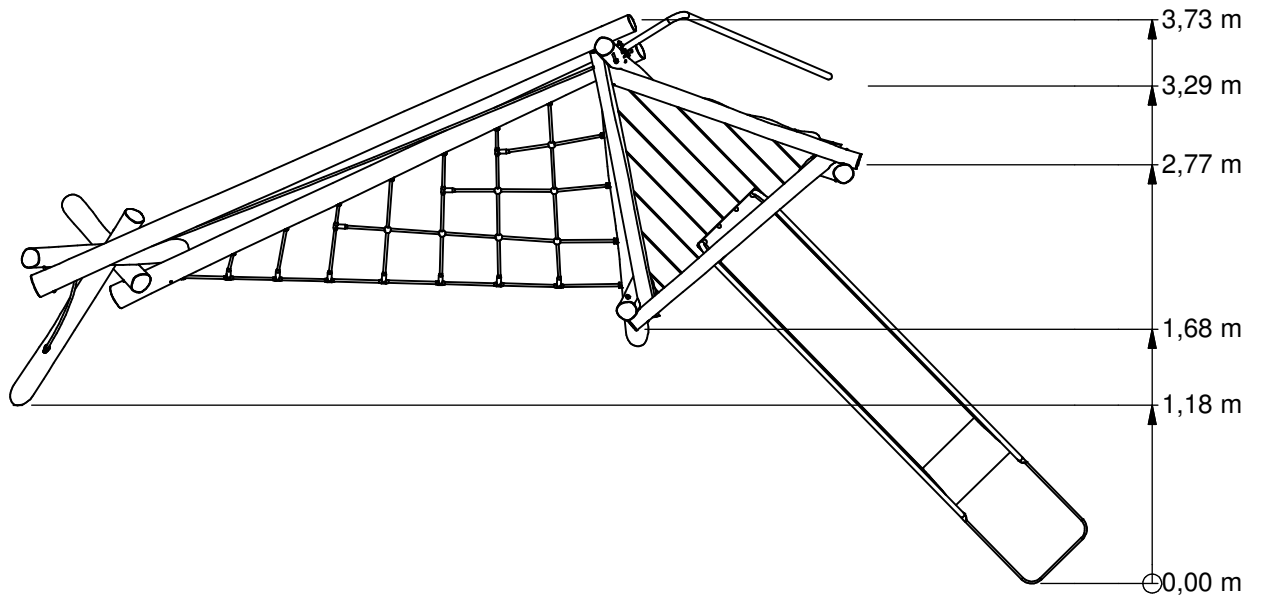
Opmerking  
Comment Adventure Play

Datum  
Date 4-7-2014

Tekening  
Drawing

TOE PST 115 002 B

Bodemplan Groundplan



Benaming  
Title Palenwoud

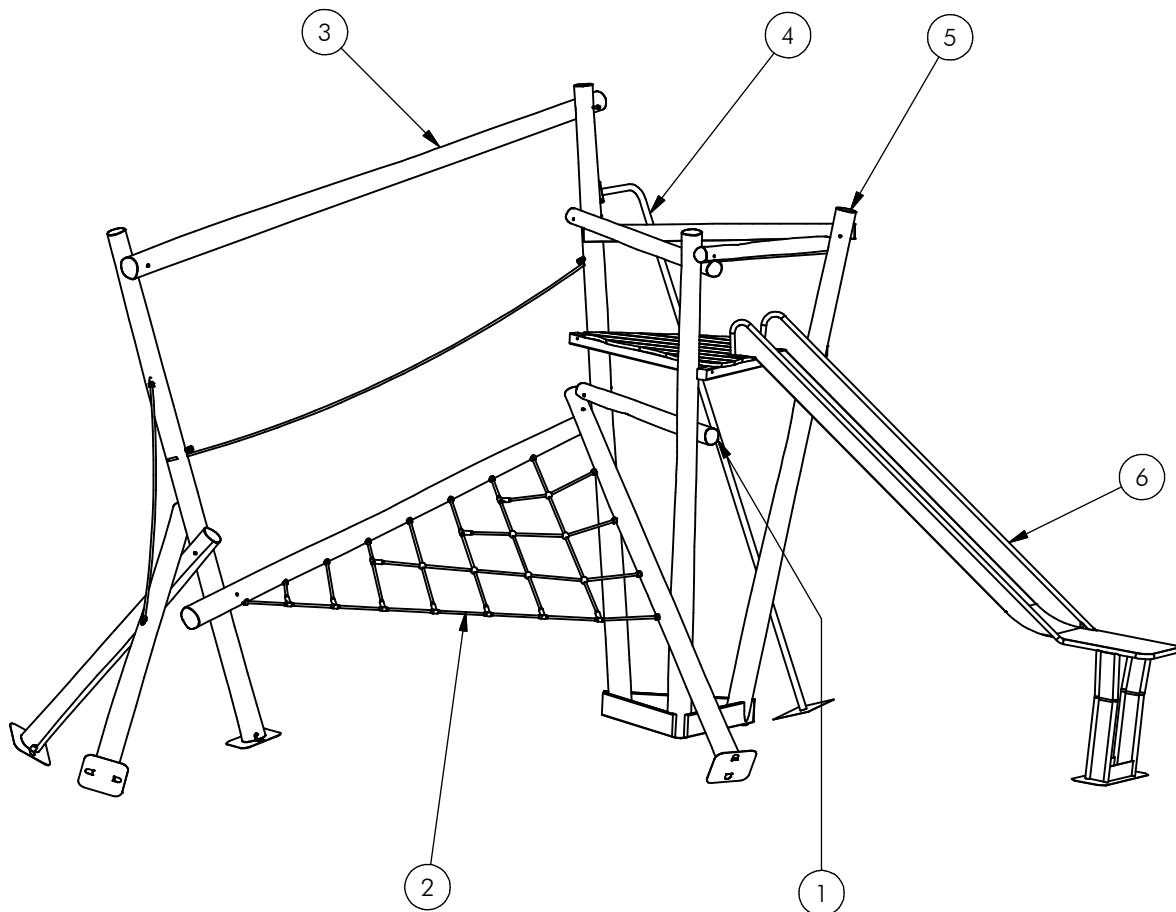
Opmerking  
Comment Adventure Play

Datum  
Date 4-7-2014

Tekening  
Drawing

**TOE PST 115 002 B**

Afmetingen Dimensions



Nr	#	Type	Progr.	Volgnr	Bew.	Rev.	Benaming	Opmerking
1	1	MOD	PST	016	045		Sport 10-12	Adventure Play
2	1	MOD	PST	021	001	B	Driehoek Opklimnet	Adventure Play
3	1	MOD	PST	022	004	A	Aanbouwtouw	Adventureplay
4	1	MOD	PST	024	001		Glijpaal 3,80 m	Adventure Play
5	1	MOD	PST	030	020	A	Droehoekstoren 2,0 m	Palenwoud
6	1	MOD	PST	002	193	A	Glijbaan 195 cm	Module Robina



Benaming  
Title Palenwoud

Opmerking  
Comment Adventure Play

Datum  
Date 4-7-2014

Tekening  
Drawing

TOE PST 115 002 B

Modules Modules

# PSTE115.002

Combination Equipment

## LOGBOOK

(Onderstaand logboek kan gebruikt worden om te voldoen aan de eisen, gesteld in artikel 14 van het Warenwetbesluit Attractie- en Speeltoestellen)

Type indication	Adventure Play
Product code	PSTE115.002
Name of equipment	Palenwoud
Maximum height of fall	2,0 m
Year of construction	2017
Certificate	032709
inspection authority	TUV Nederland QA BV De Waal 21c, Best - 5684 PH Best
Name manufacturer	BOERplay Hyacintstraat 2 - 4255 HX Nieuwendijk Phone: +31 (0)183 40 23 66 Fax: +31 (0)183 40 35 64
name installer	_____ _____
Description of equipment	Combination Equipment
Location of equipment	_____
Data about the owner of the play equipment	
Name:	_____
Address:	_____
Postcode and town:	_____
Contact person:	_____
Telephone number:	_____
Data about the administrator of the play equipment	
Name:	_____
Address:	_____
Postcode and town:	_____
Contact person:	_____
Telephone number:	_____

# LOGBOOK

## Inspection and maintenance intervals



Nr.	Inspection	Maintenance	months between inspections
1	Verify equipment's stability, junctions and missing parts. Inspect bolts, screws and nuts for absence, jams, corrosion and wear.	Add missing parts, secure joints, apply missing fixing agent and replace corroded parts.	1
2	Check suspension for wear.	Replace worn parts and/or remove non-functioning parts.	1
3	Inspect rotating parts such as hinges, rolling-element bearings, etc. for wear and acceptability.	Replace worn parts and/or remove non-functioning parts.	1
4	Check wood for splinters, unacceptable damage and signs of rot. Especially at ground level.	Repair damage. Replace affected wood. Smoothen splintered wood and sharp edges.	1
5	Inspect foundation for stability, tearing and coverage.	Restore foundation and covering material.	3
6	Examine rubber and synthetic parts for wear, damage and break.	Replace original parts.	3
7	Inspect metal for corrosion and damage in the coating.	Restore any damaged coating (after removing rust and applying primer).	6
8	Check ropes, cables, chains and nets for wear and damage. Steel cables and nets which are tensioned must be checked for tension.	Replace parts where necessary. Steel cables and nets must be tensioned.	3
9	Inspect equipment for unsafe changes and additions.	Remove unsafe additions and correct unsafe changes.	1
10	Inspect safety surfaces.	Restore and repair where necessary.	1

## Remarks

1. If used intensively, all points require extra attention.
2. Extreme weather conditions and locations may require a higher inspection frequency. Discuss this with the supplier.
3. Vandalism-sensitive locations require stricter inspections, possibly daily.
4. Check the terrain regularly for items that do not belong there, are unsafe or may be used wrongly. Examples are poisonous plants, glass shards, etc. Frequency depends on strain.
5. Remember that bad maintenance leads to unsafe conditions and notably faster impoverishment of the playground area.
6. Replacement parts can be ordered at the manufacturer with the part numbers on the module drawing. Drawings can be found in de user guide.
7. The impact area shall be provided with impact attenuating surface according to the specified falling height.
8. This list is conform the CEN-standard "playground equipment and surfacing NEN-EN 1176-7".

Warenwet

# Certificaat van Typeonderzoek Type Examination Certificate

afgegeven door issued by

## TÜV Nederland QA BV



aangewezen bij ministeriële beschikking van  
4 mei 2012, nr. VGP 3113590

commissioned by departmental order  
of 4 May 2012, no. VGP 3113590

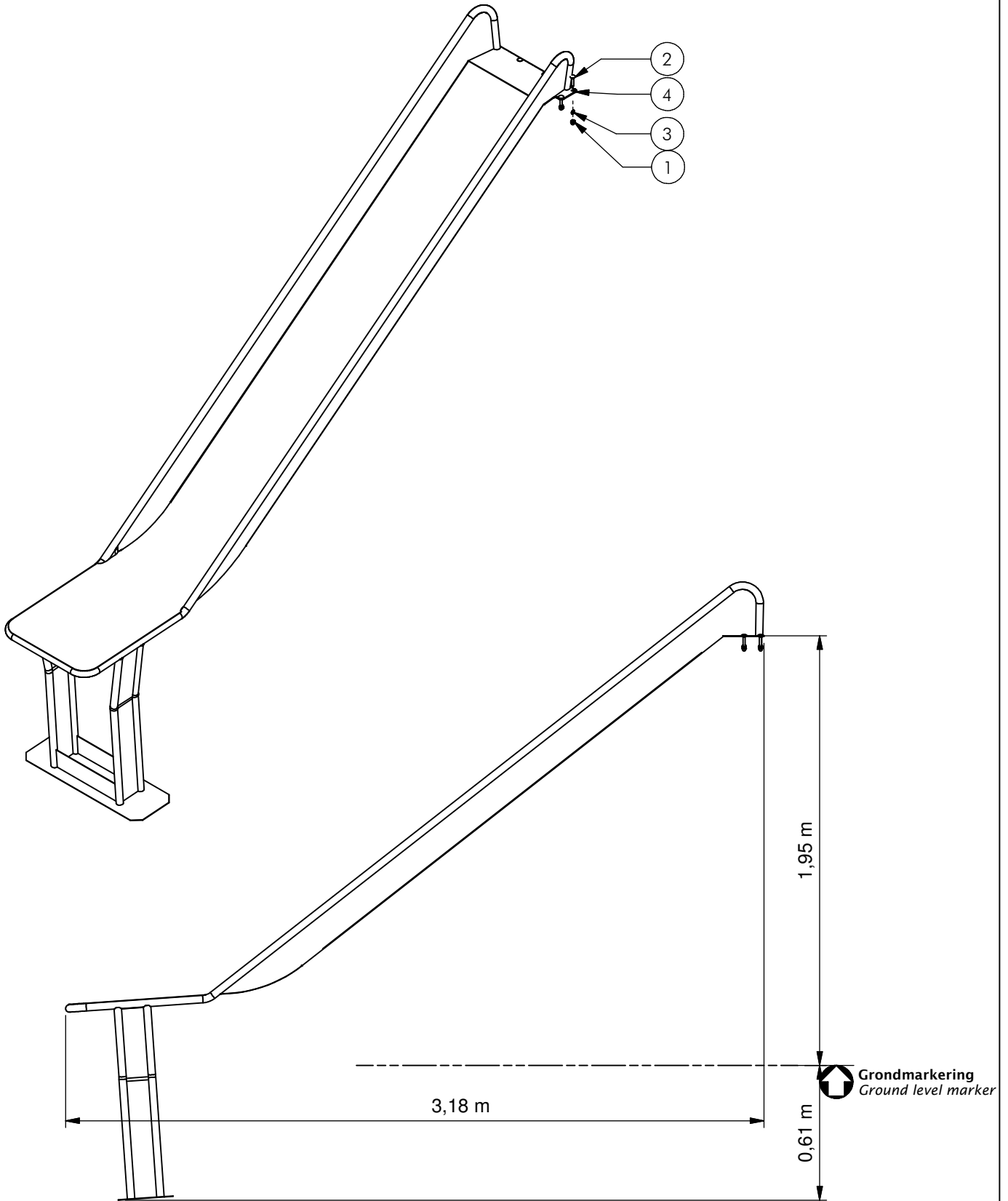
Certificaat nr. Certificate nr.	032709TG_20130418	Dossiernr. File nr.	032709TG
Productomschrijving Product description	Palenwoud		
Evt. nadere aanduidingen Further indications	Vrije valhoogte 2,0 m / Free height of fall 2,0 m		
voor nadere informatie zie bijbehorend rapport met gelijkloidend dossiernr.  for further information see associated report with identical file nr.			
Eigenaar / certificaathouder en adres Owner/certificate holder and address	Boer Speeltoestellen B.V. Hyacintstraat 2 4255 HX Nieuwendijk		
Soort toestel Category of equipment	Speeltoestel / Playground equipment		
Fabrikant Manufacturer	Boer Speeltoestellen B.V. Hyacintstraat 2 4255 HX Nieuwendijk		
Type/Serienummer Type/Serial number	PST.115.002 /	in te vullen door de fabrikant to be filled out by the manufacturer	
Jaar van fabricage Year of construction	vanaf 2012 since		
Leverancier Supplier	Boer Speeltoestellen B.V. Hyacintstraat 2 4255 HX Nieuwendijk		
Jaar van leverantie Year of supply	in te vullen door de leverancier to be filled out by the supplier		
Datum keuring Date of examination	22-01-2013 – 18-04-2013		

TÜV Nederland QA BV, de Waal 21C, NL-5684 PH Best verklaart, dat het bovenaangehaalde toestel voldoet aan de vervaardigingvoorschriften genoemd in het Warenwetbesluit attractie- en speeltoestellen (met als leidraad de normatieve documenten NEN-EN 1176:2008).

TÜV Nederland QA BV declares that the here above mentioned equipment meets the safety and health requirements mentioned in the Dutch law "Warenwetbesluit attractie- en speeltoestellen" (guided by normative documents EN 1176:2008).

Namens het bestuur, For the board,  A.C. Boon Directeur	
---	--





**Let op:** toestel bij voorkeur niet met de glijbaan op het zuiden plaatsen.

**Attention:** it is advisable not to orient playground equipment with the slide facing south

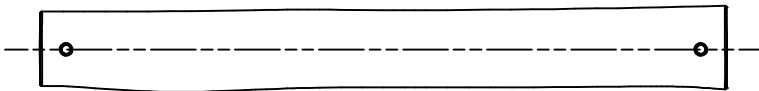
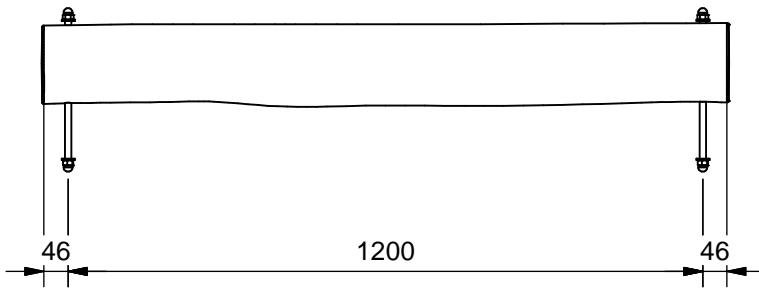
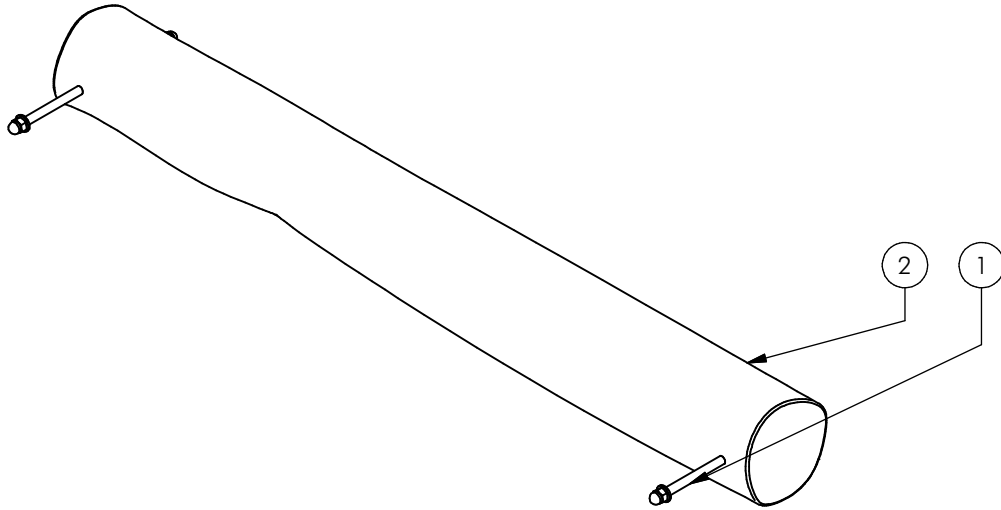
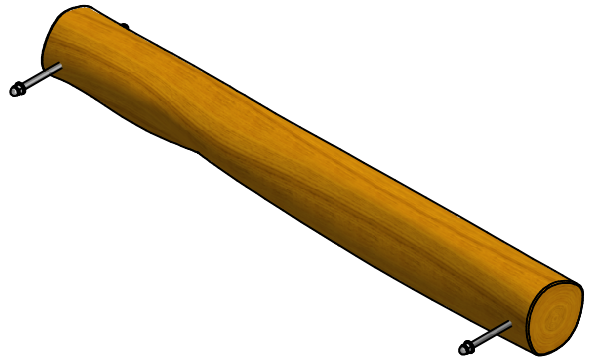
Nr	#	Type	Progr.	Volgnr	Bew.	Rev.	Benaming	Opmerking
1	6	BSR	011	010	020		DOPMOER	BORG RVS M10
2	6	BSR	026	010	050		Slotbout	M10 x 50 - RVS A2-70
3	6	BSR	030	010	002		SLUITRING	M10
4	1	SME	VRB	614	320	C	Glijbaan	195 cm



Benaming / Title: Glijbaan 195 cm  
 Opmerking / Comment: Module Robina  
 Datum / Date: 21-12-2012

Tekening / Drawing

**MOD PST 002 193 A**  
 Samenstelling module / Assembly module



Nr	#	Type	Progr.	Volgnr	Bew.	Rev.	Benaming	Opmerking
1	2	BMR	SET	M12	280		Draadeind+dopm.+ringen	M12, L= 280, RVS A2-70
2	1	OHO	PST	160	013		Paal 14-16	Lengte =1300



Benaming  
Title Dwarsbalk

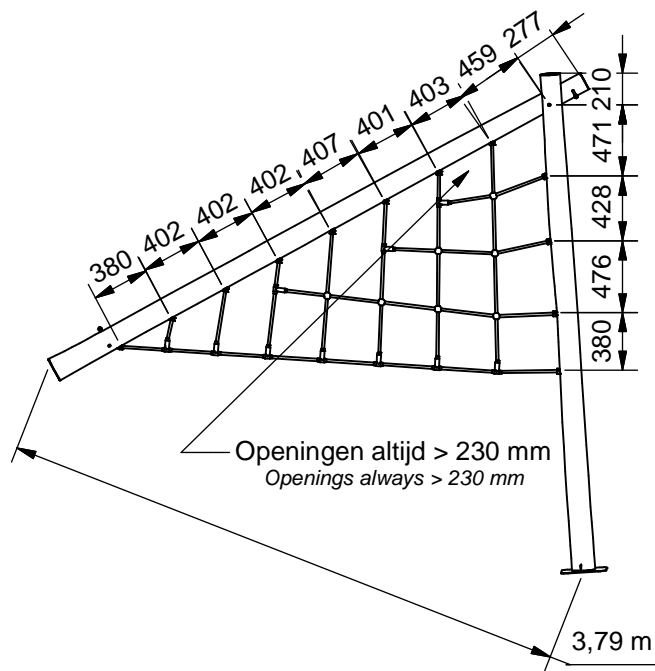
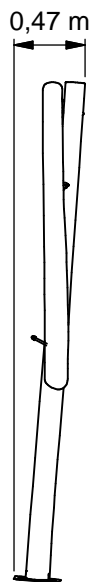
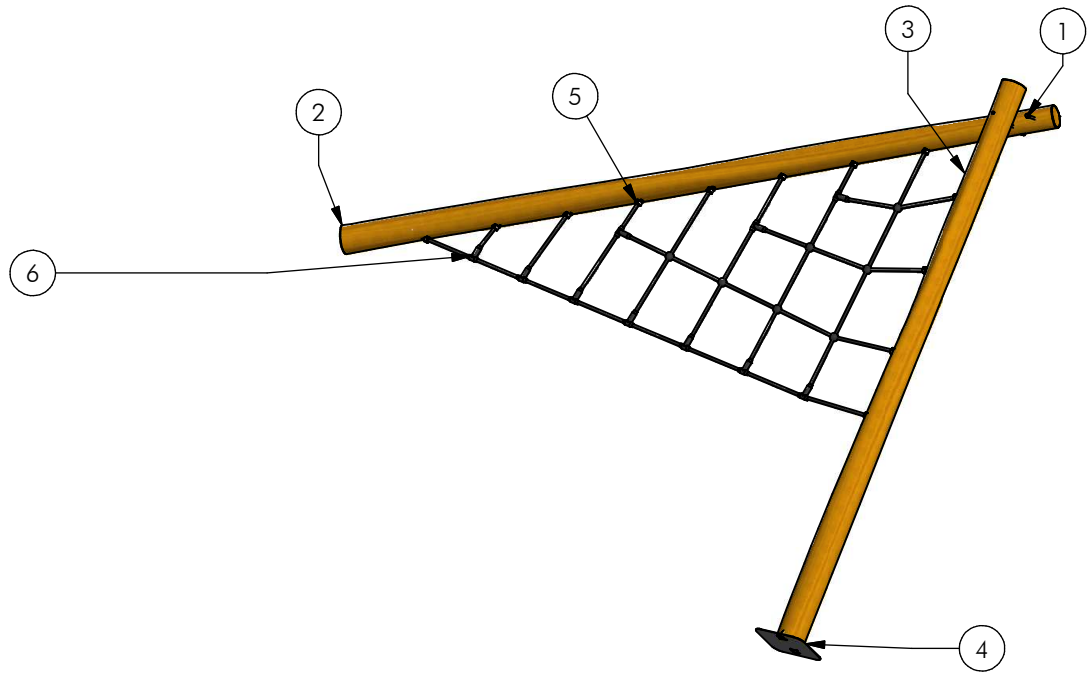
Opmerking  
Comment Adventure play

Datum  
Date 15-5-2014

Tekening  
Drawing

MOD PST 016 045

Samenstelling module Assembly module



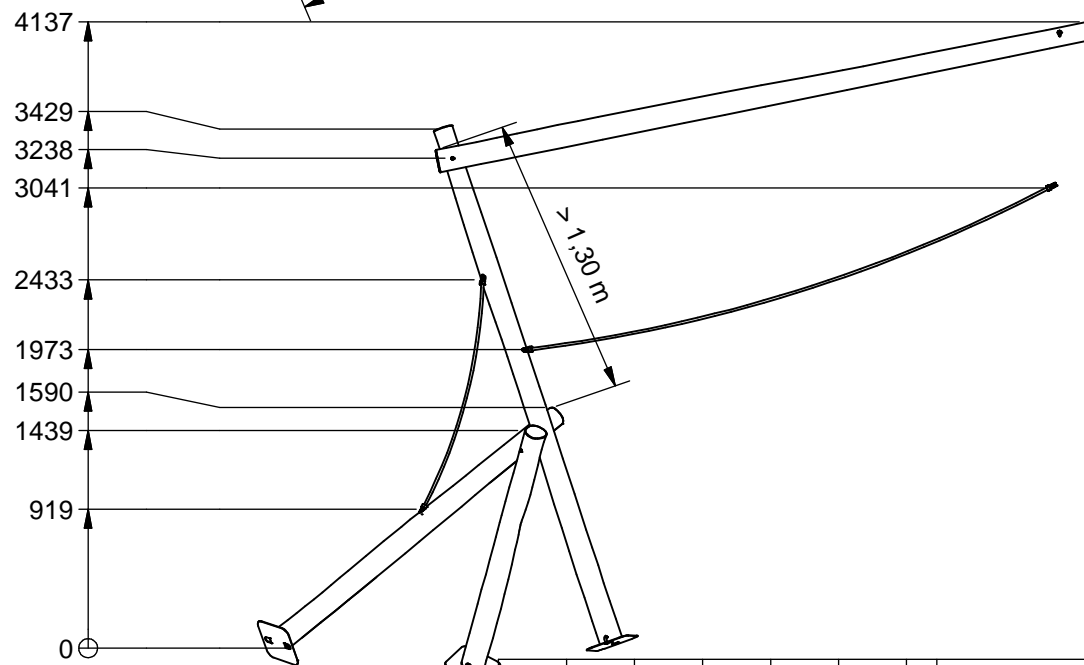
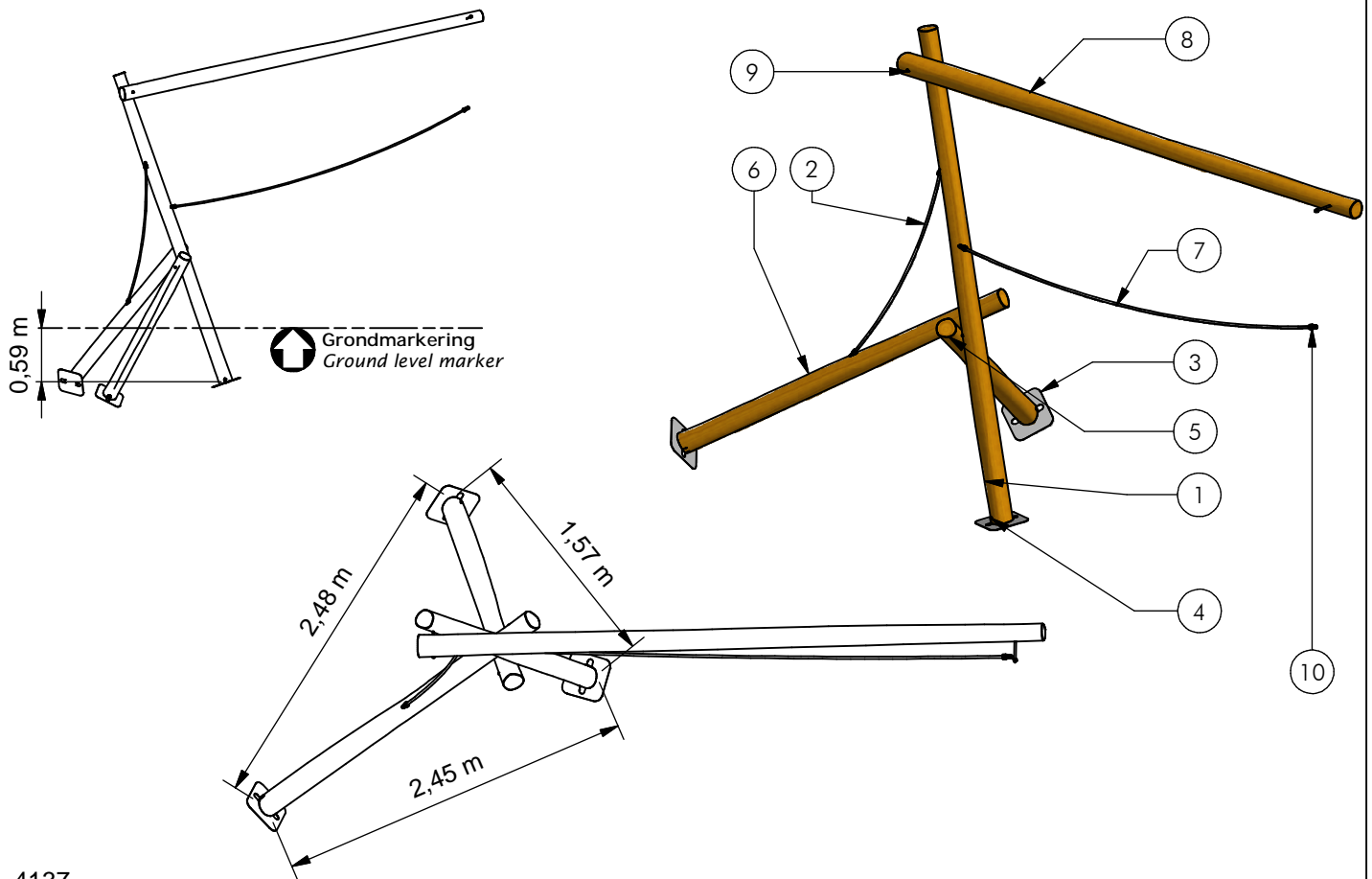
Nr	#	Type	Progr.	Volgnr	Bew.	Rev.	Benaming	Opmerking
1	3	BMR	SET	M12	240		Draadeind+dopm.+ringen	M12, L= 240, RVS A2-70
2	1	OHO	PST	160	040		Paal 14-16	Lengte =4000
3	1	OHO	PST	160	033		Paal 14-16	Lengte =3300
4	1	OME	JGP	001	VZP		Voetplaat	Jungleplay
5	12	SMD	BUS	002	RVS		Bus + VZ schroef	Touw 16 mm
6	1	SNT	PST	016	001	A	Driehoeknet	Adventure Play



Benaming / Title: Driehoek Opklimnet  
 Opmerking / Comment: Adventure Play  
 Datum / Date: 4-7-2014

Tekening / Drawing

**MOD PST 021 001 B**  
 Samenstelling module / Assembly module



10	4	OME	BUS	002	RVS		Bus RVS schroefdraad	touw d16
9	4	BMR	SET	M12	240		Draaideind+dopm.+ringen	M12, L= 240, RVS A2-70
8	1	OHO	PST	160	044		Paal 14-16	Lengte =4400
7	1	ONT	PST	016	400		4	16mm doorsnede
6	1	OHO	PST	160	027		Paal 14-16	Lengte =2700
5	1	OHO	PST	160	020		Paal 14-16	Lengte =2000
4	6	BSV	004	005	050		Schroef verz.	5 x 50 - VZ 8.8
3	3	OME	JGP	001	VZP		Voetplaat	Jungleplay
2	1	ONT	PST	016	005		Touw 1,75m	16mm diameter
1	1	OHO	PST	160	036		Paal 14-16	Lengte =3600
POS	N	TYPE	PROJ.	NR.	BEH.	R	BENAMING	OPMERKING



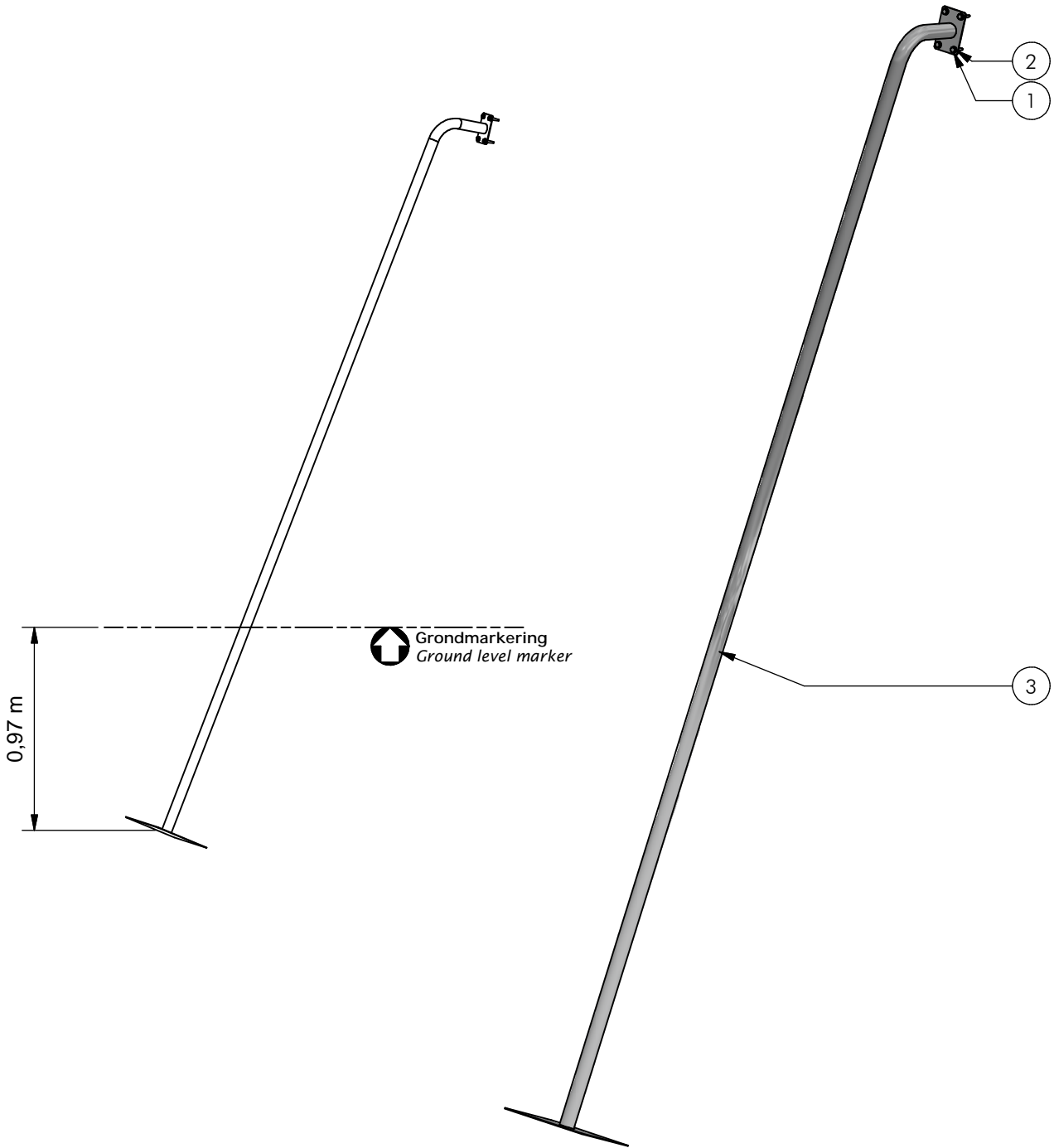
Benaming  
Title Aanbouwtouw

Opmerking  
Comment Adventureplay

Datum  
Date 4-7-2014

Tekening  
Drawing

**MOD PST 022 004 A**  
Samenstelling module Assembly module



Nr	#	Type	Progr.	Volgnr	Bew.	Rev.	Benaming	Opmerking
1	4	BSR	022	010	050		Houtdraadbout	ø10 X 50 - RVS A2-70
2	4	BSR	030	010	002		SLUITRING	M10
3	1	SME	PST	010	320	A	Glijstang 3,8 m	Adventure Play



Benaming  
Title | Glijpaal 3,80 m

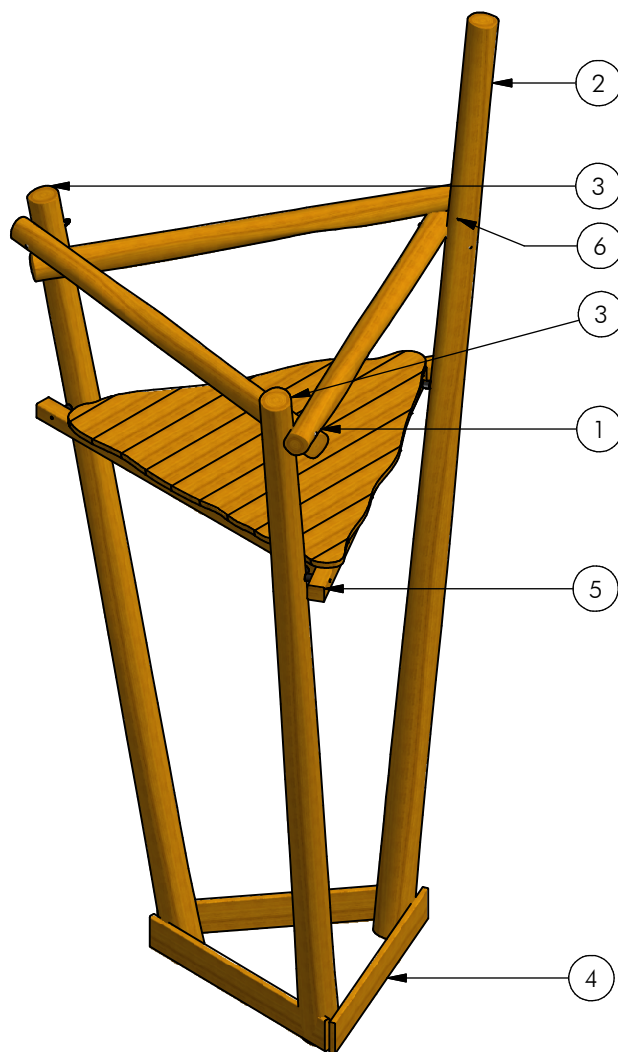
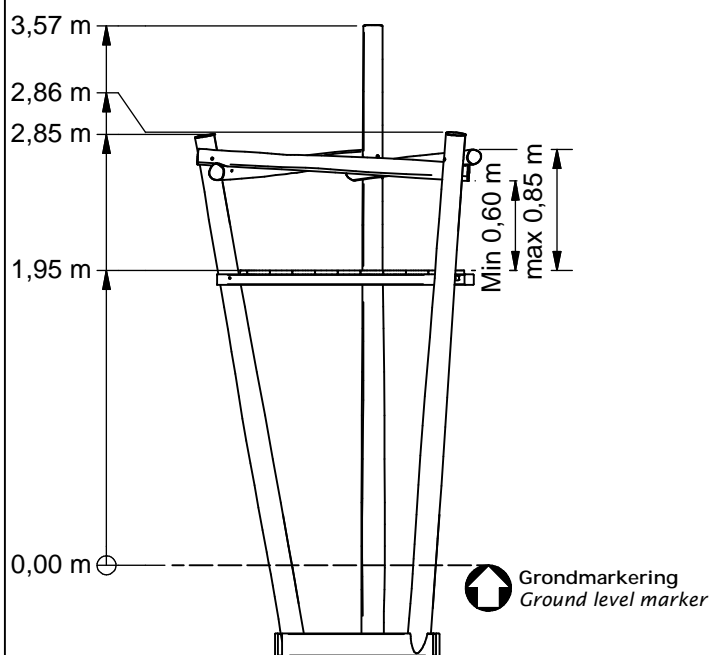
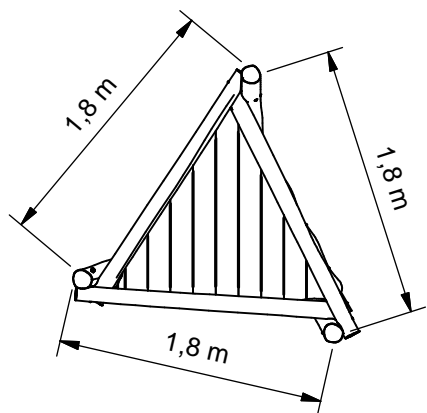
Opmerking  
Comment | Adventure Play

Datum  
Date | 14-2-2014

Tekening  
Drawing

**MOD PST 024 001**

Samenstelling module *Assembly module*



Nr	#	Type	Progr.	Volgnr	Bew.	Rev.	Benaming	Opmerking
1	3	OHO	PST	120	018		Paal 10-12	Lengte =1800
2	1	OHO	PST	160	042		Paal 14-16	Lengte =4200
3	2	OHO	PST	160	035		Paal 14-16	Lengte =3500
4	3	OHO	PST	222	100		Plank 150x25	Lengte = 1000
5	1	SMD	PST	003	004		Vloertje 2m	Adventure Play
6	6	BMR	SET	M12	200		Draadeind+dopm.+ringen	M12, L= 200, RVS A2-70



Benaming  
Title Droehoekstoren 2,0 m

Opmerking  
Comment Palenwoud

Datum  
Date 30-1-2014

Tekening  
Drawing

**MOD PST 030 020 A**  
Samenstelling module Assembly module