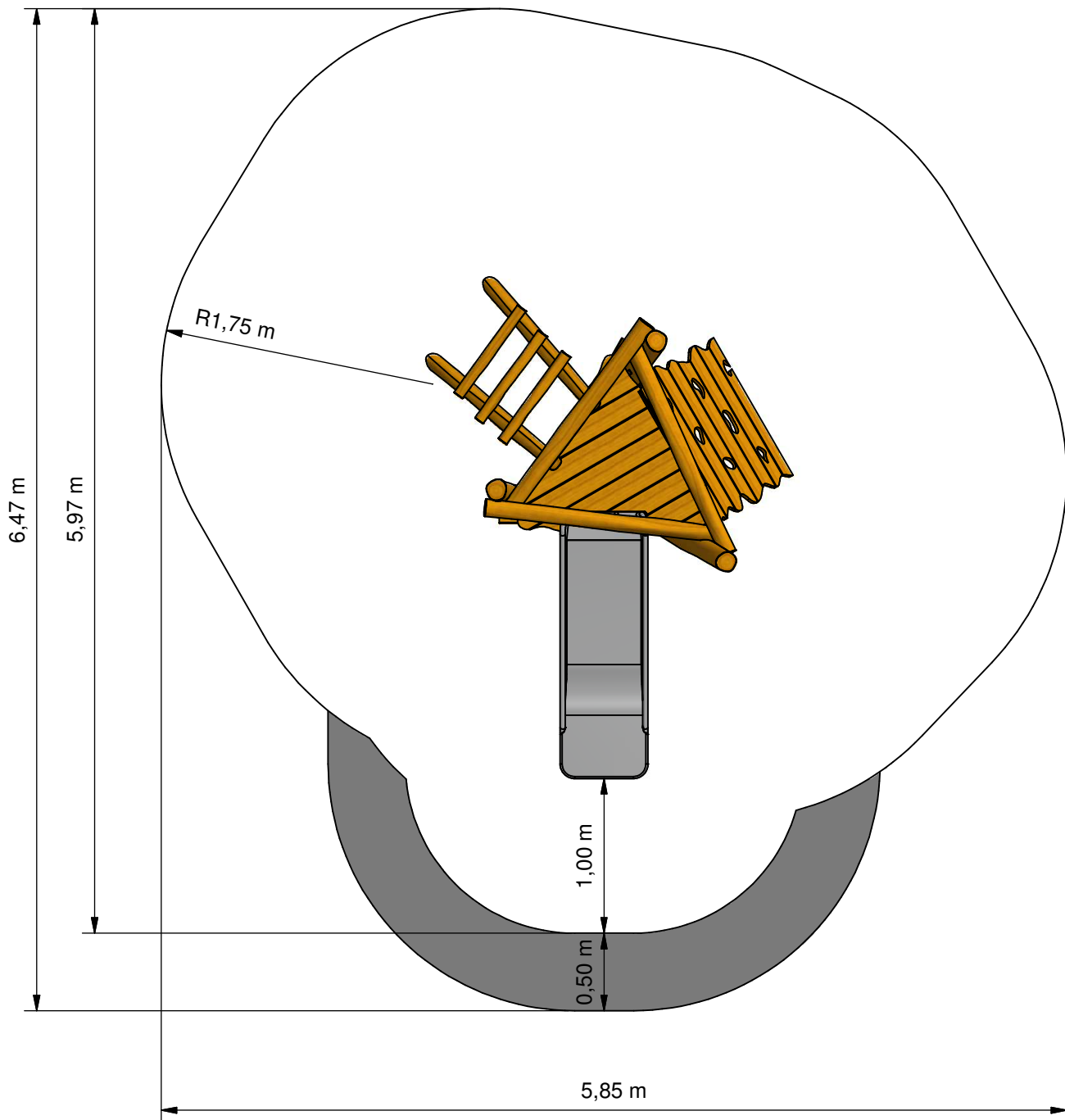




Combination Equipment



PSTE110.007



- Opvangzone
Impact area
- Obstakelvrije zone
Obstacle free zone



Benaming
Title Toren 1,0m

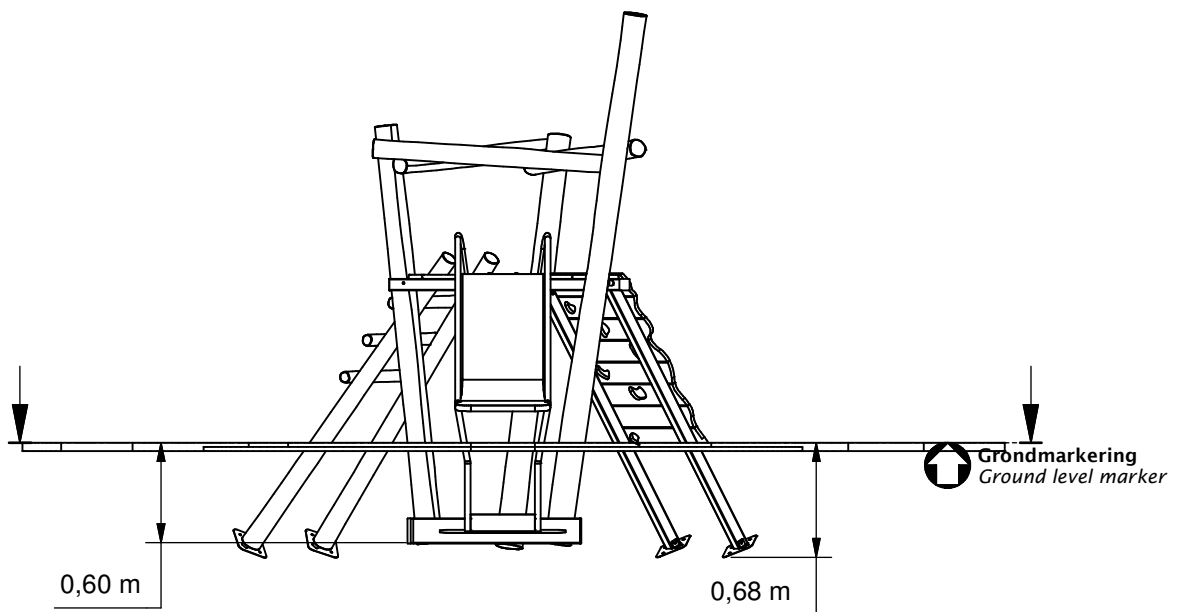
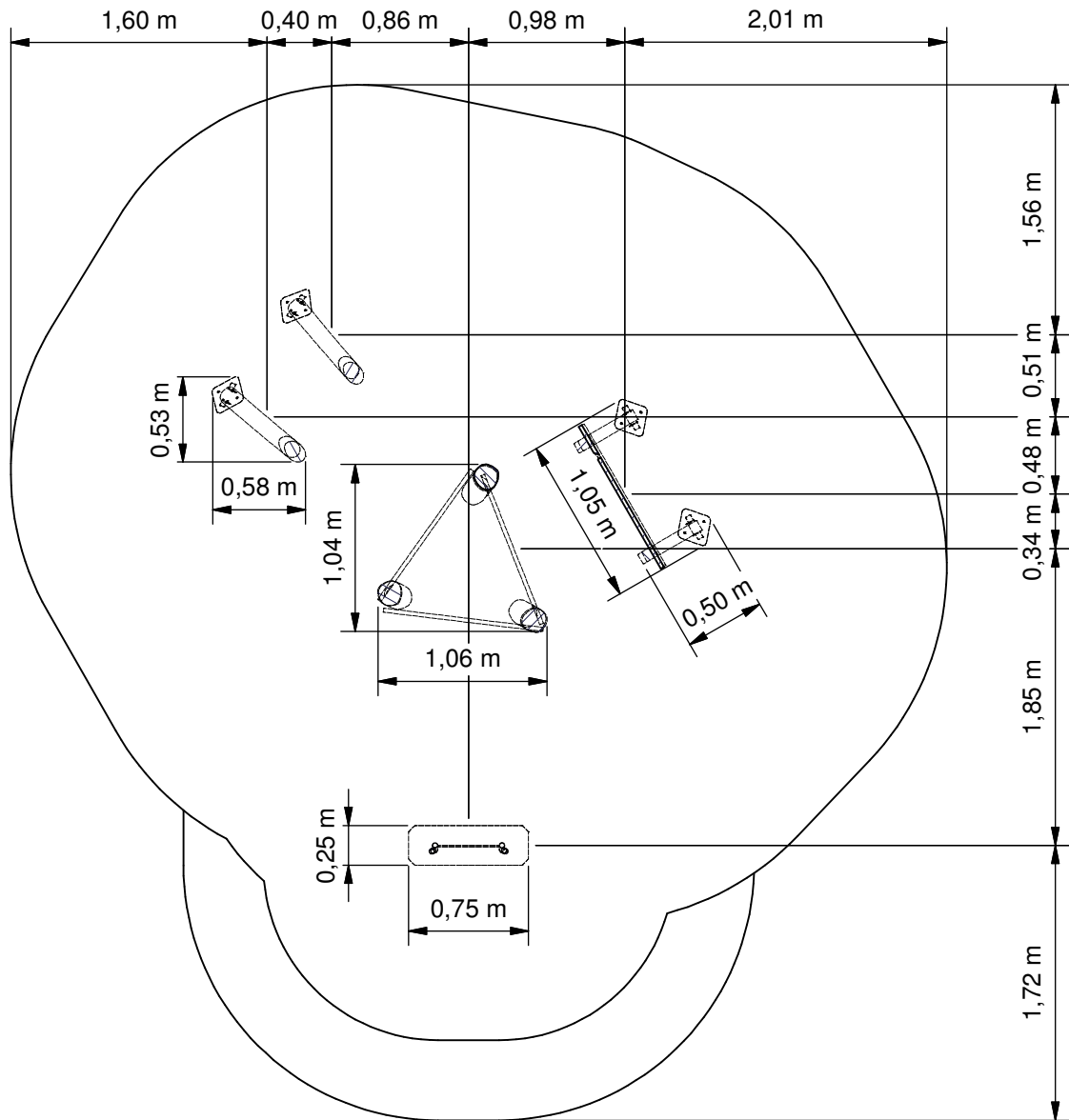
Opmerking
Comment Palenwoud

Datum
Date 19-4-2011

Tekening
Drawing

TOE PST 110 007

Obstakelvrije zone *Obstacle free zone*

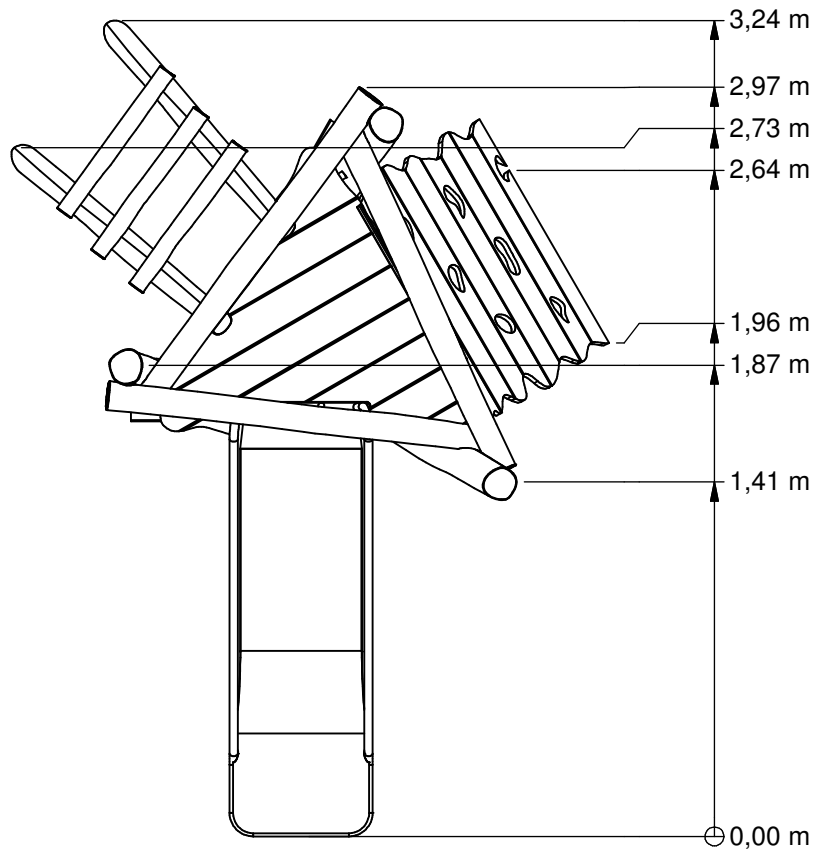


Benaming / Title: Toren 1,0m
 Opmerking / Comment: Palenwoud
 Datum / Date: 19-4-2011

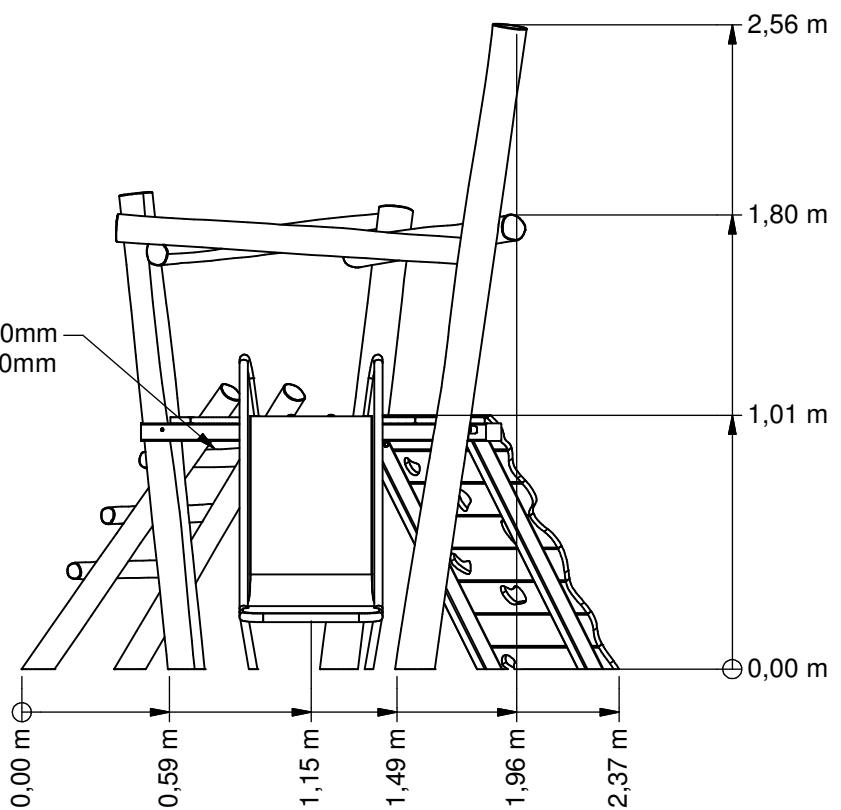
Tekening / Drawing

TOE PST 110 007

Bodemplan Groundplan



Tussen bovenste sport en vloer > 230mm
Between highest rung and floor > 230mm



Benaming
Title Toren 1,0m

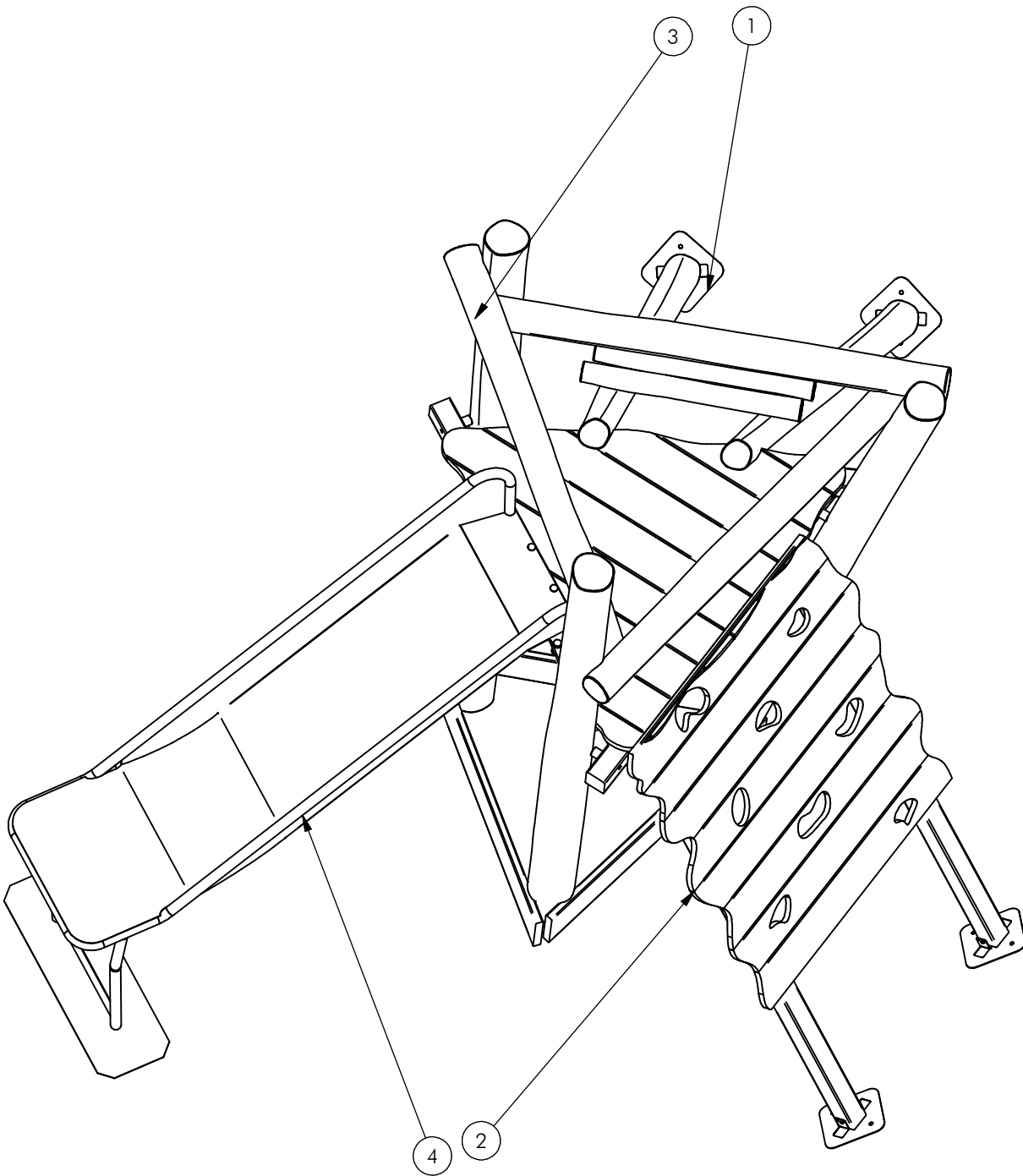
Opmerking
Comment Palenwoud

Datum
Date 19-4-2011

Tekening
Drawing

TOE PST 110 007

Afmetingen Dimensions



| Nr | # | Type | Progr. | Volgnr | Bew. | Rev. | Benaming | Opmerking |
|----|---|------|--------|--------|------|------|--------------|----------------|
| 1 | 1 | MOD | PST | 028 | 001 | B | Ladder 1,0 m | Adventure Play |
| 2 | 1 | MOD | PST | 028 | 004 | A | Klimwand 1m | Adventure Play |
| 3 | 1 | MOD | PST | 030 | 000 | A | Toren 1,0 m | Palenwoud |
| 4 | 1 | MOD | PST | 002 | 190 | A | Glijbaan 1 m | Module Robina |



Benaming
Title Toren 1,0m

Opmerking
Comment Palenwoud

Datum
Date 19-4-2011

Tekening
Drawing

TOE PST 110 007

Modules Modules

Geleverde delen:

- A - Toren
- B - Glijbaan
- C - Klimwand
- D - Ladder

Bevestiging sets:

- 1 - RVS M10 bevestigingsset voor de glijbaan
- 2 - RVS M10 bevestigingsset voor de klimwand
- 3 - RVS M10 bevestigingsset voor de ladder

Montagevolgorde:

- 1 - Graaf de gaten volgens het bodemplan en plaats hierin A
- 2 - Plaats B, bevestig B met 1 aan A
- 3 - Plaats C, bevestig C met 2 aan A
- 4 - Plaats D, bevestig D met 3 aan A
- 5 - Controleer of het toestel voldoet aan de afmetingen zoals op blad 'afmetingen'
- 6 - Dicht de gaten en verdicht het zand

Controles:

- 1 - Correcte opbouw en alle bevestigingsmiddelen
- 2 - De uiterste hoogte van het platform (1,0 m)
- 3 - Controleer de afmetingen van de valbodem t.o.v. het toestel
- 4 - De onderste sport van de ladder moet hoger dan 40 cm boven maaiveld zijn

Supplied parts:

- A - Tower
- B - Slide
- C - Climbing wall
- D - Ladder

Mounting kits:

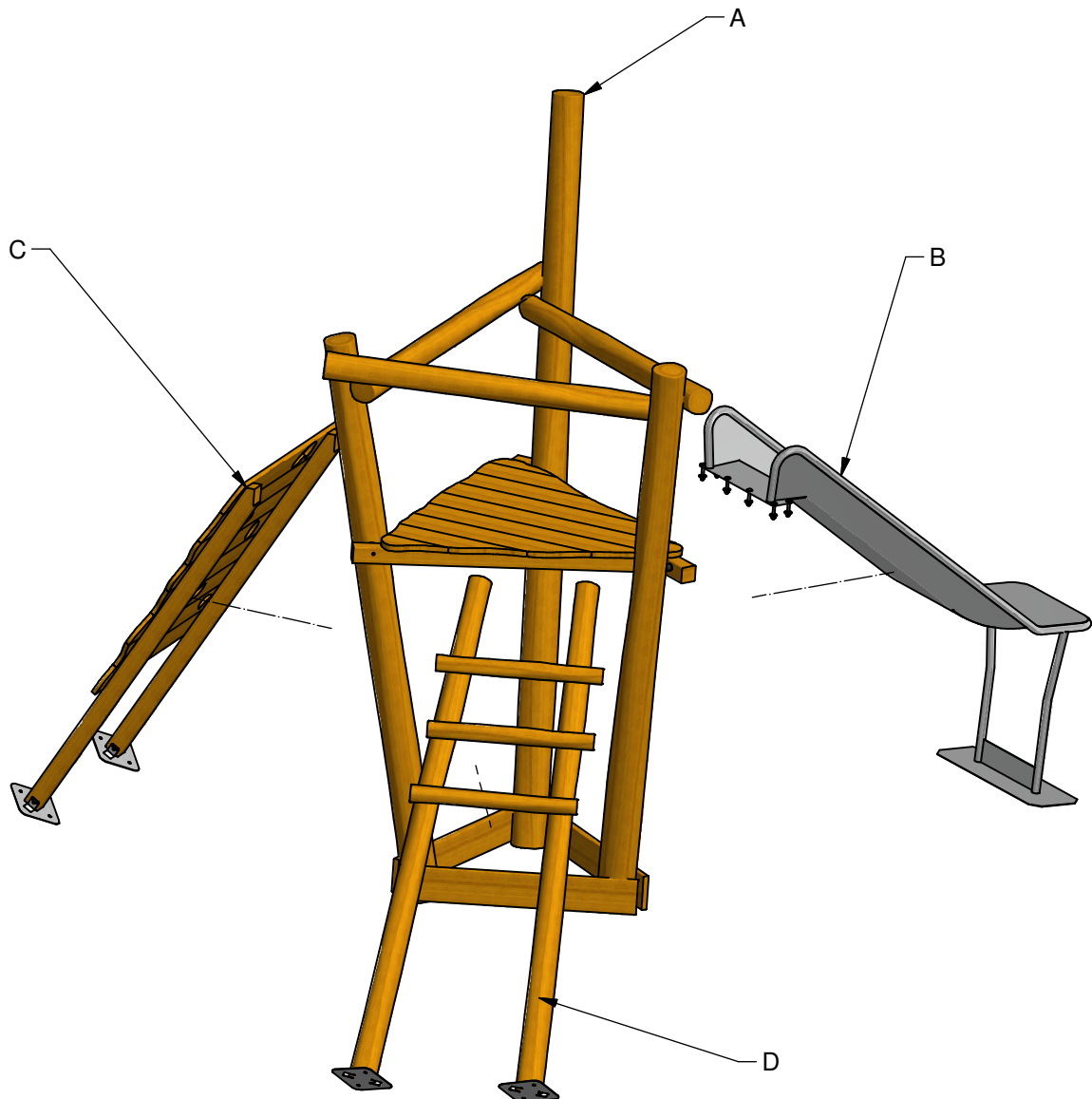
- 1 - Stainless steel M10 fastener set for the slide
- 2 - Stainless steel M10 fastener set for the net
- 3 - Stainless steel M10 fastener set for the ladder

Assembly sequence:

- 1 - Dig the holes according to the ground plan and place A
- 2 - Place B, attach B to A with 1
- 3 - Place C, attach C to A with 2
- 4 - Place D, attach D to A with 3
- 5 - Check that the equipment conforms to the dimensions shown on sheet 'dimensions'
- 6 - Close the holes and compact the sand

Checks:

- 1 - Correct assembly and all the fasteners
- 2 - The maximum height of the platform (100 cm)
- 3 - Check the dimensions of the safety area with regard to the play equipment
- 4 - The lowest rung of the ladder must be more than 40 cm above groundlevel



PSTE110.007

Combination Equipment

LOGBOOK

(Onderstaand logboek kan gebruikt worden om te voldoen aan de eisen, gesteld in artikel 14 van het Warenwetbesluit Attractie- en Speeltoestellen)

| | |
|--|---|
| Type indication | Adventure Play |
| Product code | PSTE110.007 |
| Name of equipment | Palenwoud |
| Maximum height of fall | 1,0 m |
| Year of construction | 2017 |
| Certificate | 032704 |
| inspection authority | TUV Nederland QA BV De Waal 21c, Best - 5684 PH Best |
| Name manufacturer | BOERplay Hyacintstraat 2 - 4255 HX Nieuwendijk Phone: +31 (0)183 40 23 66 Fax: +31 (0)183 40 35 64 |
| name installer | _____ _____ |
| Description of equipment | Combination Equipment |
| Location of equipment | _____ |
| Data about the owner of the play equipment | |
| Name: | _____ |
| Address: | _____ |
| Postcode and town: | _____ |
| Contact person: | _____ |
| Telephone number: | _____ |
| Data about the administrator of the play equipment | |
| Name: | _____ |
| Address: | _____ |
| Postcode and town: | _____ |
| Contact person: | _____ |
| Telephone number: | _____ |

LOGBOOK

Inspection and maintenance intervals



| Nr. | Inspection | Maintenance | months between inspections |
|-----|--|--|----------------------------|
| 1 | Verify equipment's stability, junctions and missing parts. Inspect bolts, screws and nuts for absence, jams, corrosion and wear. | Add missing parts, secure joints, apply missing fixing agent and replace corroded parts. | 1 |
| 2 | Check suspension for wear. | Replace worn parts and/or remove non-functioning parts. | 1 |
| 3 | Inspect rotating parts such as hinges, rolling-element bearings, etc. for wear and acceptability. | Replace worn parts and/or remove non-functioning parts. | 1 |
| 4 | Check wood for splinters, unacceptable damage and signs of rot. Especially at ground level. | Repair damage. Replace affected wood. Smoothen splintered wood and sharp edges. | 1 |
| 5 | Inspect foundation for stability, tearing and coverage. | Restore foundation and covering material. | 3 |
| 6 | Examine rubber and synthetic parts for wear, damage and break. | Replace original parts. | 3 |
| 7 | Inspect metal for corrosion and damage in the coating. | Restore any damaged coating (after removing rust and applying primer). | 6 |
| 8 | Check ropes, cables, chains and nets for wear and damage. Steel cables and nets which are tensioned must be checked for tension. | Replace parts where necessary. Steel cables and nets must be tensioned. | 3 |
| 9 | Inspect equipment for unsafe changes and additions. | Remove unsafe additions and correct unsafe changes. | 1 |
| 10 | Inspect safety surfaces. | Restore and repair where necessary. | 1 |

Remarks

1. If used intensively, all points require extra attention.
2. Extreme weather conditions and locations may require a higher inspection frequency. Discuss this with the supplier.
3. Vandalism-sensitive locations require stricter inspections, possibly daily.
4. Check the terrain regularly for items that do not belong there, are unsafe or may be used wrongly. Examples are poisonous plants, glass shards, etc. Frequency depends on strain.
5. Remember that bad maintenance leads to unsafe conditions and notably faster impoverishment of the playground area.
6. Replacement parts can be ordered at the manufacturer with the part numbers on the module drawing. Drawings can be found in de user guide.
7. The impact area shall be provided with impact attenuating surface according to the specified falling height.
8. This list is conform the CEN-standard "playground equipment and surfacing NEN-EN 1176-7".

Warenwet

Certificaat van Typeonderzoek Type Examination Certificate


afgegeven door issued by

TÜV Nederland QA BV




aangewezen bij ministeriële beschikking van
4 mei 2012, nr. VGP 3113590

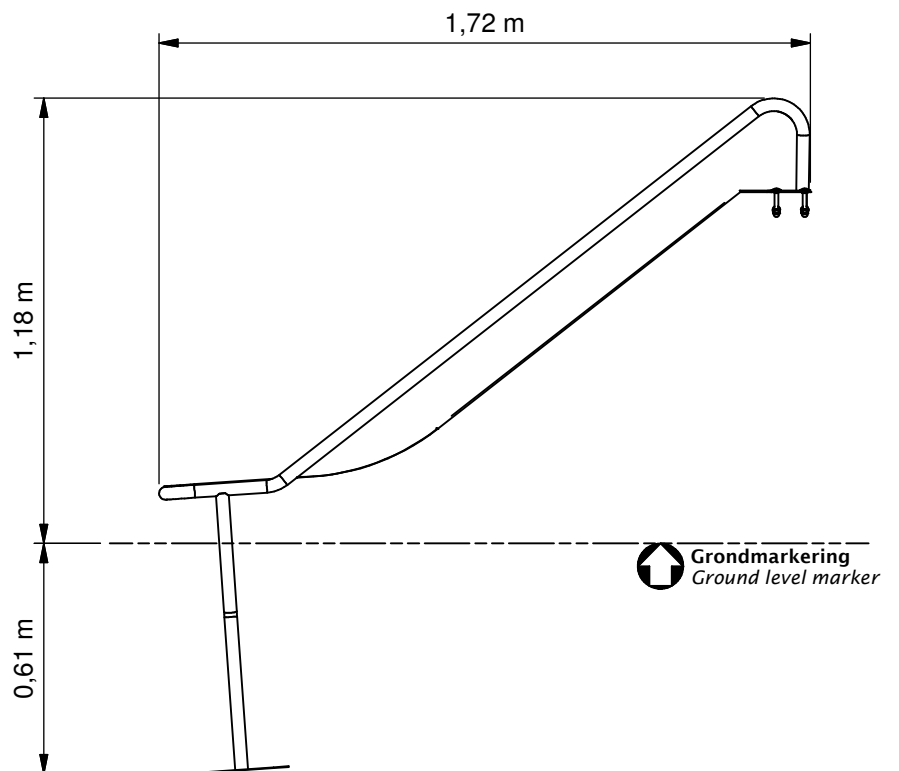
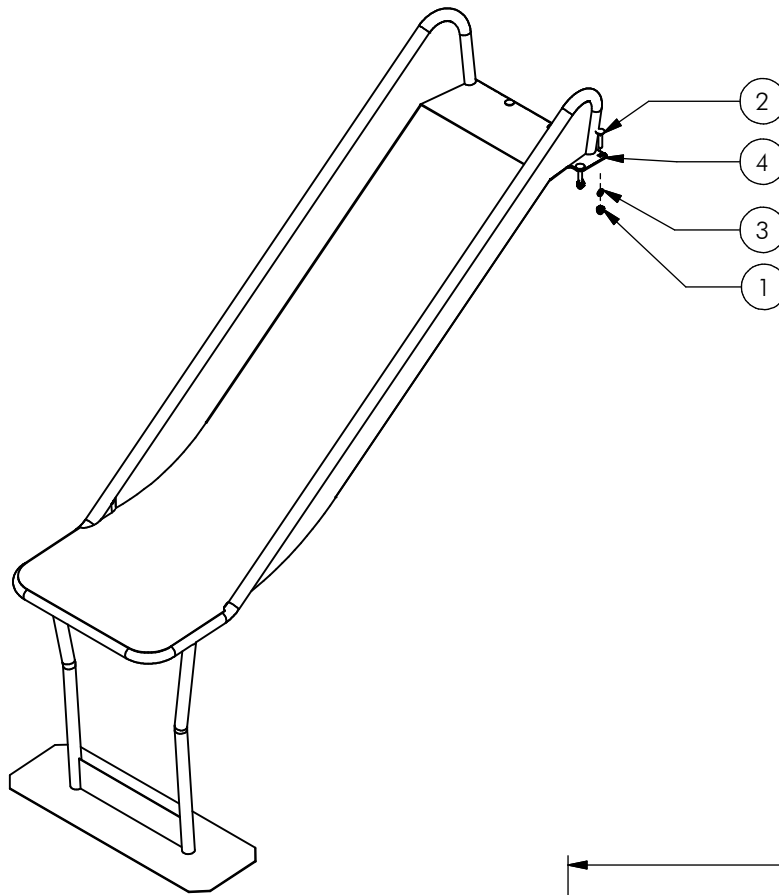
commissioned by departmental order
of 4 May 2012, no. VGP 3113590

| | | | |
|--|--|--|--|
| Certificaat nr. Certificate nr. | 032704TG_20130515 | Dossiernr. File nr. | 032704TG |
| Productomschrijving Product description | Palenwoud | | |
| Evt. nadere aanduidingen Further indications | Vrije valhoogte 1,0 m / Free height of fall 1 m | | |
| voor nadere informatie zie bijbehorend rapport met gelijkloidend dossiernr. for further information see associated report with identical file nr. |  | | |
| Eigenaar / certificaathouder en adres Owner/certificate holder and address | Boer Speeltoestellen B.V. Hyacintstraat 2 4255 HX Nieuwendijk | | |
| Soort toestel Category of equipment | Speeltoestel / Playground equipment | | |
| Fabrikant Manufacturer | Boer Speeltoestellen B.V. Hyacintstraat 2 4255 HX Nieuwendijk | | |
| Type/Serienummer Type/Serial number | PST.110.007 / | in te vullen door de fabrikant to be filled out by the manufacturer | |
| Jaar van fabricage Year of construction | vanaf since 2012 | | |
| Leverancier Supplier | Boer Speeltoestellen B.V. Hyacintstraat 2 4255 HX Nieuwendijk | | |
| Jaar van levering Year of supply | | | in te vullen door de leverancier to be filled out by the supplier |
| Datum keuring Date of examination | 04-02-2013 – 15-05-2013 | | |

TÜV Nederland QA BV, de Waal 21C, NL-5684 PH Best verklaart, dat het bovenaangehaalde toestel voldoet aan de vervaardigingvoorschriften genoemd in het Warenwetbesluit attractie- en speeltoestellen (met als leidraad de normatieve documenten NEN-EN 1176:2008).

TÜV Nederland QA BV declares that the here above mentioned equipment meets the safety and health requirements mentioned in the Dutch law "Warenwetbesluit attractie- en speeltoestellen" (guided by normative documents EN 1176:2008).

| | |
|---|--|
| Namens het bestuur, For the board, A.C. Boon Directeur |  |
|---|--|



Let op: toestel bij voorkeur niet met de glijbaan op het zuiden plaatsen.

Attention: it is advisable not to orient playground equipment with the slide facing south

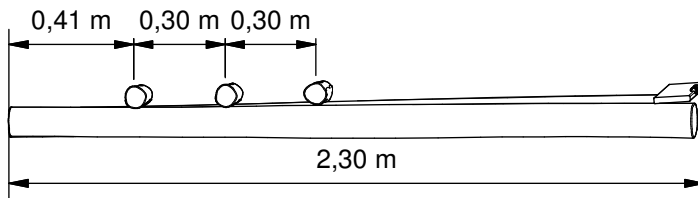
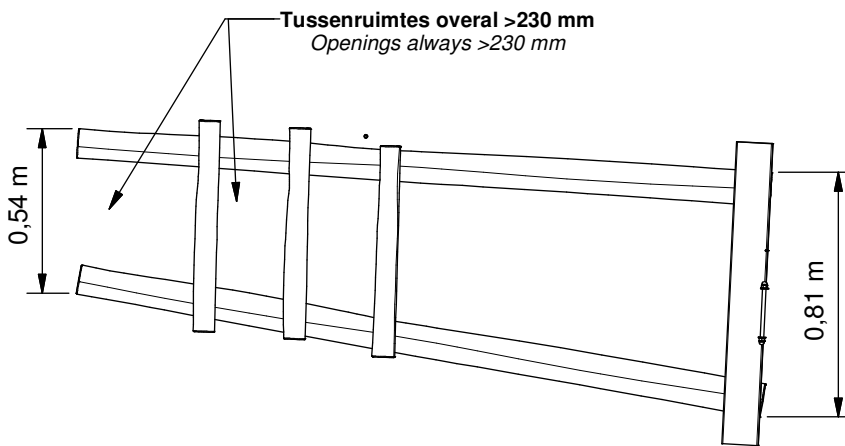
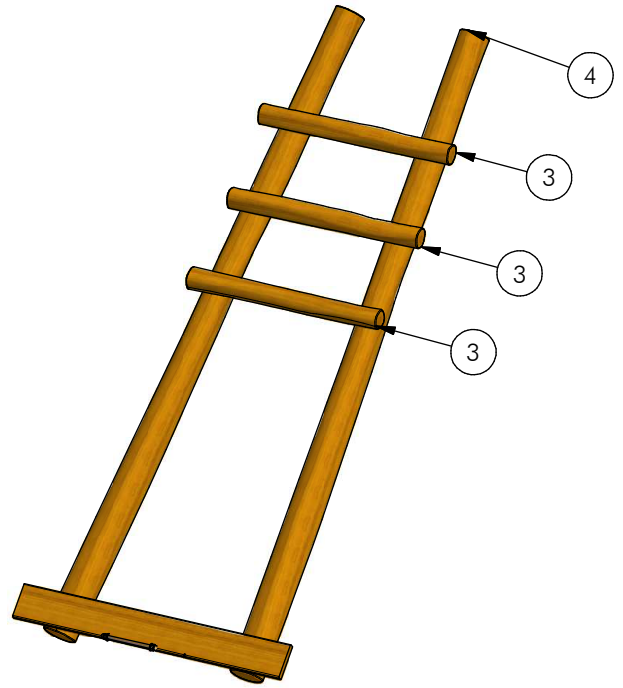
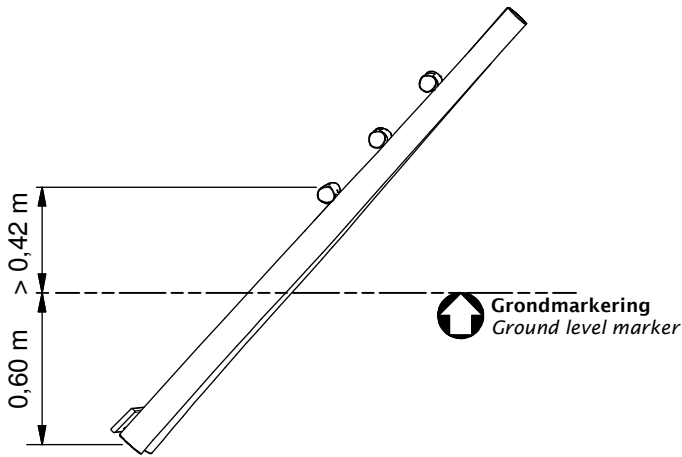
| Nr | # | Type | Progr. | Volgnr | Bew. | Rev. | Benaming | Opmerking |
|----|---|------|--------|--------|------|------|-----------|----------------------|
| 1 | 6 | BSR | 011 | 010 | 020 | | DOPMOER | BORG RVS M10 |
| 2 | 6 | BSR | 026 | 010 | 050 | | Slotbout | M10 x 50 - RVS A2-70 |
| 3 | 6 | BSR | 030 | 010 | 002 | | SLUITRING | M10 |
| 4 | 1 | SME | VRB | 611 | 320 | B | Glijbaan | 93 cm |



Benaming / Title: Glijbaan 1 m
 Opmerking / Comment: Module Robina
 Datum / Date: 20-8-2013

Tekening / Drawing

MOD PST 002 190 A
 Samenstelling module Assembly module



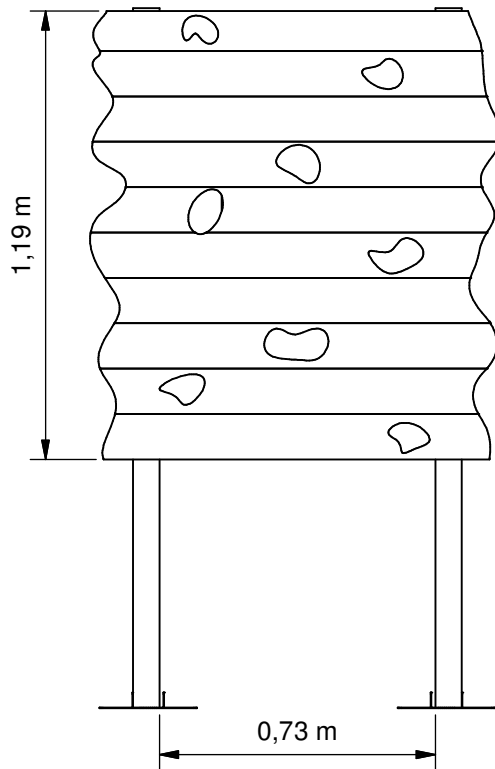
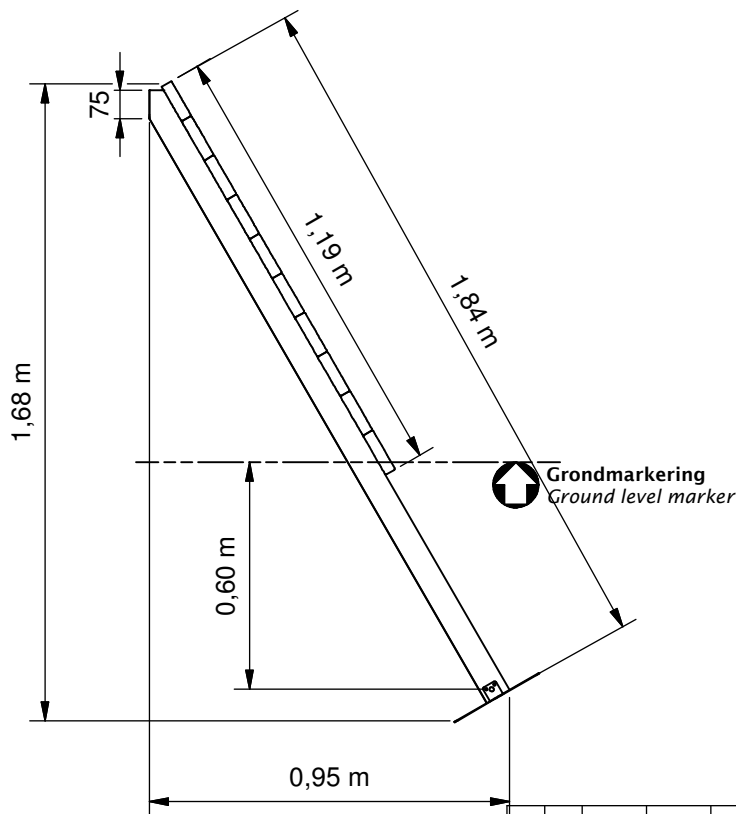
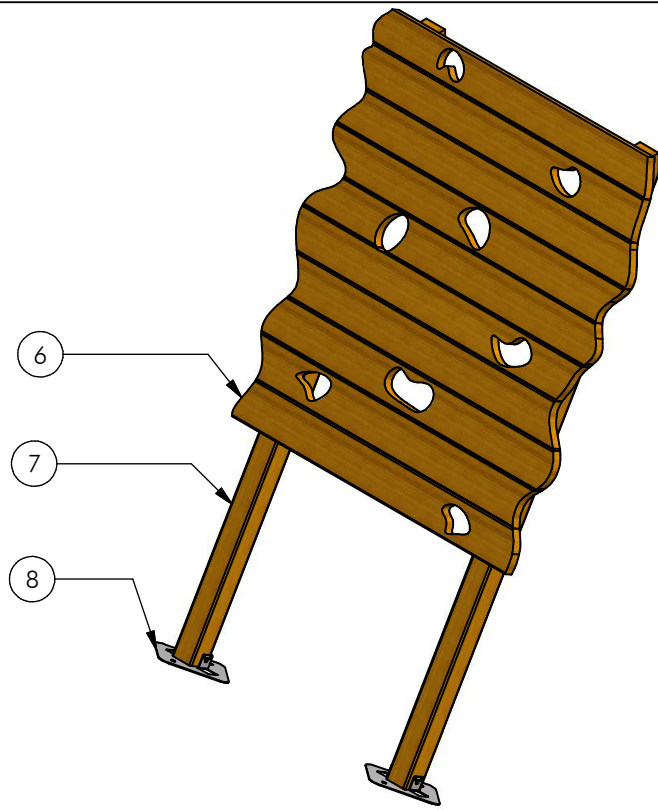
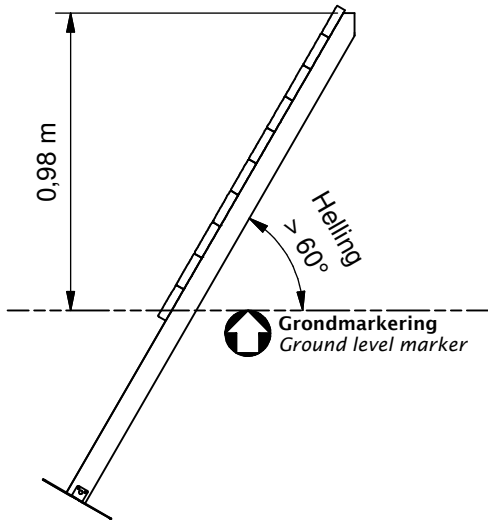
| Nr. | # | Type | Progr. | Volgnr. | Bew. | Rev. | Benaming | Opmerking |
|-----|---|------|--------|---------|------|------|------------------------|------------------------|
| 1 | 8 | BMR | SET | M12 | 180 | | Slotbout+dopm.+ringen | M12, L= 180, RVS A2-70 |
| 2 | 6 | BSR | 002 | 005 | 070 | | Schroef Assy | 5 x 70 - RVS A2-70 |
| 3 | 3 | OHO | PST | 080 | 007 | | Paal 6 | Lengte =700 |
| 4 | 2 | OHO | PST | 120 | 023 | | Paal 10-12 | Lengte =2300 |
| 5 | 1 | OHO | PST | 211 | 100 | | Standaard plank 120x20 | Lengte = 1000 |



Benaming / Title: Ladder 1,0 m
 Opmerking / Comment: Adventure Play
 Datum / Date: 3-4-2013

Tekening / Drawing

MOD PST 028 001 B
 Samenstelling module / Assembly module



Gaten afftekenen met klimreep.

Maximale gat grootte:

□ 8 x 14 cm of Ø 12 cm

| Nr | # | Type | Progr. | Volgnr | Bew. | Rev. | Benaming | Opmerking |
|----|----|------|--------|--------|------|------|-----------------------|----------------------|
| 1 | 32 | BSR | 002 | 005 | 070 | | Schroef Assy | 5x70 RVS A2 70 |
| 2 | 20 | BSR | 002 | 005 | 045 | | Schroef Assy | 5 x 45 - RVS A2-70 |
| 3 | 1 | BSR | 022 | 010 | 050 | | Houtdraadbout | ø10 X 50 - RVS A2-70 |
| 4 | 1 | BSR | 030 | 010 | 002 | | SLUITRING | M10 |
| 5 | 1 | OHO | PST | 212 | 110 | | Plank 120x20 | Lengte = 1100 |
| 6 | 10 | OHO | PST | 221 | 120 | | Standaardplank 120x30 | Lengte = 1200 |
| 7 | 2 | OHO | PST | 307 | 023 | | Paal L= 1850 | 70x70 Robinia |
| 8 | 2 | OME | UKP | 615 | VZP | B | Voetplaat | Ukkepek |



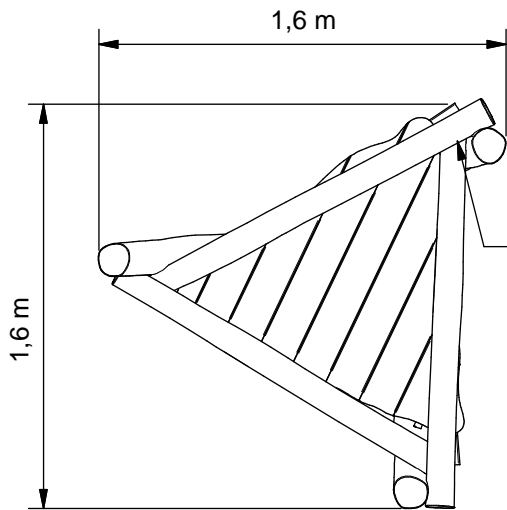
Benaming
Title Klimwand 1m

Opmerking
Comment Adventure Play

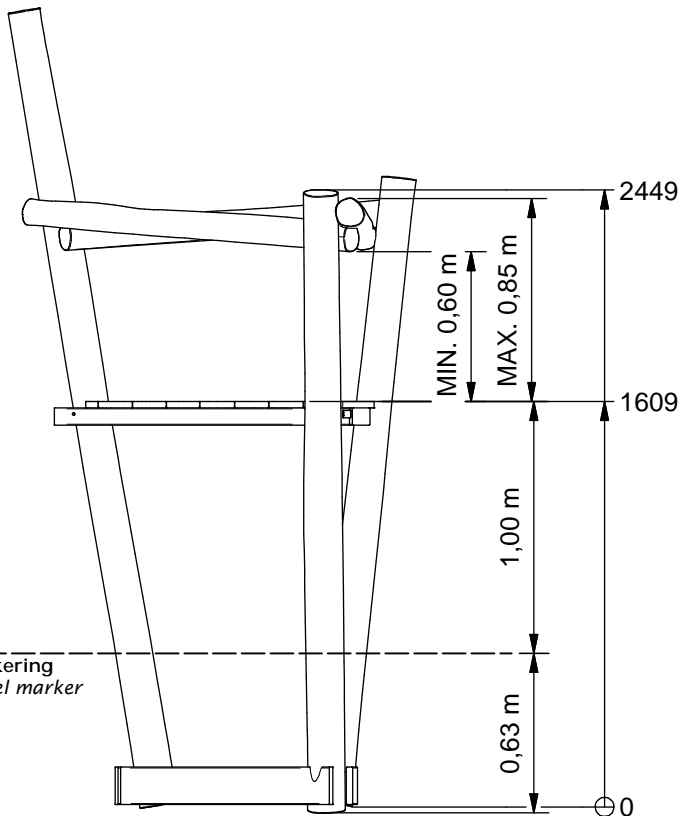
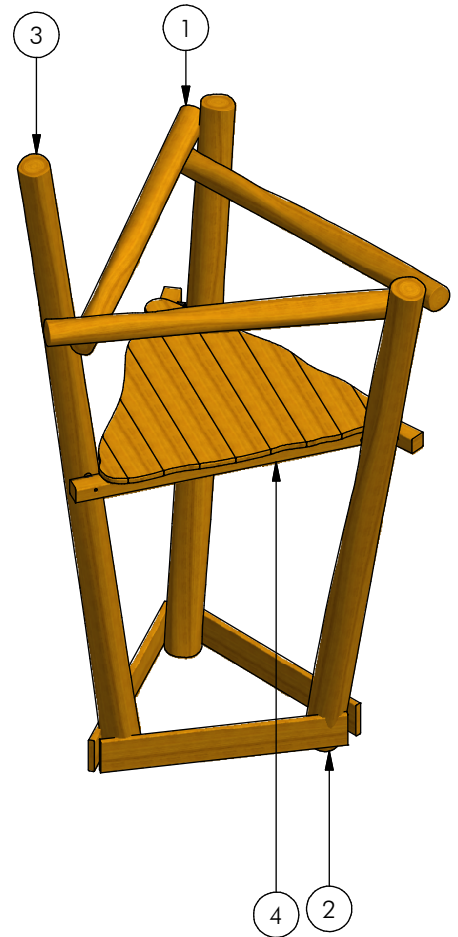
Datum
Date 3-9-2014

Tekening
Drawing

MOD PST 028 004 A
Samenstelling module Assembly module



Openingen altijd > Ø25
Openings always > Ø25



Grondmarkering
Ground level marker

| | | | | | | | | |
|-----|---|------|------|-----|------|---|--------------|----------------|
| 5 | 3 | OHO | PST | 222 | 100 | | Plank 150x25 | Lengte = 1000 |
| 4 | 1 | SMD | PST | 003 | 002 | | Vloertje 1m | Adventure Play |
| 3 | 1 | OHO | PST | 160 | 032 | | Paal 14-16 | Lengte =3200 |
| 2 | 2 | OHO | PST | 160 | 025 | | Paal 14-16 | Lengte =2500 |
| 1 | 3 | OHO | PST | 120 | 015 | | Paal 10-12 | Lengte =1500 |
| POS | N | TYPE | PROJ | NR. | BEH. | R | BENAMING | OPMERKING |



Benaming
Title Toren 1,0 m

Opmerking
Comment Palenwoud

Datum
Date 29-1-2014

Tekening
Drawing

MOD PST 030 000 A
Samenstelling module Assembly module