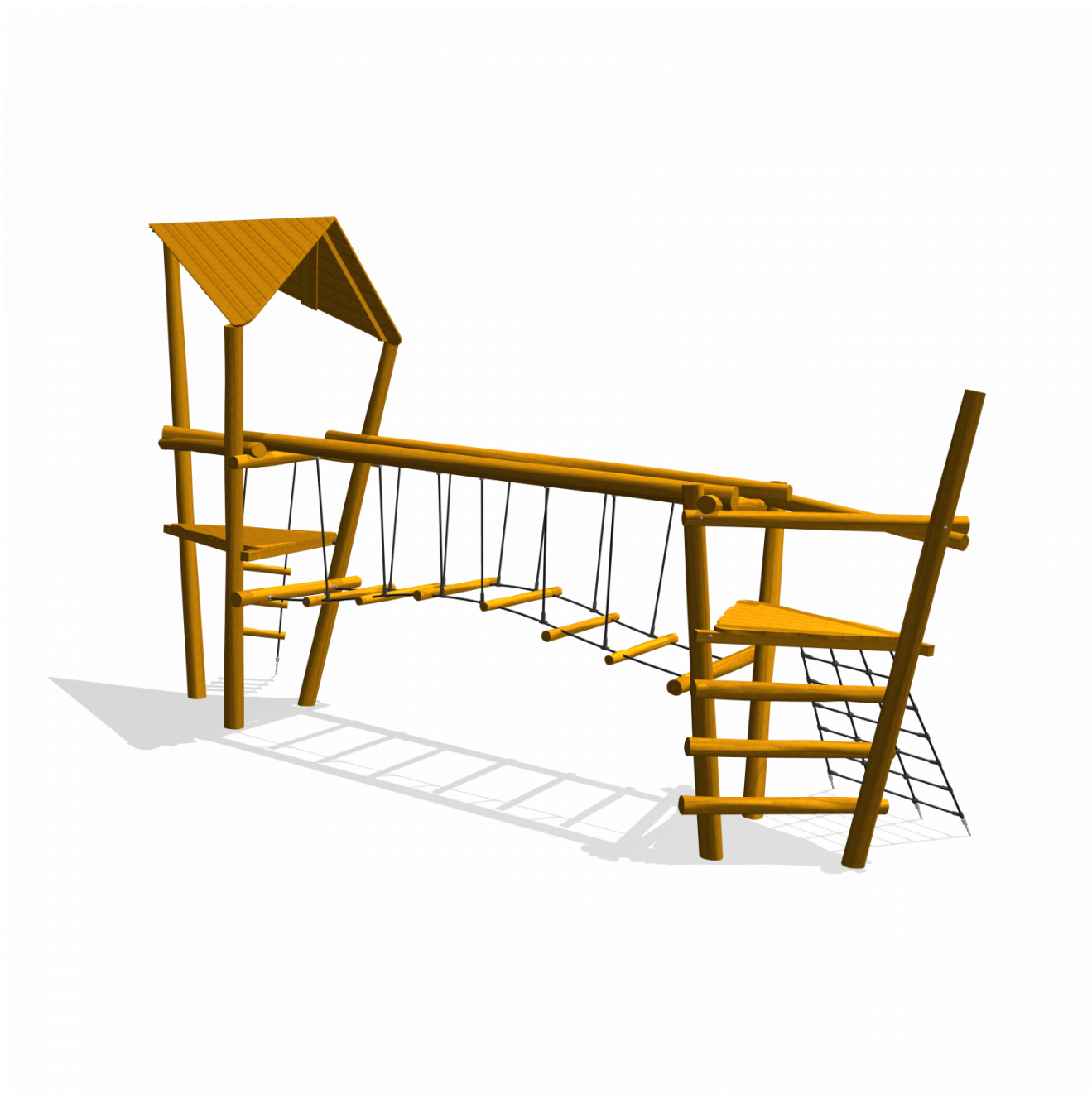
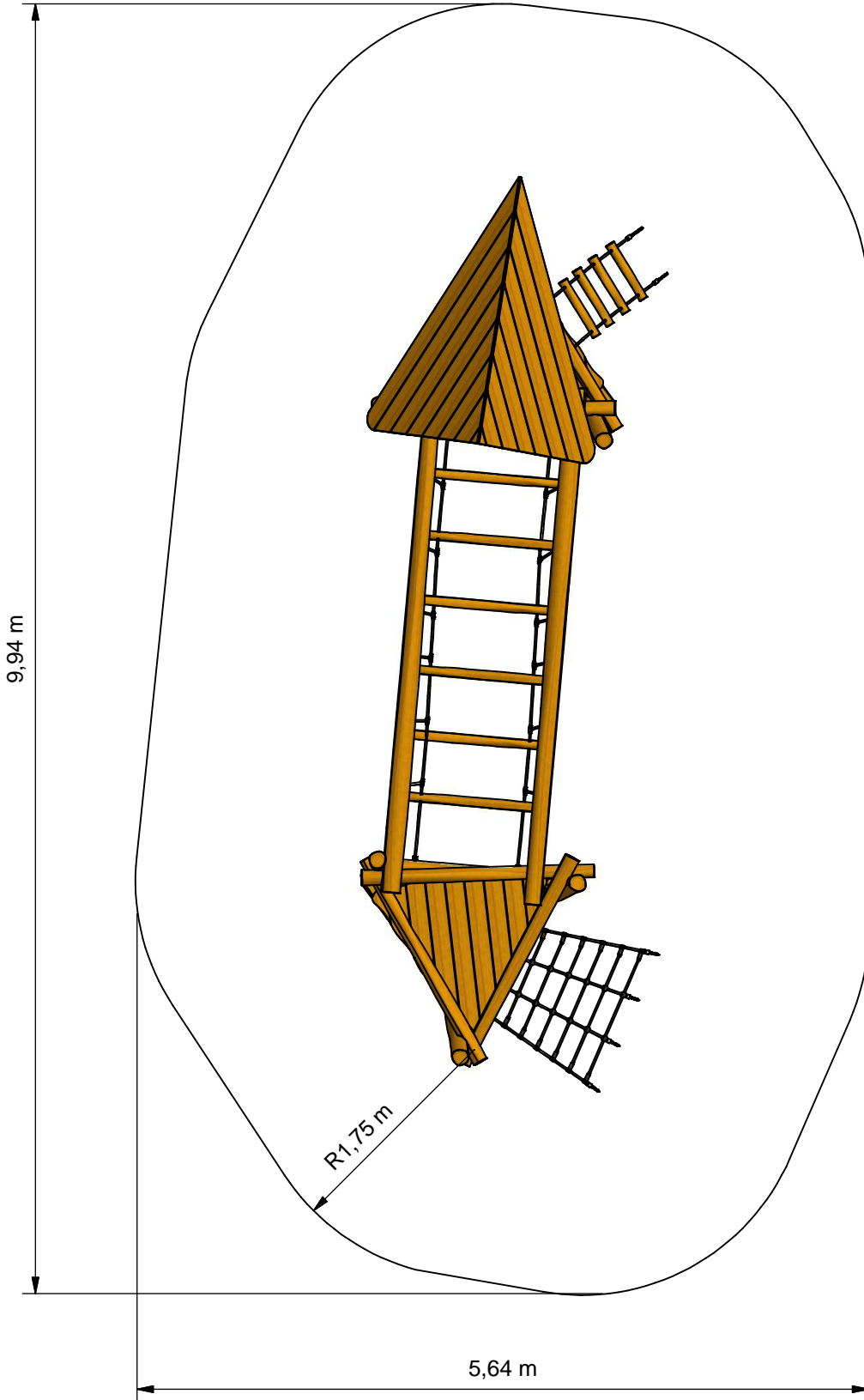




Combination Equipment



PSTE120.005



- Opvangzone
Impact area
- Obstakelvrije zone
Obstacle free zone



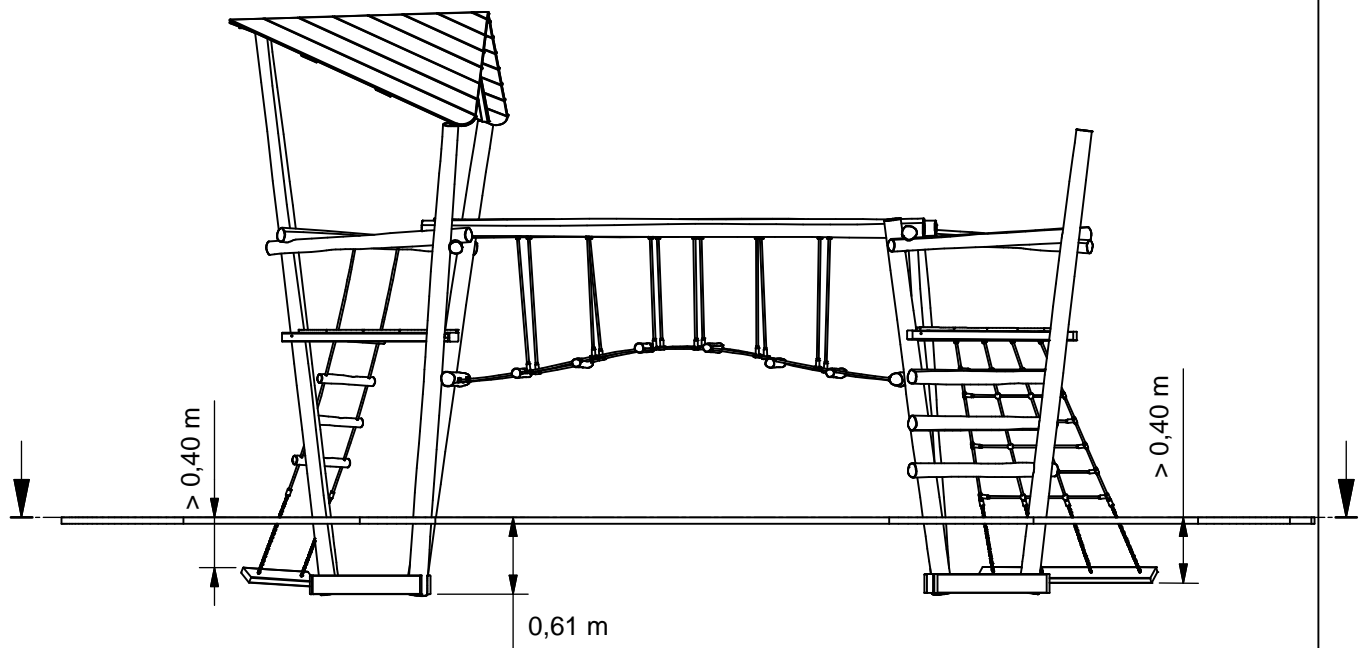
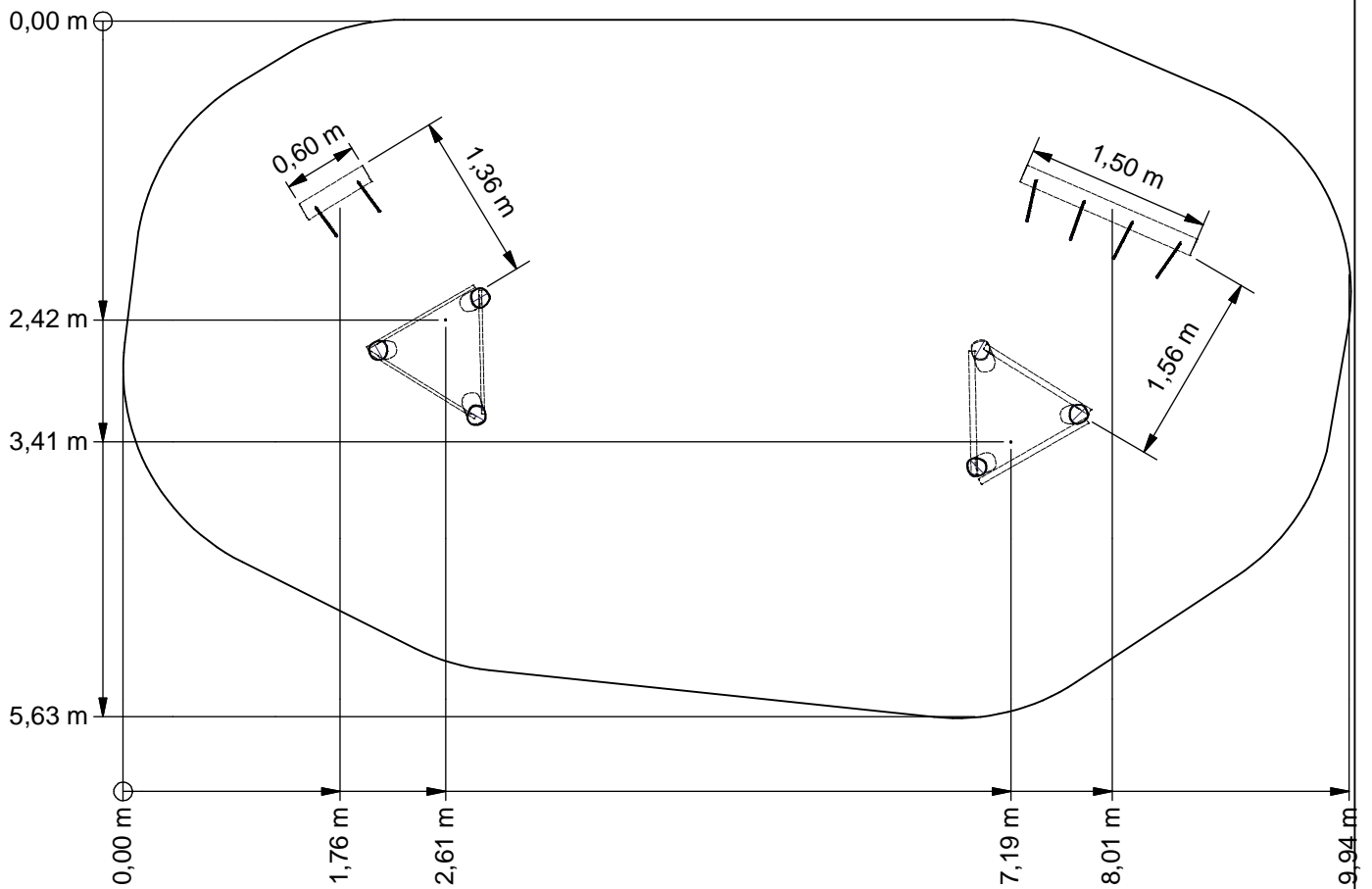
Benaming
Title Palenwoud

Opmerking
Comment Adventure Play

Datum
Date 24-9-2013

Tekening
Drawing

TOE PST 120 005 A
Obstakelvrije zone *Obstacle free zone*



Benaming
Title Palenwoud

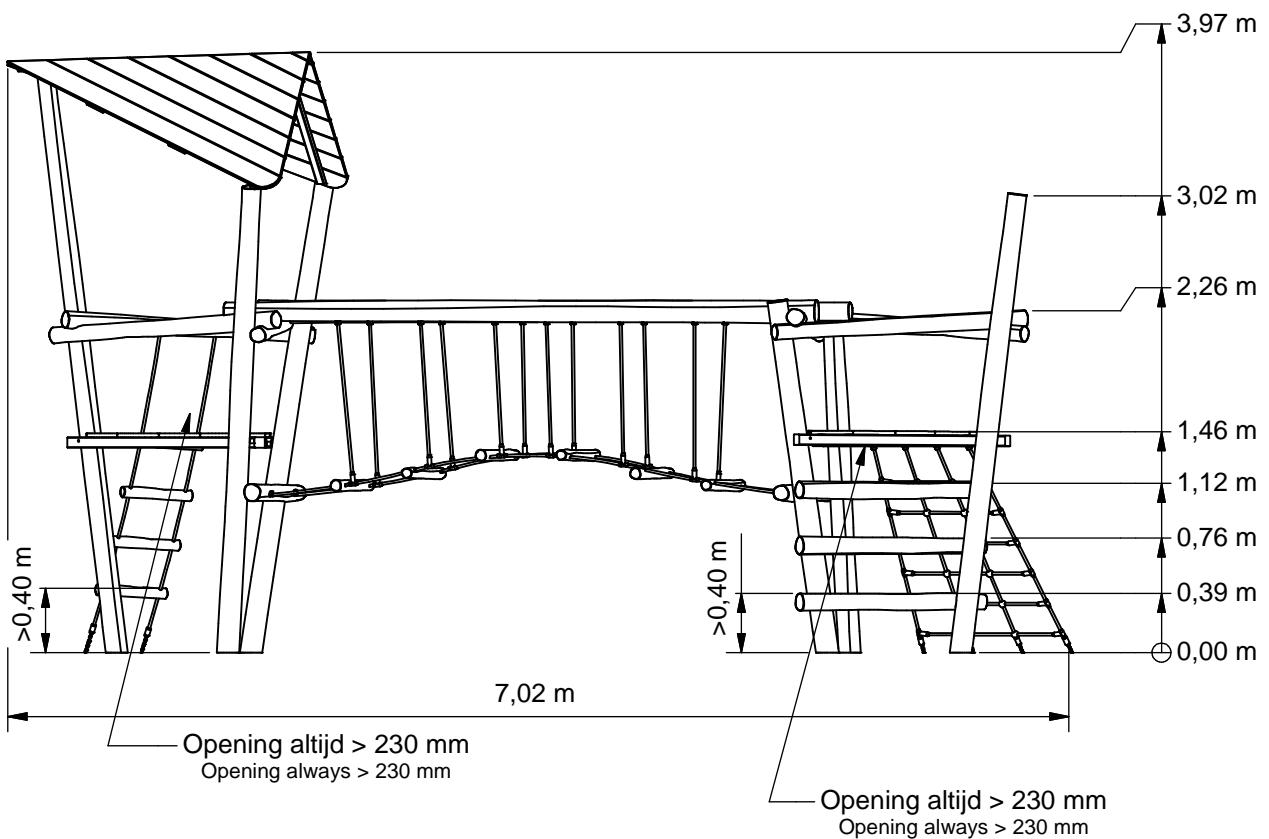
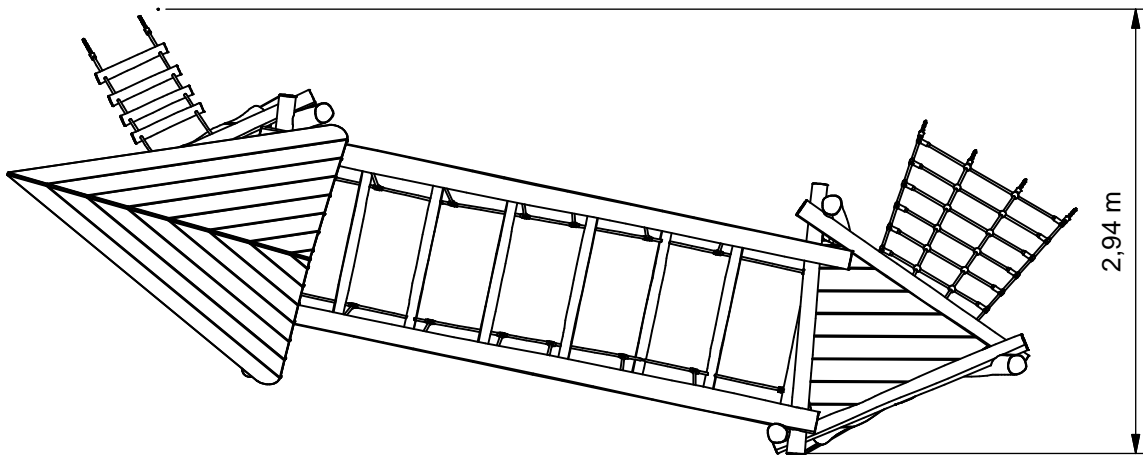
Opmerking
Comment Adventure Play

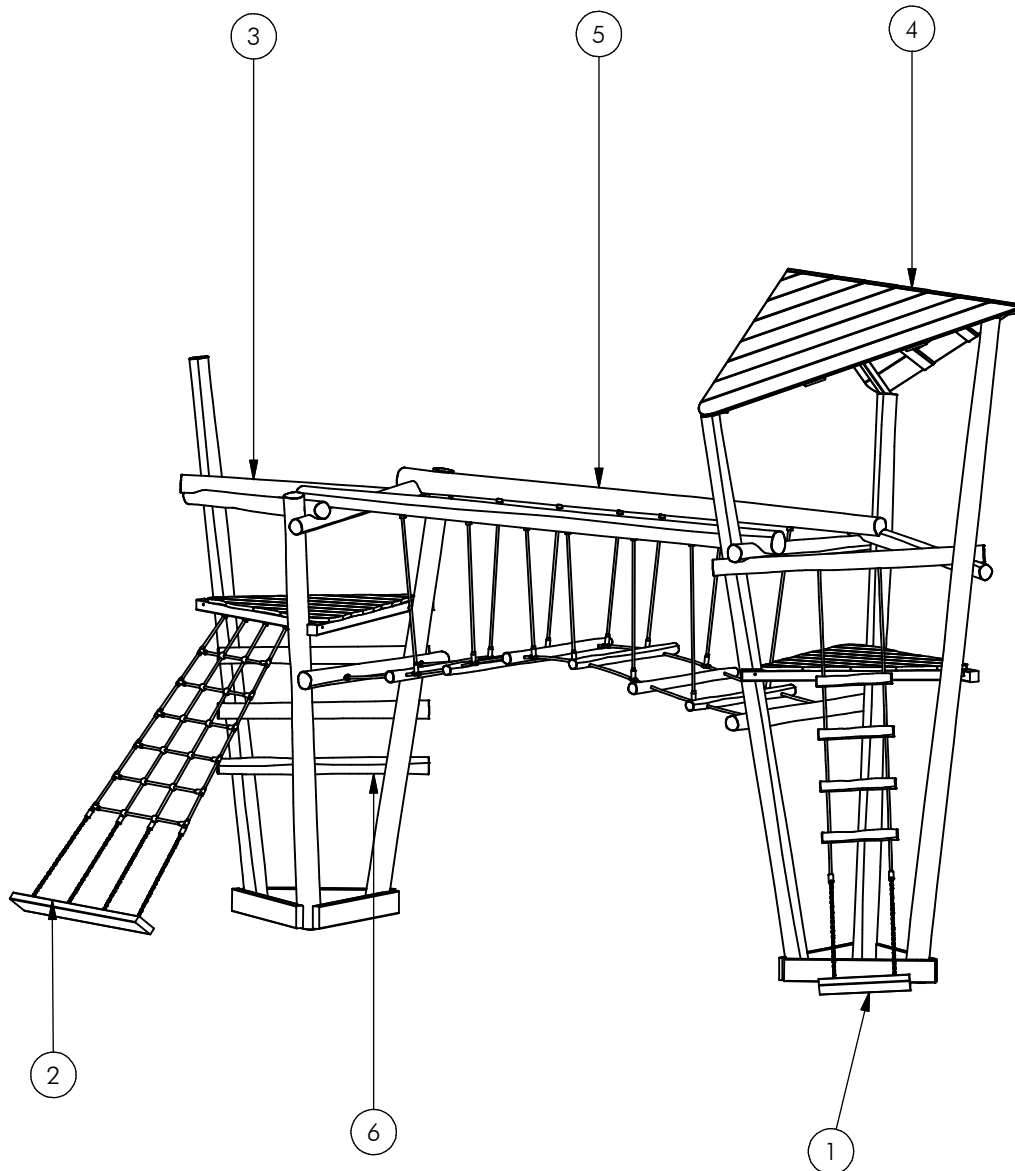
Datum
Date 24-9-2013

Tekening
Drawing

TOE PST 120 005 A

Bodemplan Groundplan





Nr	#	Type	Progr.	Volgnr	Bew.	Rev.	Benaming	Opmerking
1	1	MOD	PST	016	037	A	Touw Ladder	Adventure Play
2	1	MOD	PST	021	023		Oploopnet 1,5m	Adventure Play
3	1	MOD	PST	030	010	A	Toren 1,5 mtr	Adventure Play
4	1	MOD	PST	030	032	A	Toren 1,5 m	Palenwoud
5	1	MOD	PST	034	011		Wiebelbrug 4m	Adventure Play
6	1	MOD	PST	120	005		Verticale sporten	Adventure Play



Benaming
Title Palenwoud

Opmerking
Comment Adventure Play

Datum
Date 24-9-2013

Tekening
Drawing

TOE PST 120 005 A

Modules Modules

Geleverde delen:

- A - Grote toren
- B - Kleine toren
- C - Touwbrug
- D - Touwladder
- E - Klimnet

Bevestiging sets:

- 1 - -RVS M12 bevestigingsset

Montagevolgorde:

- 1 - Graaf de gaten volgens het bodemplan en plaats A op de juiste diepte en met de juiste hoogte.
- 2 - Plaats B op de juiste diepte.
- 3 - Monteer touwbrug C.
- 4 - Plaats D en bevestig D aan B met 1
- 5 - Plaats E en bevestig E aan A met 1
- 6 - Controleer of het toestel voldoet aan de afmetingen zoals op blad afmetingen"
- 7 - Dicht de gaten en verdicht het zand

Controles:

- 1 - Correcte opbouw en alle bevestigingsmiddelen
- 2 - Controleer de valhoogte
- 3 - Controleer of net strak hangt
- 4 - Controleer of toestel moeilijk toegankelijk is
- 5 - Controleer de afmetingen van de valbodem t.o.v. het toestel

Geleverde delen:

- A - Big tower
- B - Small tower
- C - Rope bridge
- D - Rope ladder
- E - Climbing rope

Bevestiging sets:

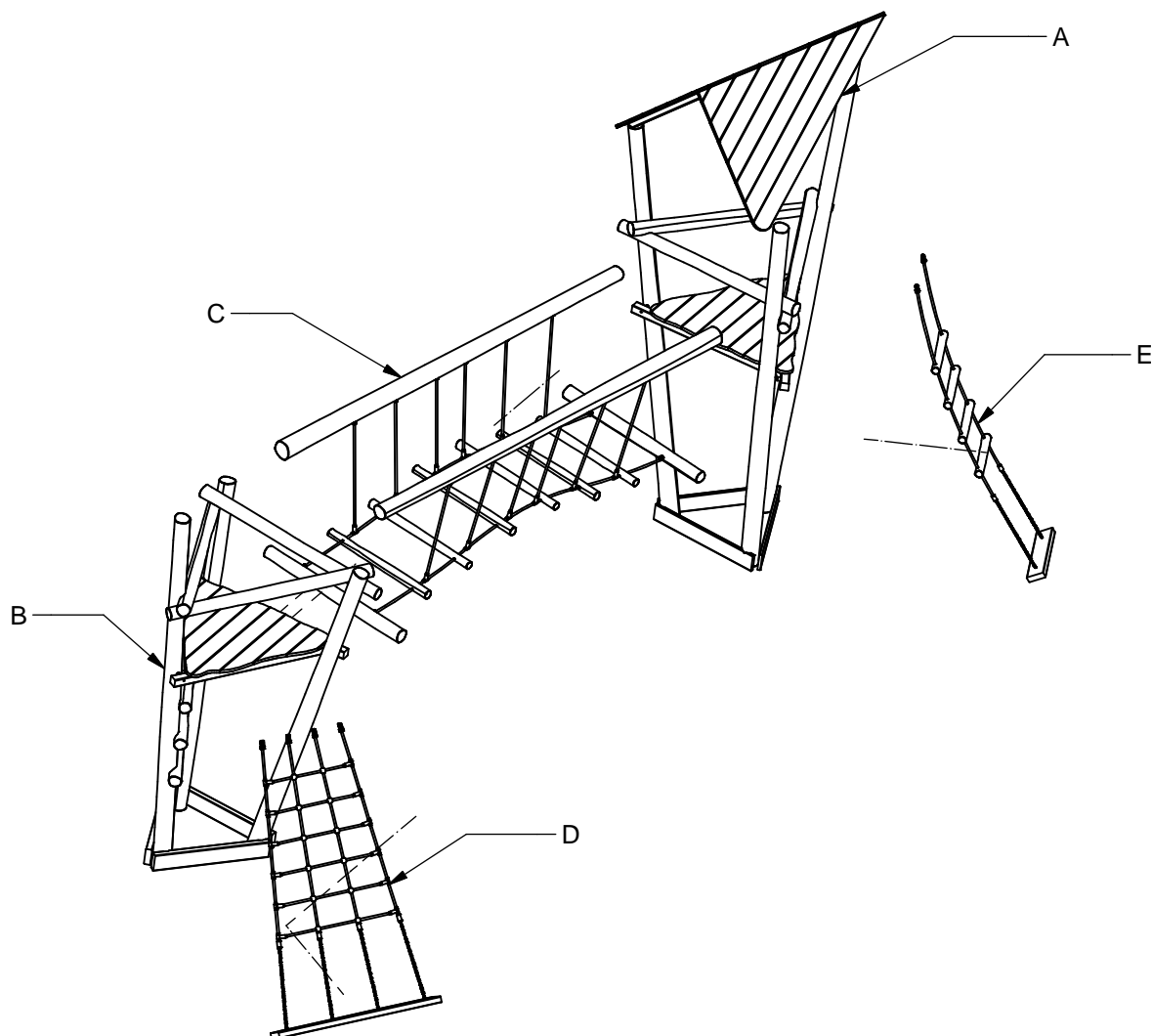
- 1 - -RVS M12 stainless steel mounting

Montagevolgorde:

- 1 - Dig the holes in the ground plan and position A on the right depth.
- 2 - Place B and position on the right depth.
- 3 - Position C between A and B .
- 4 - Position D and attach D to B with 1
- 5 - Position E and attach E to A with 1
- 6 - Check that the device complies with the dimensions on sheet "dimensions"
- 7 - Close the holes and compacted the sand

Controles:

- 1 - Correcte building and all fasteners
- 2 - Check the maximum height of the equipment.
- 3 - Check the rope hangs tight.
- 4 - Check the play equipment is inaccessible.
- 5 - Check the dimensions of the safety area with regard to the play equipment.



PSTE120.005

Combination Equipment

LOGBOOK

(Onderstaand logboek kan gebruikt worden om te voldoen aan de eisen, gesteld in artikel 14 van het Warenwetbesluit Attractie- en Speeltoestellen)

Type indication	Adventure Play
Product code	PSTE120.005
Name of equipment	Palenwoud
Maximum height of fall	1,5 m
Year of construction	2017
Certificate	037052
inspection authority	TUV Nederland QA BV De Waal 21c, Best - 5684 PH Best
Name manufacturer	BOERplay Hyacintstraat 2 - 4255 HX Nieuwendijk Phone: +31 (0)183 40 23 66 Fax: +31 (0)183 40 35 64
name installer	_____ _____
Description of equipment	Combination Equipment
Location of equipment	_____
Data about the owner of the play equipment	
Name:	_____
Address:	_____
Postcode and town:	_____
Contact person:	_____
Telephone number:	_____
Data about the administrator of the play equipment	
Name:	_____
Address:	_____
Postcode and town:	_____
Contact person:	_____
Telephone number:	_____

LOGBOOK

Inspection and maintenance intervals



Nr.	Inspection	Maintenance	months between inspections
1	Verify equipment's stability, junctions and missing parts. Inspect bolts, screws and nuts for absence, jams, corrosion and wear.	Add missing parts, secure joints, apply missing fixing agent and replace corroded parts.	1
2	Check suspension for wear.	Replace worn parts and/or remove non-functioning parts.	1
3	Inspect rotating parts such as hinges, rolling-element bearings, etc. for wear and acceptability.	Replace worn parts and/or remove non-functioning parts.	1
4	Check wood for splinters, unacceptable damage and signs of rot. Especially at ground level.	Repair damage. Replace affected wood. Smoothen splintered wood and sharp edges.	1
5	Inspect foundation for stability, tearing and coverage.	Restore foundation and covering material.	3
6	Examine rubber and synthetic parts for wear, damage and break.	Replace original parts.	3
7	Inspect metal for corrosion and damage in the coating.	Restore any damaged coating (after removing rust and applying primer).	6
8	Check ropes, cables, chains and nets for wear and damage. Steel cables and nets which are tensioned must be checked for tension.	Replace parts where necessary. Steel cables and nets must be tensioned.	3
9	Inspect equipment for unsafe changes and additions.	Remove unsafe additions and correct unsafe changes.	1
10	Inspect safety surfaces.	Restore and repair where necessary.	1

Remarks

1. If used intensively, all points require extra attention.
2. Extreme weather conditions and locations may require a higher inspection frequency. Discuss this with the supplier.
3. Vandalism-sensitive locations require stricter inspections, possibly daily.
4. Check the terrain regularly for items that do not belong there, are unsafe or may be used wrongly. Examples are poisonous plants, glass shards, etc. Frequency depends on strain.
5. Remember that bad maintenance leads to unsafe conditions and notably faster impoverishment of the playground area.
6. Replacement parts can be ordered at the manufacturer with the part numbers on the module drawing. Drawings can be found in de user guide.
7. The impact area shall be provided with impact attenuating surface according to the specified falling height.
8. This list is conform the CEN-standard "playground equipment and surfacing NEN-EN 1176-7".

Warenwet

Certificaat van Typeonderzoek Type Examination Certificate

afgegeven door issued by

TÜV Nederland QA BV



aangewezen bij ministeriële beschikking van
4 mei 2012, nr. VGP 3113590

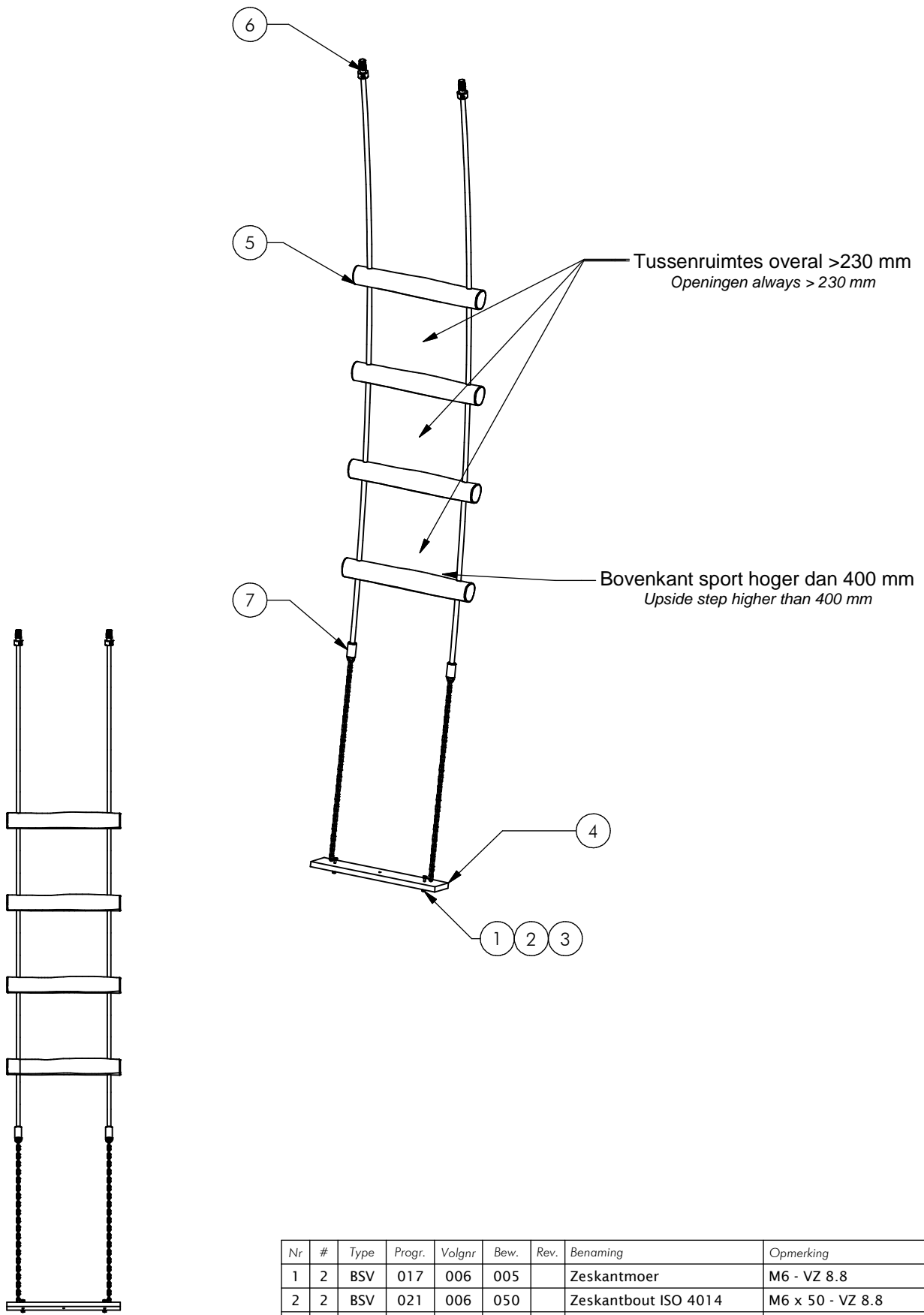
commissioned by departmental order
of 4 May 2012, no. VGP 3113590

Certificaat nr. Certificate nr.	037052TA_20140103	Dossiernr. File nr.	037052TA
Productomschrijving Product description	Palenwoud		
Evt. nadere aanduidingen Further indications	PST.120.005 (zonder glijbaan) en PST.120.007 (inclusief glijbaan)		
voor nadere informatie zie bijbehorend rapport met gelijkloidend dossiernr. for further information see associated report with identical file nr.			
Eigenaar / certificaathouder en adres Owner/certificate holder and address	Boer Speeltoestellen B.V. Hyacintstraat 2 4255 HX Nieuwendijk		
Soort toestel Category of equipment	Speeltoestel / Playground equipment		
Fabrikant Manufacturer	Boer Speeltoestellen B.V. Hyacintstraat 2 4255 HX Nieuwendijk		
Type/Serienummer Type/Serial number	PST.020.00... /	in te vullen door de fabrikant to be filled out by the manufacturer	
Jaar van fabricage Year of construction	vanaf 2013 since		
Leverancier Supplier	Boer Speeltoestellen B.V. Hyacintstraat 2 4255 HX Nieuwendijk		
Jaar van leverantie Year of supply	in te vullen door de leverancier to be filled out by the supplier		
Datum keuring Date of examination	17-10-2013 – 03-01-2014		

TÜV Nederland QA BV, de Waal 21C, NL-5684 PH Best verklaart, dat het bovenaangehaalde toestel voldoet aan de vervaardigingvoorschriften genoemd in het Warenwetbesluit attractie- en speeltoestellen (met als leidraad de normatieve documenten NEN-EN 1176:2008).

TÜV Nederland QA BV declares that the here above mentioned equipment meets the safety and health requirements mentioned in the Dutch law "Warenwetbesluit attractie- en speeltoestellen" (guided by normative documents EN 1176:2008).

<p>Namens het bestuur, For the board,</p> <p>A.C. Boon Directeur</p>	
--	--



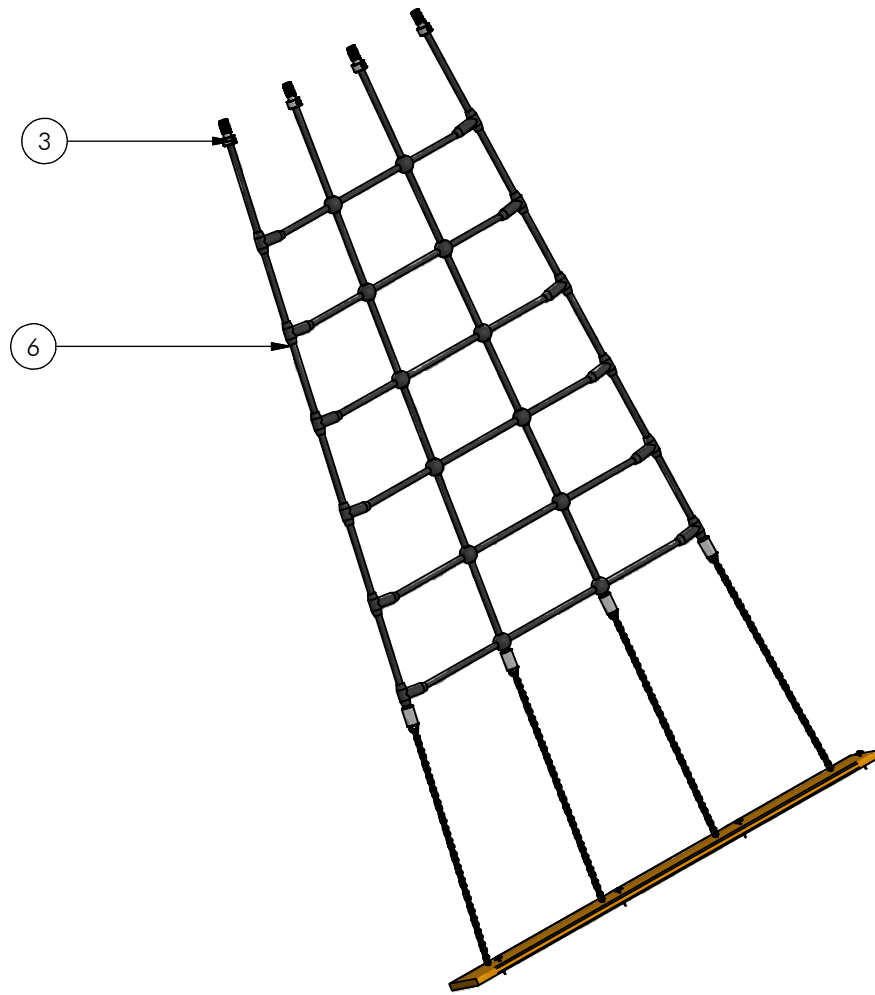
Nr	#	Type	Progr.	Volgnr	Bew.	Rev.	Benaming	Opmerking
1	2	BSV	017	006	005		Zeskantmoer	M6 - VZ 8.8
2	2	BSV	021	006	050		Zeskantbout ISO 4014	M6 x 50 - VZ 8.8
3	4	BSV	030	006	002		Sluitring	M6 - VZ 8.8
4	1	KST	APL	050			Ankerplaat	500x100x19
5	4	OHO	PST	080	005		Paal 6-8	Lengte =500
6	2	SMD	BUS	002	RVS		Bus + VZ schroef	Touw 16 mm
7	2	SNT	PST	016	062	A	Touw tbv robinia ladder	Adventure Play



Benaming / Title: Touw Ladder
 Opmerking / Comment: Adventure Play
 Datum / Date: 24-9-2013

Tekening / Drawing

MOD PST 016 037 A
 Samenstelling module / Assembly module



Nr	#	Type	Progr.	Volgnr	Bew.	Rev.	Benaming	Opmerking
1	4	BSR	002	005	050		Schroef Assy	5 x 50 - RVS A2-70
2	4	BSR	035	006	020		Carrosserie ring	M6 - RVS A2-70
3	4	BSV	025	006	030		Veiligheidsschroef	Pin-Torx - VZ 8.8
4	1	OHO	PST	211	150		Standaard plank 120x20	Lengte = 1500
5	4	OME	BUS	002	RVS		Bus RVS schroefdraad	touw d16
6	1	SNT	PST	016	121		Oploopnet 1,5m	Zwart



Benaming
Title | Oplloopnet 1,5m

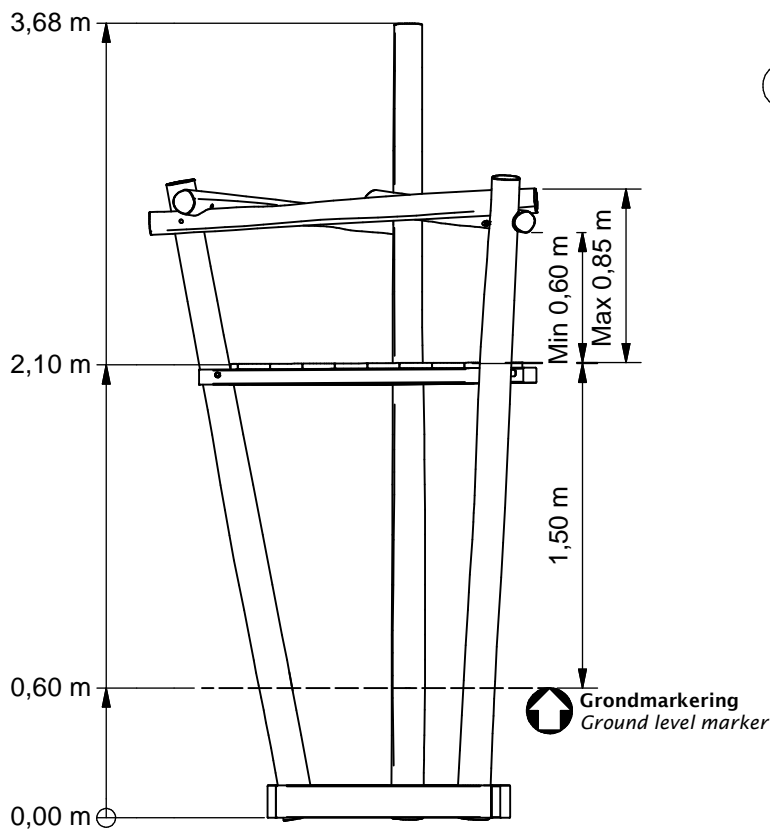
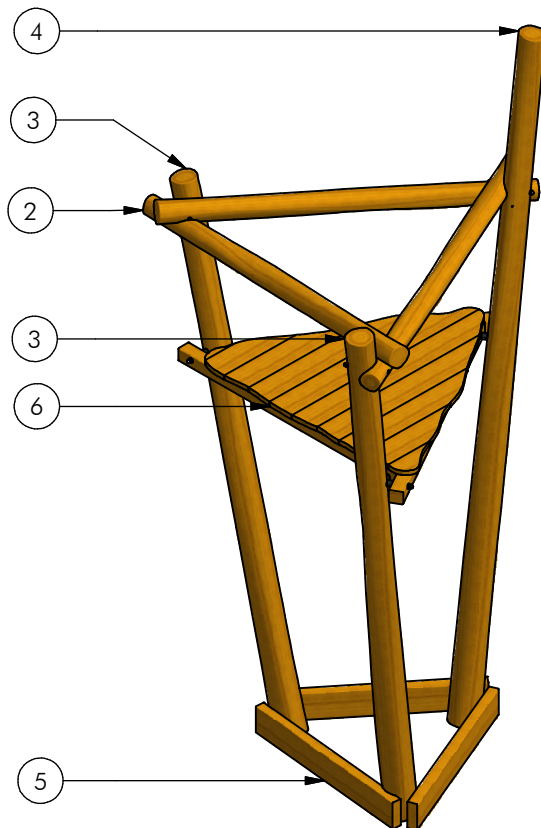
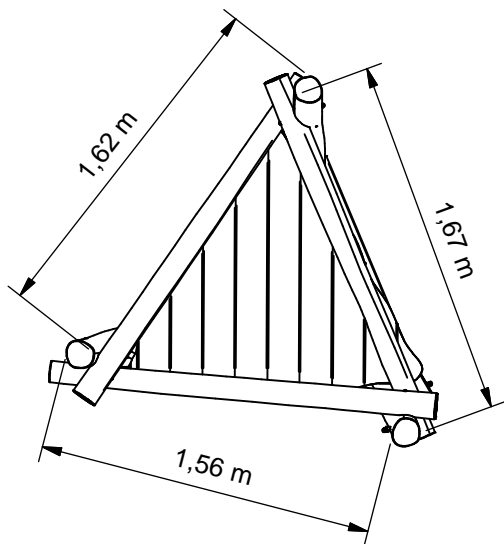
Opmerking
Comment | Adventure Play

Datum
Date | 23-1-2015

Tekening
Drawing

MOD PST 021 023

Samenstelling module Assembly module



Nr	#	Type	Progr.	Volgnr	Bew.	Rev.	Benaming	Opmerking
1	9	BMR	SET	M12	200		Draadeind+dopm.+ringen	M12, L= 200, RVS A2-70
2	3	OHO	PST	120	018		Paal 10-12	Lengte =1800
3	2	OHO	PST	160	030		Paal 14-16	Lengte =3000
4	1	OHO	PST	160	037		Paal 14-16	Lengte =3700
5	3	OHO	PST	240	100		Plank 150x50	Lengte = 1000
6	1	SMD	PST	003	003		Vloertje 1,5 m	Adventure Play



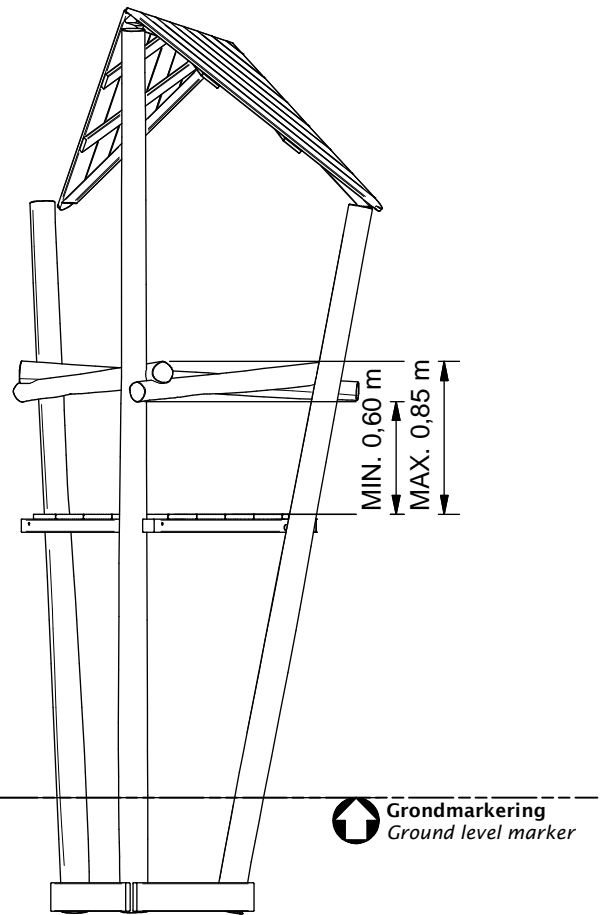
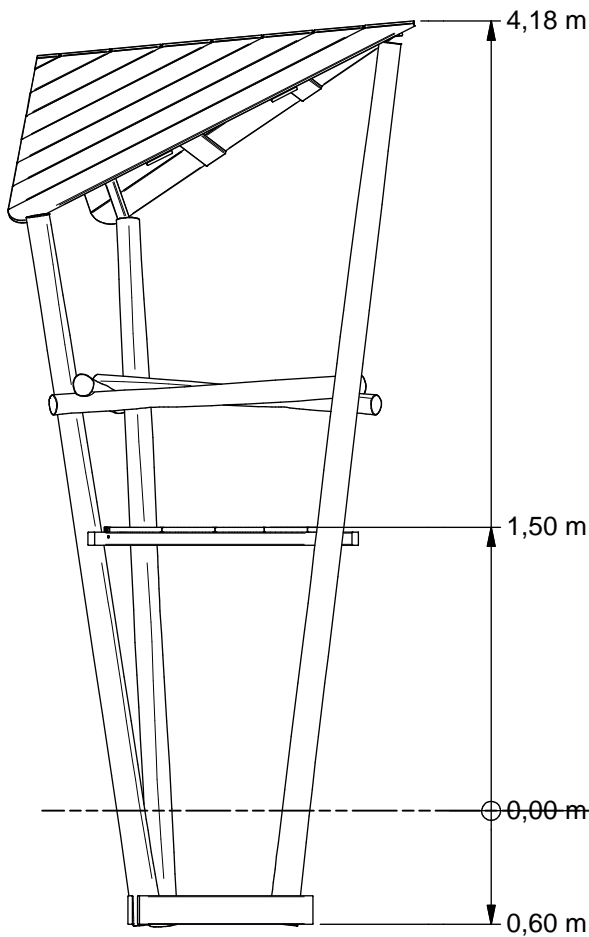
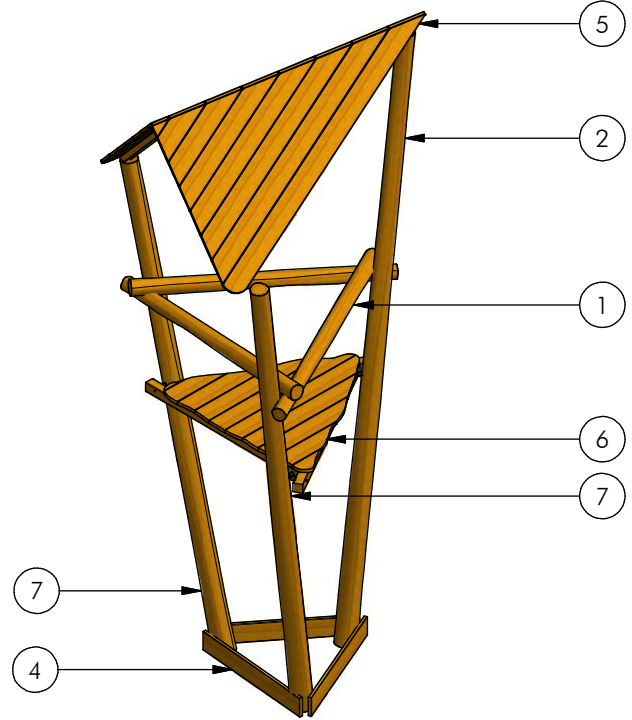
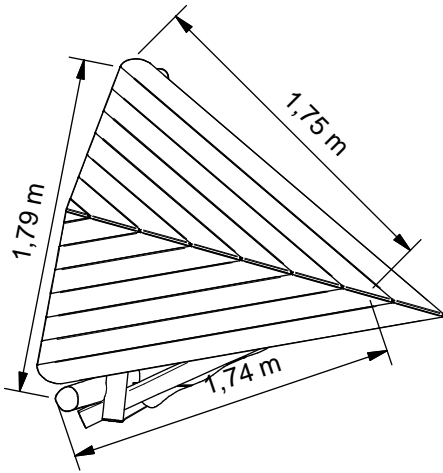
Benaming
Title: Toren 1,5 mtr


Opmerking
Comment: Adventure Play

Datum
Date: 30-1-2014

Tekening
Drawing

MOD PST 030 010 A
 Samenstelling module Assembly module



 Grondmarkering
Ground level marker

Nr	#	Type	Progr.	Volgnr	Bew.	Rev.	Benaming	Opmerking
1	3	OHO	PST	120	018		Paal 10-12	Lengte =1800
2	1	OHO	PST	160	047		Paal 14-16	Lengte =4700
4	3	OHO	PST	222	100		Plank 150x25	Lengte = 1000
5	1	SHO	PST	064	001	A	Dakje toren	Adventure Play
6	1	SMD	PST	003	003		Vloertje 1,5 m	Adventure Play
7	2	OHO	PST	160	038		Paal 14-16	Lengte =3800



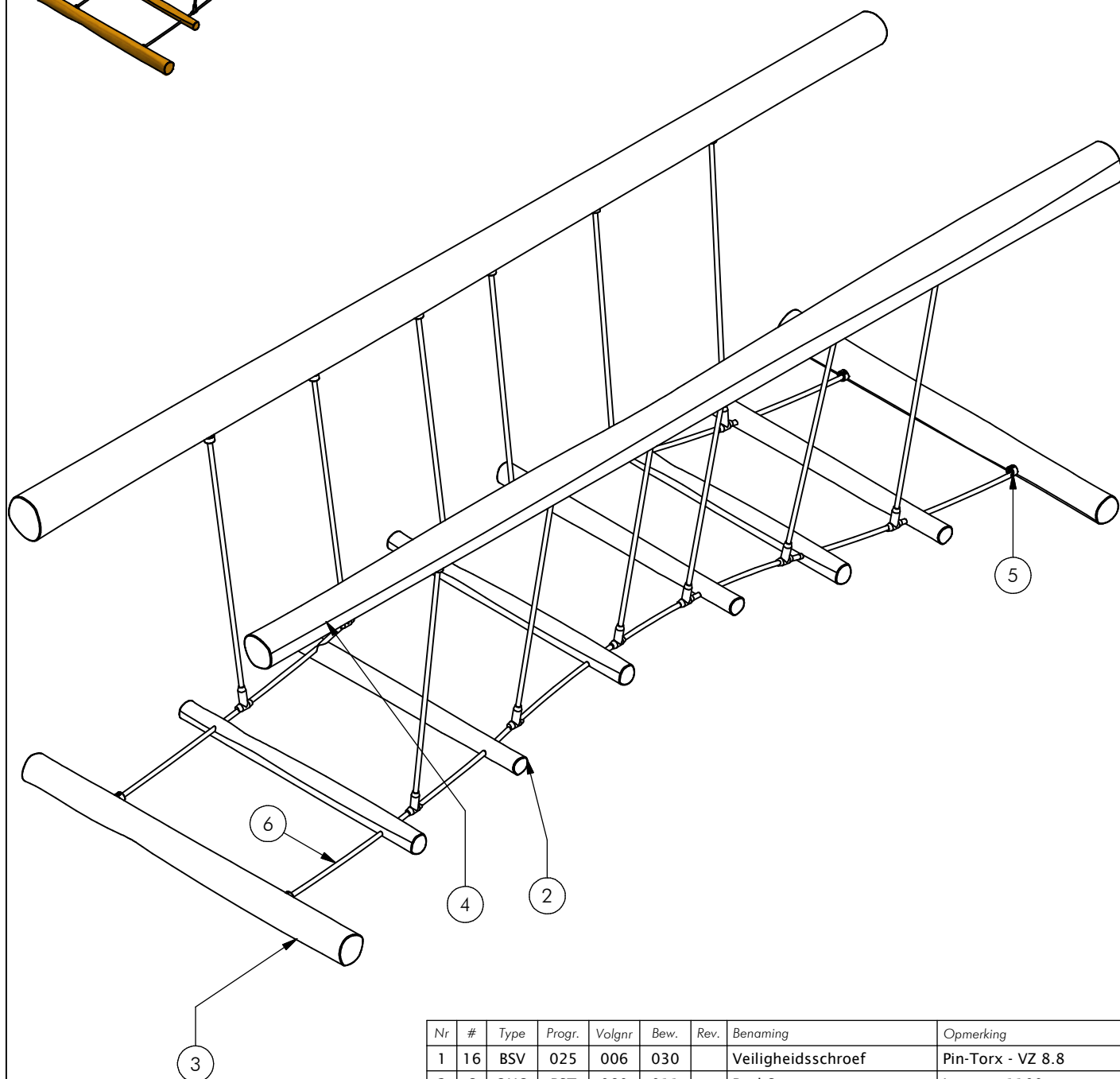
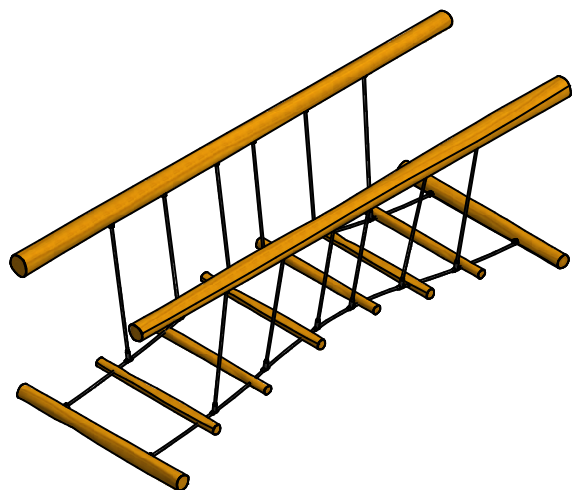
Benaming
Title Toren 1,5 m

Opmerking
Comment Palenwoud

Datum
Date 1-10-2015

Tekening
Drawing

MOD PST 030 032 B
Samenstelling module Assembly module



Nr	#	Type	Progr.	Volgnr	Bew.	Rev.	Benaming	Opmerking
1	16	BSV	025	006	030		Veiligheidsschroef	Pin-Torx - VZ 8.8
2	6	OHO	PST	080	011		Paal 6	Lengte =1100
3	2	OHO	PST	120	015		Paal 10-12	Lengte =1500
4	2	OHO	PST	160	040		Paal 14-16	Lengte =4000
5	16	OME	BUS	002	RVS		Bus RVS schroefdraad	touw d16
6	1	SNT	PST	016	175		Ophanging Touwbrug	Adventure Play



Benaming
Title: Wiebelbrug 4m

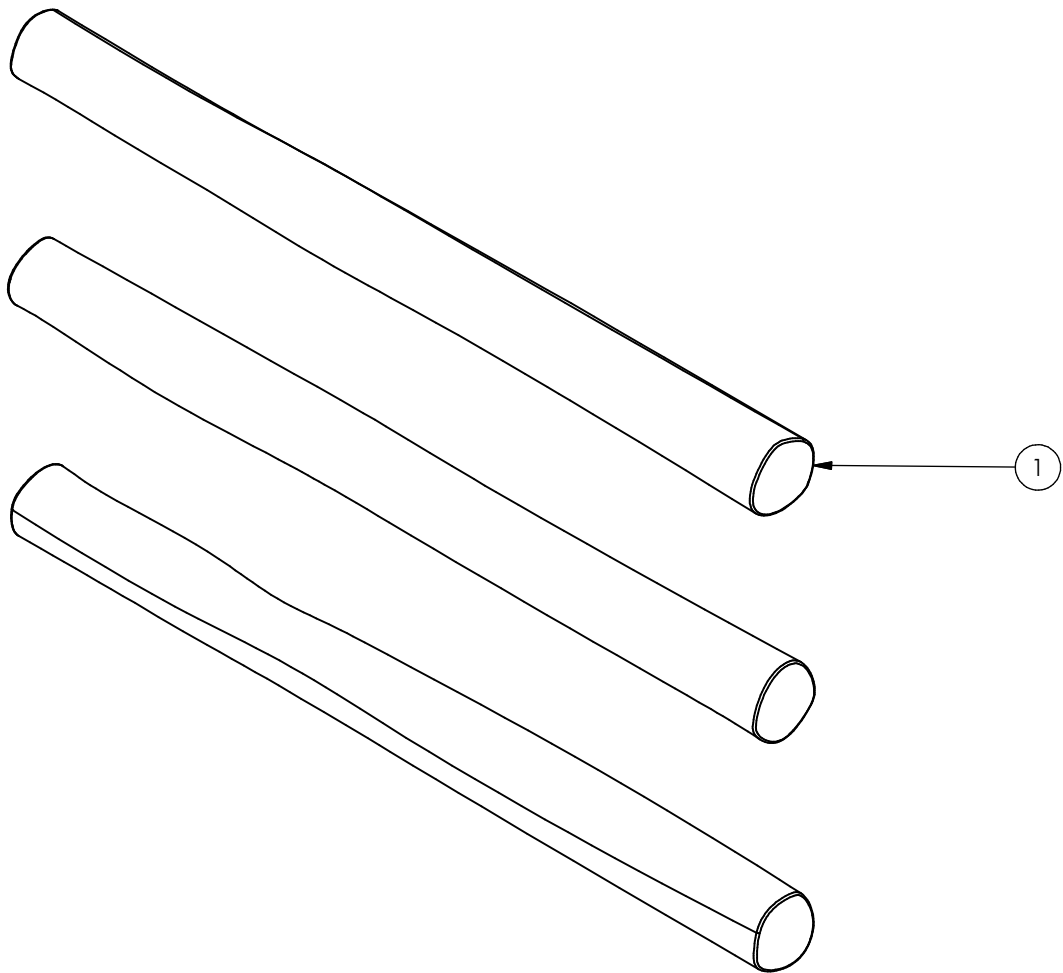
Opmerking
Comment: Adventure Play

Datum
Date: 26-1-2015

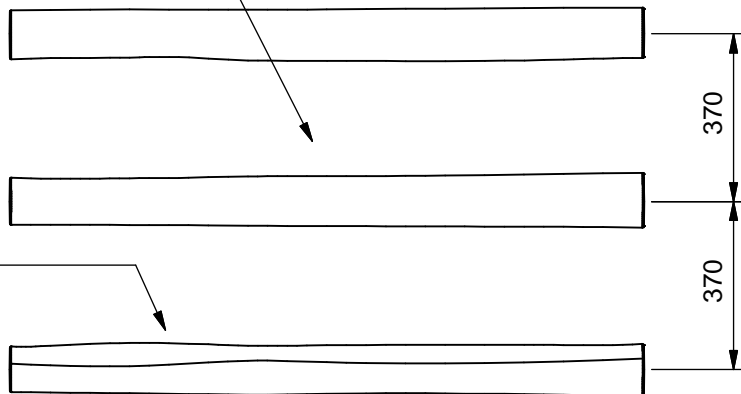
Tekening
Drawing

MOD PST 034 011

Samenstelling module Assembly module



Opening >230 mm
Opening > 230 mm



> 0,40 m t.o.v. maaiveld

Nr	#	Type	Progr.	Volgnr	Bew.	Rev.	Benaming	Opmerking
1	3	OHO	PST	120	014		Paal 10-12	Lengte =1400



Benaming
Title
Verticale sporten

Opmerking
Comment
Adventure Play

Datum
Date
24-9-2013

Tekening
Drawing

MOD PST 120 005

Samenstelling module *Assembly module*