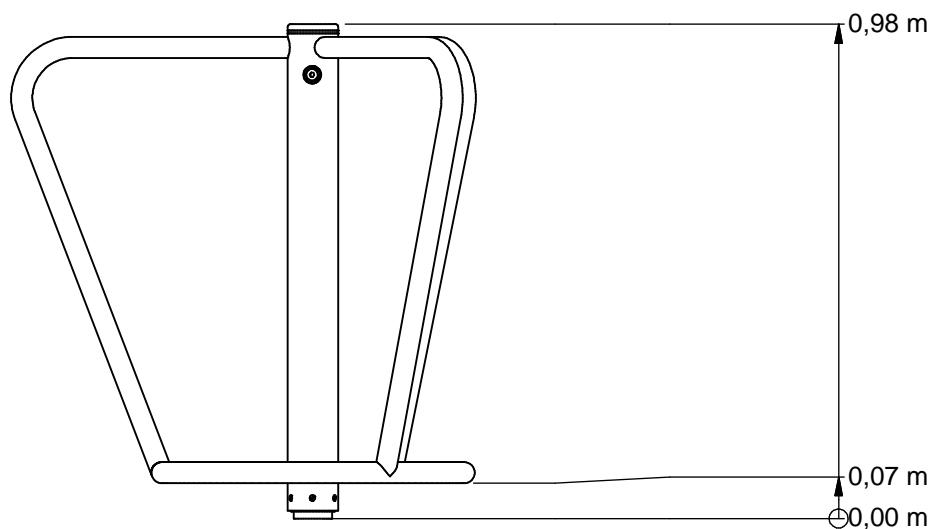
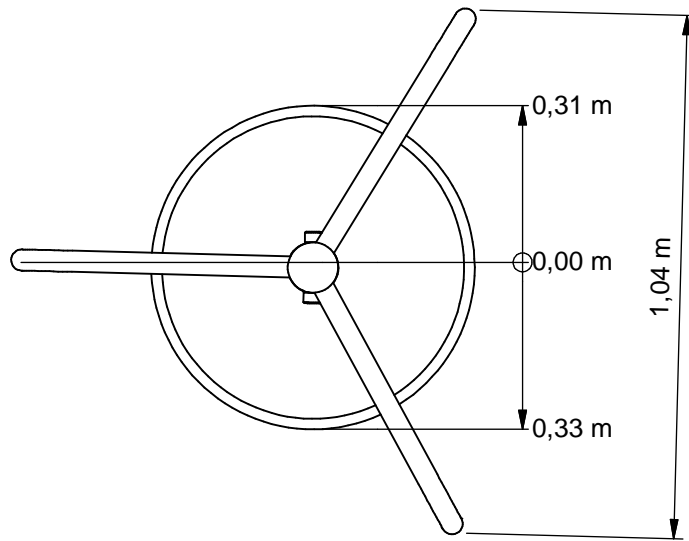




Roundabout



CSPE410.320



Benaming
Title | Tourniquet

Opmerking
Comment | Classic Play

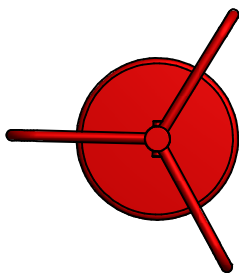
Datum
Date | 3-3-2015

Tekening
Drawing

TOE CSP 410 320

Hoofdafmetingen *Main dimensions*

5,20 m



- Opvangzone**
Impact area
- Obstakelvrije zone**
Obstacle free zone



Benaming
Title Tourniquet

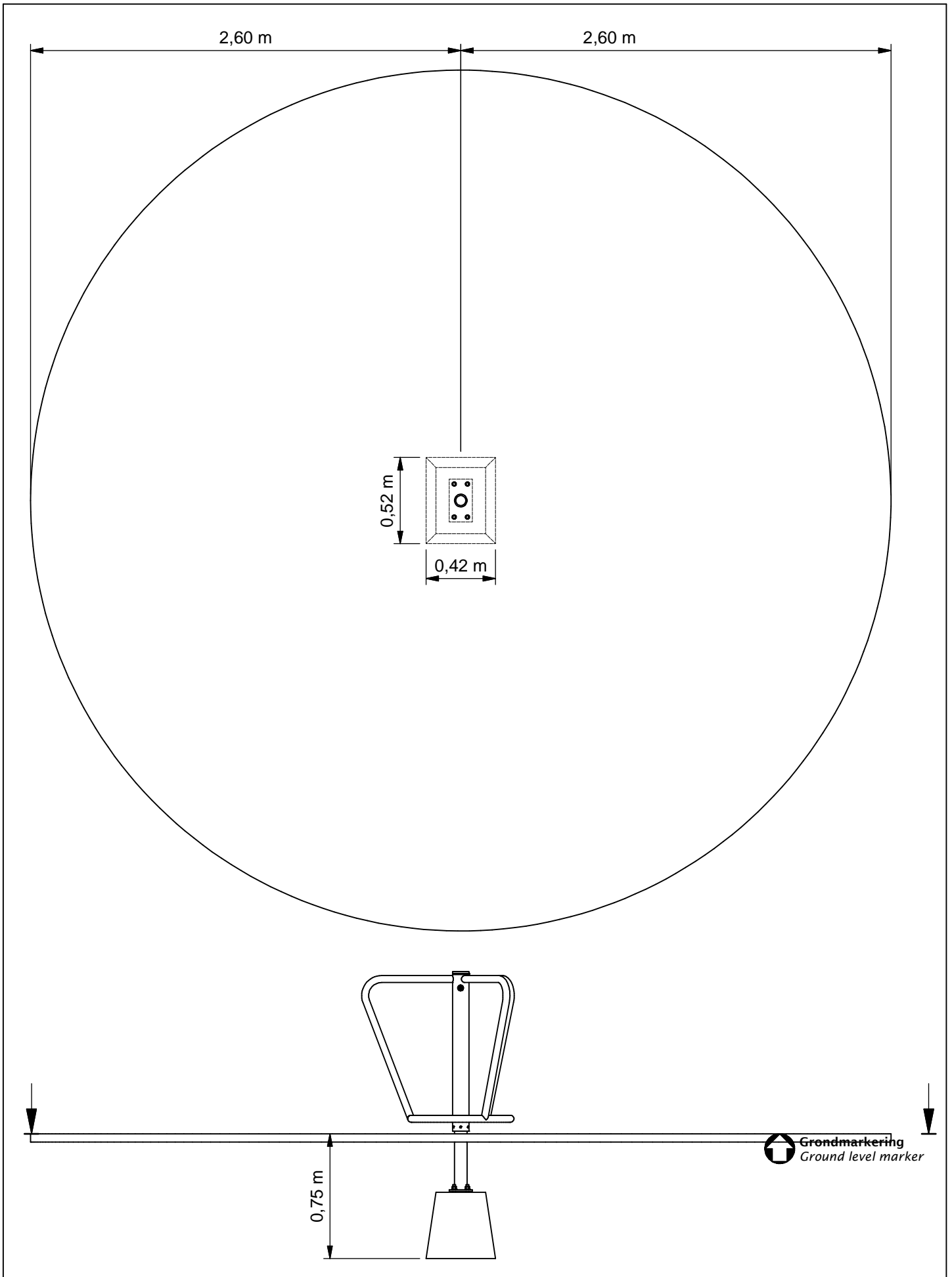
Opmerking
Comment Classic Play

Datum
Date 3-3-2015

Tekening
Drawing

TOE CSP 410 320

Obstakelvrije zone *Obstacle free zone*



Benaming
Title Tourniquet

Opmerking
Comment Classic Play

Datum
Date 3-3-2015

Tekening
Drawing

TOE CSP 410 320

Bodemplan *Groundplan*

Geleverde modules:

Zie tabel

Supplied modules:

See table

Montageinstructie:

- De hoofdmaten geven de maten van de standers en vloeren aan
- De detailtekeningen geven specifiek de maten van de verbindingen aan
- De modules met buizen zijn op de tekeningen bemaat op bovenkant kopplaat
- Overige modules zijn bemaat op de bovenkant (klimwanden, paalkappen, etc.)

Assembly instruction:

- The main dimensions indicate the dimensions of the posts and floors
- The detailed dimensions show the specific dimensions of the connections
- The modules which contain tubes are dimensioned at the top of the flanges
- Other modules are dimensioned at the top (climbing walls, caps for the posts, etc.)

Montagevolgorde:

- 1 - Graaf de gaten volgens het bodemplan
- 2 - Plaats 2
- 3 - Plaats 1 op 2
- 4 - Controleer of het toestel voldoet aan de afmetingen zoals op blad 'afmetingen'
- 5 - Dicht de gaten en verdicht het zand

Assembly sequence:

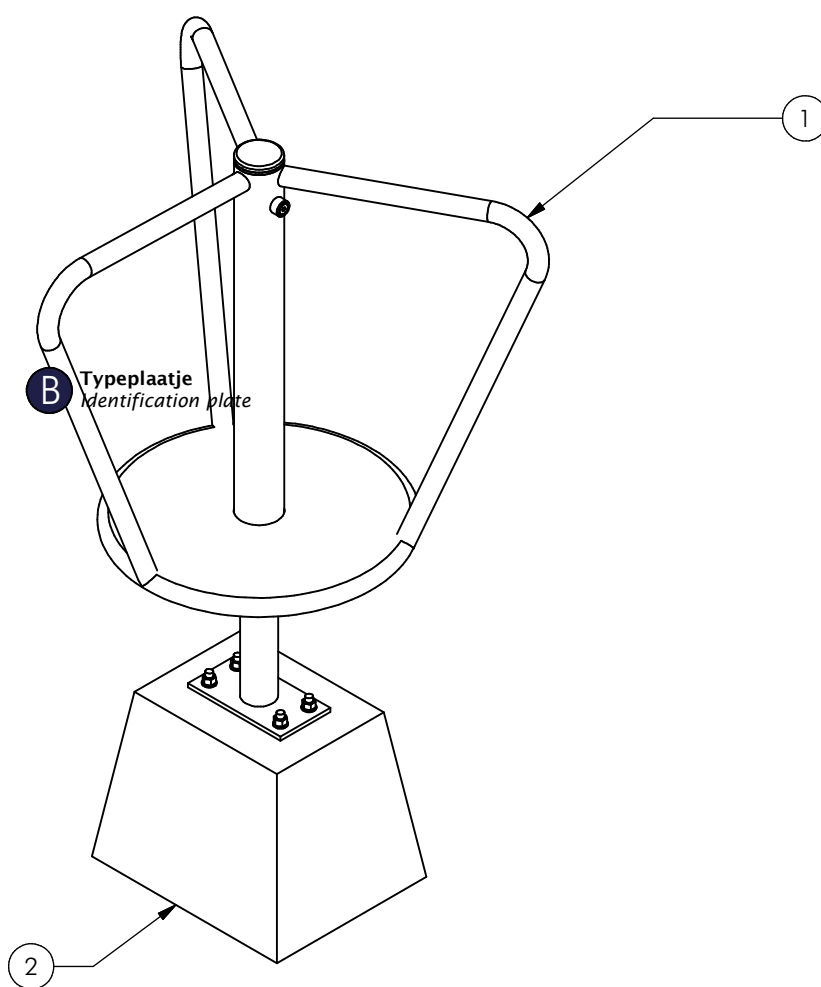
- 1 - Dig the holes according to the ground plan
- 2 - Place 2
- 3 - Place 1 on top of 2
- 4 - Check that the equipment conforms to the dimensions shown on sheet 'dimensions'
- 5 - Close the holes and compact the sand

Controles:

- 1 - Correcte opbouw en alle bevestigingsmiddelen
- 2 - Controleer de afmetingen van de valbodem t.o.v. het toestel
- 3 - Ruimte tussen maaiveld en het toestel >6cm en <11cm

Checks:

- 1 - Correct assembly and all the fasteners
- 2 - Check the dimensions of the safety area with regard to the play equipment
- 3 - Space between ground level and the unit >6cm and <11cm



Nr	#	Type	Progr.	Volgnr	Bew.	Rev.	Benaming	Opmerking
1	1	MOD	CSP	036	320		Tourniquet	Classic Play
2	1	MOD	OBT	006	001		Poer model 6	150 KG



Benaming
Title | Tourniquet

Opmerking
Comment | Classic Play

Datum
Date | 3-3-2015

Tekening
Drawing

TOE CSP 410 320

Modules Modules

CSPE410.320

Roundabout

LOGBOOK

(Onderstaand logboek kan gebruikt worden om te voldoen aan de eisen, gesteld in artikel 14 van het Warenwetbesluit Attractie- en Speeltoestellen)

Type indication	Classic Play
Product code	CSPE410.320
Name of equipment	Alu Tourniquet RAL3020
Maximum height of fall	1,0 m
Year of construction	2017
Certificate	07320346570
inspection authority	TUV Nord Langemarckstrasse 20, Essen - 45141 Essen
Name manufacturer	BOERplay Hyacintstraat 2 - 4255 HX Nieuwendijk Phone: +31 (0)183 40 23 66 Fax: +31 (0)183 40 35 64
name installer	_____ _____
Description of equipment	Roundabout
Location of equipment	_____
Data about the owner of the play equipment	
Name:	_____
Address:	_____
Postcode and town:	_____
Contact person:	_____
Telephone number:	_____
Data about the administrator of the play equipment	
Name:	_____
Address:	_____
Postcode and town:	_____
Contact person:	_____
Telephone number:	_____

LOGBOOK

Inspection and maintenance intervals



Nr.	Inspection	Maintenance	months between inspections
1	Verify equipment's stability, junctions and missing parts. Inspect bolts, screws and nuts for absence, jams, corrosion and wear.	Add missing parts, secure joints, apply missing fixing agent and replace corroded parts.	1
2	Check suspension for wear.	Replace worn parts and/or remove non-functioning parts.	1
3	Inspect rotating parts such as hinges, rolling-element bearings, etc. for wear and acceptability.	Replace worn parts and/or remove non-functioning parts.	1
4	Check wood for splinters, unacceptable damage and signs of rot. Especially at ground level.	Repair damage. Replace affected wood. Smoothen splintered wood and sharp edges.	1
5	Inspect foundation for stability, tearing and coverage.	Restore foundation and covering material.	3
6	Examine rubber and synthetic parts for wear, damage and break.	Replace original parts.	3
7	Inspect metal for corrosion and damage in the coating.	Restore any damaged coating (after removing rust and applying primer).	6
8	Check ropes, cables, chains and nets for wear and damage. Steel cables and nets which are tensioned must be checked for tension.	Replace parts where necessary. Steel cables and nets must be tensioned.	3
9	Inspect equipment for unsafe changes and additions.	Remove unsafe additions and correct unsafe changes.	1
10	Inspect safety surfaces.	Restore and repair where necessary.	1

Remarks

1. If used intensively, all points require extra attention.
2. Extreme weather conditions and locations may require a higher inspection frequency. Discuss this with the supplier.
3. Vandalism-sensitive locations require stricter inspections, possibly daily.
4. Check the terrain regularly for items that do not belong there, are unsafe or may be used wrongly. Examples are poisonous plants, glass shards, etc. Frequency depends on strain.
5. Remember that bad maintenance leads to unsafe conditions and notably faster impoverishment of the playground area.
6. Replacement parts can be ordered at the manufacturer with the part numbers on the module drawing. Drawings can be found in de user guide.
7. The impact area shall be provided with impact attenuating surface according to the specified falling height.
8. This list is conform the CEN-standard "playground equipment and surfacing NEN-EN 1176-7".

Zertifikat

Certificate

Registrier-Nr.

Registered No.

44 320 07 346570-006

Zeichen des Auftraggebers
Customer's reference

Herr J. van Rooij

Auftragsdatum
Date of order

09.03.2007

Aktenzeichen
File reference

2.4-251/90 Ar/Spri

Prüfbericht Nr.
Test report no.

07320346570

**Name und Anschrift
des Auftraggebers**

Boer Speeltoestellen B.V.
Hyacintstraat 2, 4255 HX Nieuwendijk, Niederlande

Name and address of
the customer

ist berechtigt, das unten
genannte Produkt
mit dem abgebildeten Zeichen
zu kennzeichnen



is authorized to
provide the product
mentioned below with
the mark as illustrated

Fertigungsstätte

Boer Speeltoestellen B.V.
Hyacintstraat 2, 4255 HX Nieuwendijk, Niederlande

Manufacturing plant

Geprüft nach

DIN EN 1176-1: 2003-07, DIN EN 1176-2: 2003-07
DIN EN 1176-3: 2003-07, DIN EN 1176-5: 2003-07

Tested in accordance with

Das Produkt entspricht den Anforderungen des Geräte- und Produktsicherheitsgesetzes GPSG § 7(1)
The product is conform with the requirements of the Equipment and Product Safety Act – GPSG § 7(1)

**Beschreibung des
Produktes**
(Details s. Anlage 1)

Spielplatzgeräte Aluminium
Playground equipment Aluminium

Description of product
(Details see Annex 1)

TÜV NORD CERT GmbH
Zertifizierungsstelle für
Produktsicherheit

Gültig bis / Valid until: 19.06.2012



19.03.2007

Bitte beachten sie auch die umseitigen Hinweise
Please also pay attention to the information stated overleaf

Typbezeichnung	Artikel Nr.	Länge (mm)	Höhe (mm)
Reck	30.2.216XXXXX	1510	800
Reck	30.2.217XXXXX	1510	900
Reck	30.2.218XXXXX	1510	1000
Reck	30.2.219XXXXX	1510	1100

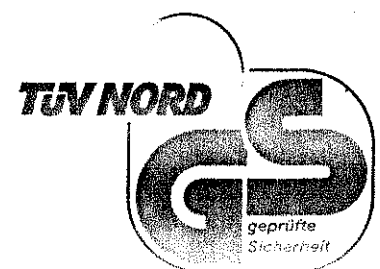
Typbezeichnung	Artikel Nr.	Länge (mm)	Höhe (mm)	Breite (mm)
Reck	30.2.220XXXXX	1510	800	450
Reck	30.2.221XXXXX	1510	900	450
Reck	30.2.222XXXXX	1510	1000	450
Reck	30.2.223XXXXX	1510	1100	450

Typbezeichnung	Artikel Nr.	Länge (mm)	Höhe (mm)
Dreifachreck	30.2.224XXXXX	3 x 1510	900 – 1050 - 1250
Doppelreck	30.2.225XXXXX	2 x 1510	900
Reck mit Kletterteil	30.2.226XXXXX	1510	800

Typbezeichnung	Artikel Nr.	Breite (mm)	Höhe (mm)
Klettertrichter	30.2.305XXXXX	1000 - 1750	1600
Kletterturm	30.2.306XXXXX	1000 - 1750	1600
Kletterburg	30.2.307XXXXX	--	1955

Die oben aufgeführten Produkte dürfen wie folgt gekennzeichnet werden:
 The above mentioned products could be provided with the following marking:

TÜV NORD CERT GmbH
 Zertifizierungsstelle für
 Produktsicherheit

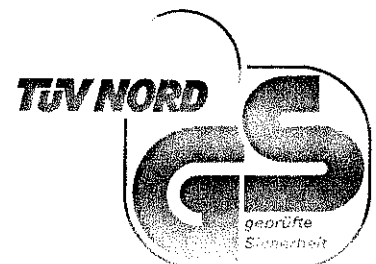
Typbezeichnung	Artikel Nr.	Länge (mm)	Höhe (mm)
Kletterpferd	30.2.308XXXXX	1650	2000
Kletterbogen	30.2.309XXXXX	1800	1850

Typbezeichnung	Artikel Nr.	Länge (mm)	Breite (mm)	Höhe (mm)
Triangel Klettergestell	30.2.310XXXXX	3440	1400	2100
Kletterkugel	30.2.311XXXXX	3000	3000	1500
Kletteriglu	30.2.312XXXXX	2500	2500	1200
Kletteriglu	30.2.313XXXXX	2500	2500	1200
Kletteriglu	30.2.314XXXXX	4200	4200	2000
Kletterhangelbrücke	30.2.316XXXXX	10000	1300	2500
Klettergerüst	30.2.317XXXXX	4580	3660	1350

Typbezeichnung	Artikel Nr.	Länge (mm)	Höhe (mm)
Balkenwippe	30.2.400XXXXX	3000	650
Doppelbalkenwippe	30.2.401XXXXX	3000	650
Federwippe	30.2.407XXXXX	700	790
Federwippe	30.2.408XXXXX	770	740

Die oben aufgeführten Produkte dürfen wie folgt gekennzeichnet werden:
The above mentioned products could be provided with the following marking:

TÜV NORD CERT GmbH
Zertifizierungsstelle für
Produktsicherheit



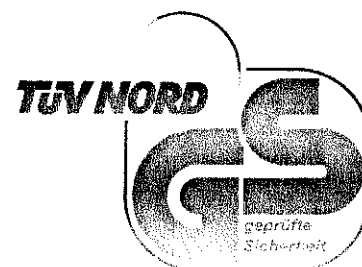
Typbezeichnung	Artikel Nr.	Länge (mm)	Breite (mm)	Höhe (mm)
Karussell	30.2.404XXXXX	1450	1450	760
Karussell	30.2.405XXXXX	200	200	--
Karussell	30.2.410XXXXX	1200	1200	1000

Typbezeichnung	Artikel Nr.	Länge (mm)	Höhe (mm)	Breite (mm)
Doppelschaukel	30.2.411XXXXX	5000	2250	1150
T-Doppelschaukel	30.2.412XXXXX	2450	2000	--
Dreifachschaudel	30.2.413.00000	5080	2300	--
Vierfachschaudel	30.2.415.00000	5260	2300	--

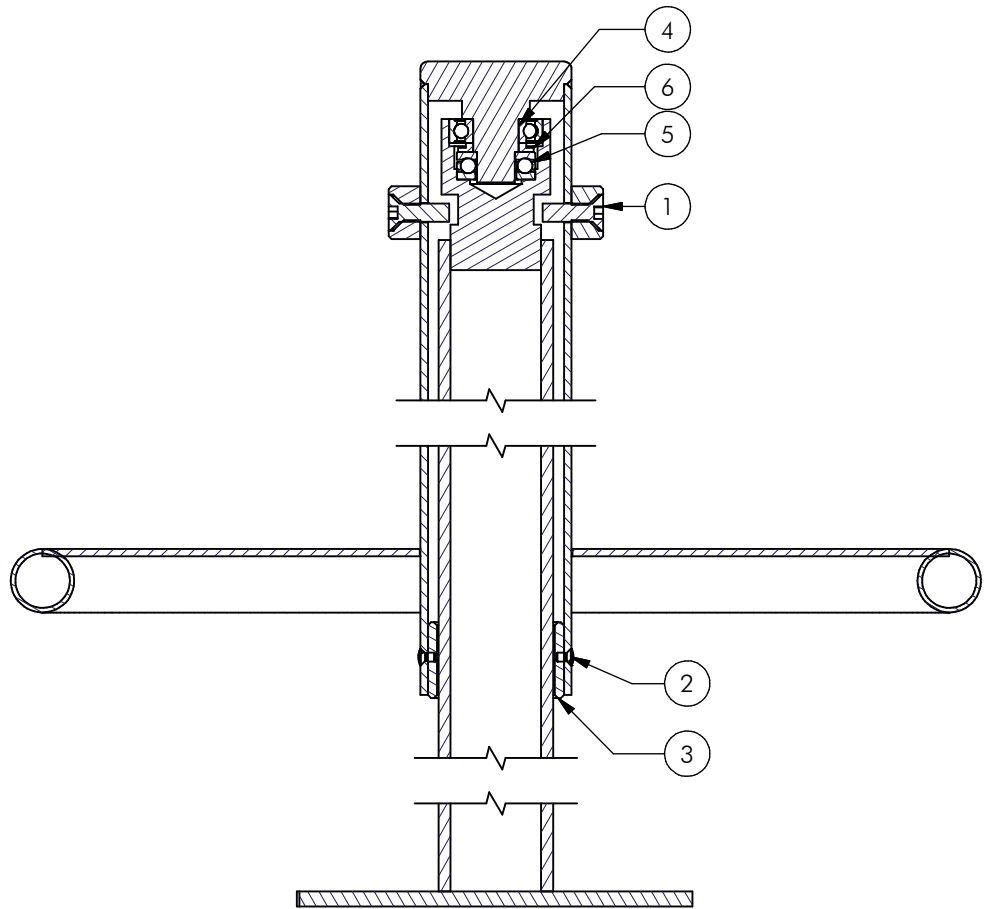
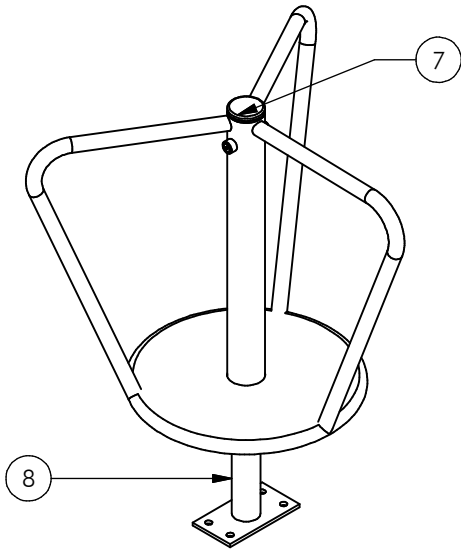
Typbezeichnung	Artikel Nr.	Länge (mm)	Breite (mm)	Höhe (mm)
Bockrutsche	30.2.501XXXXX	4265	575	2350
Bockrutsche	30.2.502XXXXX	4150	685	1500
Bockrutsche	30.2.503XXXXX	4500	735	1750
Bockrutsche	30.2.504XXXXX	4950	785	2000
Bockrutsche	30.2.505XXXXX	5550	835	2250
Wellenbockrutsche	30.2.506XXXXX	9000	1500	3747

Die oben aufgeführten Produkte dürfen wie folgt gekennzeichnet werden:
The above mentioned products could be provided with the following marking:

TÜV NORD CERT GmbH
Zertifizierungsstelle für
Produktsicherheit



B-B (1 :5)



Nr	#	Type	Progr.	Volgnr	Bew.	Rev.	Benaming	Opmerking
1	2	BSR	024	012	040		Platverz. Schroef M12x40	RVS
2	6	BSR	043	006	010		Verz. schroef gleuf	6 x 10 - RVS A2-70
3	1	KST	CSP	006	PA6		Nylon lagerbus	Tourniquet
4	1	LAG	KOG	006	206		Groefkogellager	Type 6206DDU
5	1	LAG	KOG	051	305		Kogeltaatslager	Type 51305
6	1	OME	CSP	232	372		Vulring	Tourniquet
7	1	SME	CSP	045	320		Tourniquet	Draaiend deel
8	1	SME	CSP	062			As Tourniquet	Classic Play



Benaming
Title Tourniquet

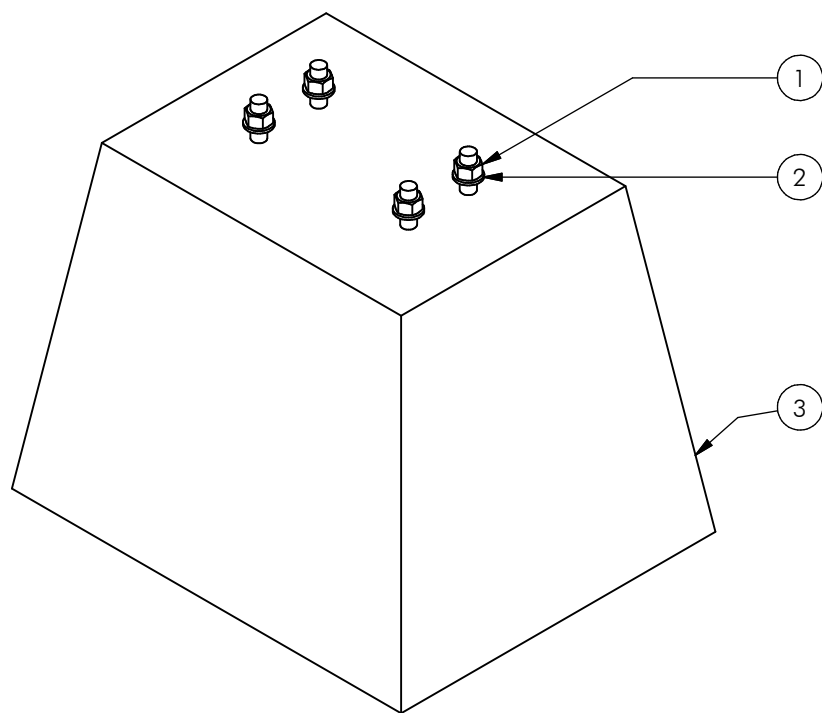
Opmerking
Comment Classic Play

Datum
Date 27-2-2015

Tekening
Drawing

MOD CSP 036 320

Samenstelling module Assembly module



Nr	#	Type	Progr.	Volgnr	Bew.	Rev.	Benaming	Opmerking
1	4	BSV	017	016	015		Zeskantmoer	M16 - VZ 8.8
2	4	BSV	030	016	003		SLUITRING	M16 x 3
3	1	OBT	POE	006	150		Poermodel 6	9802050060



Benaming
Title Poer model 6

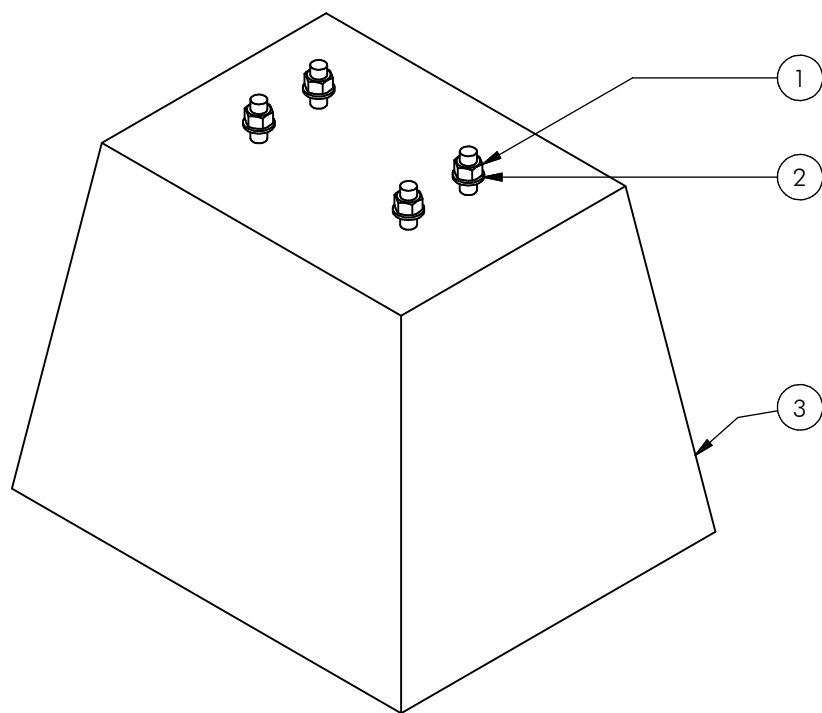
Opmerking
Comment 150 KG

Datum
Date 5-3-2015

Tekening
Drawing

MOD OBT 006 001

Samenstelling module Assembly module



Nr	#	Type	Progr.	Volgnr	Bew.	Rev.	Benaming	Opmerking
1	4	BSV	017	016	015		Zeskantmoer	M16 - VZ 8.8
2	4	BSV	030	016	003		SLUITRING	M16 x 3
3	1	OBT	POE	006	150		Poermodel 6	9802050060



Benaming
Title Poer model 6

Opmerking
Comment 150 KG

Datum
Date 5-3-2015

Tekening
Drawing

MOD OBT 006 001

Samenstelling module *Assembly module*