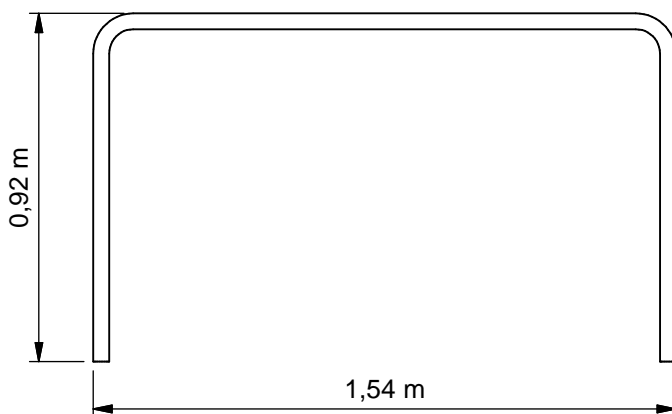
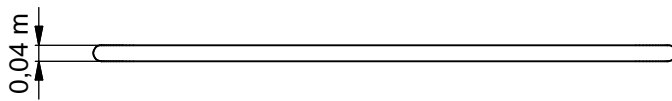




# Tumble bar

CSPE217.502



Benaming  
Title Enkelvoudige Duikelrek

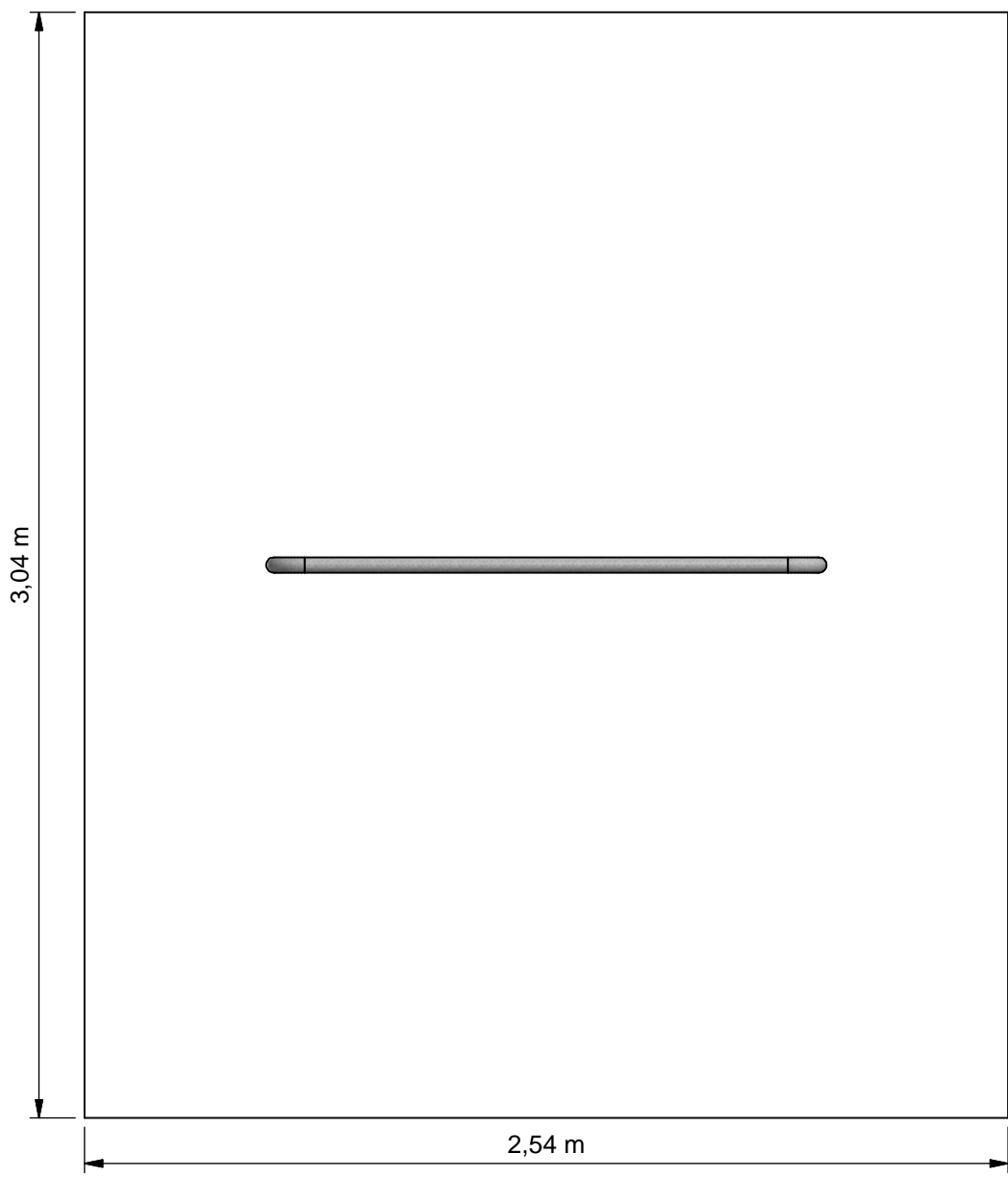
Opmerking  
Comment 0,9m hoog

Datum  
Date 2-3-2015

Tekening  
Drawing

TOE CSP 217 502

Afmetingen *Dimensions*



- Opvangzone  
*Impact area*
- Obstakelvrije zone  
*Obstacle free zone*



Benaming  
*Title* Enkelvoudige Duikelrek

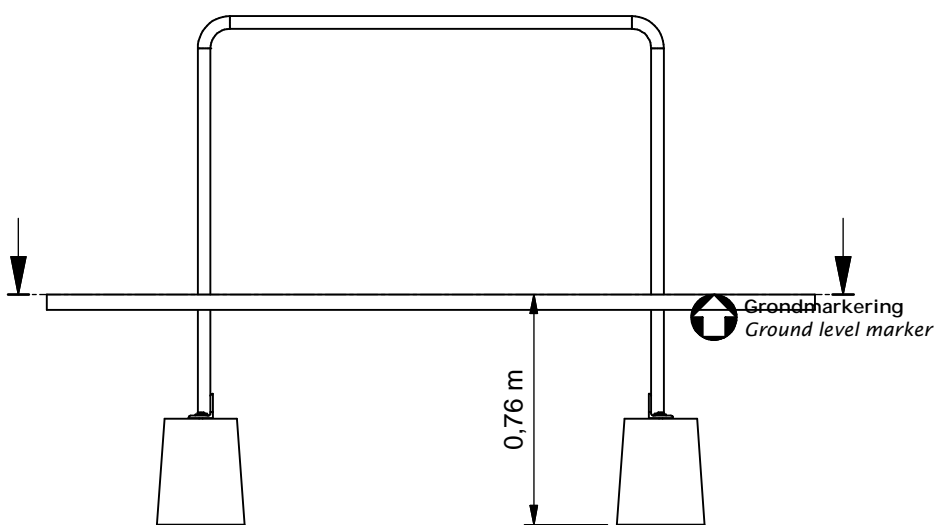
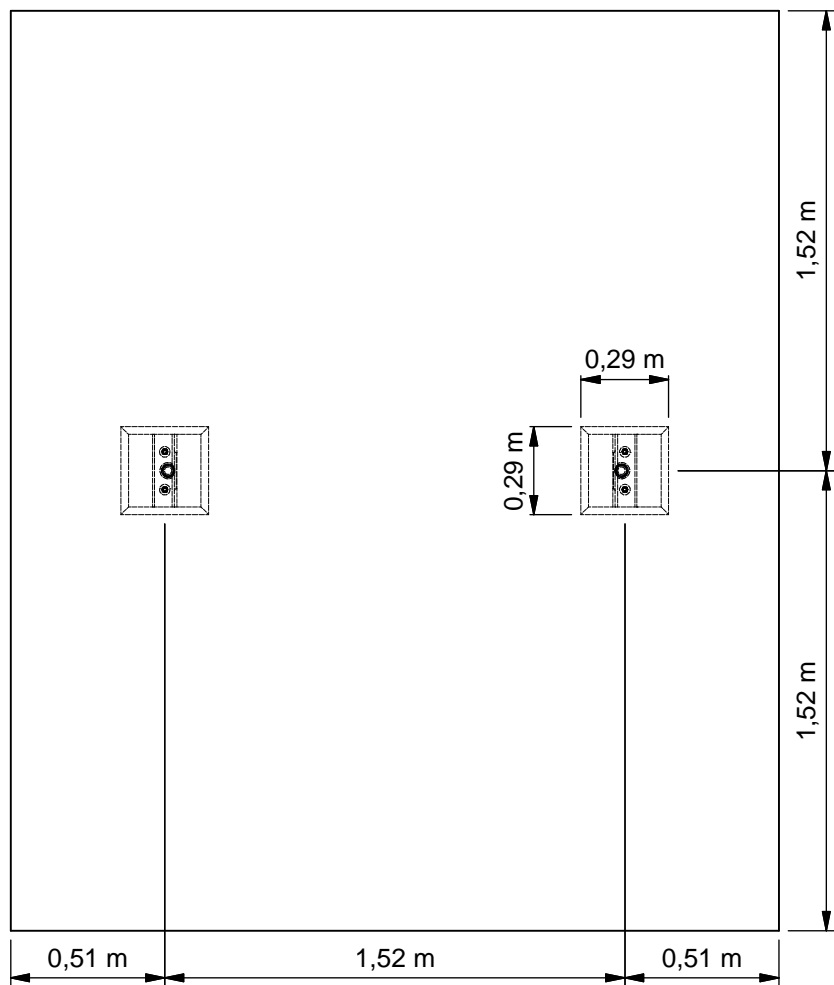
Opmerking  
*Comment* 0,9m hoog

Datum  
*Date* 2-3-2015

Tekening  
*Drawing*

**TOE CSP 217 502**

Obstakelvrije zone *Obstacle free zone*



Benaming  
Title Enkelvoudige Duikelrek

Opmerking  
Comment 0,9m hoog

Datum  
Date 2-3-2015

Tekening  
Drawing

TOE CSP 217 502

Bodemplan Groundplan

**Geleverde modules:**

Zie tabel

**Montageinstructie:**

- De hoofdmaten geven de maten van de staanders en vloeren aan
- De detailtekeningen geven specifiek de maten van de verbindingen aan
- De modules met buizen zijn op de tekeningen bemaat op bovenkant kopplaat
- Overige modules zijn bemaat op de bovenkant (klimwanden, paalkappen, etc.)

**Montagevolgorde:**

- 1 - Graaf de gaten volgens het bodemplan
- 2 - Assembleer en plaats 1+2
- 3 - Controleer of het toestel voldoet aan de afmetingen zoals op blad 'afmetingen'
- 4 - Dicht de gaten en verdicht het zand

**Controles:**

- 1 - Correcte opbouw en alle bevestigingsmiddelen
- 2 - Controleer de afmetingen van de valbodem t.o.v. het toestel

**Supplied modules:**

See table

**Assembly instruction:**

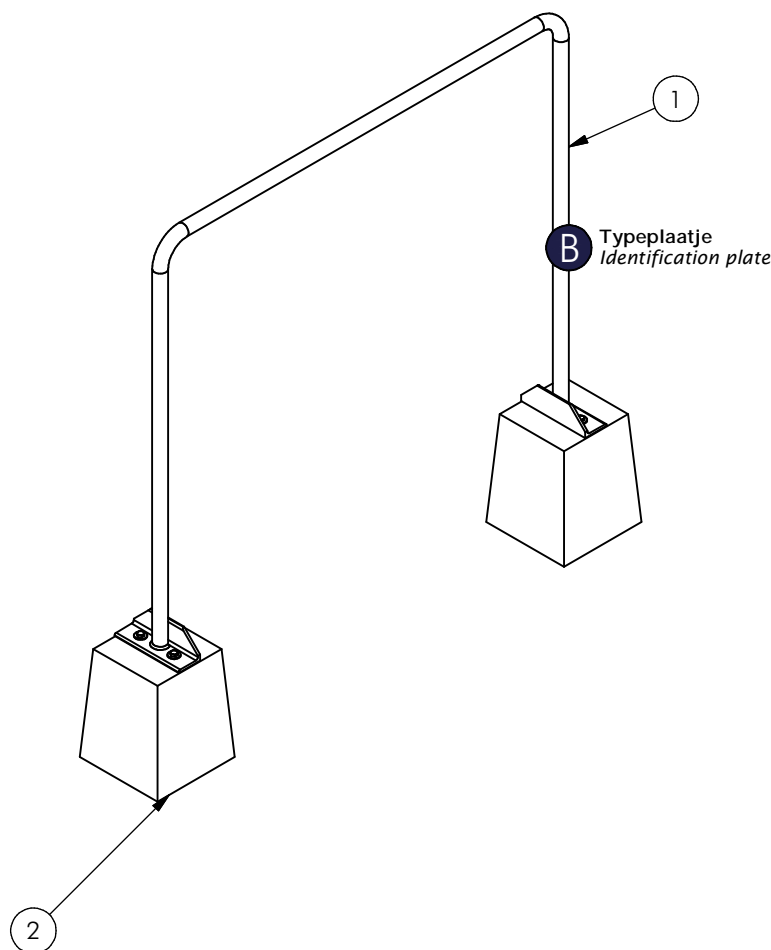
- The main dimensions indicate the dimensions of the posts and floors
- The detailed dimensions show the specific dimensions of the connections
- The modules which contain tubes are dimensioned at the top of the flanges
- Other modules are dimensioned at the top (climbing walls, caps for the posts, etc.)

**Assembly sequence:**

- 1 - Dig the holes according to the ground plan
- 2 - Assemble and place 1+2
- 3 - Check that the equipment conforms to the dimensions shown on sheet 'dimensions'
- 4 - Close the holes and compact the sand

**Checks:**

- 1 - Correct assembly and all the fasteners
- 2 - Check the dimensions of the safety area with regard to the play equipment



Nr	#	Type	Progr.	Volgnr	Bew.	Rev.	Benaming	Opmerking
1	1	MOD	CSP	025	502		Enkelvoudig Duikelrek	Staal
2	2	MOD	OBT	002	001		Poer model 2	55 KG



Benaming  
Title: Enkelvoudige Duikelrek

Opmerking  
Comment: 0,9m hoog

Datum  
Date: 2-3-2015

Tekening  
Drawing

TOE CSP 217 502

Modules Modules

# CSPE217.502

Tumble bar

## LOGBOOK

(Onderstaand logboek kan gebruikt worden om te voldoen aan de eisen, gesteld in artikel 14 van het Warenwetbesluit Attractie- en Speeltoestellen)

Type indication	Classic Play
Product code	CSPE217.502
Name of equipment	Duikelrek model 217 G RAL5002
Maximum height of fall	1,0 m
Year of construction	2017
Certificate	051944
inspection authority	TUV Nederland QA BV De Waal 21c, Best - 5684 PH Best
Name manufacturer	BOERplay Hyacintstraat 2 - 4255 HX Nieuwendijk Phone: +31 (0)183 40 23 66 Fax: +31 (0)183 40 35 64
name installer	_____ _____
Description of equipment	Tumble bar
Location of equipment	_____
Data about the owner of the play equipment	
Name:	_____
Address:	_____
Postcode and town:	_____
Contact person:	_____
Telephone number:	_____
Data about the administrator of the play equipment	
Name:	_____
Address:	_____
Postcode and town:	_____
Contact person:	_____
Telephone number:	_____

# LOGBOOK

## Inspection and maintenance intervals



Nr.	Inspection	Maintenance	months between inspections
1	Verify equipment's stability, junctions and missing parts. Inspect bolts, screws and nuts for absence, jams, corrosion and wear.	Add missing parts, secure joints, apply missing fixing agent and replace corroded parts.	1
2	Check suspension for wear.	Replace worn parts and/or remove non-functioning parts.	1
3	Inspect rotating parts such as hinges, rolling-element bearings, etc. for wear and acceptability.	Replace worn parts and/or remove non-functioning parts.	1
4	Check wood for splinters, unacceptable damage and signs of rot. Especially at ground level.	Repair damage. Replace affected wood. Smoothen splintered wood and sharp edges.	1
5	Inspect foundation for stability, tearing and coverage.	Restore foundation and covering material.	3
6	Examine rubber and synthetic parts for wear, damage and break.	Replace original parts.	3
7	Inspect metal for corrosion and damage in the coating.	Restore any damaged coating (after removing rust and applying primer).	6
8	Check ropes, cables, chains and nets for wear and damage. Steel cables and nets which are tensioned must be checked for tension.	Replace parts where necessary. Steel cables and nets must be tensioned.	3
9	Inspect equipment for unsafe changes and additions.	Remove unsafe additions and correct unsafe changes.	1
10	Inspect safety surfaces.	Restore and repair where necessary.	1

## Remarks

1. If used intensively, all points require extra attention.
2. Extreme weather conditions and locations may require a higher inspection frequency. Discuss this with the supplier.
3. Vandalism-sensitive locations require stricter inspections, possibly daily.
4. Check the terrain regularly for items that do not belong there, are unsafe or may be used wrongly. Examples are poisonous plants, glass shards, etc. Frequency depends on strain.
5. Remember that bad maintenance leads to unsafe conditions and notably faster impoverishment of the playground area.
6. Replacement parts can be ordered at the manufacturer with the part numbers on the module drawing. Drawings can be found in de user guide.
7. The impact area shall be provided with impact attenuating surface according to the specified falling height.
8. This list is conform the CEN-standard "playground equipment and surfacing NEN-EN 1176-7".

Warenwet

# Certificaat van Typeonderzoek Type Examination Certificate

afgegeven door issued by

## TÜV Nederland QA BV



aangewezen bij ministeriële beschikking van  
4 mei 2012, nr. VGP 3113590

commissioned by departmental order  
of 4 May 2012, no. VGP 3113590

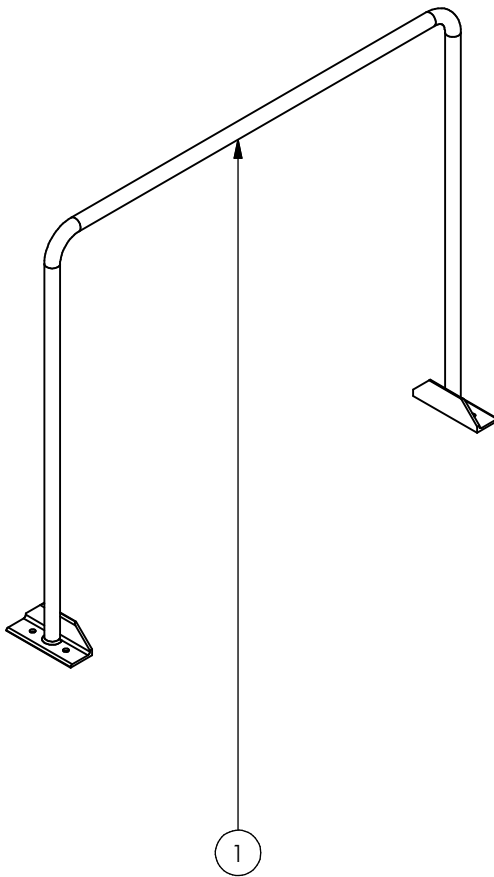
Certificaat nr. Certificate nr.	051944TA_20160406	Dossiernr. File nr.	051944TA
Productomschrijving Product description	Duikelrekken		
Evt. nadere aanduidingen Further indications	In RVS en gecoat en verzinkt staal		
voor nadere informatie zie bijbehorend rapport met gelijkloidend dossiernr. for further information see associated report with identical file nr.			
Eigenaar / certificaathouder en adres Owner/certificate holder and address	Boer Speeltoestellen B.V. Hyacintstraat 2 4255 HX NIEUWENDIJK		
Soort toestel Category of equipment	Speeltoestel / Playground equipment		
Fabrikant Manufacturer	Boer Speeltoestellen B.V. Hyacintstraat 2 4255 HX NIEUWENDIJK		
Type/Serienummer Type/Serial number	/		in te vullen door de fabrikant to be filled out by the manufacturer
Jaar van fabricage Year of construction	vanaf since 2015		
Leverancier Supplier	Boer Speeltoestellen B.V. Hyacintstraat 2 4255 HX NIEUWENDIJK		
Jaar van leverantie Year of supply	in te vullen door de leverancier to be filled out by the supplier		
Datum keuring Date of examination	23-09-2015 – 06-04-2016		

TÜV Nederland QA BV, de Waal 21C, NL-5684 PH Best verklaart, dat het bovenaangehaalde toestel voldoet aan de vervaardigingvoorschriften genoemd in het Warenwetbesluit attractie- en speeltoestellen (met als leidraad de normatieve documenten NEN-EN 1176:2008).

TÜV Nederland QA BV declares that the here above mentioned equipment meets the safety and health requirements mentioned in the Dutch law "Warenwetbesluit attractie- en speeltoestellen" (guided by normative documents EN 1176:2008).

<p>Namens het bestuur, For the board,</p> <p>E. Franken Managing Director</p>	
---	--





Nr	#	Type	Progr.	Volgnr	Bew.	Rev.	Benaming	Opmerking
1	1	SME	CSP	025	502		Duikelrek Staal	80221700005



Benaming  
Title Enkelvoudig Duikelrek

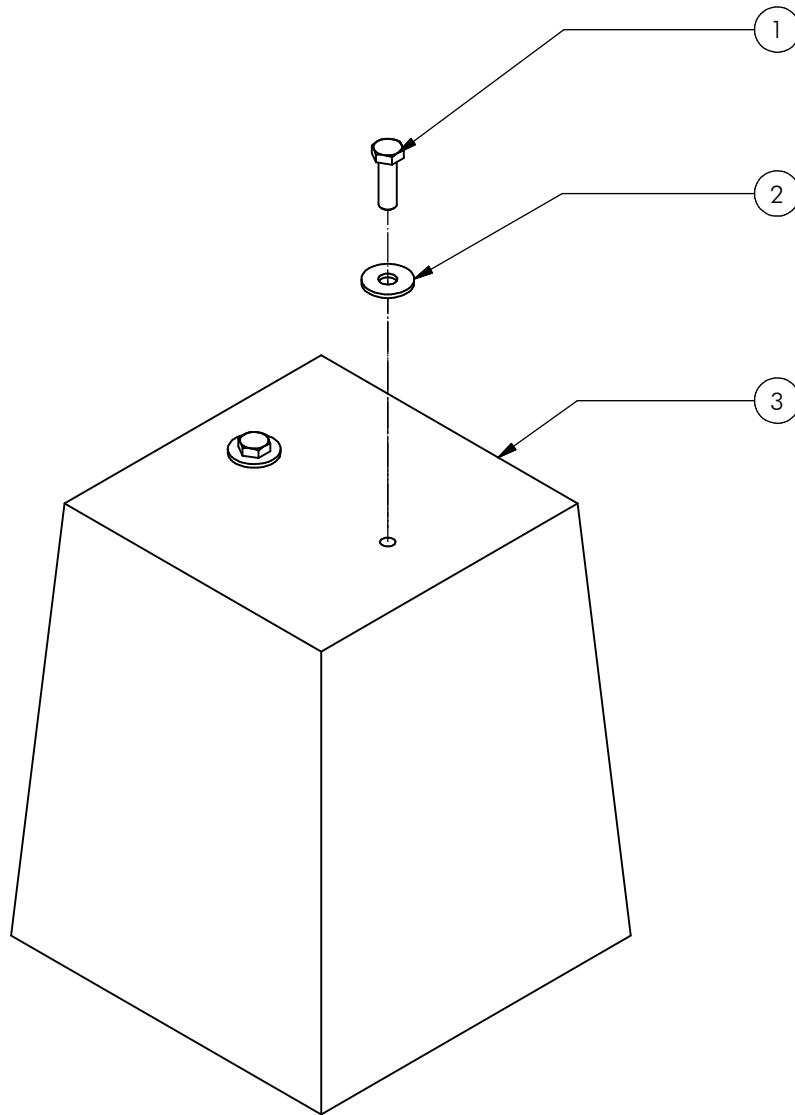
Opmerking  
Comment Staal

Datum  
Date 27-2-2015

Tekening  
Drawing

**MOD CSP 025 502**

Samenstelling module *Assembly module*



Nr	#	Type	Progr.	Volgnr	Bew.	Rev.	Benaming	Opmerking
1	2	BSV	021	012	040		Zeskantbout ISO 4014	M12 x 40 - VZ 8.8
2	2	BSV	035	012	035		Carrosseriering	M12 x 35 - VZ 8.8
3	1	OBT	POE	002	055		Poer model 2	55 kg



Benaming  
Title Poer model 2

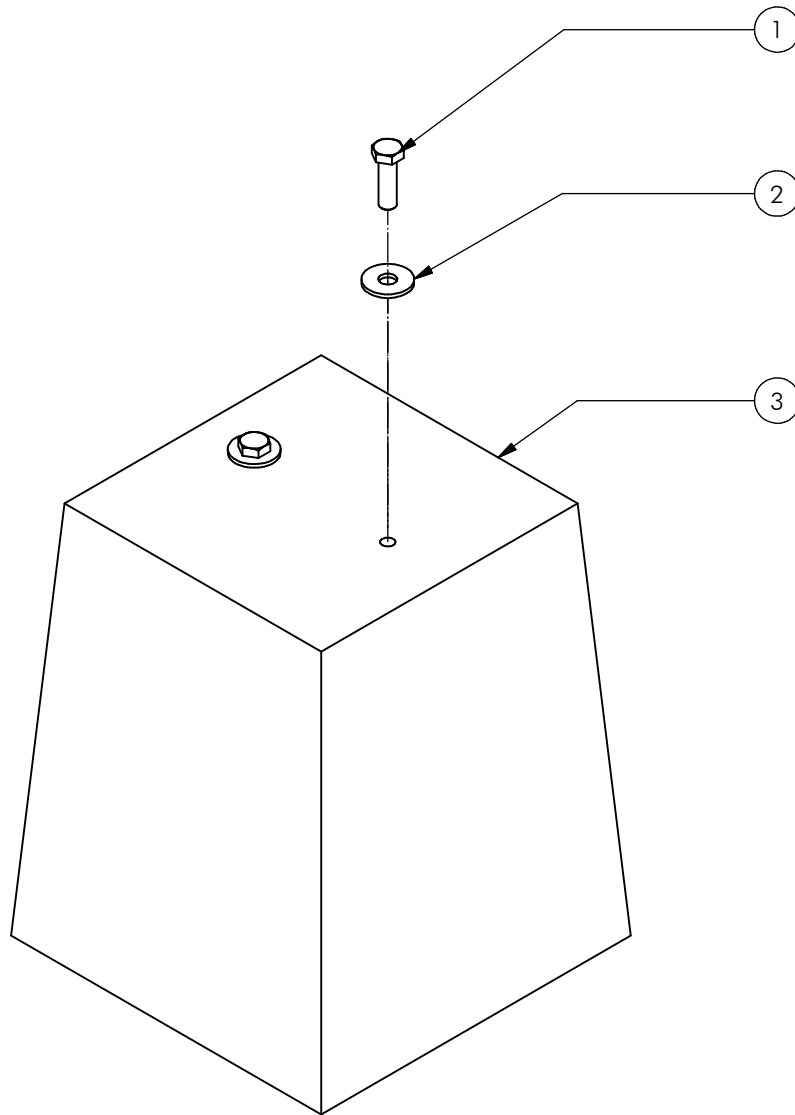
Opmerking  
Comment 55 KG

Datum  
Date 5-3-2015

Tekening  
Drawing

# MOD OBT 002 001

Samenstelling module *Assembly module*



Nr	#	Type	Progr.	Volgnr	Bew.	Rev.	Benaming	Opmerking
1	2	BSV	021	012	040		Zeskantbout ISO 4014	M12 x 40 - VZ 8.8
2	2	BSV	035	012	035		Carrosseriering	M12 x 35 - VZ 8.8
3	1	OBT	POE	002	055		Poer model 2	55 kg



Benaming  
Title Poer model 2

Opmerking  
Comment 55 KG

Datum  
Date 5-3-2015

Tekening  
Drawing

# MOD OBT 002 001

Samenstelling module *Assembly module*