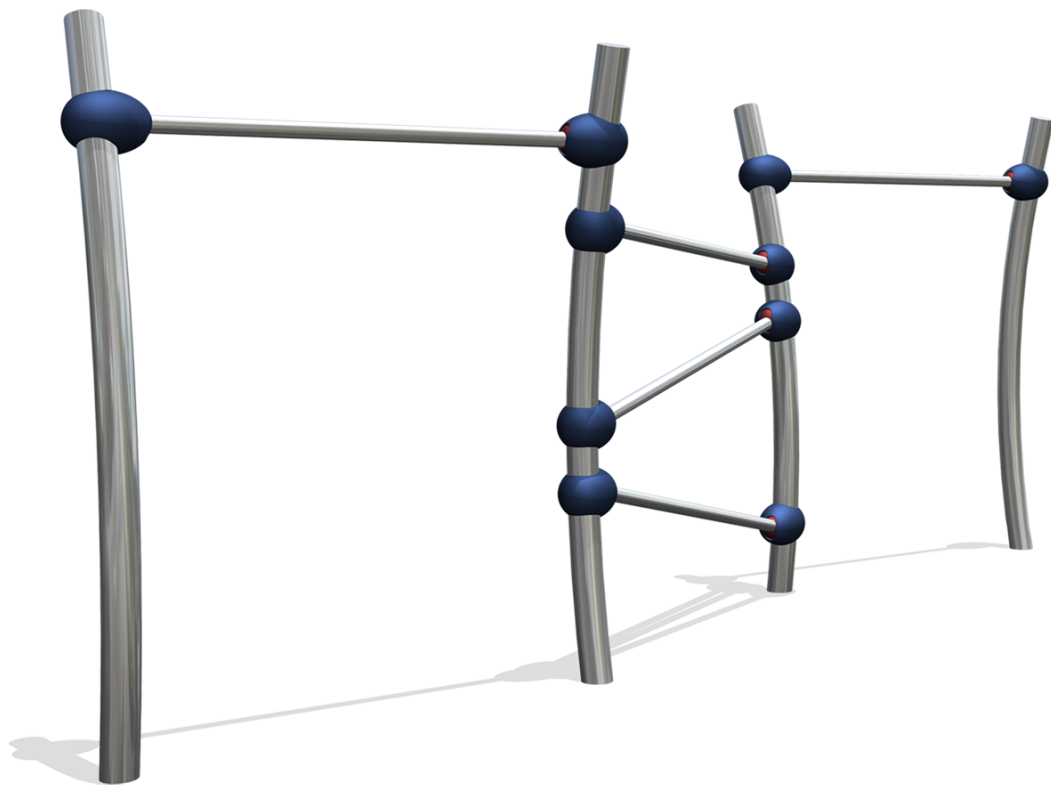
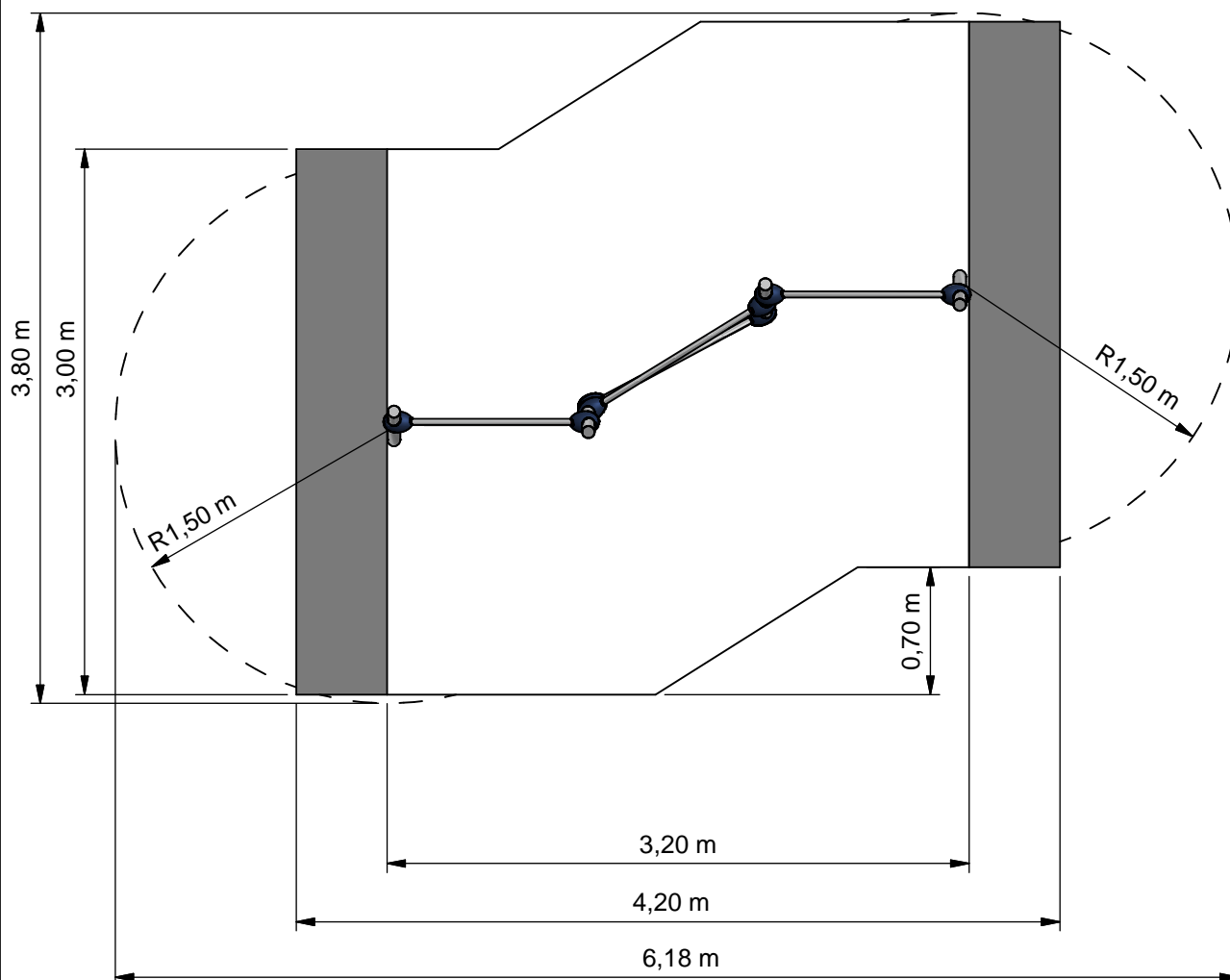




Trio climbing tumble bar



SOLE030.222



- Obstakelvrij EN-1176**
- Obstacle free EN-1176**
- Opvangzone**
Impact area
- Obstakelvrij WAS**
Obstacle free WAS



Benaming
Title Klimduikel trio

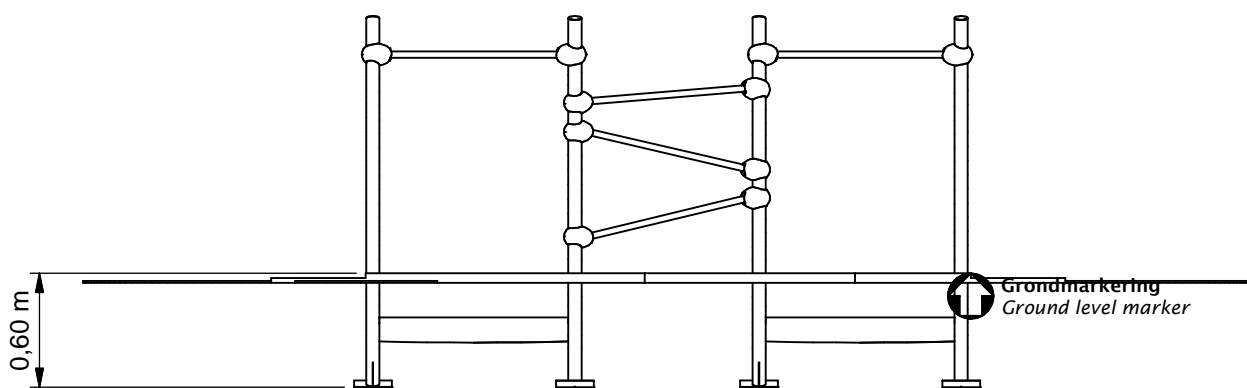
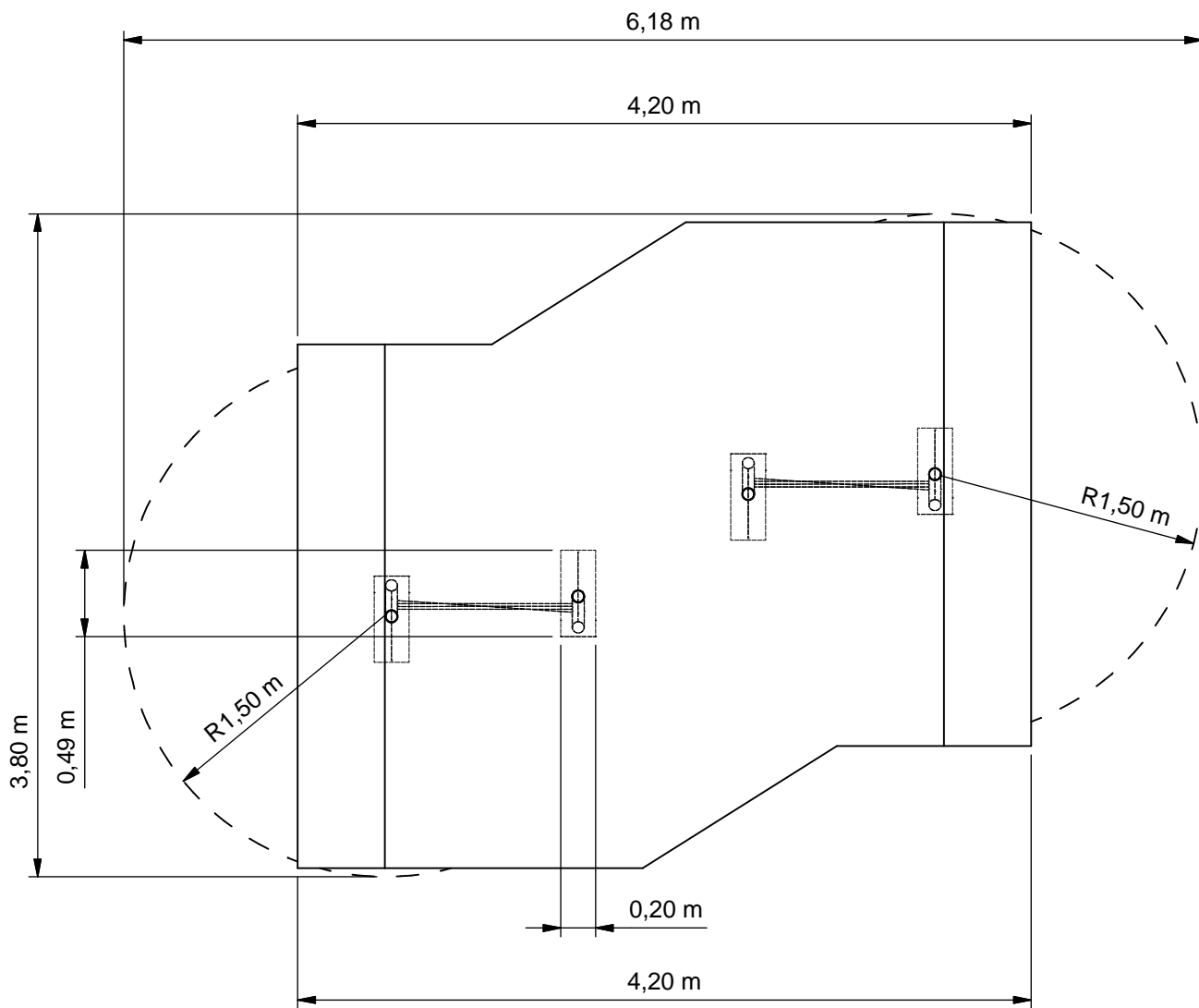
Opmerking
Comment Pionier

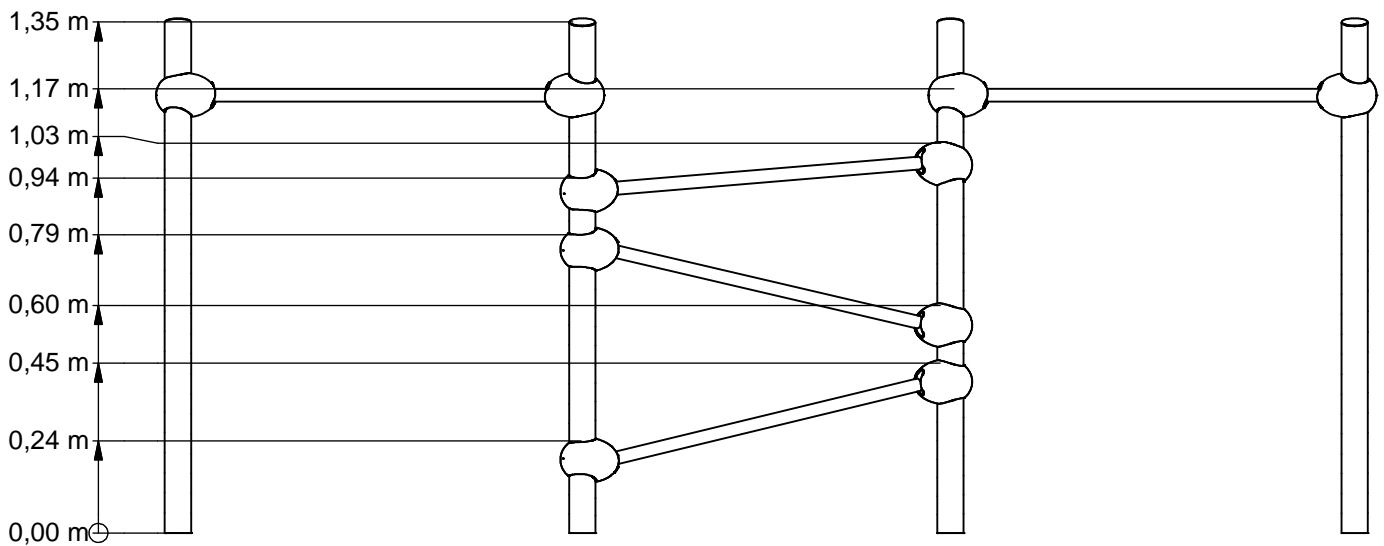
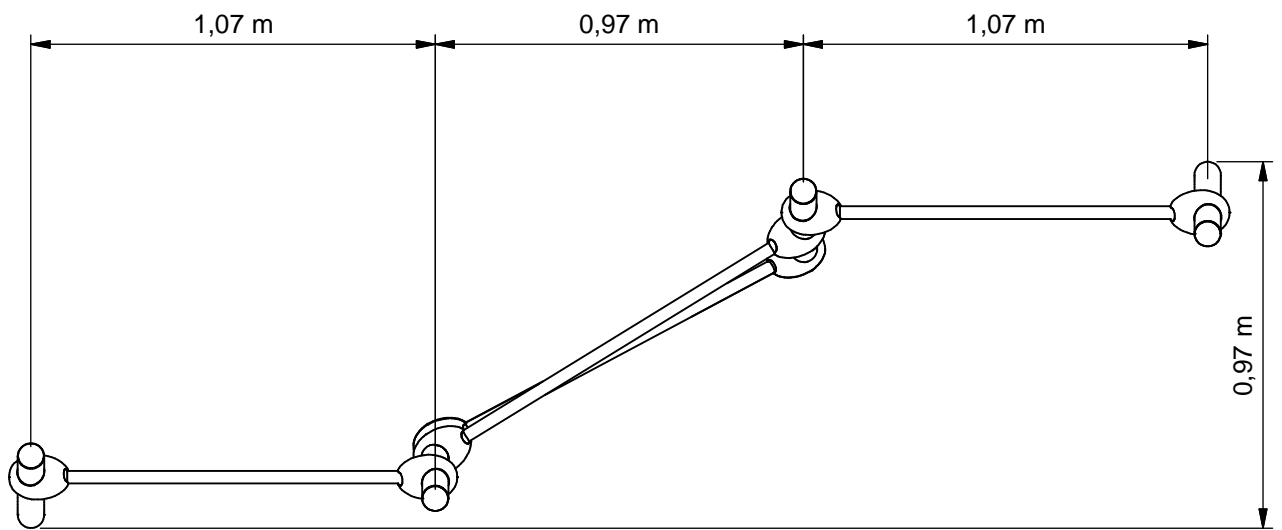
Datum
Date 26-1-2017

Tekening
Drawing

TOE SOL 030 222

Obstakelvrije zone Obstacle free zone





Geleverde modules:

Zie tabel

Supplied modules:

See table

Montageinstructie:

- De hoofdmaten geven de maten van de staanders en vloeren aan
- De detailtekeningen geven specifiek de maten van de verbindingen aan
- De modules met buizen zijn op de tekeningen bemaat op bovenkant kopplaat
- Overige modules zijn bemaat op de bovenkant (klimwanden, paalkappen, etc.)

Assembly instruction:

- The main dimensions indicate the dimensions of the posts and floors
- The detailed dimensions show the specific dimensions of the connections
- The modules which contain tubes are dimensioned at the top of the flanges
- Other modules are dimensioned at the top (climbing walls, caps for the posts, etc.)

Montagevolgorde:

- 1 - Graaf de gaten volgens het bodemplan
- 2 - Plaats 1 en 1
- 3 - Verbind 1 en 1 met 2 en 2x 3
- 4 - Controleer of het toestel voldoet aan de afmetingen zoals op blad 'afmetingen'
- 5 - Dicht de gaten en verdicht het zand

Assembly sequence:

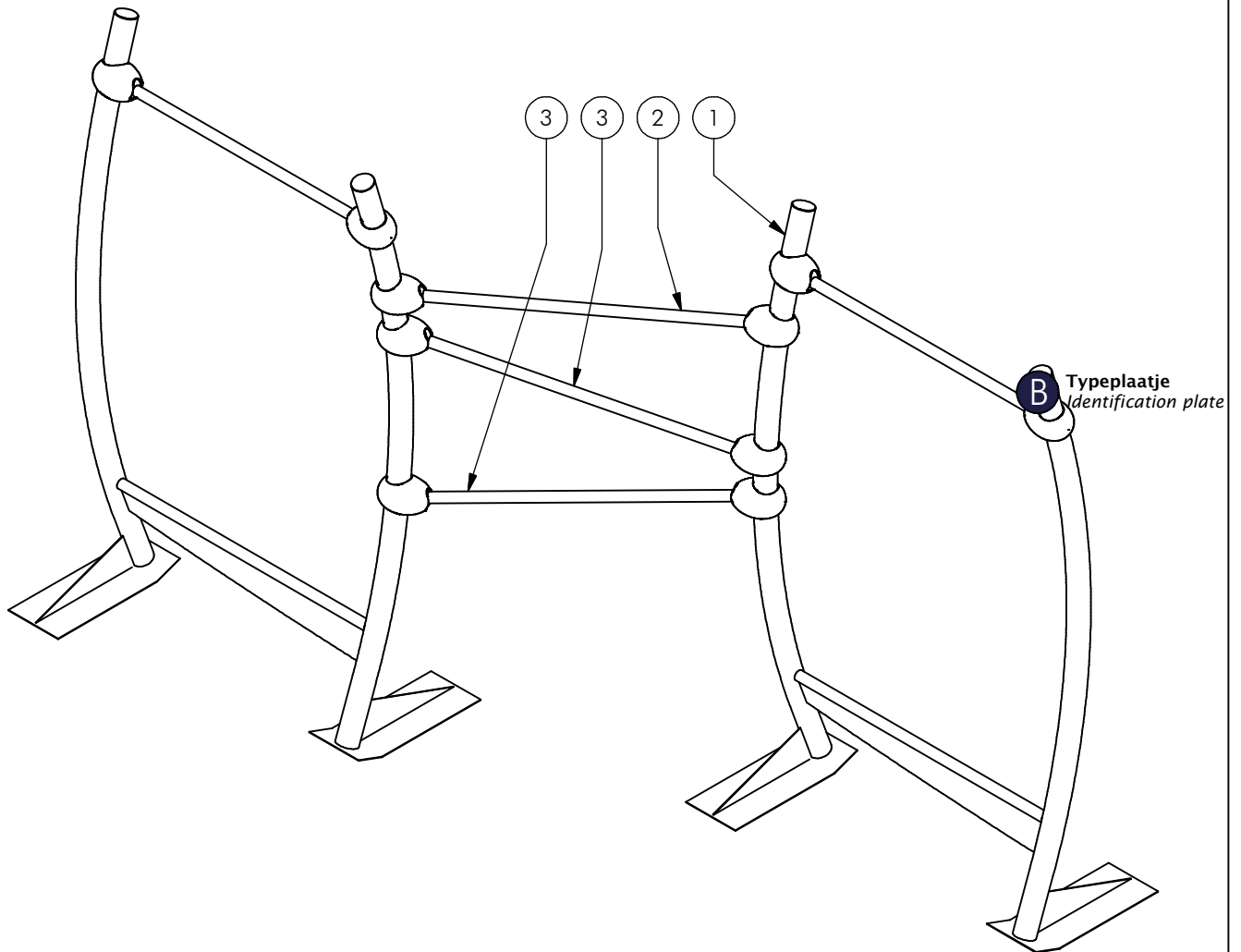
- 1 - Dig the holes according to the ground plan
- 2 - Place 1 and 1
- 3 - Connect 1 and 1 with 2 and 2x 3
- 4 - Check that the equipment conforms to the dimensions shown on sheet 'dimensions'
- 5 - Close the holes and compact the sand

Controles:

- 1 - Correcte opbouw en alle bevestigingsmiddelen
- 2 - Controleer de afmetingen van de valbodem t.o.v. het toestel

Checks:

- 1 - Correct assembly and all the fasteners
- 2 - Check the dimensions of the safety area with regard to the play equipment



Nr	#	Type	Progr.	Volgnr	Bew.	Rev.	Benaming	Opmerking
1	2	MOD	PNR	500	000		Duikelrek	115 cm
2	1	MOD	PNR	502	000		Duikelstang 100 cm	Pionier
3	2	MOD	PNR	503	000		Duikelstang 98 cm	Pionier



Benaming
Title | Klimduikel trio

Opmerking
Comment | Pionier

Datum
Date | 26-1-2017

Tekening
Drawing

TOE SOL 030 222

Modules Modules

SOLE030.222

Trio climbing tumble bar

LOGBOOK

(Onderstaand logboek kan gebruikt worden om te voldoen aan de eisen, gesteld in artikel 14 van het Warenwetbesluit Attractie- en Speeltoestellen)

Type indication	Pioneer Play
Product code	SOLE030.222
Name of equipment	Klimduikel Trio pionier
Maximum height of fall	1,2 m
Year of construction	2017
Certificate	09100312703
inspection authority	Liftinstituut B.V. Buikslotermeerplein 381, A'dam - 1025 XE Amsterdam
Name manufacturer	BOERplay Hyacintstraat 2 - 4255 HX Nieuwendijk Phone: +31 (0)183 40 23 66 Fax: +31 (0)183 40 35 64
name installer	_____ _____
Description of equipment	Trio climbing tumble bar
Location of equipment	_____
Data about the owner of the play equipment	
Name:	_____
Address:	_____
Postcode and town:	_____
Contact person:	_____
Telephone number:	_____
Data about the administrator of the play equipment	
Name:	_____
Address:	_____
Postcode and town:	_____
Contact person:	_____
Telephone number:	_____

LOGBOOK

Inspection and maintenance intervals



Nr.	Inspection	Maintenance	months between inspections
1	Verify equipment's stability, junctions and missing parts. Inspect bolts, screws and nuts for absence, jams, corrosion and wear.	Add missing parts, secure joints, apply missing fixing agent and replace corroded parts.	1
2	Check suspension for wear.	Replace worn parts and/or remove non-functioning parts.	1
3	Inspect rotating parts such as hinges, rolling-element bearings, etc. for wear and acceptability.	Replace worn parts and/or remove non-functioning parts.	1
4	Check wood for splinters, unacceptable damage and signs of rot. Especially at ground level.	Repair damage. Replace affected wood. Smoothen splintered wood and sharp edges.	1
5	Inspect foundation for stability, tearing and coverage.	Restore foundation and covering material.	3
6	Examine rubber and synthetic parts for wear, damage and break.	Replace original parts.	3
7	Inspect metal for corrosion and damage in the coating.	Restore any damaged coating (after removing rust and applying primer).	6
8	Check ropes, cables, chains and nets for wear and damage. Steel cables and nets which are tensioned must be checked for tension.	Replace parts where necessary. Steel cables and nets must be tensioned.	3
9	Inspect equipment for unsafe changes and additions.	Remove unsafe additions and correct unsafe changes.	1
10	Inspect safety surfaces.	Restore and repair where necessary.	1

Remarks

1. If used intensively, all points require extra attention.
2. Extreme weather conditions and locations may require a higher inspection frequency. Discuss this with the supplier.
3. Vandalism-sensitive locations require stricter inspections, possibly daily.
4. Check the terrain regularly for items that do not belong there, are unsafe or may be used wrongly. Examples are poisonous plants, glass shards, etc. Frequency depends on strain.
5. Remember that bad maintenance leads to unsafe conditions and notably faster impoverishment of the playground area.
6. Replacement parts can be ordered at the manufacturer with the part numbers on the module drawing. Drawings can be found in de user guide.
7. The impact area shall be provided with impact attenuating surface according to the specified falling height.
8. This list is conform the CEN-standard "playground equipment and surfacing NEN-EN 1176-7".

TYPE-EXAMINATION CERTIFICATE

Acting under the " Warenwetbesluit Attractie- en Speeltoestellen" issued by Liftinstituut B.V.
commissioned by departmental order, no. VGP/PSL 2857566 from 27 Juni 2008.

Certificate nr. : NL 09-100312703 Revision nr.: -

Description of the product : Pionier duikels, playground equipment

Trademark, type : Boer Speeltoestellen
TOE SOL: 030 215, 030 220, 030 221, 030 222, 030 225,
030 226, 030 227, 030 230, 030 231, 030 232

Name and address of the manufacturer : Boer Speeltoestellen
Hyacinthstraat 2
4255 HX Nieuwendijk

Name and address of the certificate holder : Boer Speeltoestellen
Hyacinthstraat 2
4255 HX Nieuwendijk

Certificate issued on the basis of the following requirements : Warenwetbesluit Attractie- en Speeltoestellen,
NEN-EN 1176-1:2008

Test laboratory : None

Date and number of the laboratory report : None

Date of type-examination : 13 October 2008 – 19 January 2009

Annexes with this certificate : Report belonging to the type-examination certificate
nr.: 100312703

Additional remarks : None

Conclusion : The playground equipment meets the requirements of the above
specified European standard(s) and "Warenwetbesluit Attractie-
en Speeltoestellen" taking into account any additional remarks
mentioned above.

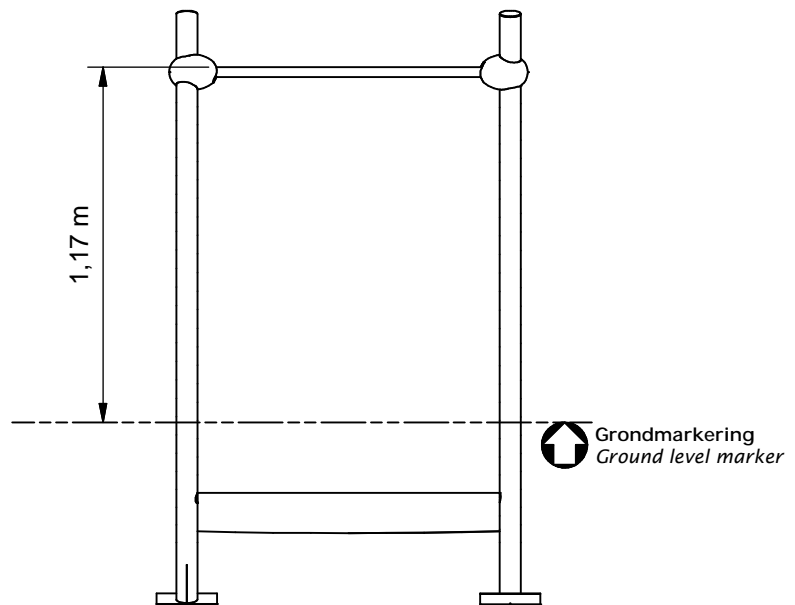
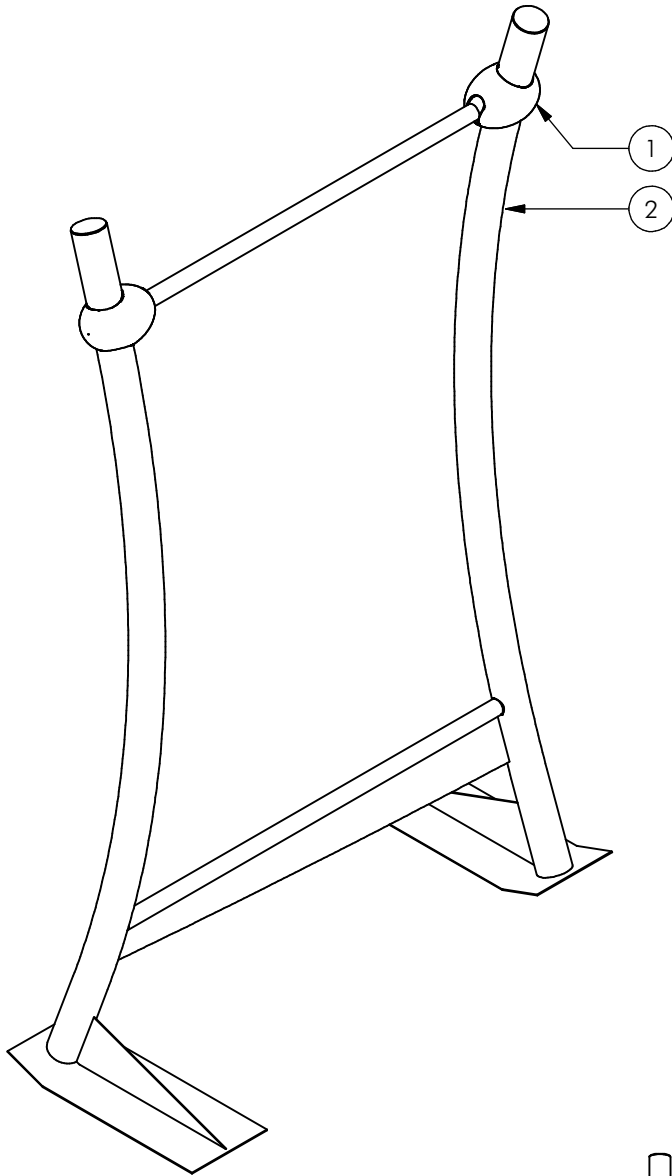
Issued in Amsterdam
Date of issue : 7 April 2009



Ir. V.M.A. Barendregt
LIFTINSTITUUT B.V.
Senior Officer Certification
& Technology



Drs. B. Mulder
LIFTINSTITUUT B.V.
Director Certification &
Inspection International



2	1	SME	PNR	201	320	A	Duikel frame	115 cm
1	2	SMD	PNR	005	000		Submodule	EI 05
POS	N	TYPE	PROJ.	NR.	BEH.	R	BENAMING	OPMERKING



Benaming
Title Duikelrek

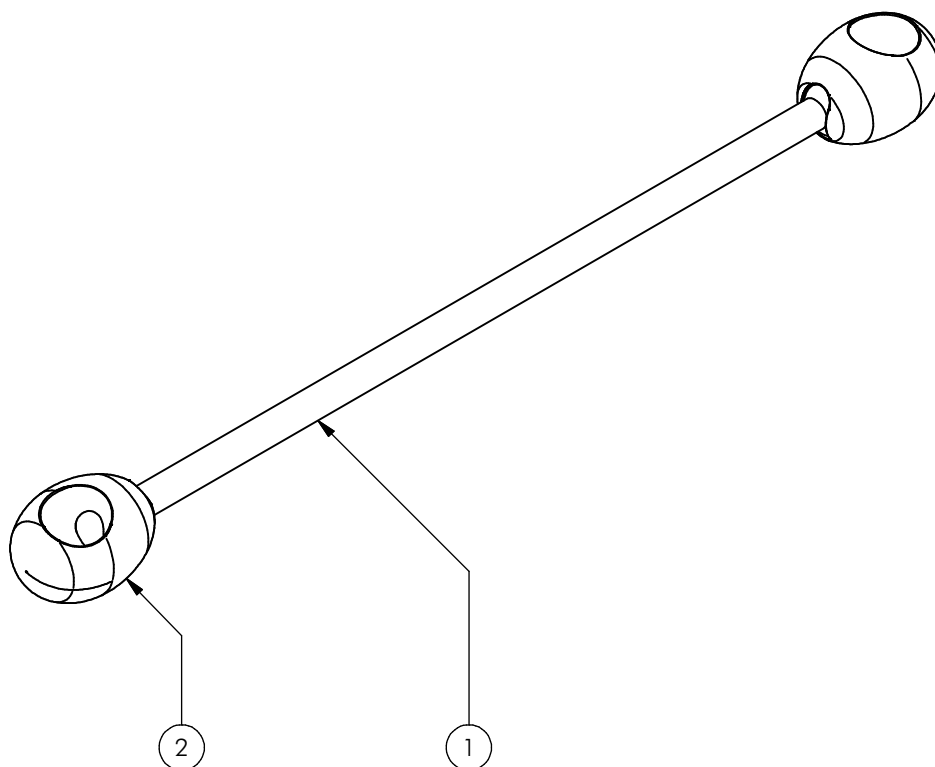
Opmerking
Comment 115 cm

Datum
Date 9-10-2008

Tekening
Drawing

MOD PNR 500 000

Samenstelling module *Assembly module*



2	2	SMD	PNR	005	000	Submodule	EI 05	
1	1	OME	PNR	130	102	Klimstang PNR 33.7x2	Lengte 1020 cm HOH	
POS	N	TYPE	PROJ.	NR.	BEH.	R	BENAMING	OPMERKING



Benaming
Title Duikelstang 100 cm

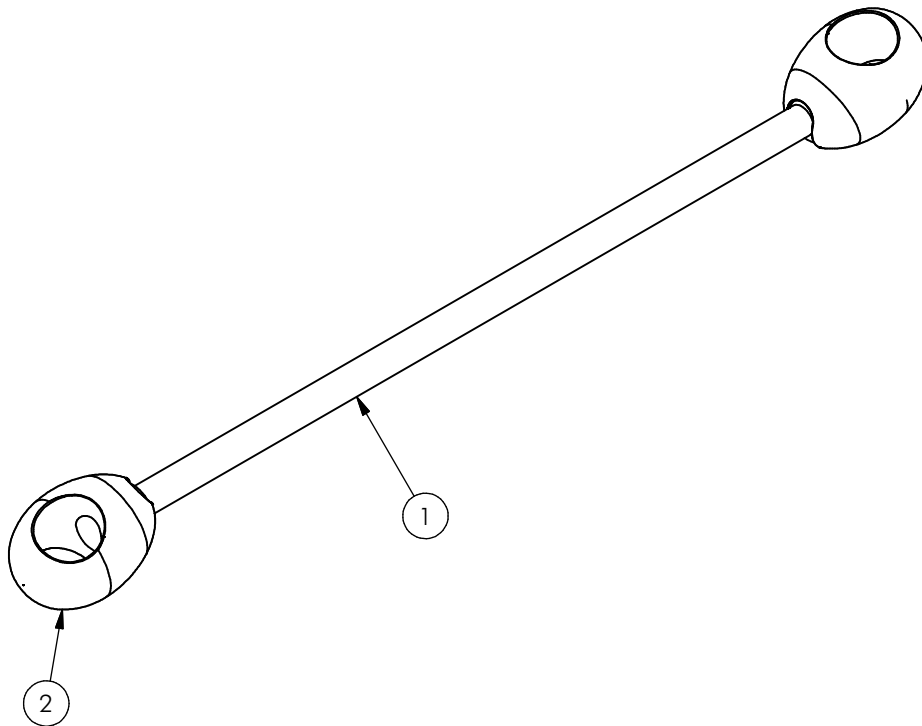
Opmerking
Comment Pionier

Datum
Date 3-10-2008

Tekening
Drawing

MOD PNR 502 000

Samenstelling module *Assembly module*



2	2	SMD	PNR	005	000		Submodule	EI 05
1	1	OME	PNR	130	100		Klimstang PNR 33.7x2	Lengte 1000 cm HOH
POS	N	TYPE	PROJ.	NR.	BEH.	R	BENAMING	OPMERKING



Benaming Title: Duikelstang 98 cm
 Opmerking Comment: Pionier
 Datum Date: 6-10-2008

Tekening Drawing

MOD PNR 503 000

Samenstelling module *Assembly module*