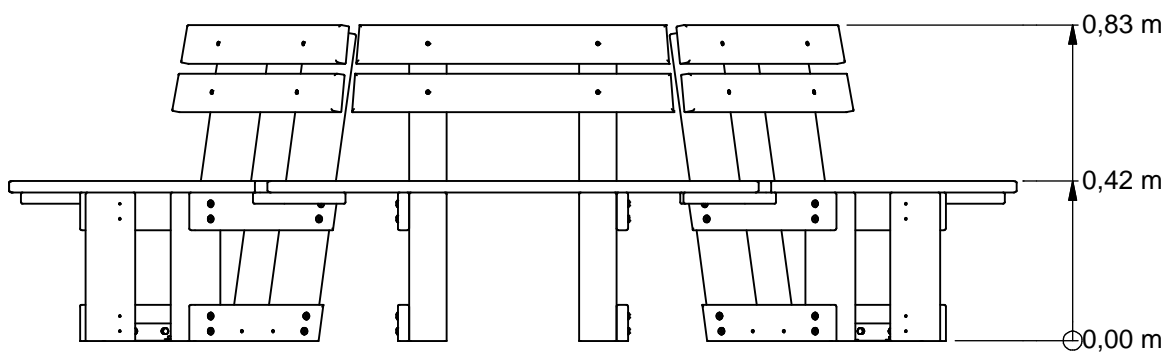
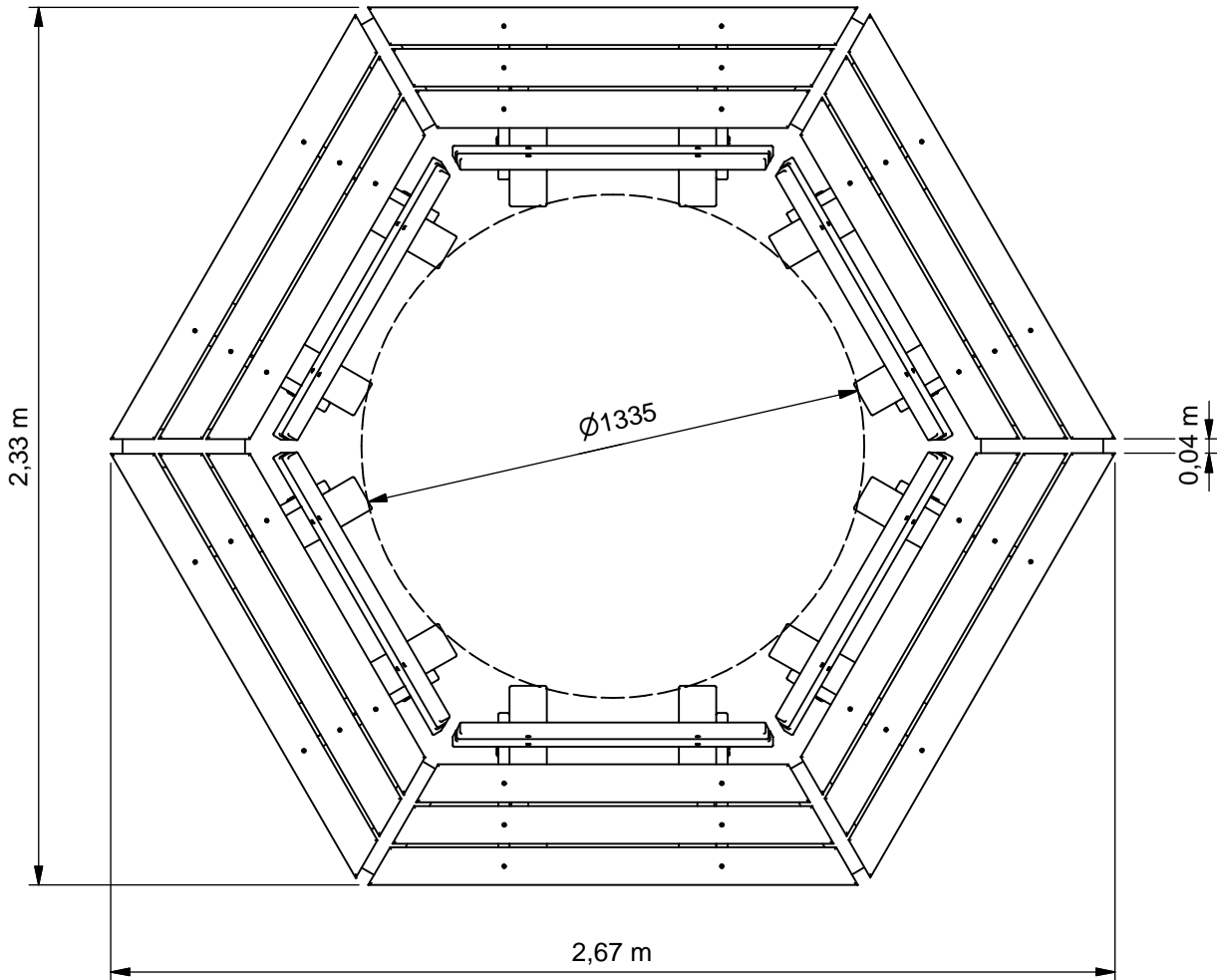




Tree bench



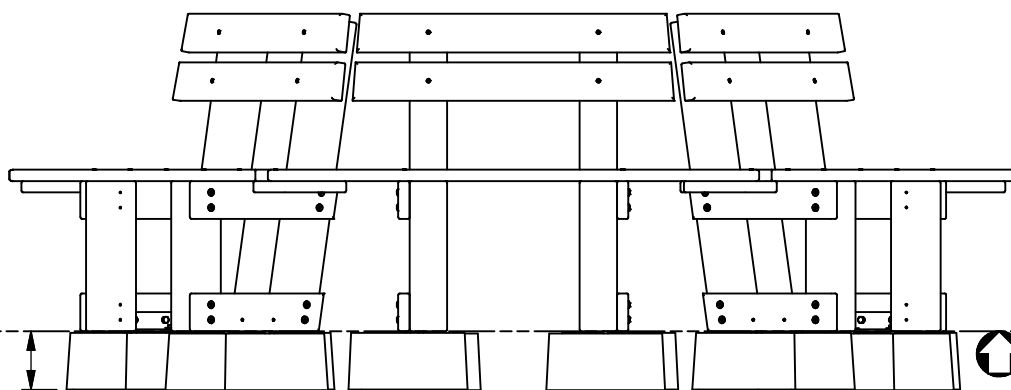
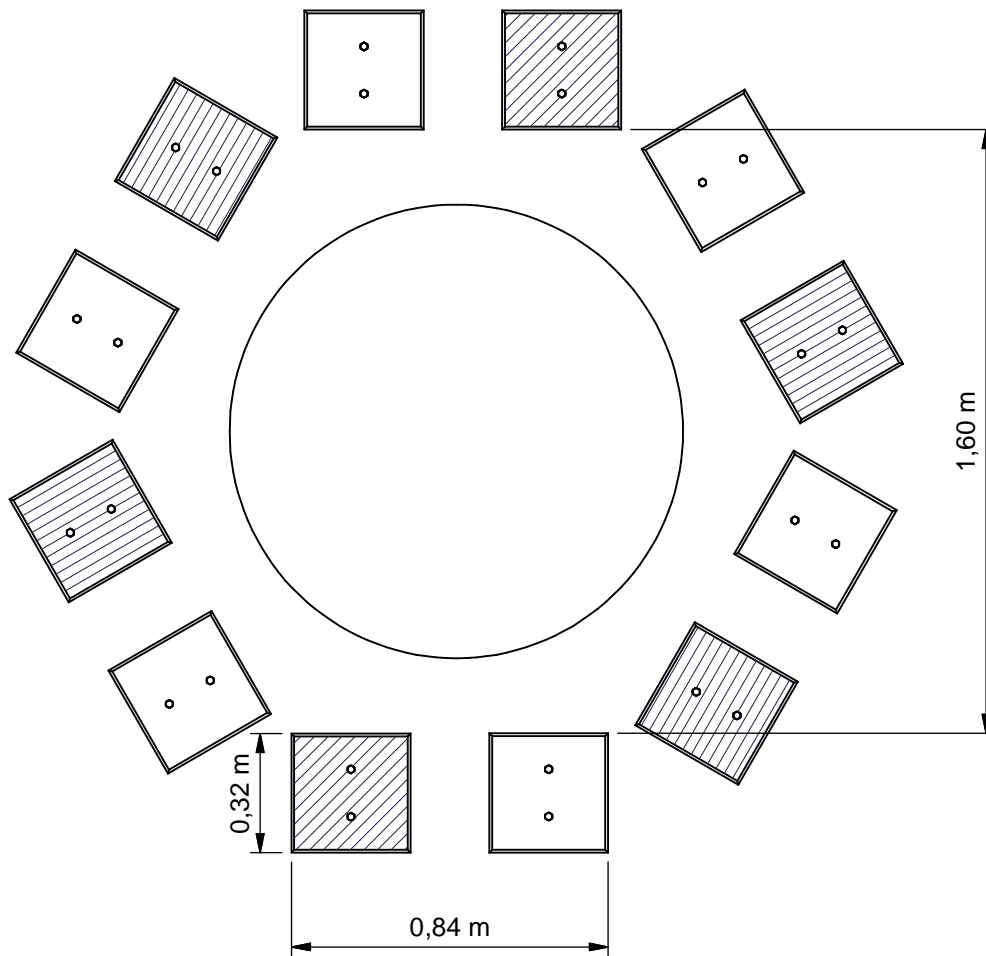
PKNE103.120



Benaming
 Title Boombank
 Opmerking
 Comment Op poeren
 Datum
 Date 27-8-2015

Tekening
 Drawing

TOE PKN 103 120 A
 Hoofdafmetingen *Main dimensions*



0,15 m

Grondmarkering
Ground level marker



Benaming
Title Boombank
Opmerking
Comment Op poeren
Datum
Date 27-8-2015

Tekening
Drawing

TOE PKN 103 120 A

Bodemplan Groundplan

Geleverde modules:

Zie tabel

Supplied modules:

See table

Montageinstructie:

- De hoofdmaten geven de maten van de leuning en het zitvlak aan

Assembly instruction:

- The main dimensions indicate the dimensions of the seat

Montagevolgorde:

- 1 - Plaats de 6 bankdelen volgens de bemating om de boom
- 2 - Bepaal de te graven gaten
- 3 - Graaf de gaten en plaats de bankdelen
- 4 - Bevestig de bankdelen aan elkaar volgens de maten op het blad "Hoofdafmetingen"
- 5 - Controleer of het toestel voldoet aan de afmetingen zoals op blad "Hoofdafmetingen"
- 6 - Dicht de gaten en verdicht het zand

Assembly sequence:

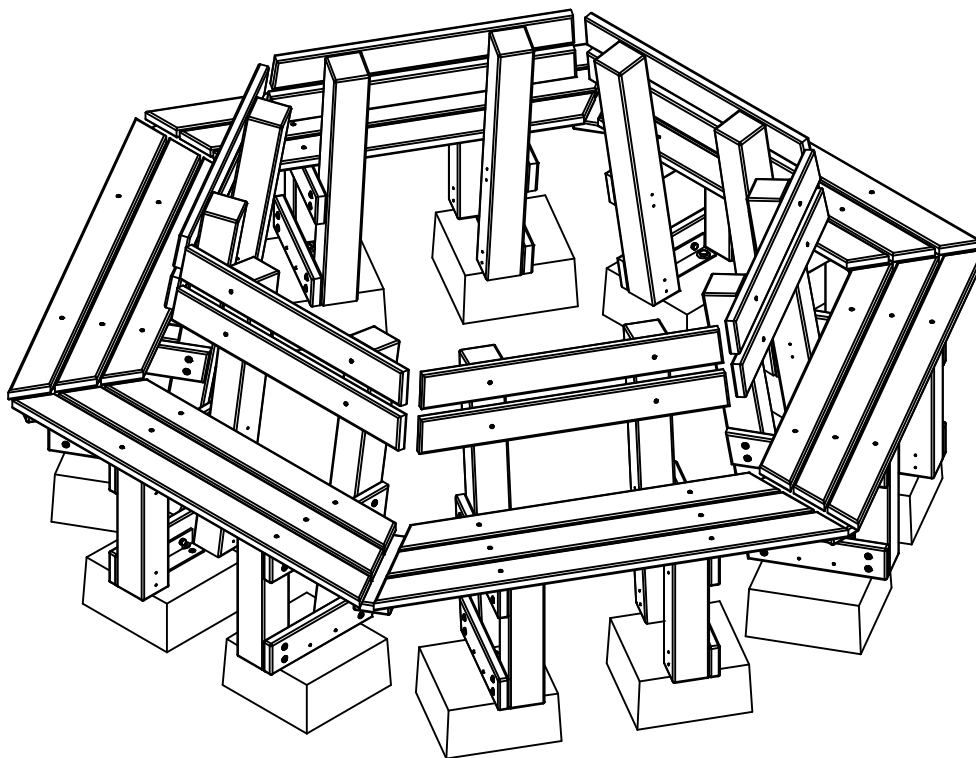
- 1 - Place the 6 benchparts around the tree
- 2 - Determinate the holes to dig
- 3 - Dig the holes and place the benchparts
- 4 - Attach the benchparts to each other according to the dimensions shown on sheet 'dimensions'
- 5 - Check that the equipment conforms to the dimensions shown on sheet 'dimensions'
- 6 - Close the holes and compact the sand

Controles:

- 1 - Correcte opbouw en alle bevestigingsmiddelen
- 2 - Controleer de afmetingen van de valbodem t.o.v. het toestel

Checks:

- 1 - Correct assembly and all the fasteners
- 2 - Check the dimensions of the safety area with regard to the play equipment



Nr	#	Type	Progr.	Volgnr	Bew.	Rev.	Benaming	Opmerking
1	12	MOD	OBT	009	001		Poer Model 9	Gewicht 33,5 kg
2	6	MOD	PKN	103	120	A	Bank	Boombank



Benaming
Title Boombank

Opmerking
Comment Op poeren

Datum
Date 27-8-2015

Tekening
Drawing

TOE PKN 103 120 A

Modules Modules

PKNE103.120

Tree bench

LOGBOOK

(Onderstaand logboek kan gebruikt worden om te voldoen aan de eisen, gesteld in artikel 14 van het Warenwetbesluit Attractie- en Speeltoestellen)

Type indication	Streetfurniture
Product code	PKNE103.120
Name of equipment	Boombank op poeren
Maximum height of fall	n.a.
Year of construction	2017
Certificate	0183402366
inspection authority	NVT -
Name manufacturer	BOERplay Hyacintstraat 2 - 4255 HX Nieuwendijk Phone: +31 (0)183 40 23 66 Fax: +31 (0)183 40 35 64
name installer	_____ _____
Description of equipment	Tree bench
Location of equipment	_____
Data about the owner of the play equipment	
Name:	_____
Address:	_____
Postcode and town:	_____
Contact person:	_____
Telephone number:	_____
Data about the administrator of the play equipment	
Name:	_____
Address:	_____
Postcode and town:	_____
Contact person:	_____
Telephone number:	_____

LOGBOOK

Inspection and maintenance intervals



Nr.	Inspection	Maintenance	months between inspections
1	Verify equipment's stability, junctions and missing parts. Inspect bolts, screws and nuts for absence, jams, corrosion and wear.	Add missing parts, secure joints, apply missing fixing agent and replace corroded parts.	1
2	Check suspension for wear.	Replace worn parts and/or remove non-functioning parts.	1
3	Inspect rotating parts such as hinges, rolling-element bearings, etc. for wear and acceptability.	Replace worn parts and/or remove non-functioning parts.	1
4	Check wood for splinters, unacceptable damage and signs of rot. Especially at ground level.	Repair damage. Replace affected wood. Smoothen splintered wood and sharp edges.	1
5	Inspect foundation for stability, tearing and coverage.	Restore foundation and covering material.	3
6	Examine rubber and synthetic parts for wear, damage and break.	Replace original parts.	3
7	Inspect metal for corrosion and damage in the coating.	Restore any damaged coating (after removing rust and applying primer).	6
8	Check ropes, cables, chains and nets for wear and damage. Steel cables and nets which are tensioned must be checked for tension.	Replace parts where necessary. Steel cables and nets must be tensioned.	3
9	Inspect equipment for unsafe changes and additions.	Remove unsafe additions and correct unsafe changes.	1
10	Inspect safety surfaces.	Restore and repair where necessary.	1

Remarks

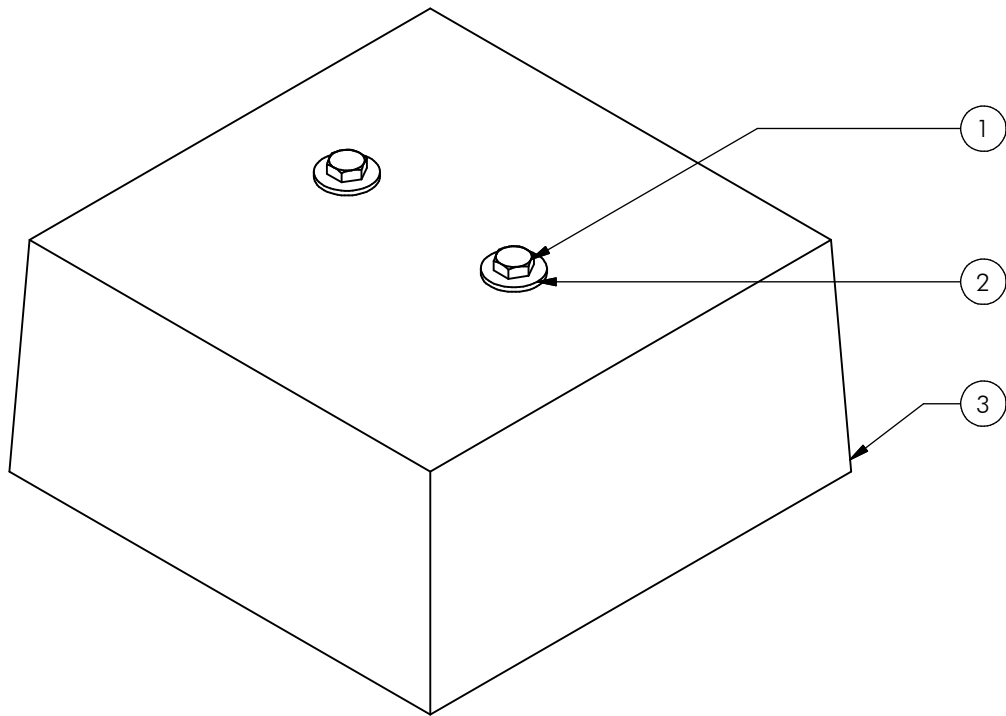
1. If used intensively, all points require extra attention.
2. Extreme weather conditions and locations may require a higher inspection frequency. Discuss this with the supplier.
3. Vandalism-sensitive locations require stricter inspections, possibly daily.
4. Check the terrain regularly for items that do not belong there, are unsafe or may be used wrongly. Examples are poisonous plants, glass shards, etc. Frequency depends on strain.
5. Remember that bad maintenance leads to unsafe conditions and notably faster impoverishment of the playground area.
6. Replacement parts can be ordered at the manufacturer with the part numbers on the module drawing. Drawings can be found in de user guide.
7. The impact area shall be provided with impact attenuating surface according to the specified falling height.
8. This list is conform the CEN-standard "playground equipment and surfacing NEN-EN 1176-7".



Dit toestel is geen speeltoestel conform het warenwetbesluit attractie- en speeltoestellen, en is dus niet als zodanig gecertificeerd.

This equipment is not playground equipment, so it has not been certified as such.





Nr	#	Type	Progr.	Volgnr	Bew.	Rev.	Benaming	Opmerking
1	2	BSV	021	012	040		Zeskantbout ISO 4014	M12 x 40 - VZ 8.8
2	2	BSV	035	012	035		Carrosseriering	M12 x 35 - VZ 8.8
3	1	OBT	POE	009	033		POER	MODEL 9



Benaming
Title Poer Model 9

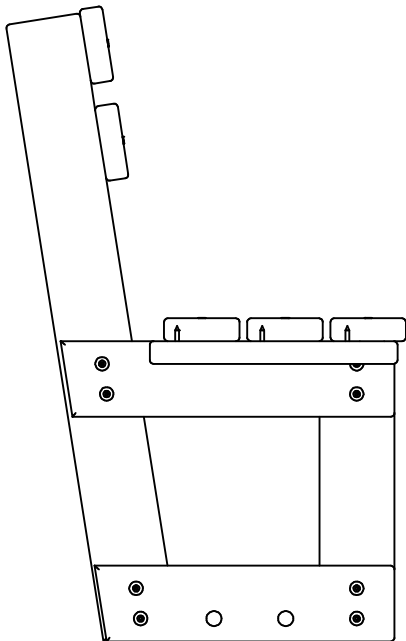
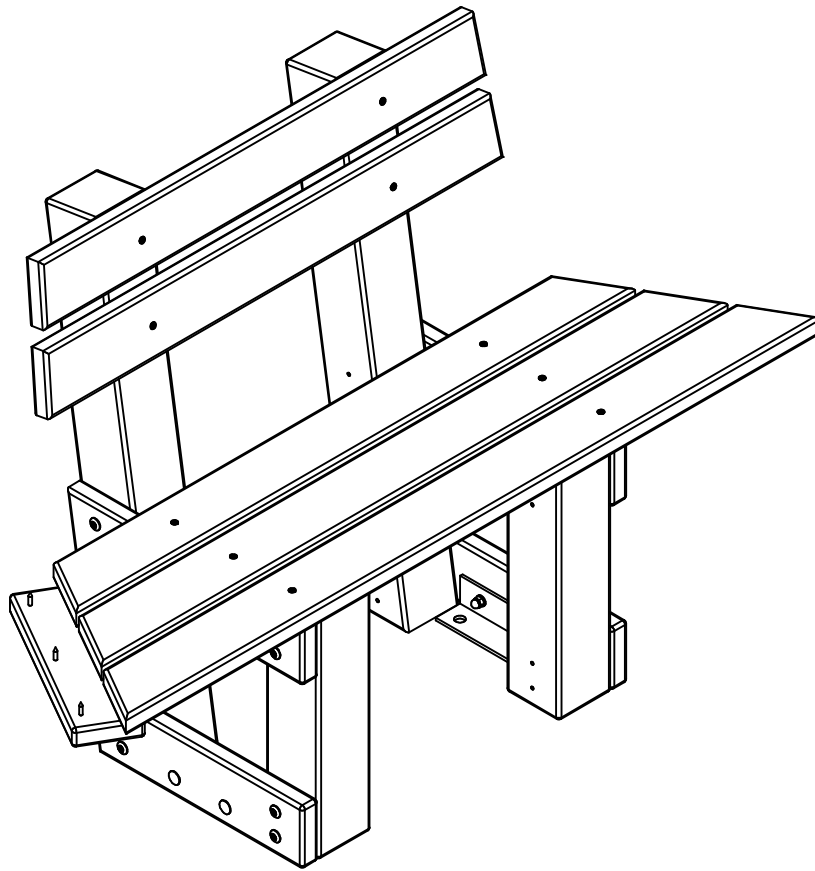
Opmerking
Comment Gewicht 33,5 kg

Datum
Date 17-8-2012

Tekening
Drawing

MOD OBT 009 001

Samenstelling module Assembly module



Nr	#	Type	Progr.	Volgnr	Bew.	Rev.	Benaming	Opmerking
1	26	BSR	002	005	070		Schroef Assy	5 x 70 - RVS A2-70
2	6	BSV	004	005	050		Schroef verz.	5 x 50 - VZ 8.8
3	4	BSV	011	008	015		Borgdopmoer	M8 - VZ 8.8
4	4	BSV	026	008	050		Slotbout	M8 x 50 - VZ 8.8
5	4	BSV	030	008	016		Sluitring	M8 - VZ 8.8
6	16	KST	ROR	006	000		ROZETRING M5	ZWART
7	2	OME	PKN	072	ALU		L 50x50x5	175 mm lang



Benaming
Title | Bank

Opmerking
Comment | Boombank

Datum
Date | 27-8-2015

Tekening
Drawing

MOD PKN 103 120 A
 Samenstelling module *Assembly module*