



# Adventure Play

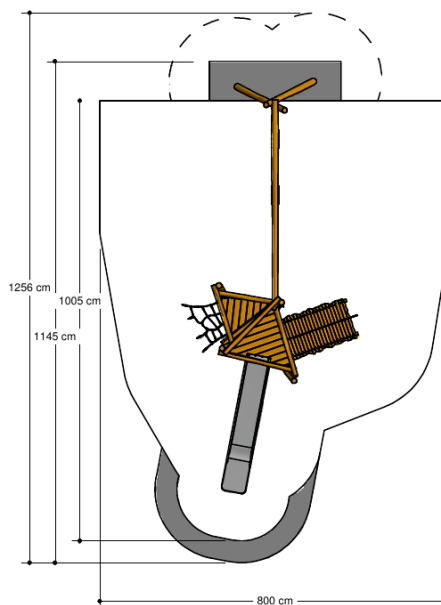
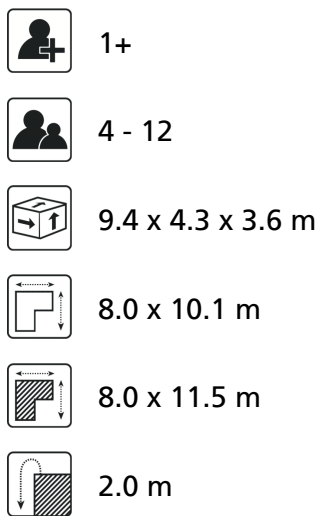
## PSTE110.033

Tower with swings



# PSTE110.033

Tower with swings

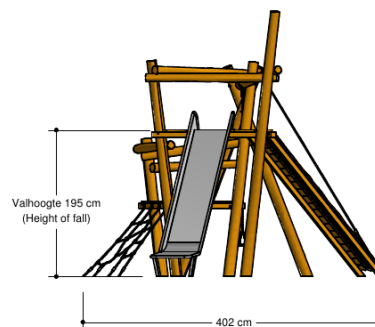


## Playfunctions

Sliding, climbing, swinging, climbing wall

## Material

Made of irregularly shaped Acacia Robinia FSC certified wood. This European hardwood had a sustainability of class I according to EN 350 and is free of sapwood. The timber units are finished with stainless steel components 340 / K320-ground quality. Matching slides are stainless steel 304 quality polished stainless steel and all fastenings of a A2 quality. The rope constructions are made of vandal resistant 16 mm Hercules rope in the colour black

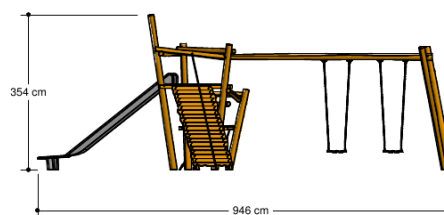


## Anchorage

Galvanized steel base plates

## Comments

The impact area must have impact absorbing properties belonging to the specified free height of fall. The obstacle-free zone shall be completely free of obstacles.



**Opvangzone**  
Impact area

WAS, Dutch law

EN1176

**Obstakelvrije zone**  
Obstacle free zone

WAS, Dutch law

EN1176

