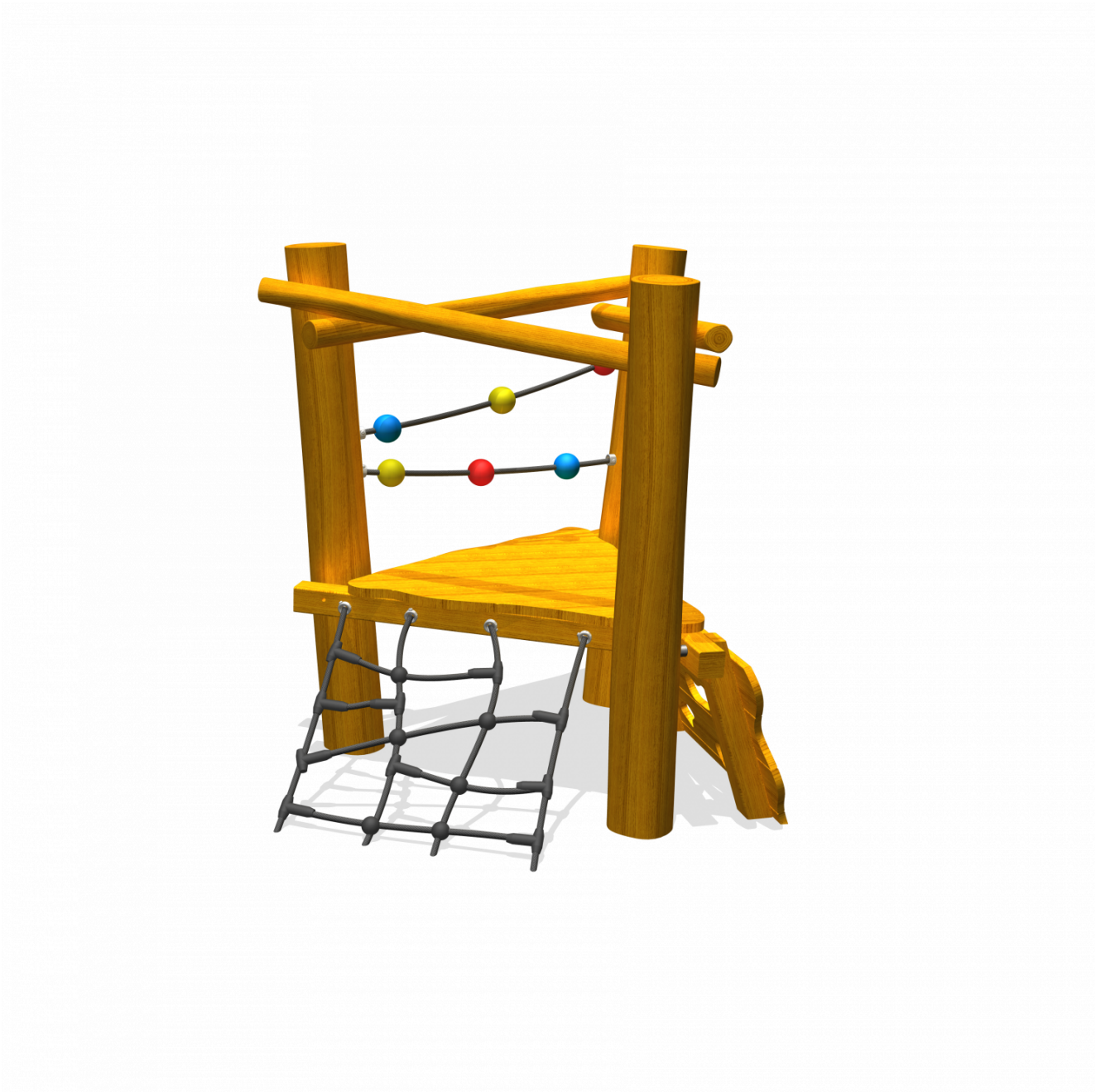
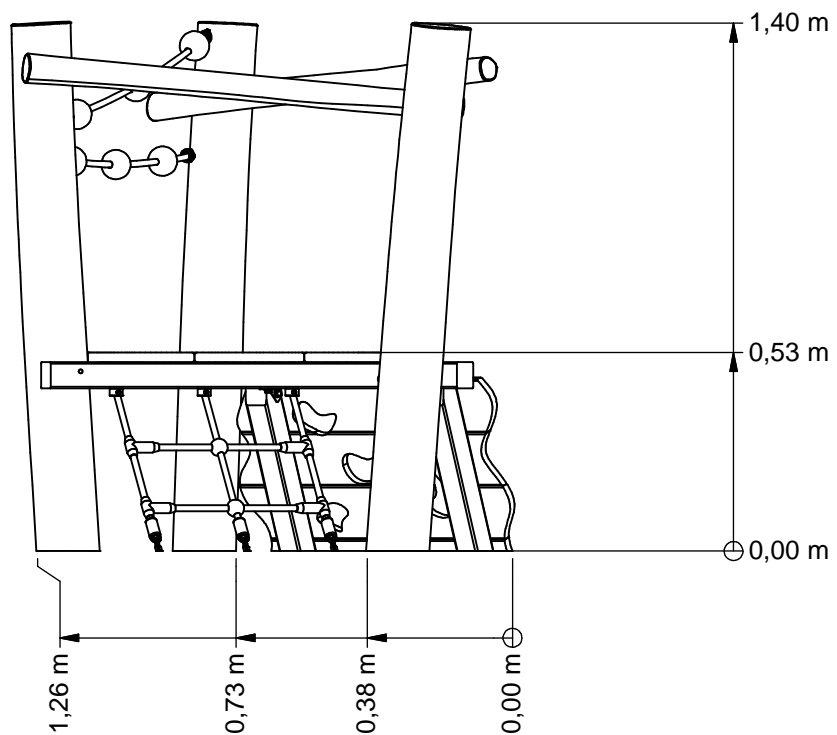
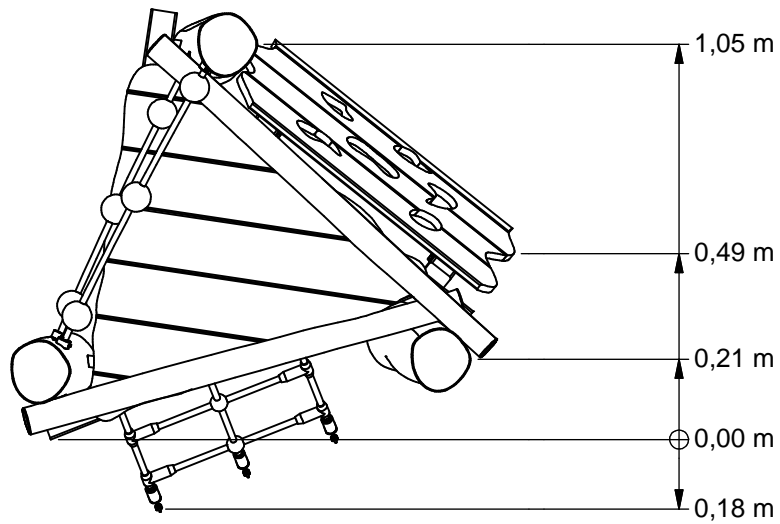




Tower



PSTE110.020



Benaming
Title Torentje 0,5m

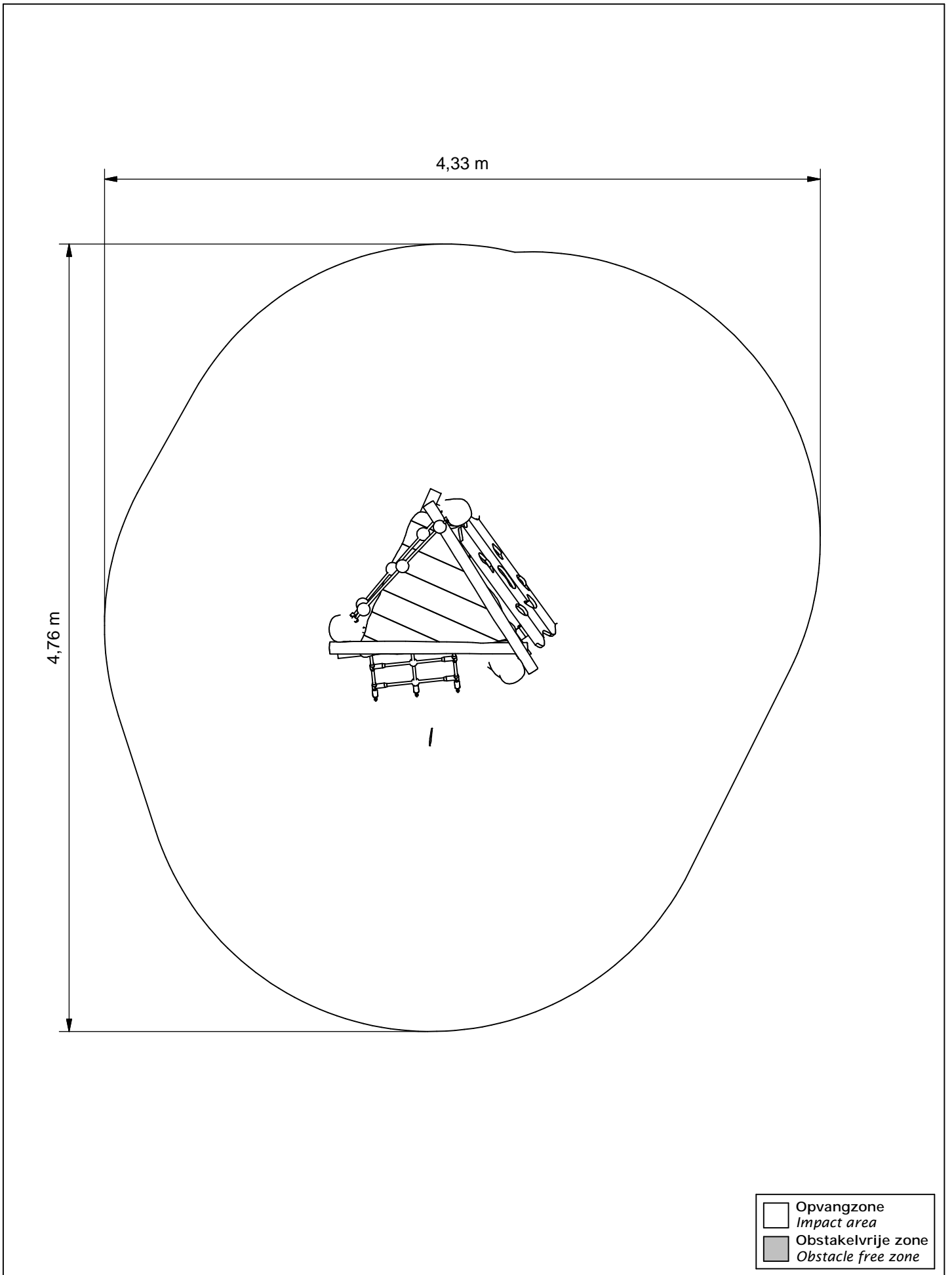
Opmerking
Comment Adventure Play

Datum
Date 21-10-2011

Tekening
Drawing

TOE PST 110 020 A

Afmetingen Dimensions



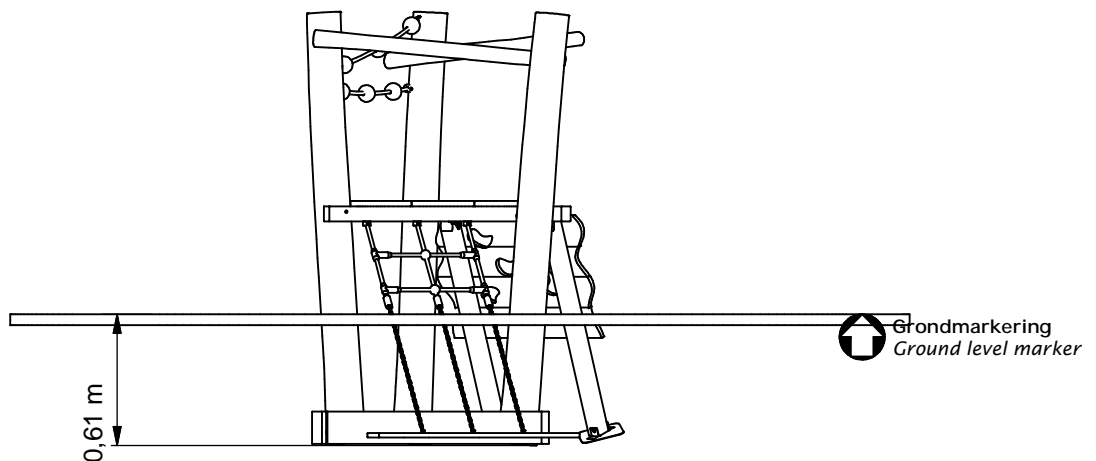
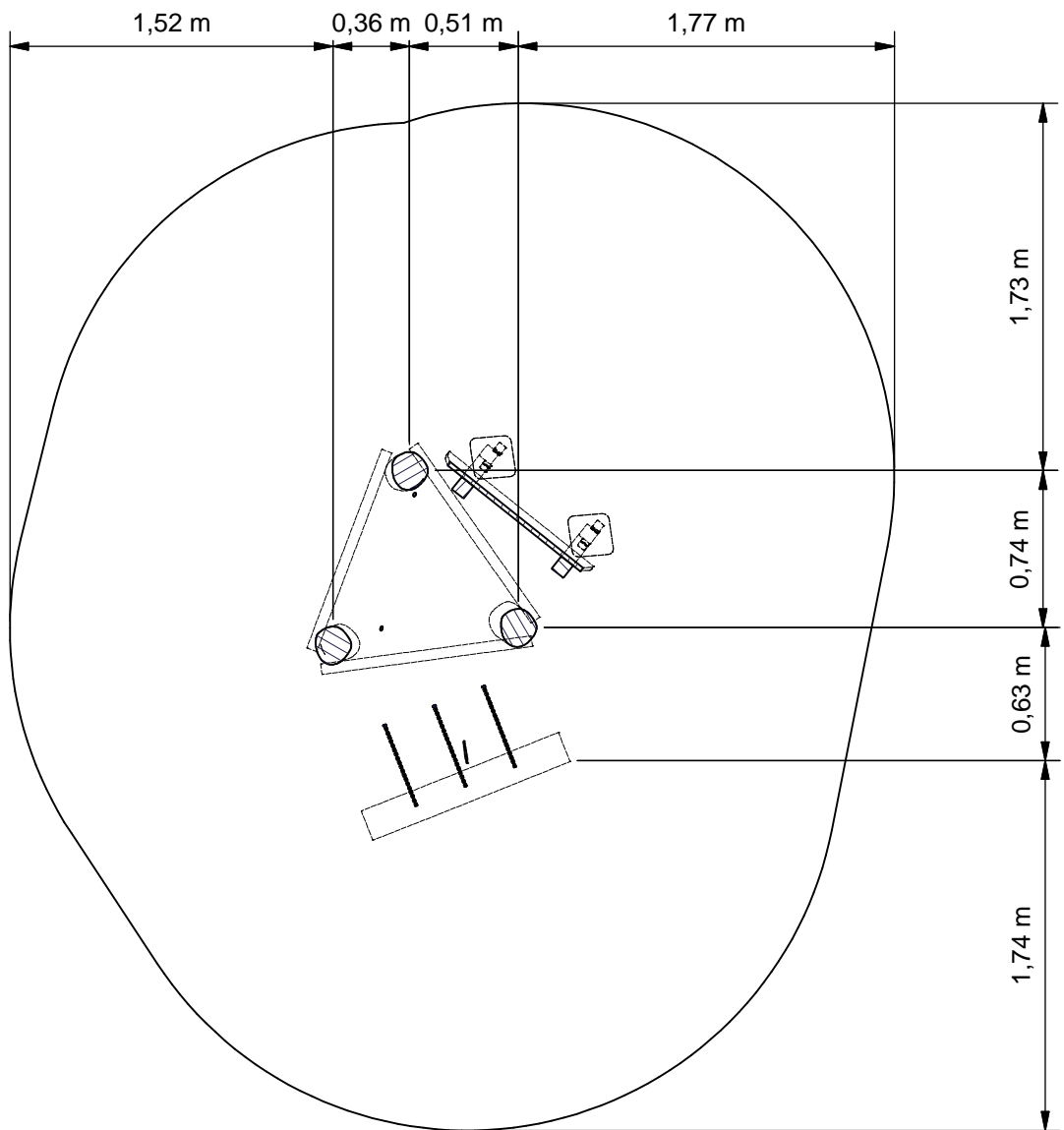
Benaming
Title Torentje 0,5m

Opmerking
Comment Adventure Play

Datum
Date 21-10-2011

Tekening
Drawing

TOE PST 110 020 A
Obstakelvrije zone *Obstacle free zone*



Benaming
Title Torentje 0,5m

Opmerking
Comment Adventure Play

Datum
Date 21-10-2011

Tekening
Drawing

TOE PST 110 020 A

Bodemplan *Groundplan*

Geleverde modules:

Zie tabel

Supplied modules:

See table

Montageinstructie:

- De hoofdmaten geven de maten van de staanders en vloeren aan
- De detailtekeningen geven specifiek de maten van de verbindingen aan
- De modules met buizen zijn op de tekeningen bemaat op bovenkant kopplaat
- Overige modules zijn bemaat op de bovenkant (klimwanden, paalkoppen, etc.)

Assembly instruction:

- The main dimensions indicate the dimensions of the posts and floors
- The detailed dimensions show the specific dimensions of the connections
- The modules which contain tubes are dimensioned at the top of the flanges
- Other modules are dimensioned at the top (climbing walls, caps for the posts, etc.)

Montagevolgorde:

- 1 - Graaf de gaten volgens het bodemplan
- 2 - Assembleer toren 3,4
- 3 - Plaats toren
- 4 - Plaats 1,2 en verbind deze aan toren
- 5 - Controleer of het toestel voldoet aan de afmetingen zoals op blad 'afmetingen'
- 6 - Dicht de gaten en verdicht het zand

Installation sequence:

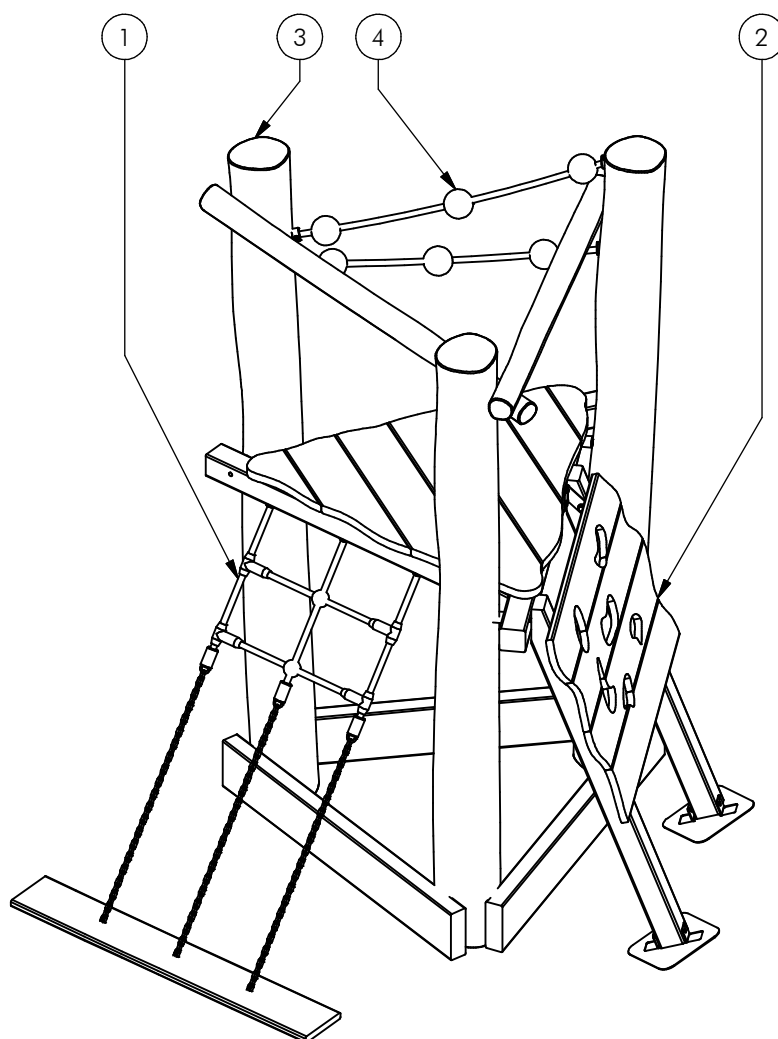
- 1 - Dig the holes according to the ground plan
- 2 - Assemble tower 3,4
- 3 - Place tower
- 4 - Place 1,2 and attach it to tower
- 5 - Check that the unit conforms to the dimensions on sheet 'dimensions'
- 6 - Close the holes and compacted the sand

Controles:

- 1 - Correcte opbouw en alle bevestigingsmiddelen
- 2 - Controleer de afmetingen van de valbodem t.o.v. het toestel

Checks:

- 1 - Correct assembly and all the fasteners
- 2 - Check the dimensions of the safety area with regard to the play equipment



Nr	#	Type	Progr.	Volgnr	Bew.	Rev.	Benaming	Opmerking
1	1	MOD	PST	021	021		Oploopnet 0,5m	Adventure Play
2	1	MOD	PST	028	007	A	Klimwand 0,5m	Adventure Play
3	1	MOD	PST	036	006		Speeltoren klein	Adventure Play
4	1	MOD	PST	038	011		Telbollen	Adventure Play



Benaming
Title | Torentje 0,5m

Opmerking
Comment | Adventure Play

Datum
Date | 21-10-2011

Tekening
Drawing

TOE PST 110 020 A

Modules Modules

PSTE110.020

Tower

LOGBOOK

(Onderstaand logboek kan gebruikt worden om te voldoen aan de eisen, gesteld in artikel 14 van het Warenwetbesluit Attractie- en Speeltoestellen)

Type indication	Adventure Play
Product code	PSTE110.020
Name of equipment	Torentje 0.5m
Maximum height of fall	0,6 m
Year of construction	2017
Certificate	032679
inspection authority	TUV Nederland QA BV De Waal 21c, Best - 5684 PH Best
Name manufacturer	BOERplay Hyacintstraat 2 - 4255 HX Nieuwendijk Phone: +31 (0)183 40 23 66 Fax: +31 (0)183 40 35 64
name installer	_____ _____
Description of equipment	Tower
Location of equipment	_____
Data about the owner of the play equipment	
Name:	_____
Address:	_____
Postcode and town:	_____
Contact person:	_____
Telephone number:	_____
Data about the administrator of the play equipment	
Name:	_____
Address:	_____
Postcode and town:	_____
Contact person:	_____
Telephone number:	_____

LOGBOOK

Inspection and maintenance intervals



Nr.	Inspection	Maintenance	months between inspections
1	Verify equipment's stability, junctions and missing parts. Inspect bolts, screws and nuts for absence, jams, corrosion and wear.	Add missing parts, secure joints, apply missing fixing agent and replace corroded parts.	1
2	Check suspension for wear.	Replace worn parts and/or remove non-functioning parts.	1
3	Inspect rotating parts such as hinges, rolling-element bearings, etc. for wear and acceptability.	Replace worn parts and/or remove non-functioning parts.	1
4	Check wood for splinters, unacceptable damage and signs of rot. Especially at ground level.	Repair damage. Replace affected wood. Smoothen splintered wood and sharp edges.	1
5	Inspect foundation for stability, tearing and coverage.	Restore foundation and covering material.	3
6	Examine rubber and synthetic parts for wear, damage and break.	Replace original parts.	3
7	Inspect metal for corrosion and damage in the coating.	Restore any damaged coating (after removing rust and applying primer).	6
8	Check ropes, cables, chains and nets for wear and damage. Steel cables and nets which are tensioned must be checked for tension.	Replace parts where necessary. Steel cables and nets must be tensioned.	3
9	Inspect equipment for unsafe changes and additions.	Remove unsafe additions and correct unsafe changes.	1
10	Inspect safety surfaces.	Restore and repair where necessary.	1

Remarks

1. If used intensively, all points require extra attention.
2. Extreme weather conditions and locations may require a higher inspection frequency. Discuss this with the supplier.
3. Vandalism-sensitive locations require stricter inspections, possibly daily.
4. Check the terrain regularly for items that do not belong there, are unsafe or may be used wrongly. Examples are poisonous plants, glass shards, etc. Frequency depends on strain.
5. Remember that bad maintenance leads to unsafe conditions and notably faster impoverishment of the playground area.
6. Replacement parts can be ordered at the manufacturer with the part numbers on the module drawing. Drawings can be found in de user guide.
7. The impact area shall be provided with impact attenuating surface according to the specified falling height.
8. This list is conform the CEN-standard "playground equipment and surfacing NEN-EN 1176-7".

Warenwet

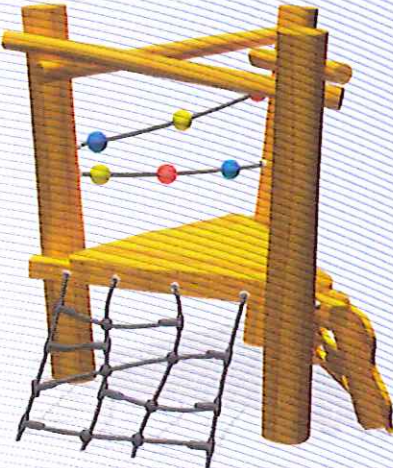
Certificaat van Typeonderzoek Type Examination Certificate

afgegeven door issued by

TÜV Nederland QA BV



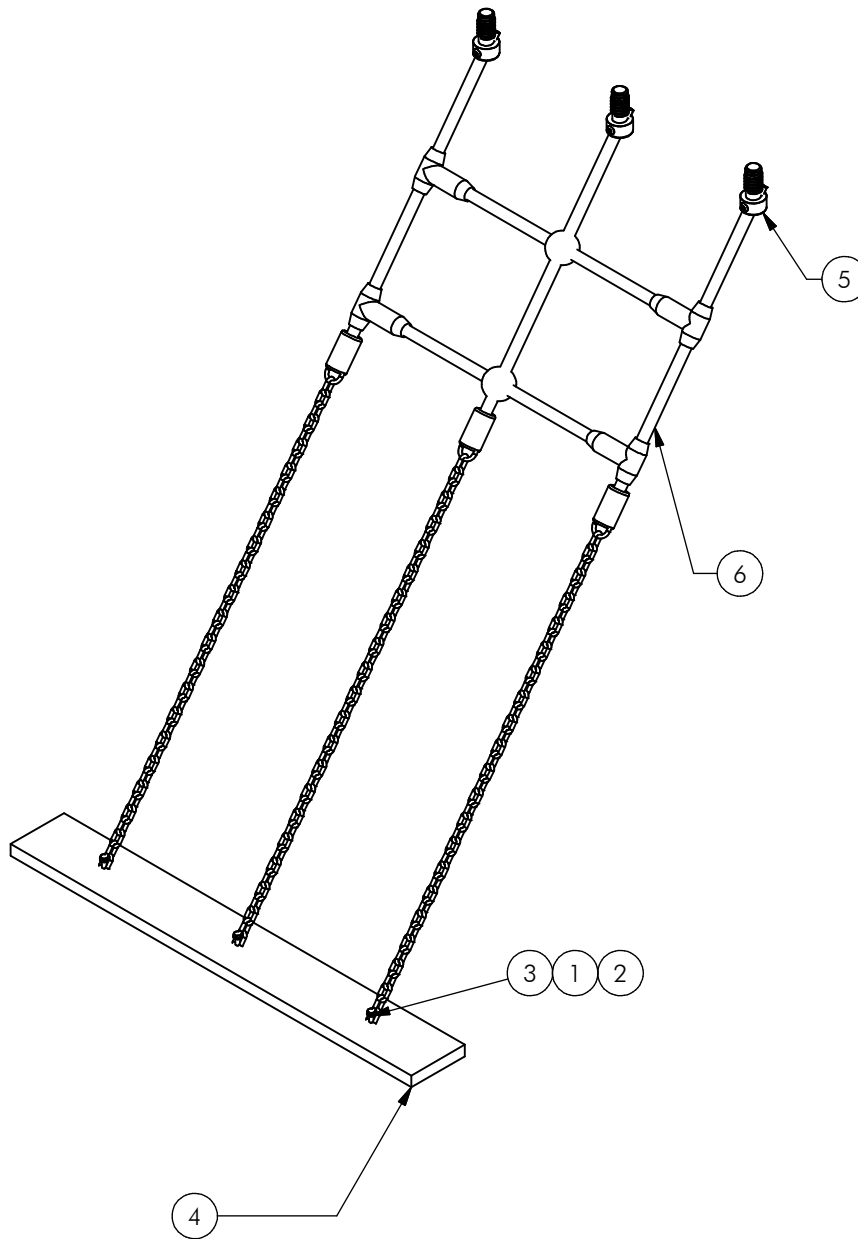
aangewezen bij ministeriële beschikking van 4 mei 2012, nr. VGP 3113590
commissioned by departmental order of 4 May 2012, no. VGP 3113590

Certificaat nr. Certificate nr.	032679TA_20130808	Dossierr. File nr.	032679TA
Productomschrijving Product description	Torentje 0,5 m		
Evt. nadere aanduidingen Further indications	Adventure Play		
voor nadere informatie zie bijbehorend rapport met gelijkloidend dossiernr. for further information see associated report with identical file nr.			
Eigenaar / certificaathouder en adres Owner/certificate holder and address	Boer Speeltoestellen B.V. Hyacintstraat 2 4255 HX Nieuwendijk		
Soort toestel Category of equipment	Speeltoestel / Playground equipment		
Fabrikant Manufacturer	Boer Speeltoestellen B.V. Hyacintstraat 2 4255 HX Nieuwendijk		
Type/Serienummer Type/Serial number	PST.110.020 /	in te vullen door de fabrikant to be filled out by the manufacturer	
Jaar van fabricage Year of construction	vanaf since 2013		
Leverancier Supplier	Boer Speeltoestellen B.V. Hyacintstraat 2 4255 HX Nieuwendijk		
Jaar van levering Year of supply		in te vullen door de leverancier to be filled out by the supplier	
Datum keuring Date of examination	29-01-2013 – 08-08-2013		

TÜV Nederland QA BV, de Waal 21C, NL-5684 PH Best verklaart, dat het bovenaangehaalde toestel voldoet aan de vervaardigingvoorschriften genoemd in het Warenwetbesluit attractie- en speeltoestellen (met als leidraad de normatieve documenten NEN-EN 1176:2008).

TÜV Nederland QA BV declares that the here above mentioned equipment meets the safety and health requirements mentioned in the Dutch law "Warenwetbesluit attractie- en speeltoestellen" (guided by normative documents EN 1176:2008).

Namens het bestuur, For the board, A.C. Boon Directeur	
---	--



Nr	#	Type	Progr.	Volgnr	Bew.	Rev.	Benaming	Opmerking
1	3	BSV	017	006	005		Zeskantmoer	M6 - VZ 8.8
2	3	BSV	021	006	050		Zeskantbout ISO 4014	M6 x 50 - VZ 8.8
3	6	BSV	030	006	002		Sluitring	M6 - VZ 8.8
4	1	KST	APL	075			Ankerplaat	750x100x19
5	3	SMD	BUS	002	RVS		Bus + VZ schroef	Touw 16 mm
6	1	SNT	PST	016	119		OPLOOPNET 600	Adventure Play

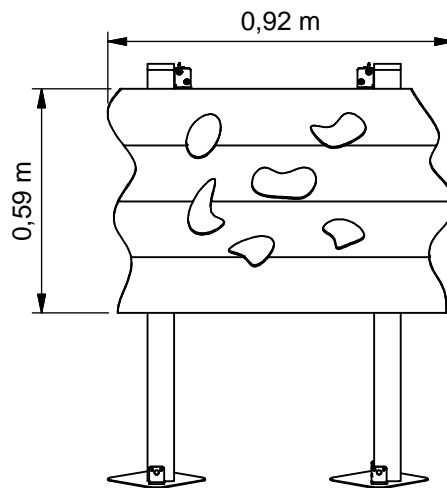
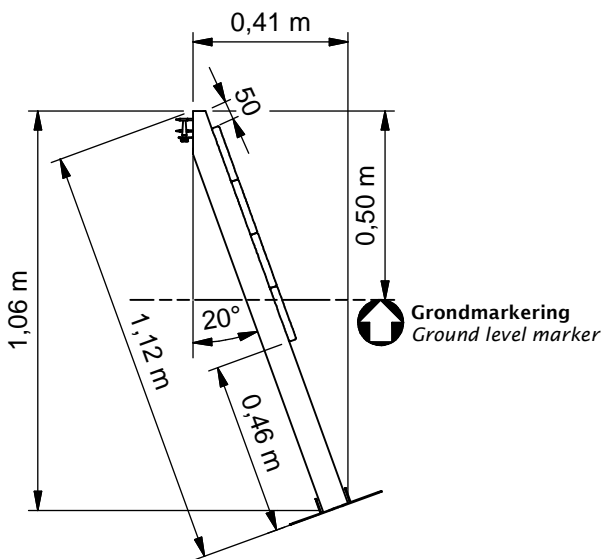
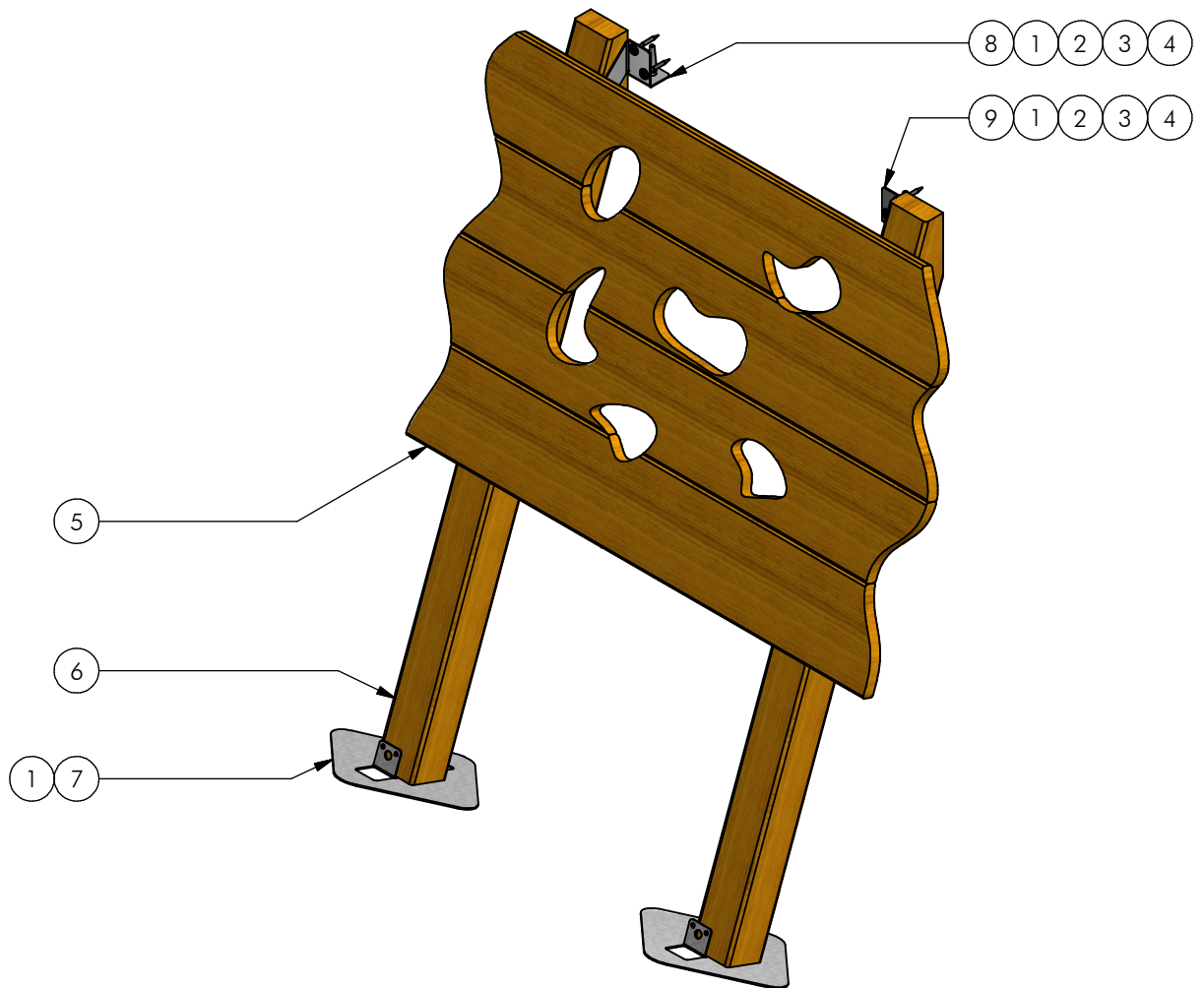


Benaming / Title: Oploopnet 0,5m
 Opmerking / Comment: Adventure Play
 Datum / Date: 20-1-2015

Tekening / Drawing

MOD PST 021 021

Samenstelling module *Assembly module*

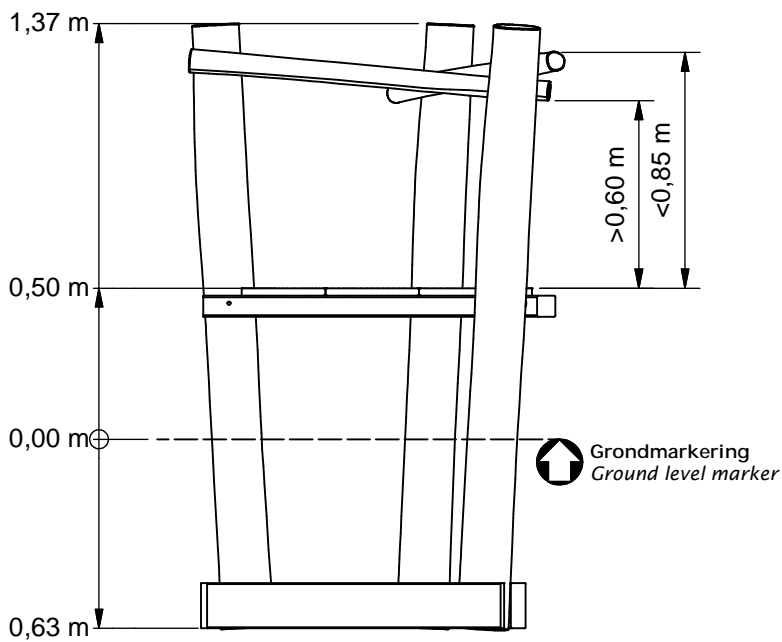
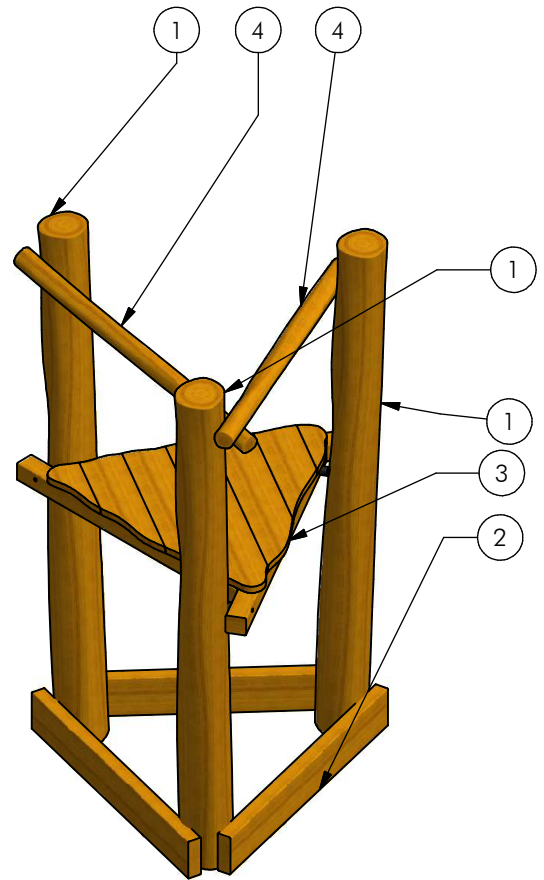
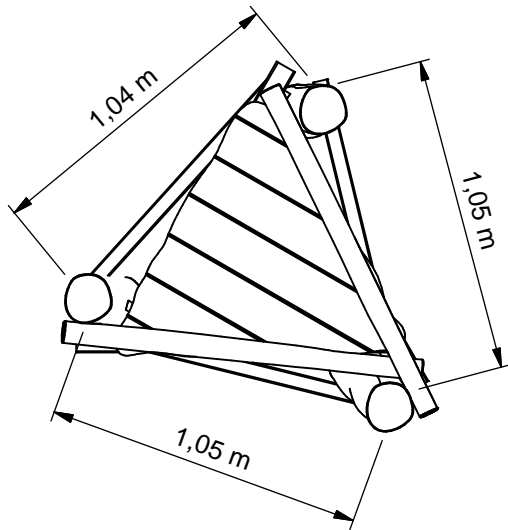


Gaten aftekenen met klimgreep

Let op: maximale gat grootte:

□ 8 x 14 cm of Ø 12 cm

Nr	#	Type	Progr.	Volgnr	Bew.	Rev.	Benaming	Opmerking
1	4	BSR	002	005	050		Schroef Assy	5 x 50 - RVS A2-70
2	4	BSR	022	010	050		Houtdraadbout	RVS A2 M10 X 50
3	4	BSR	030	010	002		Sluitring	M10 - RVS A2-70
4	4	BSR	036	005	015		Facet ring	M5 - RVS A2-70
5	4	OHO	PST	212	120		Plank 150x20	Lengte = 1200
6	2	OHO	PST	307	039		Paal L= 1120	70x70 Robinia
7	2	OME	UKP	615	VZP	A	Voetplaat	Ukkepuk
8	1	OME	VRB	830	304		OPLOOP	BEUGEL LINKS
9	1	OME	VRB	831	304		OPLOOP	BEUGEL RECHTS



Nr	#	Type	Progr.	Volgnr	Bew.	Rev.	Benaming	Opmerking
1	3	OHO	PST	180	020		Paal 16-18	Lengte =2000
2	3	OHO	PST	240	100		Plank 150x50	Lengte = 1000
3	1	SMD	PST	003	000		Driehoeksvloertje 100	Palenwoud
4	2	OHO	PST	080	012		Paal 6-8	Lengte =1200

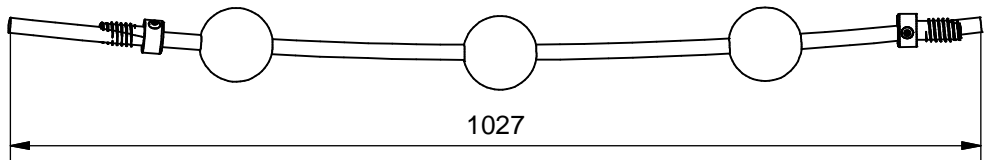
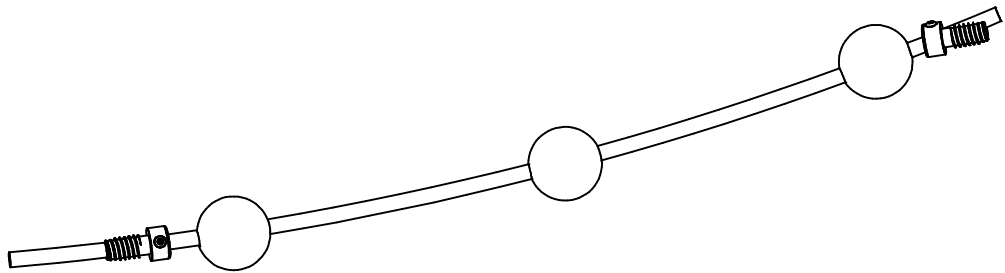
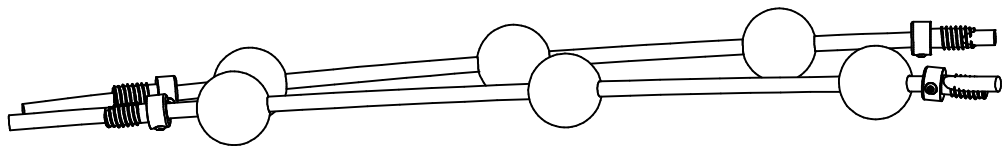
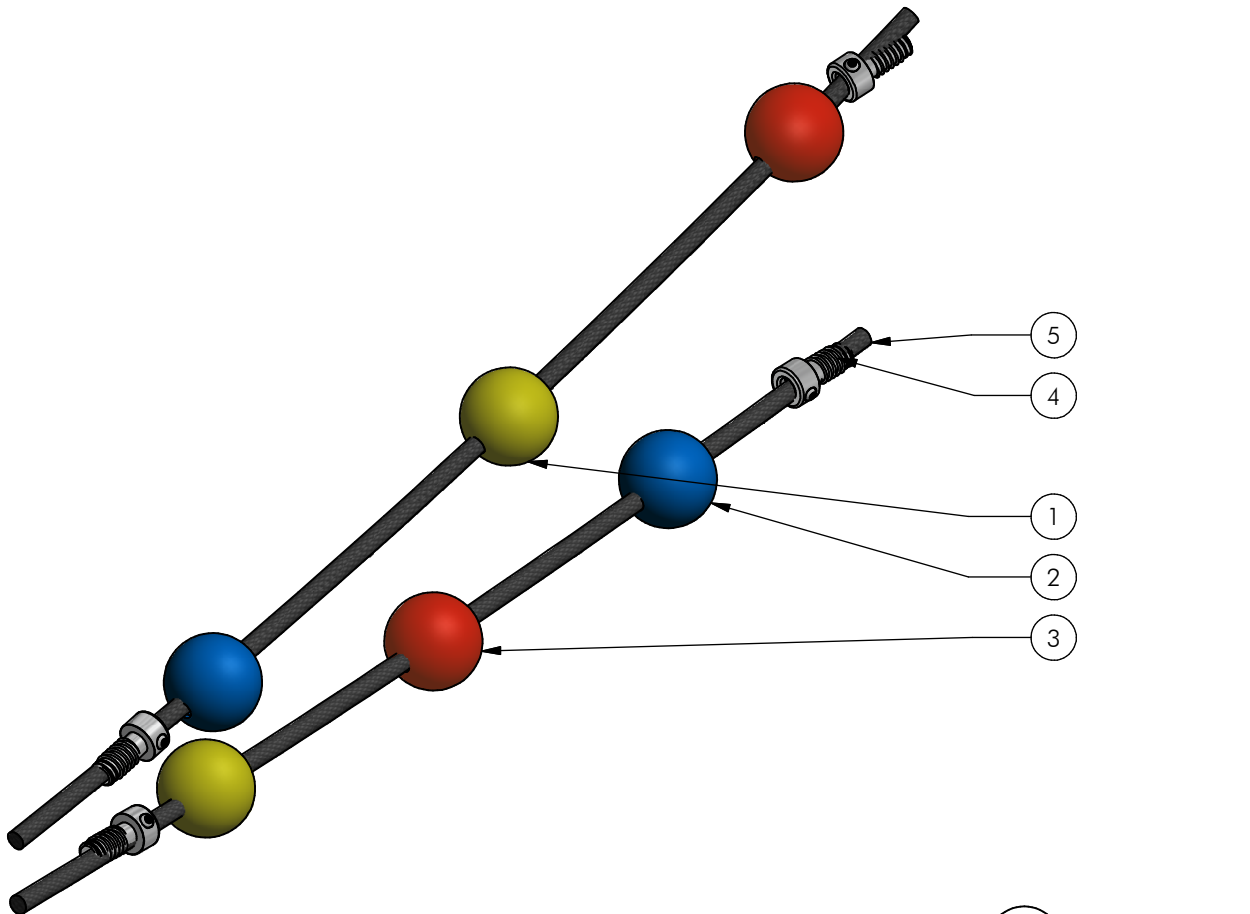


Benaming / Title: Speeltoren klein
 Opmerking / Comment: Adventure Play
 Datum / Date: 18-3-2013

Tekening / Drawing

MOD PST 036 006

Samenstelling module / Assembly module



Nr	#	Type	Progr.	Volgnr	Bew.	Rev.	Benaming	Opmerking
1	2	KST	BOL	016	010		Telbol	Geel
2	2	KST	BOL	016	050		Telbol	Blauw
3	2	KST	BOL	016	030		Telbol	Rood
4	4	SMD	BUS	002	RVS		Bus + VZ schroef	Touw 16 mm
5	1	SNT	PST	016	034		Touw tbv Telbollen	2x Ø16 L1100



Benaming
Title | Telbollen

Opmerking
Comment | Adventure Play

Datum
Date | 2-3-2012

Tekening
Drawing

MOD PST 038 011

Samenstelling module *Assembly module*