

# Toddler Play

## SOLE030.099

Toddler seat swing



# SOLE030.099

Toddler seat swing



1



0 - 4



1.7 x 0.4 x 1.6 m



5.3 x 1.8 m



6.3 x 2.8 m



0.9 m

## Playfunctions

Swinging

## Material

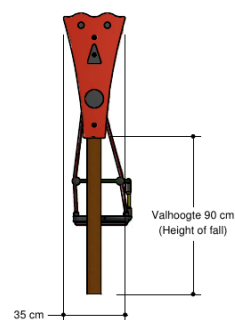
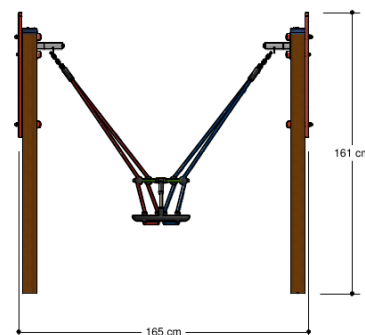
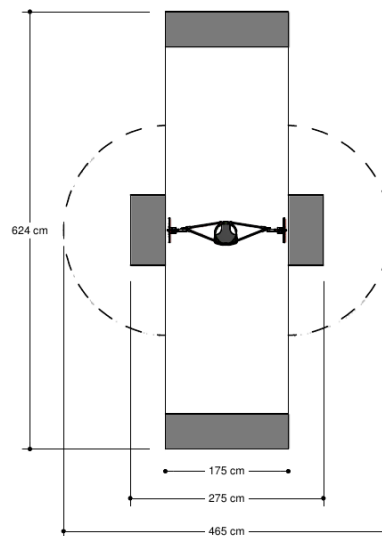
The posts are made of a FSC hardwood with a durability class of 1-2 according to EN 350. The top is covered with a hood. Floors, (climbing) walls and roofs are made of a quality colored HPL laminate. All steel parts are stainless steel. Connections consist of stainless steel and, where necessary, covered with a plastic cap. The ropes are made of 16 mm vandal proof Hercules rope.

## Anchorage

The posts go to a depth of 50 cm into the ground with at the bottom a steel plate to increase the support. Concrete is not required.

## Comments

If the soil does not contribute to the stability it may be necessary to add concrete.



## Opvangzone

Impact area

WAS, Dutch law

EN1176

## Obstakelvrije zone

Obstacle free zone

WAS, Dutch law

EN1176

