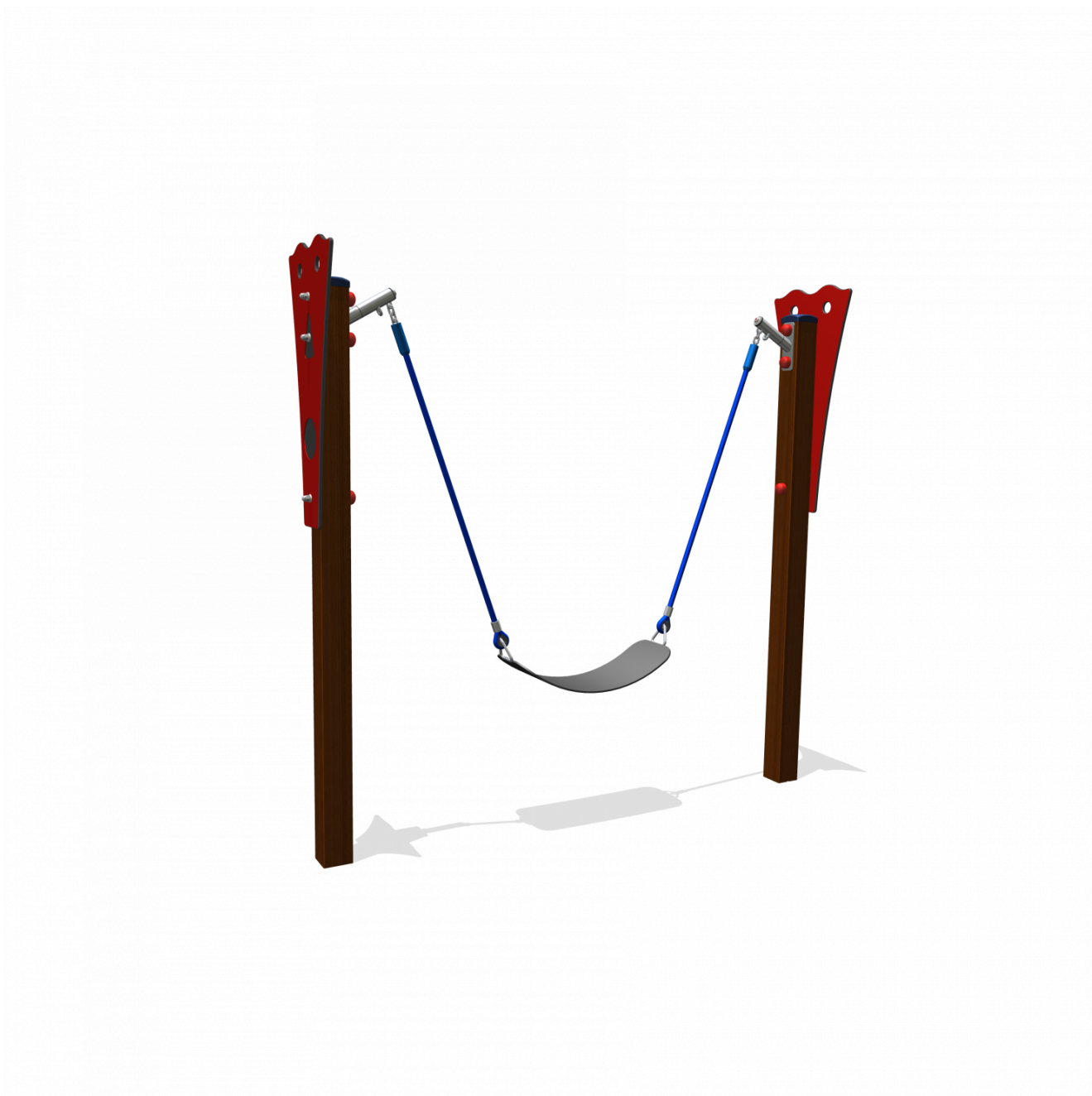
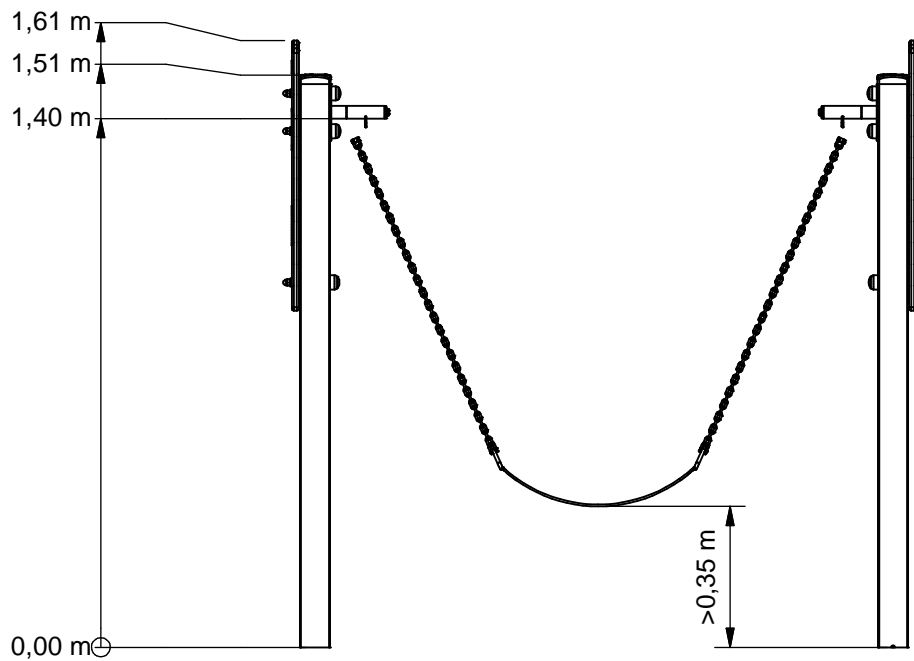
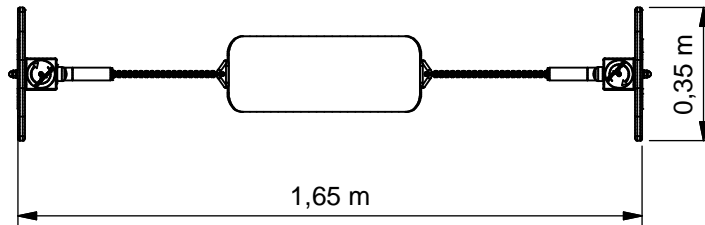


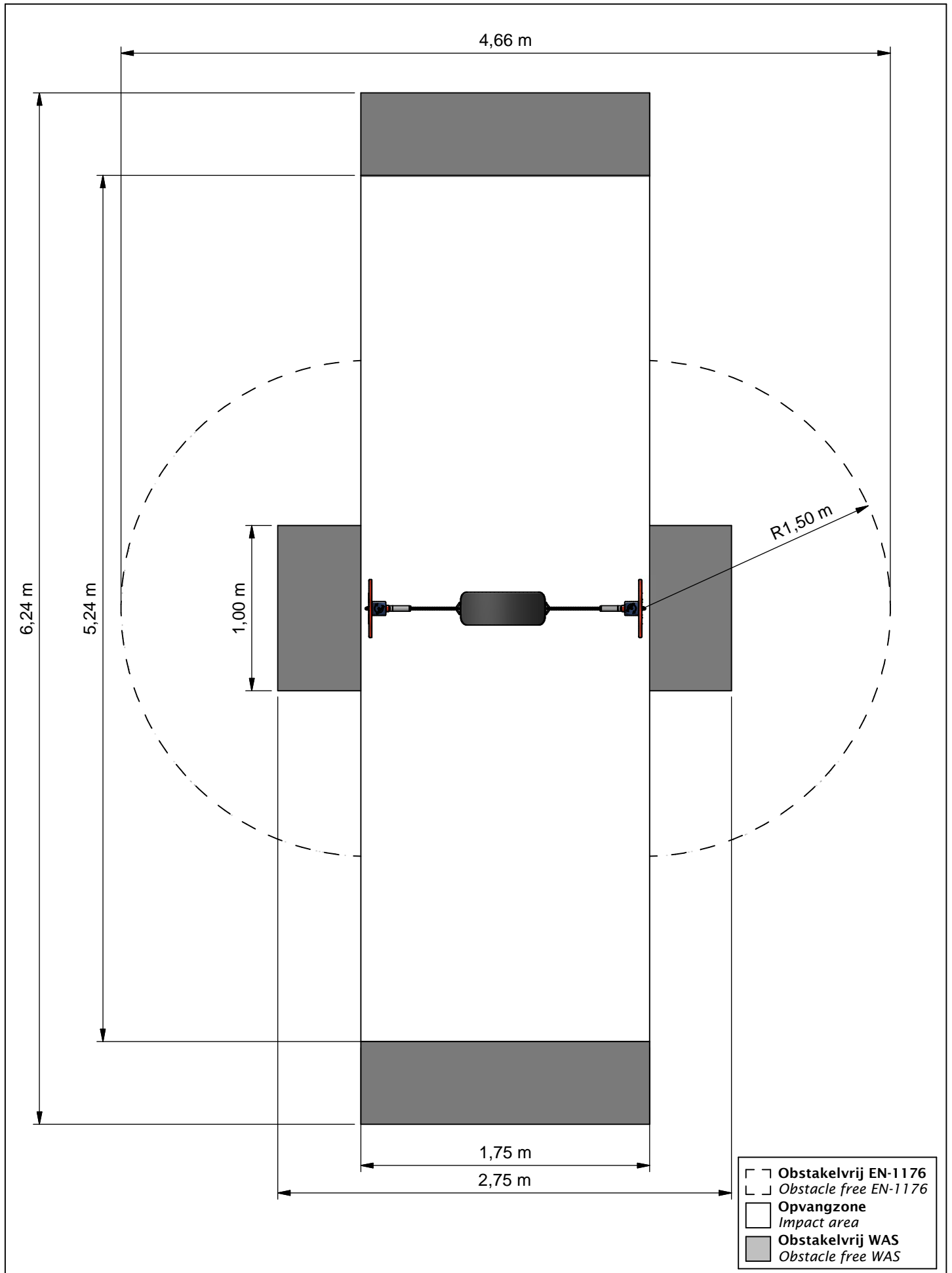


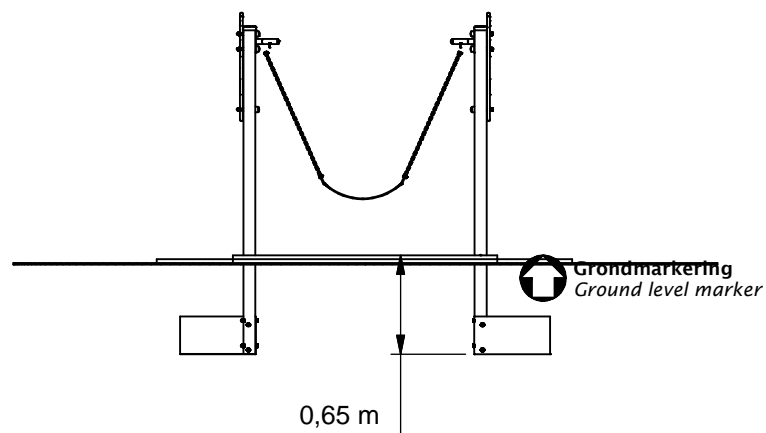
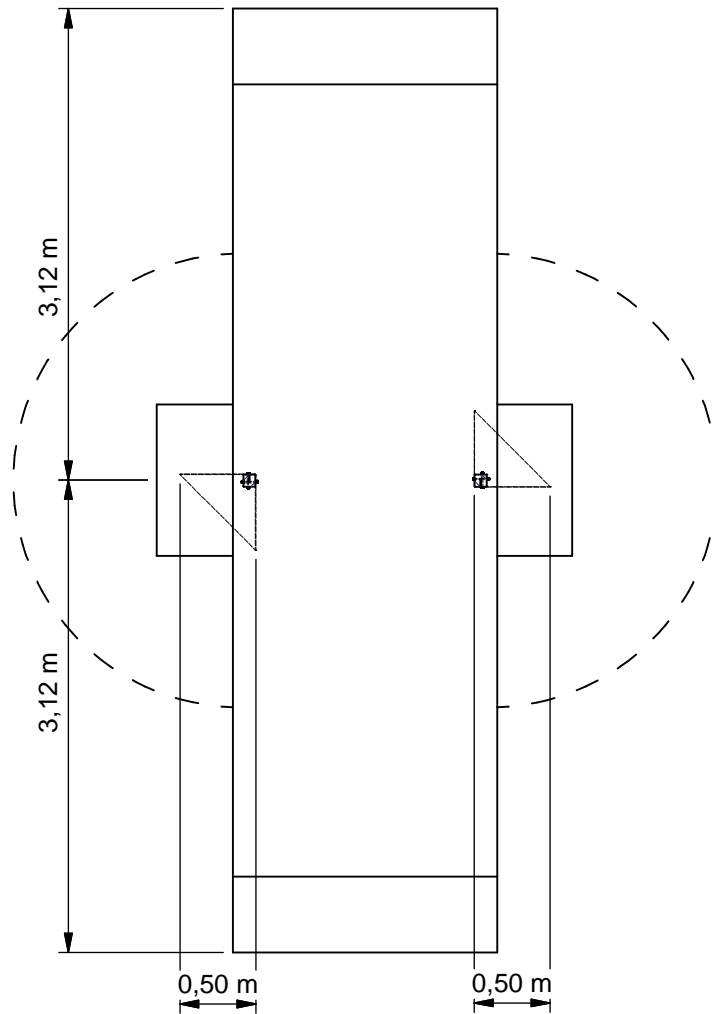
Mini swing



SOLE030.097







Benaming
Title Miniswoeng

Opmerking
Comment Hardhout

Datum
Date 3-4-2014

Tekening
Drawing

TOE SOL 030 097 A

Bodemplan Groundplan

Geleverde modules:

Zie tabel

Montageinstructie:

- De hoofdmaten geven de maten van de standers en vloeren aan
- De detailtekeningen geven specifiek de maten van de verbindingen aan
- De modules met buizen zijn op de tekeningen bemaat op bovenkant kopplaat
- Overige modules zijn bemaat op de bovenkant (klimwanden, paalkappen, etc.)

Montagevolgorde:

- 1 - Graaf de gaten volgens het bodemplan
- 2 - Plaats 1
- 3 - Controleer of het toestel voldoet aan de afmetingen zoals op blad 'afmetingen'
- 4 - Dicht de gaten en verdicht het zand

Controles:

- 1 - Correcte opbouw en alle bevestigingsmiddelen
- 2 - Controleer de afmetingen van de valbodem t.o.v. het toestel

Supplied modules:

See table

Assembly instruction:

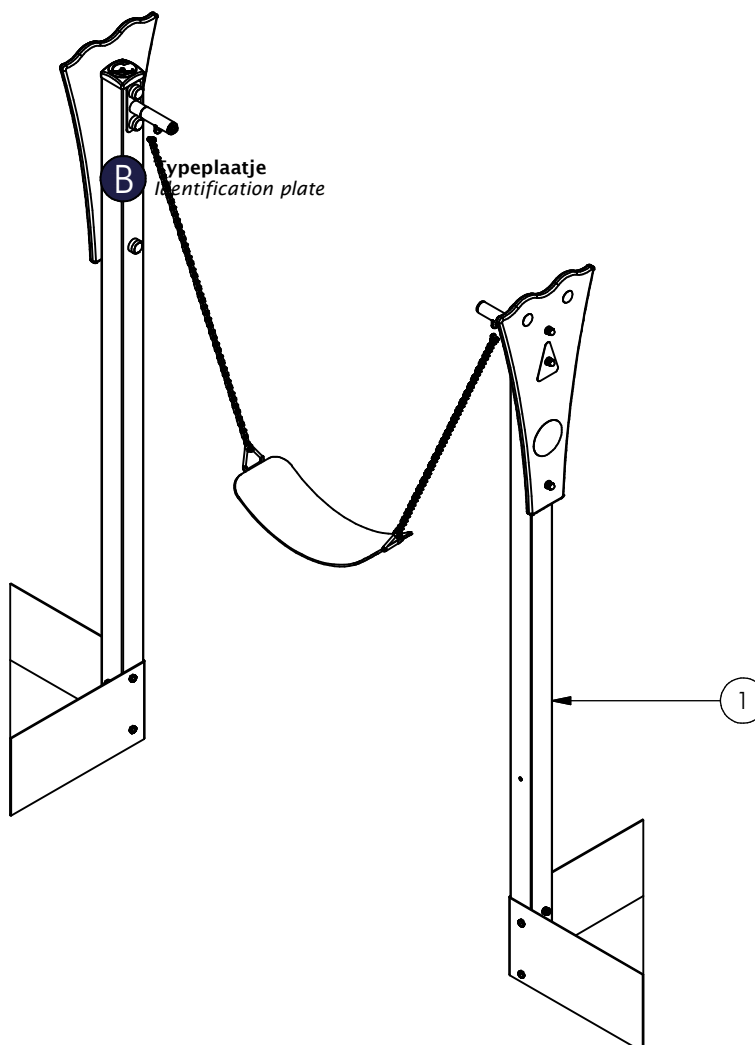
- The main dimensions indicate the dimensions of the posts and floors
- The detailed dimensions show the specific dimensions of the connections
- The modules which contain tubes are dimensioned at the top of the flanges
- Other modules are dimensioned at the top (climbing walls, caps for the posts, etc.)

Assembly sequence:

- 1 - Dig the holes according to the ground plan
- 2 - Place 1
- 3 - Check that the equipment conforms to the dimensions shown on sheet 'dimensions'
- 4 - Close the holes and compact the sand

Checks:

- 1 - Correct assembly and all the fasteners
- 2 - Check the dimensions of the safety area with regard to the play equipment



Nr	#	Type	Progr.	Volgnr	Bew.	Rev.	Benaming	Opmerking
1	1	MOD	UKP	HHT	157	B	Schommel	Ukkepuk



Benaming
Title | Miniswoeng

Opmerking
Comment | Hardhout

Datum
Date | 3-4-2014

Tekening
Drawing

TOE SOL 030 097 A

Modules Modules

SOLE030.097

Mini swing

LOGBOOK

(Onderstaand logboek kan gebruikt worden om te voldoen aan de eisen, gesteld in artikel 14 van het Warenwetbesluit Attractie- en Speeltoestellen)

Type indication	Toddler Play
Product code	SOLE030.097
Name of equipment	Miniswoeng Hardhout
Maximum height of fall	0,9 m
Year of construction	2017
Certificate	09100313232
inspection authority	Liftinstituut B.V. Buikslotermeerplein 381, A'dam - 1025 XE Amsterdam
Name manufacturer	BOERplay Hyacintstraat 2 - 4255 HX Nieuwendijk Phone: +31 (0)183 40 23 66 Fax: +31 (0)183 40 35 64
name installer	_____ _____
Description of equipment	Mini swing
Location of equipment	_____
Data about the owner of the play equipment	
Name:	_____
Address:	_____
Postcode and town:	_____
Contact person:	_____
Telephone number:	_____
Data about the administrator of the play equipment	
Name:	_____
Address:	_____
Postcode and town:	_____
Contact person:	_____
Telephone number:	_____

LOGBOOK

Inspection and maintenance intervals



Nr.	Inspection	Maintenance	months between inspections
1	Verify equipment's stability, junctions and missing parts. Inspect bolts, screws and nuts for absence, jams, corrosion and wear.	Add missing parts, secure joints, apply missing fixing agent and replace corroded parts.	1
2	Check suspension for wear.	Replace worn parts and/or remove non-functioning parts.	1
3	Inspect rotating parts such as hinges, rolling-element bearings, etc. for wear and acceptability.	Replace worn parts and/or remove non-functioning parts.	1
4	Check wood for splinters, unacceptable damage and signs of rot. Especially at ground level.	Repair damage. Replace affected wood. Smoothen splintered wood and sharp edges.	1
5	Inspect foundation for stability, tearing and coverage.	Restore foundation and covering material.	3
6	Examine rubber and synthetic parts for wear, damage and break.	Replace original parts.	3
7	Inspect metal for corrosion and damage in the coating.	Restore any damaged coating (after removing rust and applying primer).	6
8	Check ropes, cables, chains and nets for wear and damage. Steel cables and nets which are tensioned must be checked for tension.	Replace parts where necessary. Steel cables and nets must be tensioned.	3
9	Inspect equipment for unsafe changes and additions.	Remove unsafe additions and correct unsafe changes.	1
10	Inspect safety surfaces.	Restore and repair where necessary.	1

Remarks

1. If used intensively, all points require extra attention.
2. Extreme weather conditions and locations may require a higher inspection frequency. Discuss this with the supplier.
3. Vandalism-sensitive locations require stricter inspections, possibly daily.
4. Check the terrain regularly for items that do not belong there, are unsafe or may be used wrongly. Examples are poisonous plants, glass shards, etc. Frequency depends on strain.
5. Remember that bad maintenance leads to unsafe conditions and notably faster impoverishment of the playground area.
6. Replacement parts can be ordered at the manufacturer with the part numbers on the module drawing. Drawings can be found in de user guide.
7. The impact area shall be provided with impact attenuating surface according to the specified falling height.
8. This list is conform the CEN-standard "playground equipment and surfacing NEN-EN 1176-7".

TYPE-EXAMINATION CERTIFICATE

Acting under the " Warenwetbesluit Attractie- en Speeltoestellen" issued by Liftinstituut B.V.
commissioned by departmental order, no. VGP/PSL 2857566 from 27 Juni 2008.

Certificate nr. : NL 09-100313232 Revision nr.: -

Description of the product : Miniswoeng, playground equipment swing in hardwood or INOX

Trademark, type : Boer Speeltoestellen
TOE SOL 030 097 TOE SOL 030 098
TOE SOL 030 099 TOE SOL 030 100

Name and address of the manufacturer : Boer Speeltoestellen
Hyacinthstraat 2
4255 HX Nieuwendijk

Name and address of the certificate holder : Boer Speeltoestellen
Hyacinthstraat 2
4255 HX Nieuwendijk

Certificate issued on the basis of the following requirements : Warenwetbesluit Attractie- en Speeltoestellen,
NEN-EN 1176-1:2008, NEN-EN 1176-2:2008

Test laboratory : None

Date and number of the laboratory report : None

Date of type-examination : 16 October 2008 - 20 May 2009

Annexes with this certificate : Report belonging to the type-examination certificate
nr.: 100313232


Additional remarks : None

Conclusion : The playground equipment meets the requirements of the above specified European standard(s) and "Warenwetbesluit Attractie- en Speeltoestellen" taking into account any additional remarks mentioned above.

Issued in Amsterdam
Date of issue : 5 June 2009

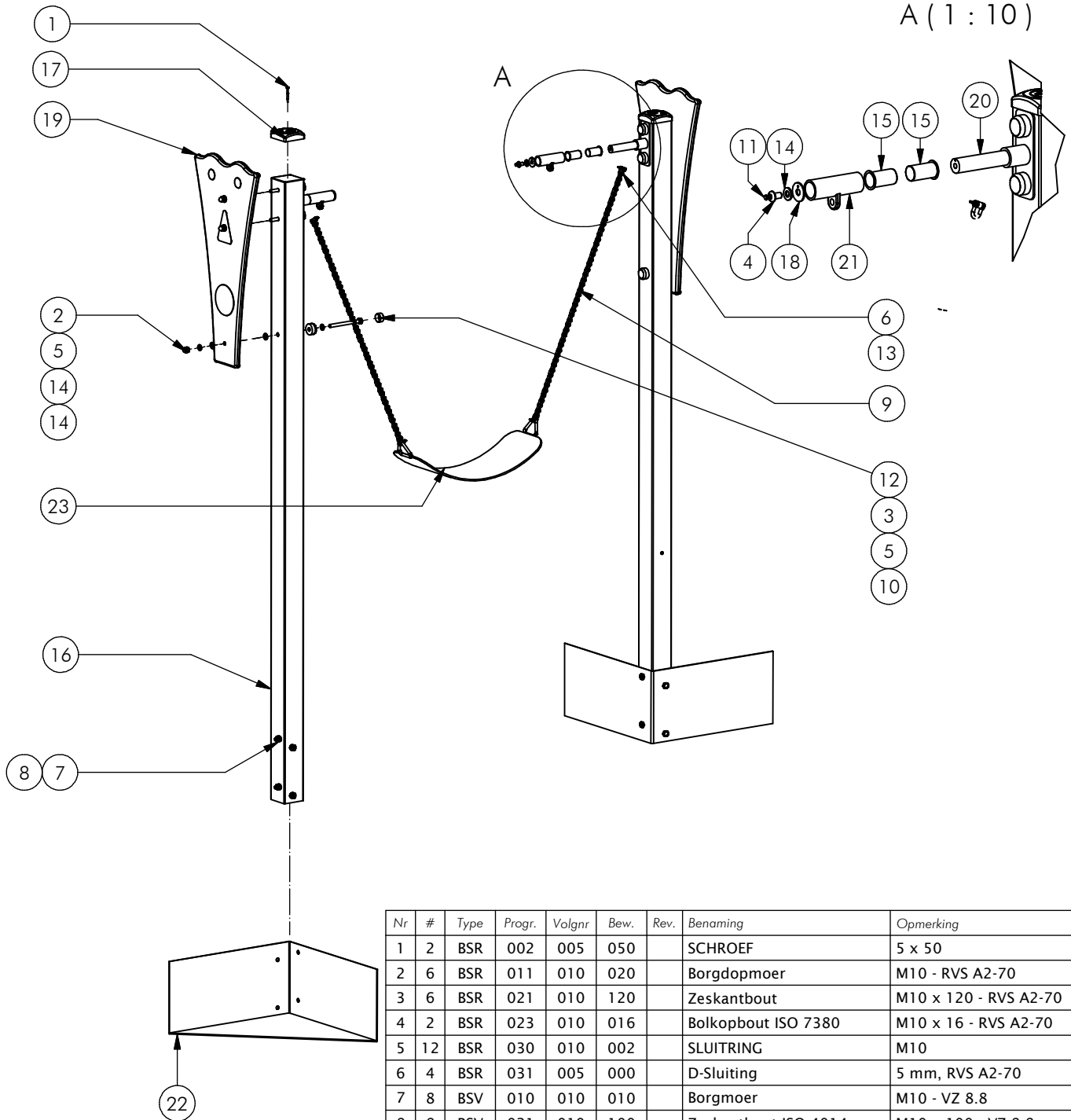


Ir. V.M.A. Barendregt
LIFTINSTITUUT B.V.
Senior Officer Certification
& Technology



Drs. B. Mulder
LIFTINSTITUUT B.V.
Director Certification &
Inspection International

A (1 : 10)



Nr	#	Type	Progr.	Volgnr	Bew.	Rev.	Benaming	Opmerking
1	2	BSR	002	005	050		SCHROEF	5 x 50
2	6	BSR	011	010	020		Borgdopmoer	M10 - RVS A2-70
3	6	BSR	021	010	120		Zeskantbout	M10 x 120 - RVS A2-70
4	2	BSR	023	010	016		Bolkopbout ISO 7380	M10 x 16 - RVS A2-70
5	12	BSR	030	010	002		SLUITRING	M10
6	4	BSR	031	005	000		D-Sluiting	5 mm, RVS A2-70
7	8	BSV	010	010	010		Borgmoer	M10 - VZ 8.8
8	8	BSV	021	010	100		Zeskantbout ISO 4014	M10 x 100 - VZ 8.8
9	2	KET	005	002	086		RVS ketting 5mm	0,86 m lang
10	6	KST	DON	010	030		Beschermkop M10-M12	Donut rood
11	2	KST	DOP	006	030		OPVULDOPJE	6 MM ROOD
12	6	KST	DOP	010	030		Beschermkop M10-M12	Dop rood
13	2	KST	RNG	005	008		RING	KUNSTSTOF
14	14	KST	ROR	010	000		RING NYLON	M10 x 2.5 MM
15	4	LAG	IGS	025	048		Glijlager	Igus
16	2	OHO	UKP	127	HHT		Staander schommel	Ukkepuk
17	2	OME	KAP	080	ZMK		PAALKAP 80	Zamak, Ral 5003
18	2	OME	UKP	561	320		Eindplaat schommelas	Ukkepuk
19	2	OPE	UKP	032	030	B	Schommelkop Oh	Ukkepuk
20	2	SME	UKP	558	320	B	Schommelas	Ukkepuk
21	2	SME	UKP	559	320	C	Loopdeel scharnier	Ukkepuk
22	2	SME	VRB	616	372		Grondanker	Extra zwaar
23	1	SNT	UKP	002	ZWT		Schommelzitze	Ukkepuk



Benaming Title Schommel
 Opmerking Comment Ukkepuk
 Datum Date 4-1-2016

Tekening Drawing

MOD UKP HHT 157 B
 Samenstelling module Assembly module