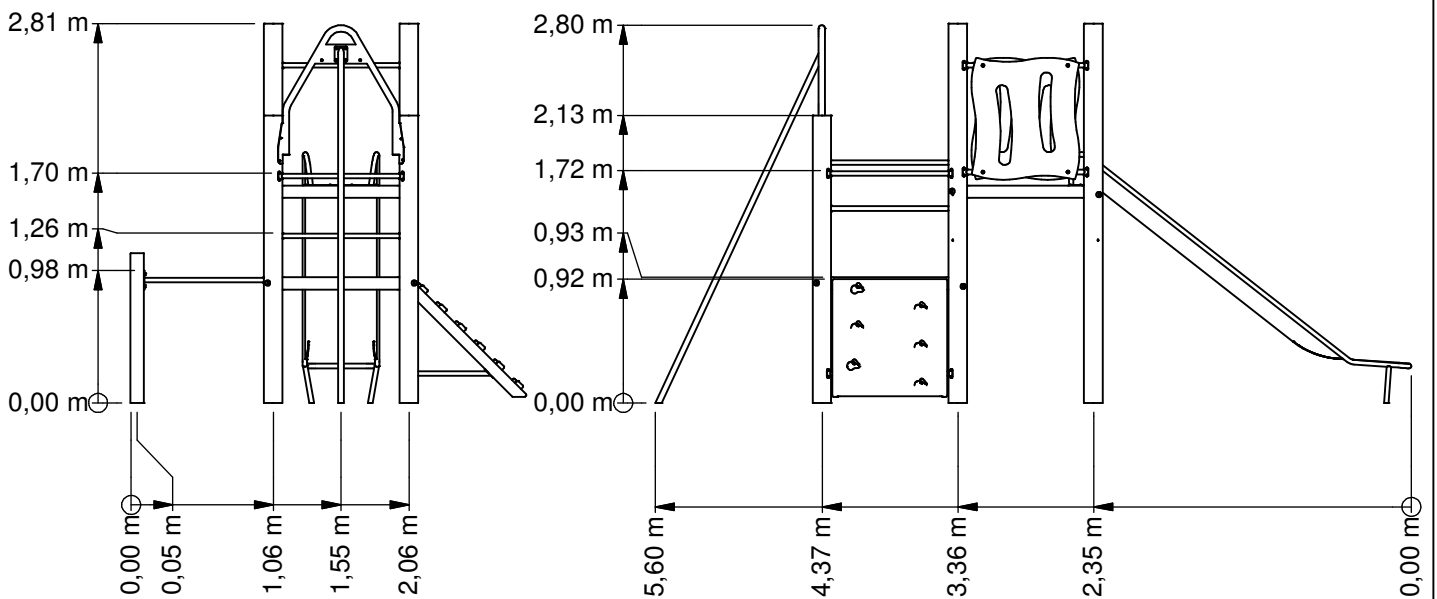
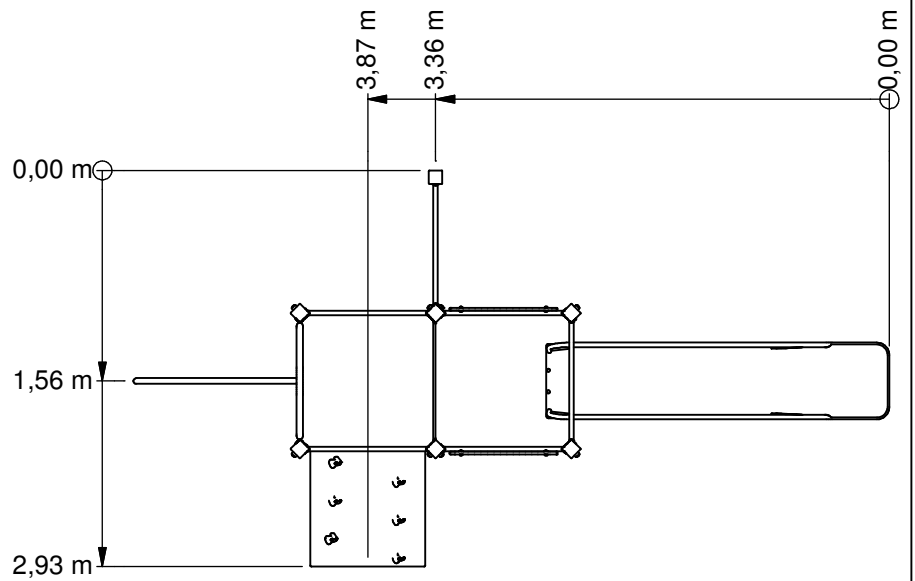
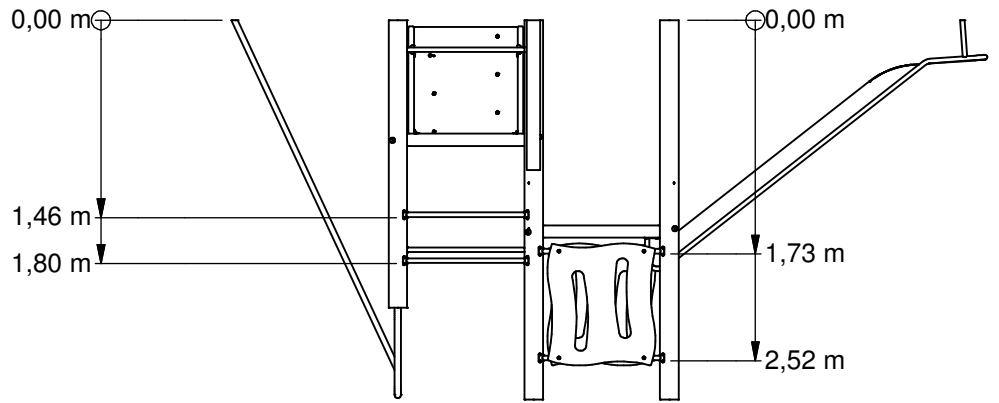




Combination equipment



VRBE060.111



Benaming
Title Vrijbuiters

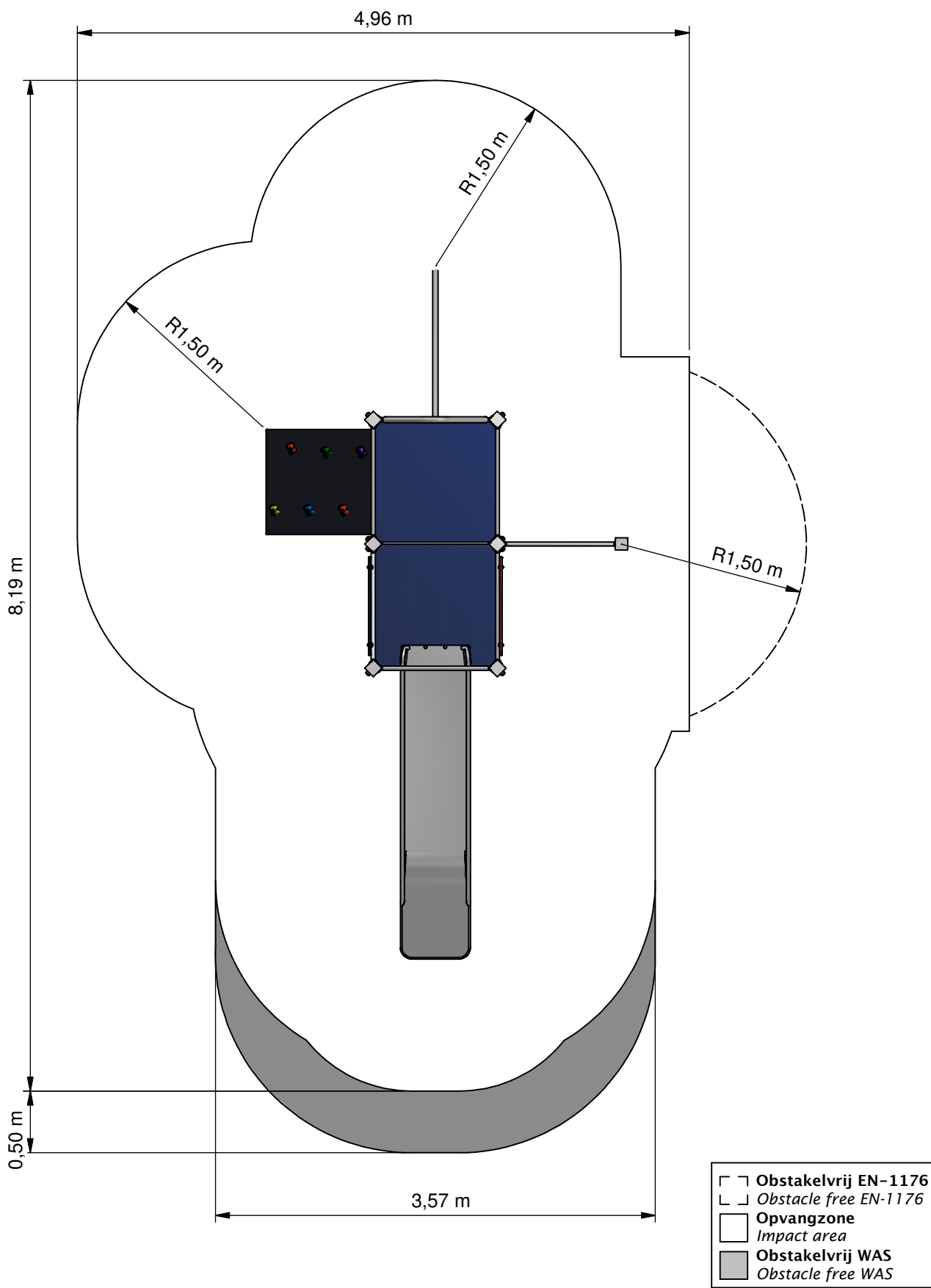
Opmerking
Comment RVS

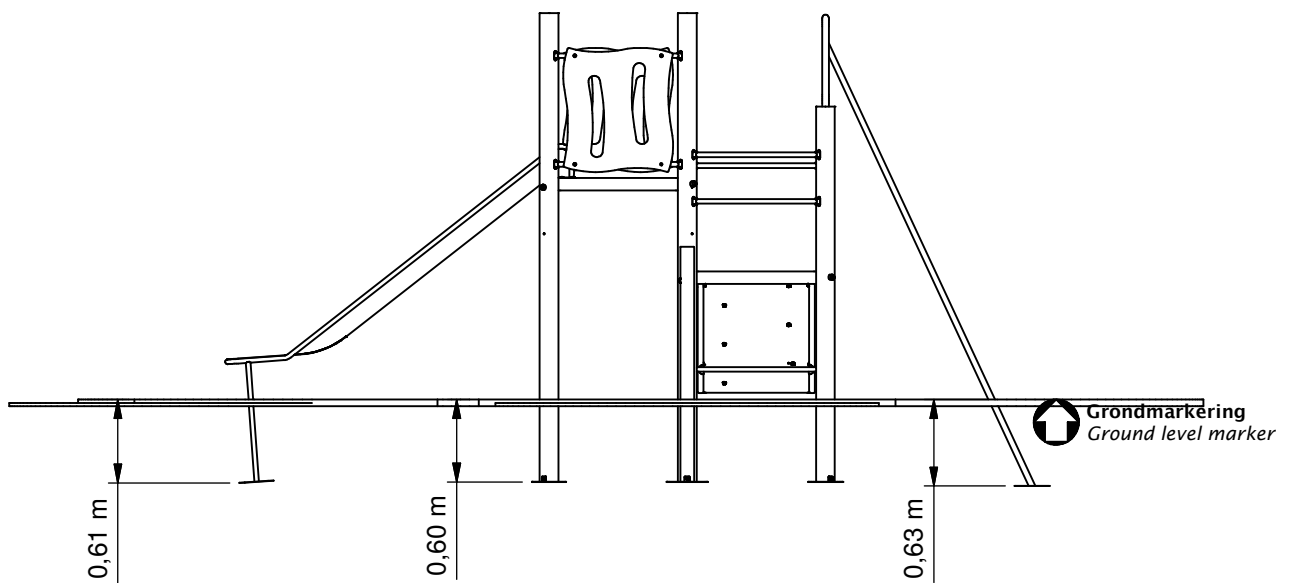
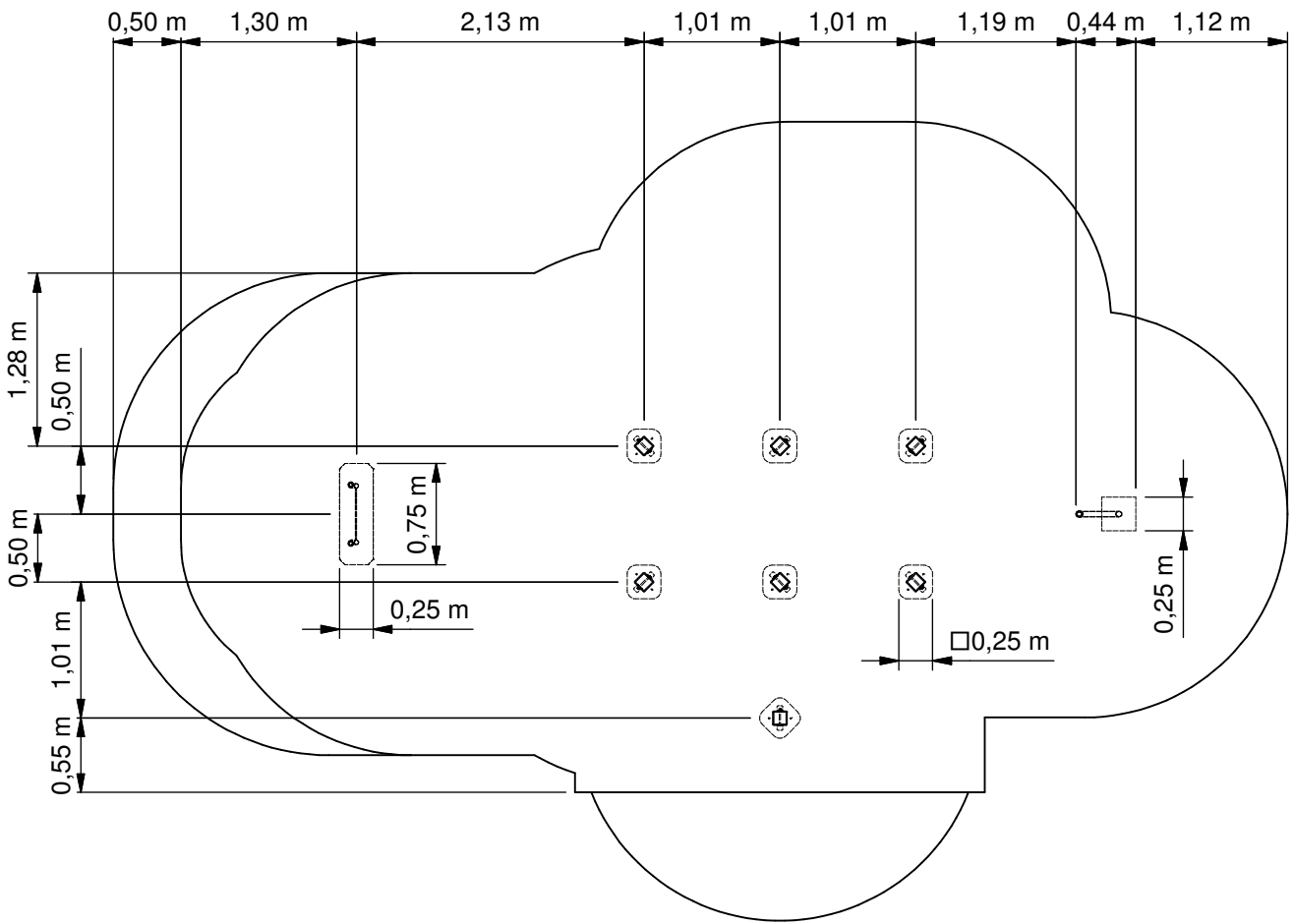
Datum
Date 26-6-2009

Tekening
Drawing

TOE VRB 060 111

Afmetingen Dimensions



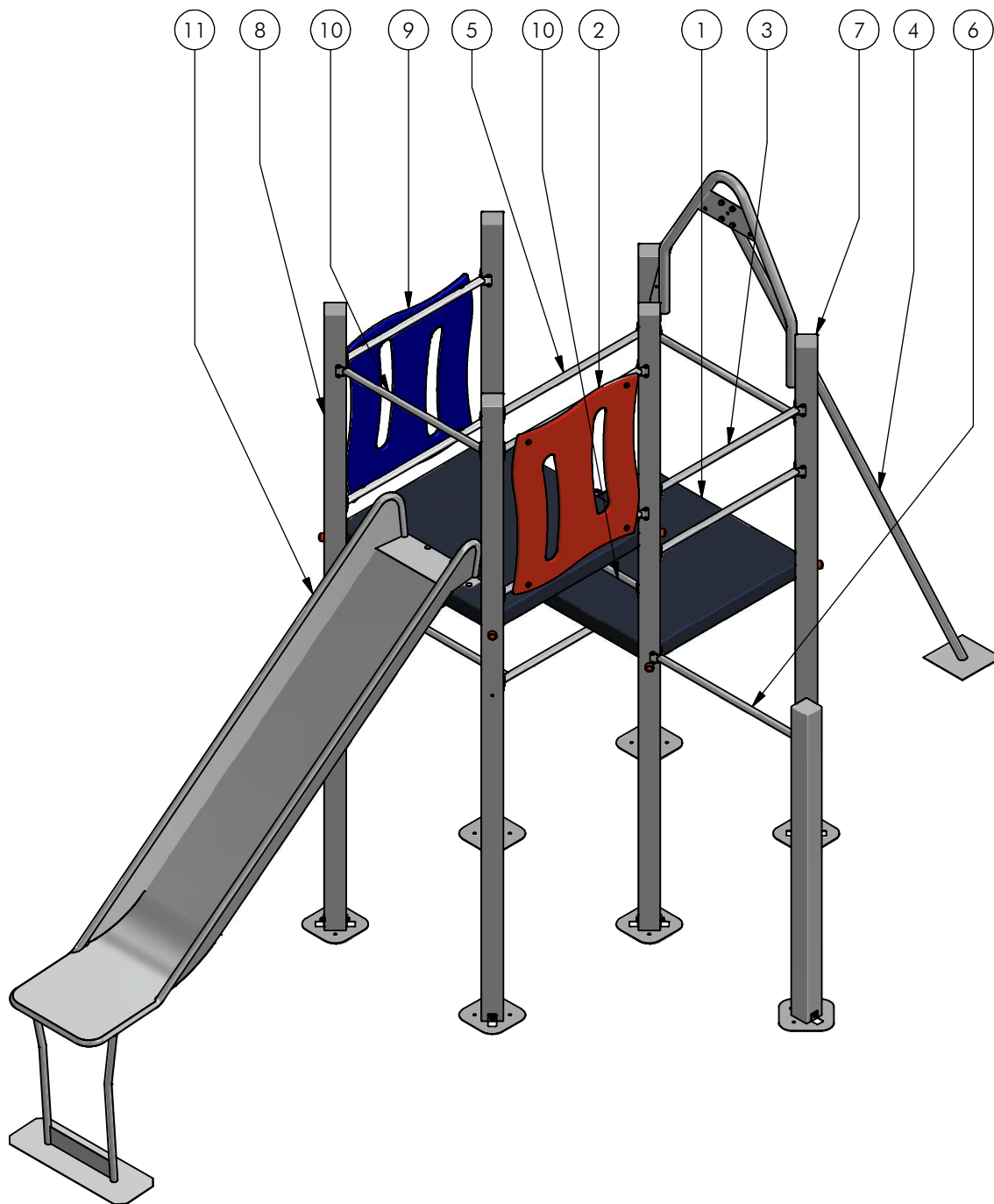


Benaming / Title: Vrijbuitter
 Opmerking / Comment: RVS
 Datum / Date: 26-6-2009

Tekening / Drawing

TOE VRB 060 111

Bodemplan Groundplan



Nr	#	Type	Progr.	Volgnr	Bew.	Rev.	Benaming	Opmerking
1	2	MOD	VRB	RVS	008		VIERKANTVLOER	VRIJBUITER
2	1	MOD	VRB	RVS	011	A	WANDJE SLEUF	ROOD
3	1	MOD	VRB	RVS	012		WANDJE	BUIS DUBBEL
4	1	MOD	VRB	RVS	022	A	GLIIPAAL	VLOER 93 CM
5	1	MOD	VRB	RVS	027		OPLOOP	VRB
6	1	MOD	VRB	RVS	051		AANBOUW DUIKEL	ENKEL
7	2	MOD	VRB	RVS	052		Staander 93 vloer	213 CM
8	4	MOD	VRB	RVS	055		STAANDER OPSTAP	281 CM
9	1	MOD	VRB	RVS	059	A	WANDJE SLEUF	BLAUW
10	2	MOD	VRB	RVS	075		SYSTEEMBUIS	ENKEL
11	1	MOD	VRB	RVS	192		Glijbaan 161 cm	Module RVS



Benaming
Title | Vrijbuitter

Opmerking
Comment | RVS

Datum
Date | 26-6-2009

Tekening
Drawing

TOE VRB 060 111

Modules Modules

VRBE060.111

Combination equipment

LOGBOOK

(Onderstaand logboek kan gebruikt worden om te voldoen aan de eisen, gesteld in artikel 14 van het Warenwetbesluit Attractie- en Speeltoestellen)

Type indication	Nature Play
Product code	VRBE060.111
Name of equipment	Vrijbuitter Klimklautertoestel
Maximum height of fall	1,6 m
Year of construction	2017
Certificate	09200116201
inspection authority	Liftinstituut B.V. Buikslotermeerplein 381, A'dam - 1025 XE Amsterdam
Name manufacturer	BOERplay Hyacintstraat 2 - 4255 HX Nieuwendijk Phone: +31 (0)183 40 23 66 Fax: +31 (0)183 40 35 64
name installer	_____ _____
Description of equipment	Combination equipment
Location of equipment	_____
Data about the owner of the play equipment	
Name:	_____
Address:	_____
Postcode and town:	_____
Contact person:	_____
Telephone number:	_____
Data about the administrator of the play equipment	
Name:	_____
Address:	_____
Postcode and town:	_____
Contact person:	_____
Telephone number:	_____

LOGBOOK

Inspection and maintenance intervals



Nr.	Inspection	Maintenance	months between inspections
1	Verify equipment's stability, junctions and missing parts. Inspect bolts, screws and nuts for absence, jams, corrosion and wear.	Add missing parts, secure joints, apply missing fixing agent and replace corroded parts.	1
2	Check suspension for wear.	Replace worn parts and/or remove non-functioning parts.	1
3	Inspect rotating parts such as hinges, rolling-element bearings, etc. for wear and acceptability.	Replace worn parts and/or remove non-functioning parts.	1
4	Check wood for splinters, unacceptable damage and signs of rot. Especially at ground level.	Repair damage. Replace affected wood. Smoothen splintered wood and sharp edges.	1
5	Inspect foundation for stability, tearing and coverage.	Restore foundation and covering material.	3
6	Examine rubber and synthetic parts for wear, damage and break.	Replace original parts.	3
7	Inspect metal for corrosion and damage in the coating.	Restore any damaged coating (after removing rust and applying primer).	6
8	Check ropes, cables, chains and nets for wear and damage. Steel cables and nets which are tensioned must be checked for tension.	Replace parts where necessary. Steel cables and nets must be tensioned.	3
9	Inspect equipment for unsafe changes and additions.	Remove unsafe additions and correct unsafe changes.	1
10	Inspect safety surfaces.	Restore and repair where necessary.	1

Remarks

1. If used intensively, all points require extra attention.
2. Extreme weather conditions and locations may require a higher inspection frequency. Discuss this with the supplier.
3. Vandalism-sensitive locations require stricter inspections, possibly daily.
4. Check the terrain regularly for items that do not belong there, are unsafe or may be used wrongly. Examples are poisonous plants, glass shards, etc. Frequency depends on strain.
5. Remember that bad maintenance leads to unsafe conditions and notably faster impoverishment of the playground area.
6. Replacement parts can be ordered at the manufacturer with the part numbers on the module drawing. Drawings can be found in de user guide.
7. The impact area shall be provided with impact attenuating surface according to the specified falling height.
8. This list is conform the CEN-standard "playground equipment and surfacing NEN-EN 1176-7".

TYPE-EXAMINATION CERTIFICATE

Acting under the "Warenwetbesluit Attractie- en Speeltoestellen" issued by Liftinstituut B.V.
commissioned by departmental order, no. VGP/PSL 2857566 from 27 Juni 2008.

Certificate nr. : NL 09-2001-162-01 Revision nr.: 200116201

Description of the product : Playground equipment, made up by modules

Trademark, type : Speelwijzer, MOD VRB: 001 t/m 019, 021 t/m 027, 029, 031,032, 034 t/m 062, 065, 066, 071 t/m 074, 076, 077, 079 t/m 082, 190 t/m 193

Name and address of the manufacturer : Speelwijzer
Nijverheidsstraat 8
5317 NL Nederhemert Noord

Name and address of the certificate holder : Speelwijzer
Nijverheidsstraat 8
5317 NL Nederhemert Noord

Certificate issued on the basis of the following requirements : Warenwetbesluit Attractie- en Speeltoestellen

Test laboratory : None

Date and number of the laboratory report : None

Date of type-examination : September 3th 2001, February 9th 2009

Annexes with this certificate : Report belonging to the type-examination certificate nr.: NL 09-2001-162-01

Additional remarks : This certificate supersedes type certificate dated June 21th 2002, with certificate number NL 01-2001-162-01

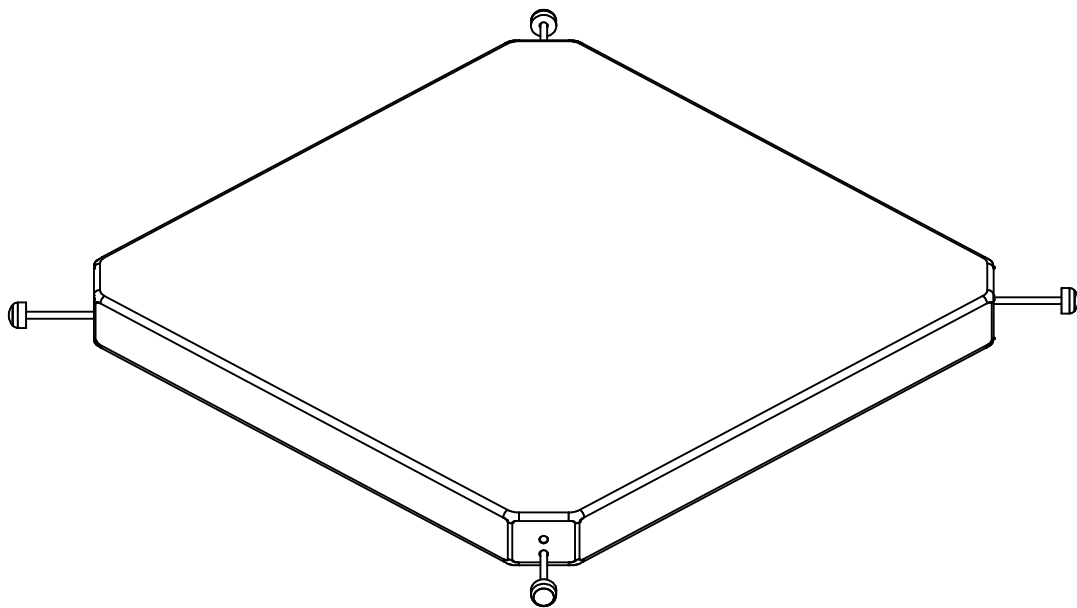
Conclusion : The playground equipment meets the requirements of the above specified European standard(s) and "Warenwetbesluit Attractie- en Speeltoestellen" taking into account any additional remarks mentioned above.



Issued in Amsterdam

Date of issue : April 7th, 2009

Ir. V.M.A. Barendregt
Senior Officer Certification &
Technology
Liftinstituut B.V.



Nr	#	Type	Progr.	Volgnr	Bew.	Rev.	Benaming	Opmerking
1	4	BSR	011	010	020		DOPMOER	BORG RVS M10
2	4	BSR	021	010	160		Zeskantbout	M10 x 160 - RVS A2-70
3	4	BSR	030	010	002		SLUITRING	M10
4	4	BSR	035	010	030		CARROSSERIERING	M10 x 30 x 2,5
5	4	KST	DON	010	030		Beschermkop M10-M12	Donut Rood
6	4	KST	DOP	010	030		Beschermkop M10-M12	Dop rood
7	4	KST	LAM	015	005		LAMELLENSTOP	ROND 15
8	1	SHO	VRB	001	COA	C	Vloer VRB	Vierkant



Benaming
Title | VIERKANTVLOER

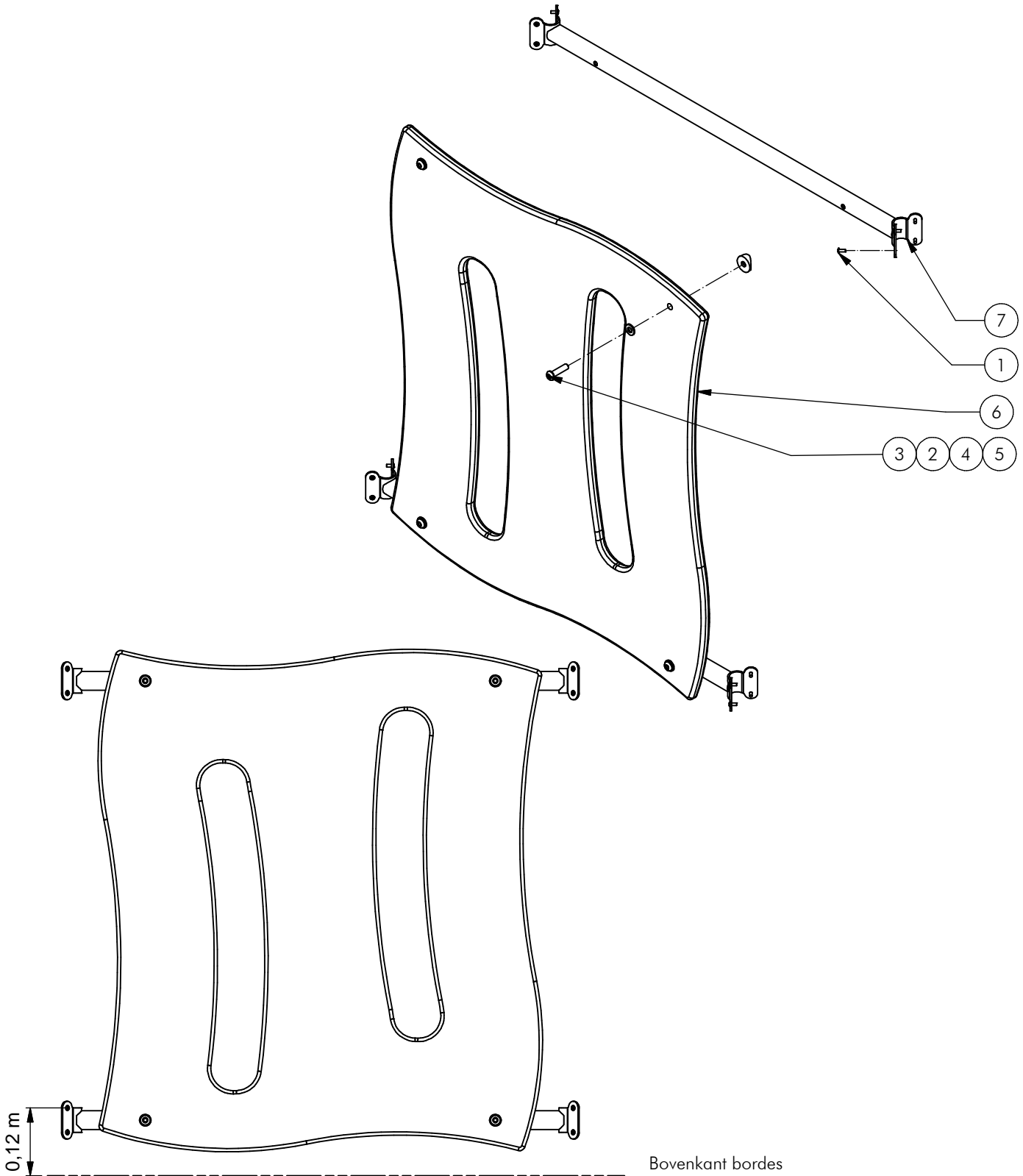
Opmerking
Comment | VRIJBUITER

Datum
Date | 2-1-2007

Tekening
Drawing

MOD VRB RVS 008

Samenstelling module *Assembly module*



Bovenkant bordes
(Top platform)

Nr.	#	Type	Progr.	Volgnr.	Bew.	Rev.	Benaming	Opmerking
1	16	BSR	014	005	050		Klinknagel bolkop	4.8 X 12 - RVS A2-70
2	4	BSR	023	010	040		Bolkopbout ISO 7380	M10 x 40 - RVS A2-70
3	4	KST	DOP	006	030		OPVULDOPJE	6 MM ROOD
4	4	KST	ROR	010	000		RING NYLON	M10 x 2.5 MM
5	4	KST	T33	010	000		ZADELRING	BUIS 33.7
6	1	OPE	VRB	002	030	G	WANDJE	SLEUF ROOD
7	2	SME	VRB	506	320	D	SYSTEEMBUIS	VRIJBUITER RVS



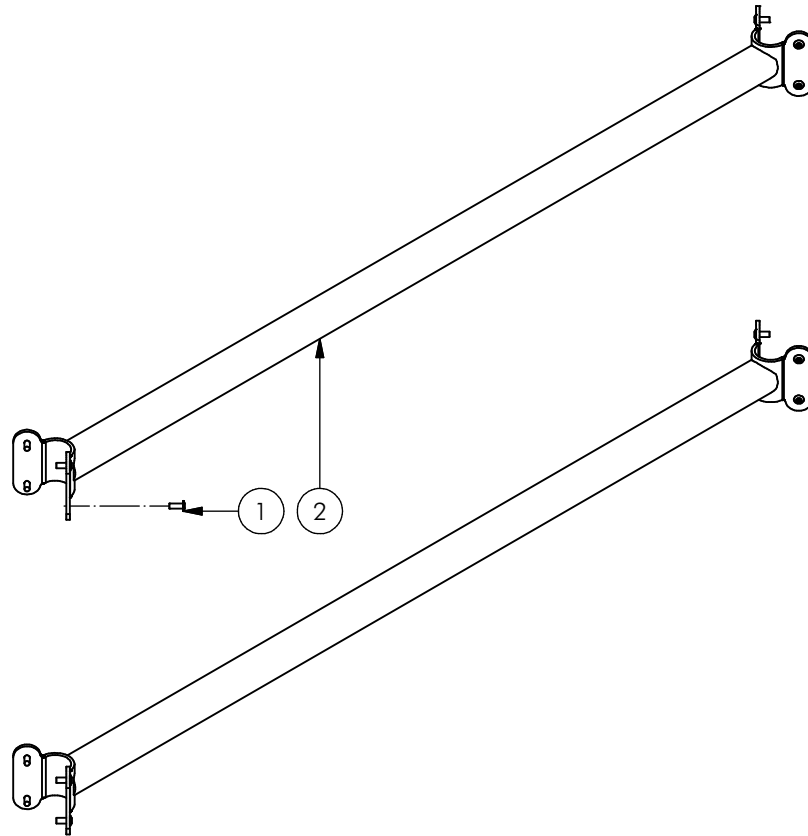
Benaming
Title WANDJE SLEUF

Opmerking
Comment ROOD

Datum
Date 19-11-2013

Tekening
Drawing

MOD VRB RVS 011 A
Samenstelling module *Assembly module*



2	2	SME	VRB	505	320	D	SYSTEEMBUIS	VRIJBUITER RVS
1	16	BSR	014	005	050		BOLKOPKLINKNAGEL	4.8X12
POS	N	TYPE	PROJ.	NR.	BEH.	R	BENAMING	OPMERKING



Benaming
Title | WANDJE

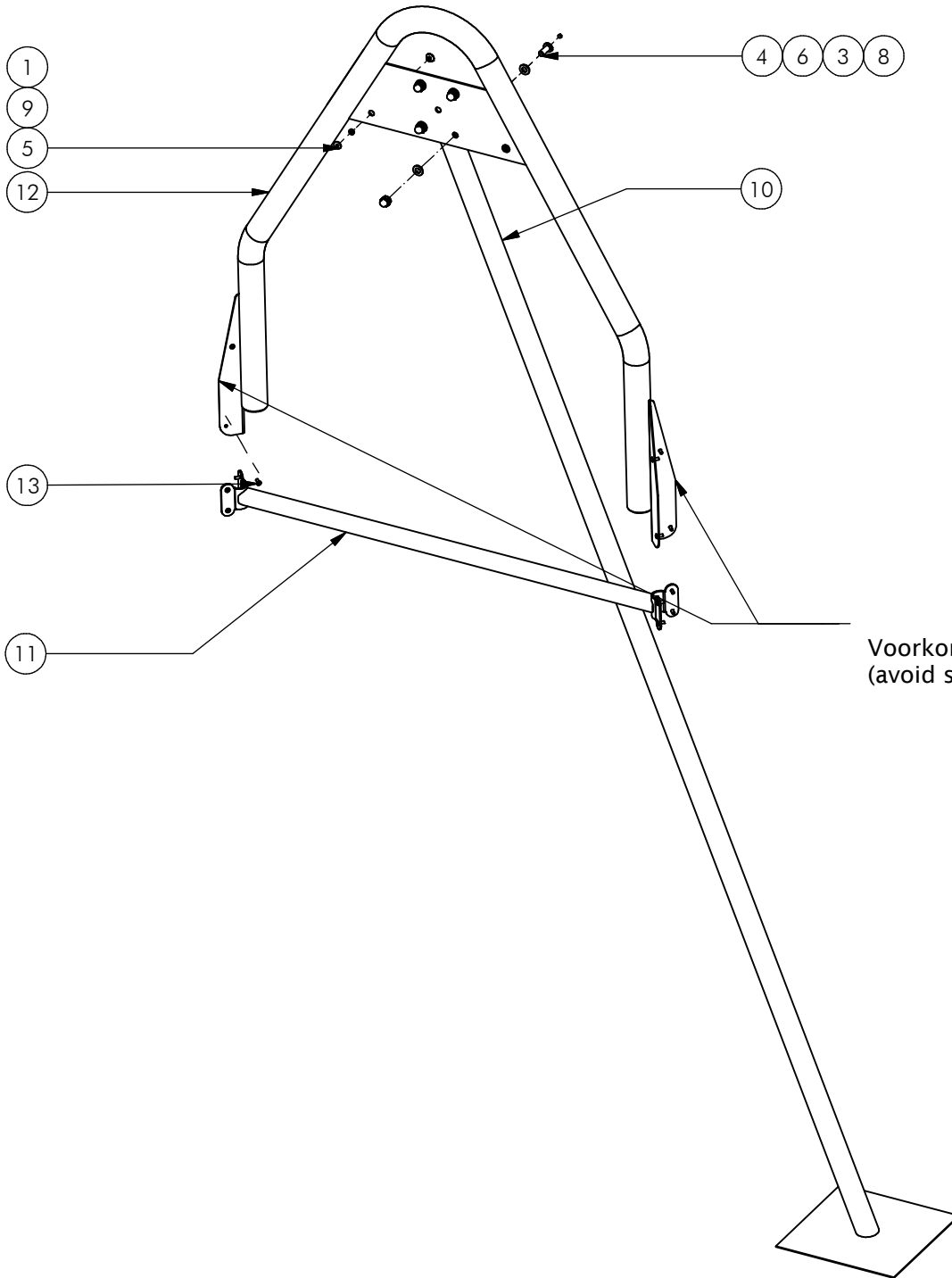
Opmerking
Comment | BUIS DUBBEL

Datum
Date | 25-9-2006

Tekening
Drawing

MOD VRB RVS 012

Samenstelling module *Assembly module*



Voorkom scherpe randen
(avoid sharp edges)

Nr	#	Type	Progr.	Volgnr	Bew.	Rev.	Benaming	Opmerking
1	2	BSA	014	004	054		POP NAGEL	GROTE KOP
3	4	BSR	011	010	020		DOPMOER	BORG RVS M10
4	4	BSR	023	010	025		BOLKOP SCHROEF	ISO 7380 - M10 x 25
5	2	BSR	030	005	001		Sluitring	M5 - RVS A2-70
6	8	BSR	030	010	002		SLUITRING	M10
8	4	KST	DOP	006	030		OPVULDOEPE	6 MM ROOD
9	2	KST	RNG	005	003		RING	KUNSTSTOF
10	1	SME	VRB	005	320	E	GLIJPAAL	VLOER 93 CM
11	1	SME	VRB	505	320	D	SYSTEEMBUIS	VRIJBUITER RVS
12	1	SME	VRB	512	320	E	KLIM/GLIJ BEUGEL	RVS
13	16	BSR	014	005	050		BOLKOPKLINKNAGEL	4.8X12



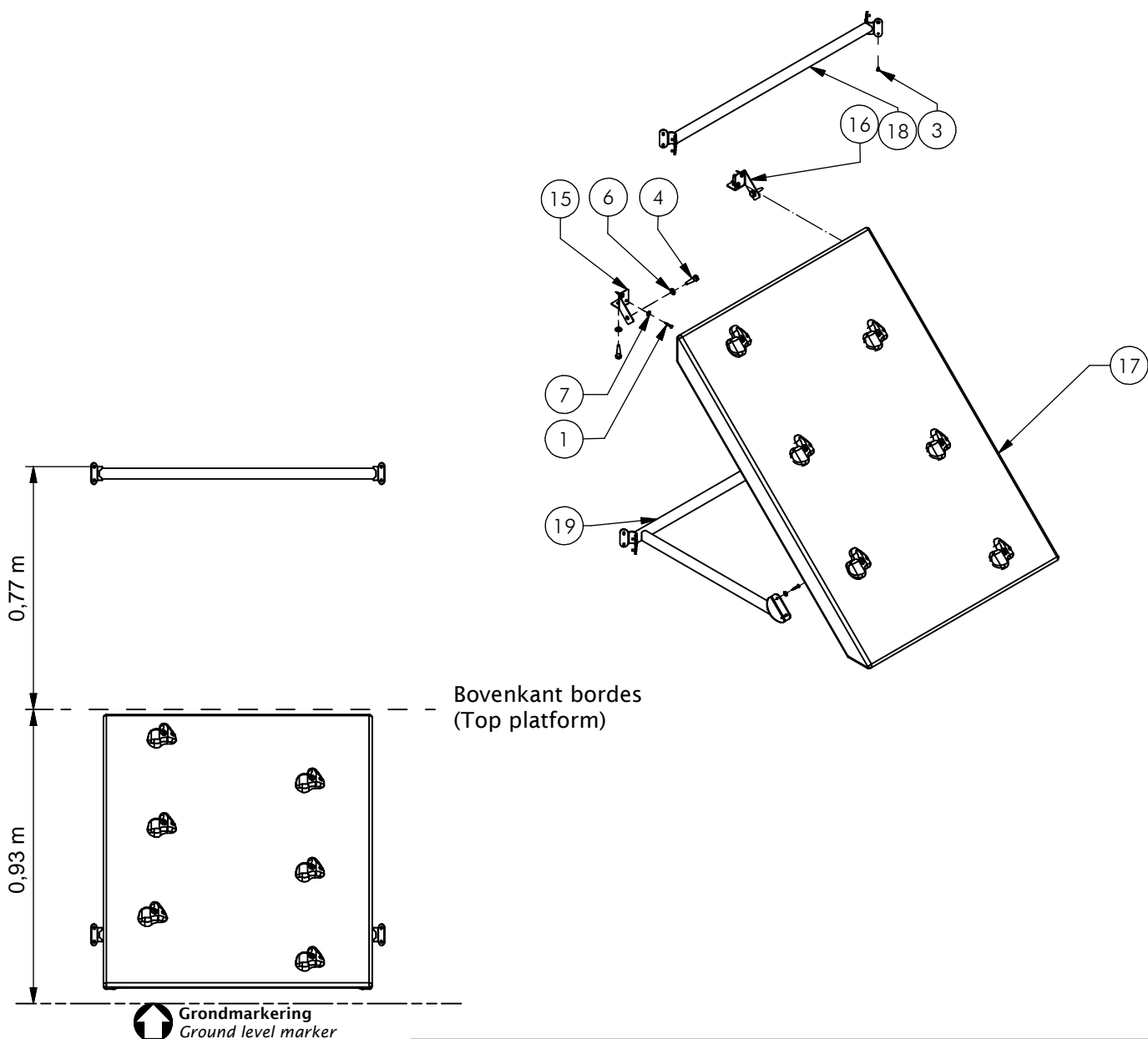
Benaming
Title: GLIJPAAL

Opmerking
Comment: VLOER 93 CM

Datum
Date: 1-12-2016

Tekening
Drawing

MOD VRB RVS 022 A
Samenstelling module Assembly module



Nr.	#	Type	Progr.	Volgnr.	Bew.	Rev.	Benaming	Opmerking
1	14	BSR	002	005	030		Schroef Assy	5 x 30 - RVS A2-70
2	6	BSR	011	010	020		DOPMOER	BORG RVS M10
3	16	BSR	014	005	050		Klinknagel balkkop	4.8 X 12 - RVS A2-70
4	4	BSR	022	010	040		Houtdraadbout	ø10 X 40 - RVS A2-70
5	6	BSR	024	010	050		Verzonken bout	M10 x 50 - RVS A2-70
6	10	BSR	030	010	002		SLUITRING	M10
7	8	BSR	036	005	015		Facet ring	M5 - RVS A2-70
8	2	KST	DOP	006	030		OPVULDOPJE	6 MM ROOD
9	4	KST	DOP	006	030		OPVULDOPJE	6 MM ROOD
10	1	KST	KNP	010	010		KLIMGREEP	GEEL
11	1	KST	KNP	010	050		KLIMGREEP	BLAUW
12	1	KST	KNP	010	070		KLIMGREEP	GROEN
13	2	KST	KNP	010	030		KLIMGREEP	ROOD
14	1	KST	KNP	010	040		KLIMGREEP	PAARS
15	1	OME	VRB	830	304		OPLOOP	BEUGEL LINKS
16	1	OME	VRB	831	304		OPLOOP	BEUGEL RECHTS
17	1	SHO	VRB	003	COA	B	OPLOOPPLAAT	VRIJBUITER
18	1	SME	VRB	505	320	D	SYSTEEMBUIS	VRIJBUITER RVS
19	1	SME	VRB	560	320	B	Steun	Oploop



Benaming
Title OPLOOP

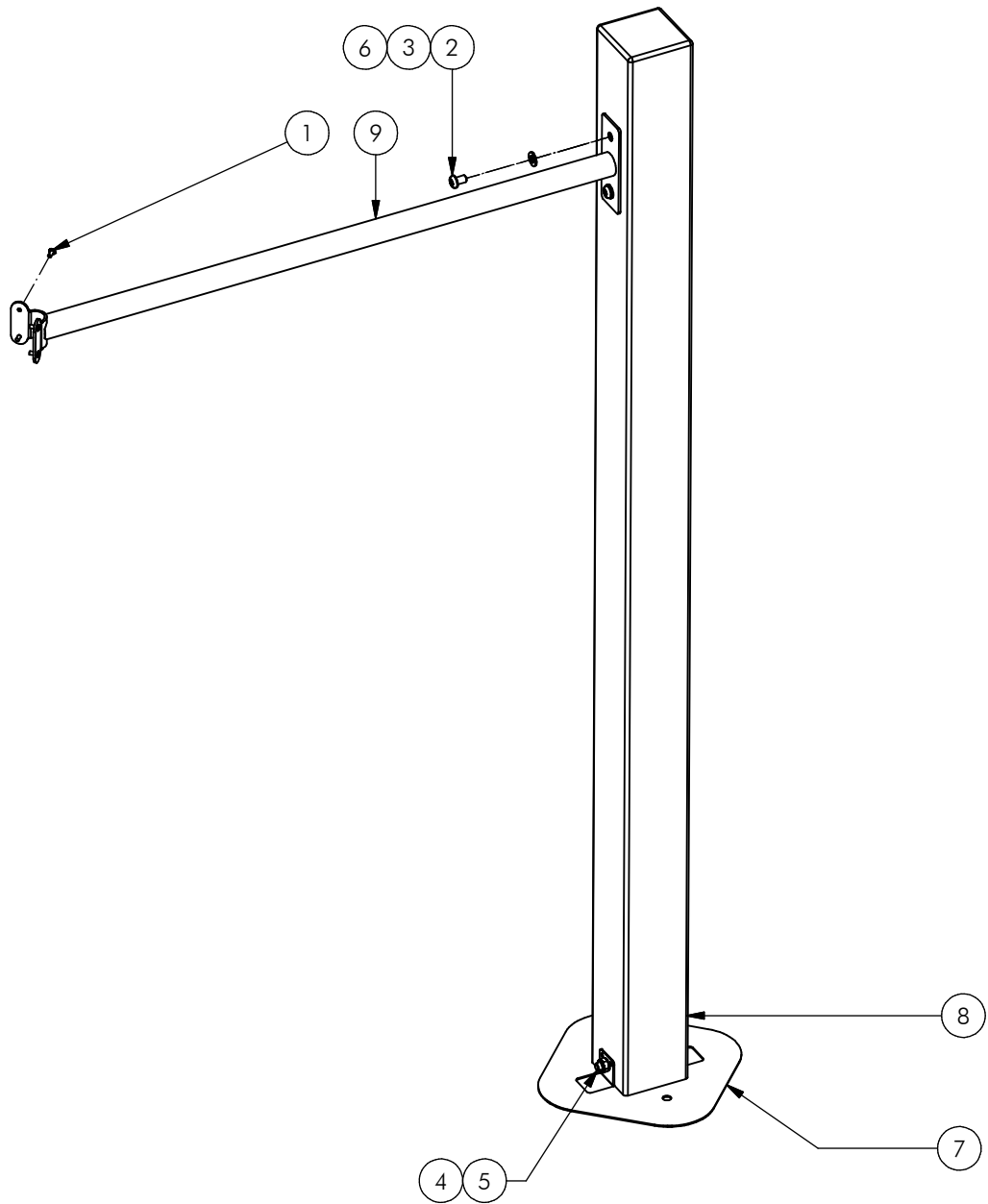
Opmerking
Comment VRB

Datum
Date 25-9-2006

Tekening
Drawing

MOD VRB RVS 027

Samenstelling module Assembly module



Nr.	#	Type	Progr.	Volgnr.	Bew.	Rev.	Benaming	Opmerking
1	4	BSR	014	005	050		Klinknagel balkop	4.8 X 12 - RVS A2-70
2	2	BSR	023	010	016		Balkopbout ISO 7380	M10 x 16 - RVS A2-70
3	2	BSR	030	010	002		SLUITRING	M10
4	1	BSV	010	010	010		Borgmoer	M10 - VZ 8.8
5	1	BSV	021	010	120		Zeskantbout ISO 4014	M10 x 120 - VZ 8.8
6	2	KST	DOP	006	030		OPVULDOPJE	6 MM ROOD
7	1	OME	VRB	903	VZP	C	Voetplaat	100 x 100
8	1	SME	VRB	577	320	A	STAANDER	DUIKEL 111 CM
9	1	SME	VRB	594	320		BUIS DUIKEL	VRJBUITER



Benaming
Title: AANBOUW DUIKEL

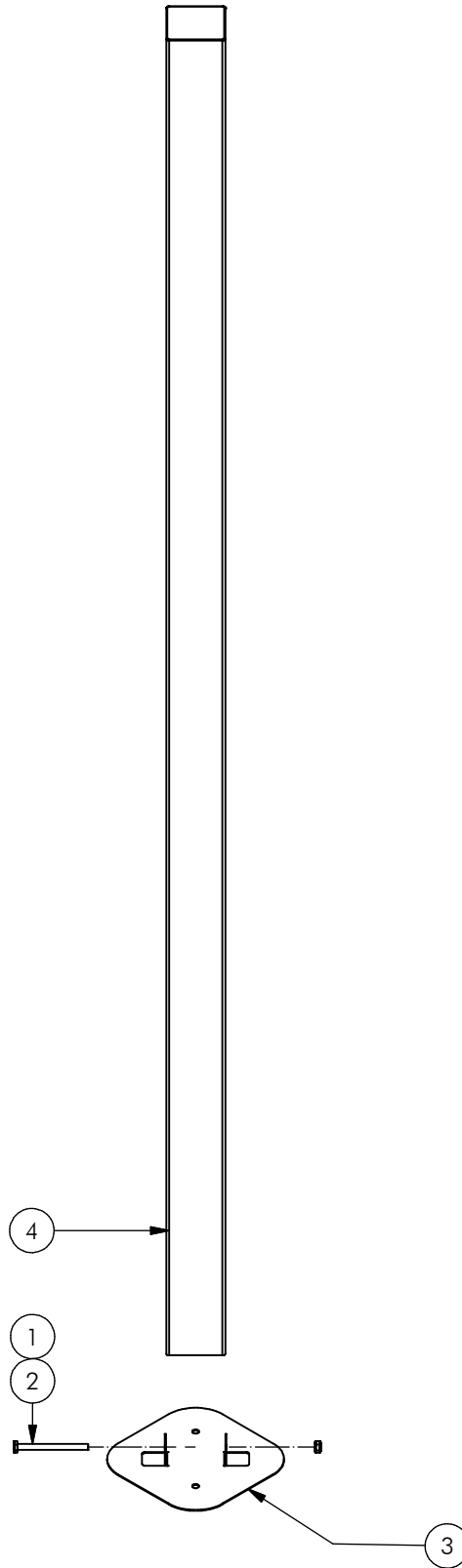
Opmerking
Comment: ENKEL

Datum
Date: 15-1-2007

Tekening
Drawing

MOD VRB RVS 051

Samenstelling module Assembly module



Nr.	#	Type	Progr.	Volgnr.	Bew.	Rev.	Benaming	Opmerking
1	1	BSV	010	010	010		Borgmoer	M10 - VZ 8.8
2	1	BSV	021	010	120		Zeskantbout ISO 4014	M10 x 120 - VZ 8.8
3	1	OME	VRB	903	VZP	C	Voetplaat	100 x 100
4	1	SME	VRB	638	320		Staander RVS	100x100 L=2730



Benaming
Title | Staander 93 vloer

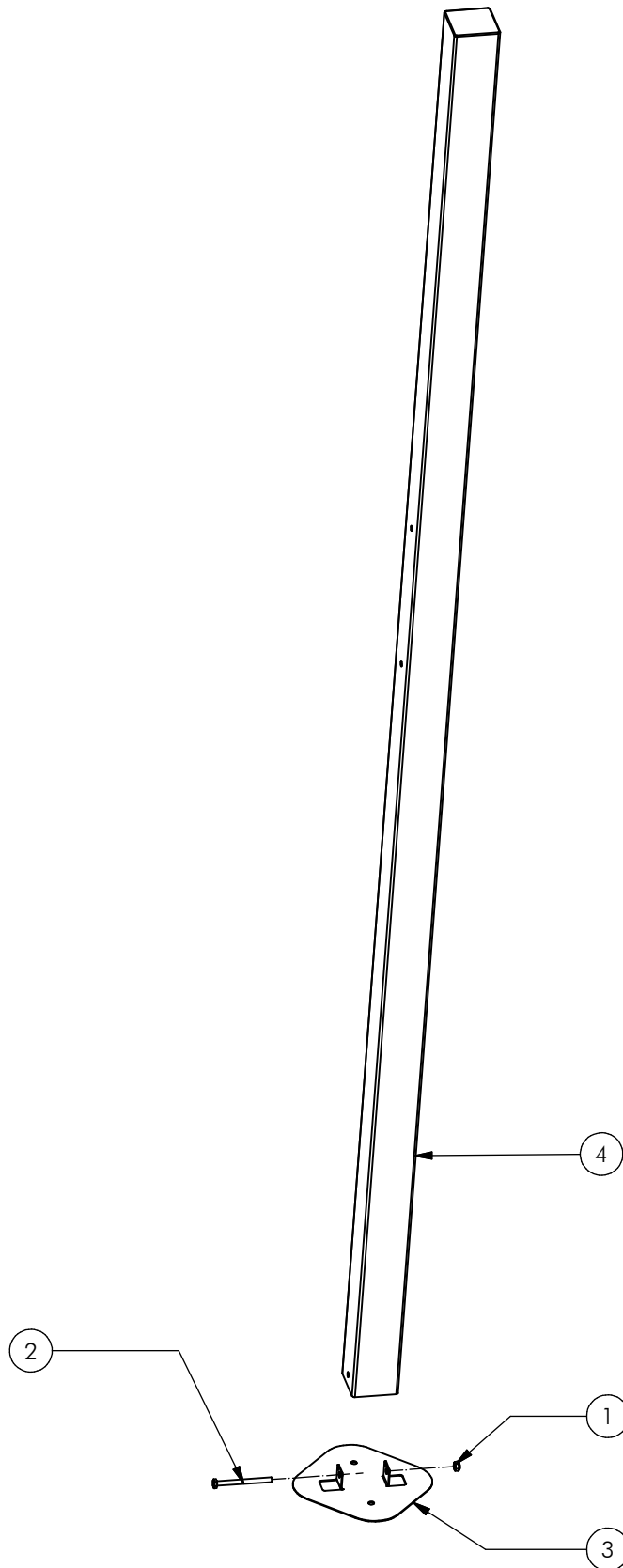
Opmerking
Comment | 213 CM

Datum
Date | 22-7-2009

Tekening
Drawing

MOD VRB RVS 052

Samenstelling module *Assembly module*



Nr.	#	Type	Progr.	Volgnr.	Bew.	Rev.	Benaming	Opmerking
1	1	BSV	010	010	010		Borgmoer	M10 - VZ 8.8
2	1	BSV	021	010	120		Zeskantbout ISO 4014	M10 x 120 - VZ 8.8
3	1	OME	VRB	903	VZP	C	Voetplaat	100 x 100
4	1	SME	VRB	575	320	B	Staander RVS	100x100, lengte=3410



Benaming
Title | STAANDER OPSTAP

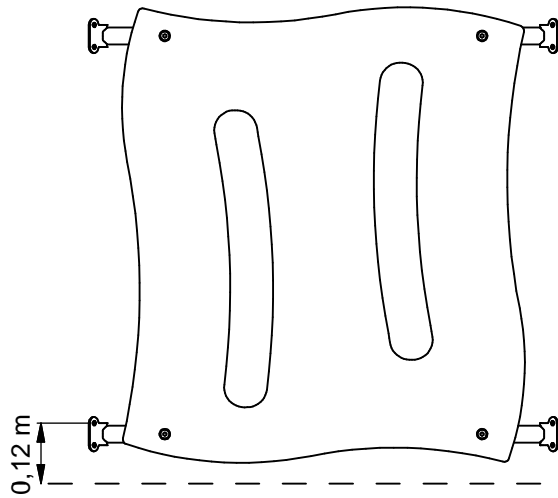
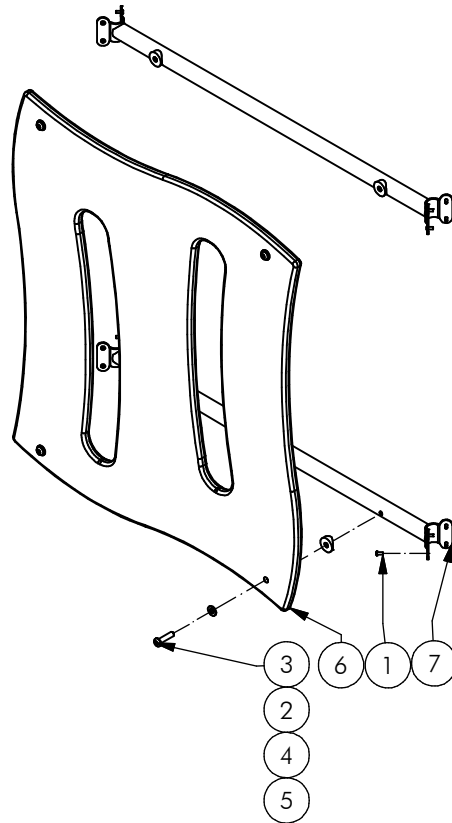
Opmerking
Comment | 281 CM

Datum
Date | 20-11-2006

Tekening
Drawing

MOD VRB RVS 055

Samenstelling module *Assembly module*



Bovenkant bordes
(Top platform)

Nr	#	Type	Progr.	Volgnr	Bew.	Rev.	Benaming	Opmerking
1	16	BSR	014	005	050		Klinknagel bolkop	4.8 X 12 - RVS A2-70
2	4	BSR	023	010	040		Bolkopbout ISO 7380	M10 x 40 - RVS A2-70
3	4	KST	DOP	006	030		OPVULDOPJE	6 MM ROOD
4	4	KST	ROR	010	000		RING NYLON	M10 x 2.5 MM
5	4	KST	T33	010	000		ZADELRING	BUIS 33.7
6	1	OPE	VRB	002	050	G	WANDJE	SLEUF BLAUW
7	2	SME	VRB	506	320	D	SYSTEEMBUIS	VRJUIJTER RVS



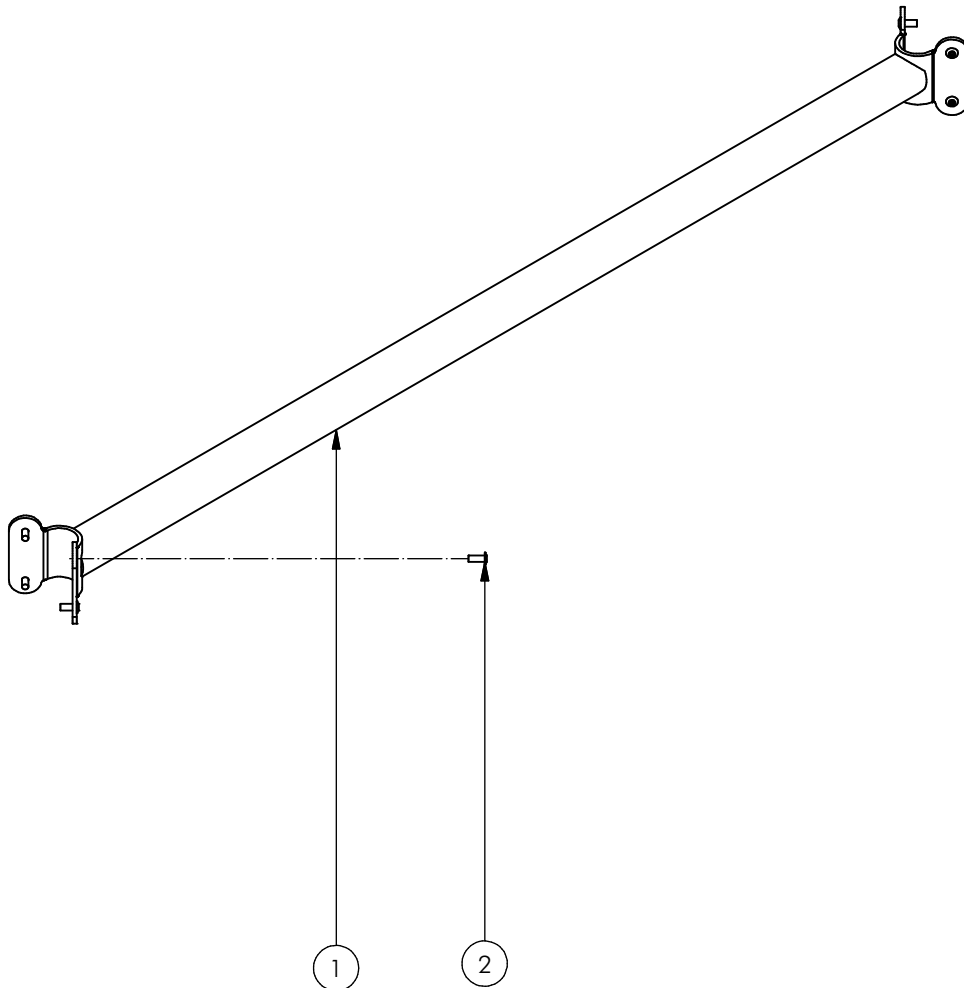
Benaming
Title WANDJE SLEUF

Opmerking
Comment BLAUW

Datum
Date 28-11-2013

Tekening
Drawing

MOD VRB RVS 059 A
Samenstelling module Assembly module



Nr	#	Type	Progr.	Volgnr	Bew.	Rev.	Benaming	Opmerking
1	1	SME	VRB	505	320	D	SYSTEEMBUIS	VRJBUITER RVS
2	8	BSR	014	005	050		Klinknagel bolkop	4.8 X 12 - RVS A2-70



Benaming
Title: SYSTEEMBUIS

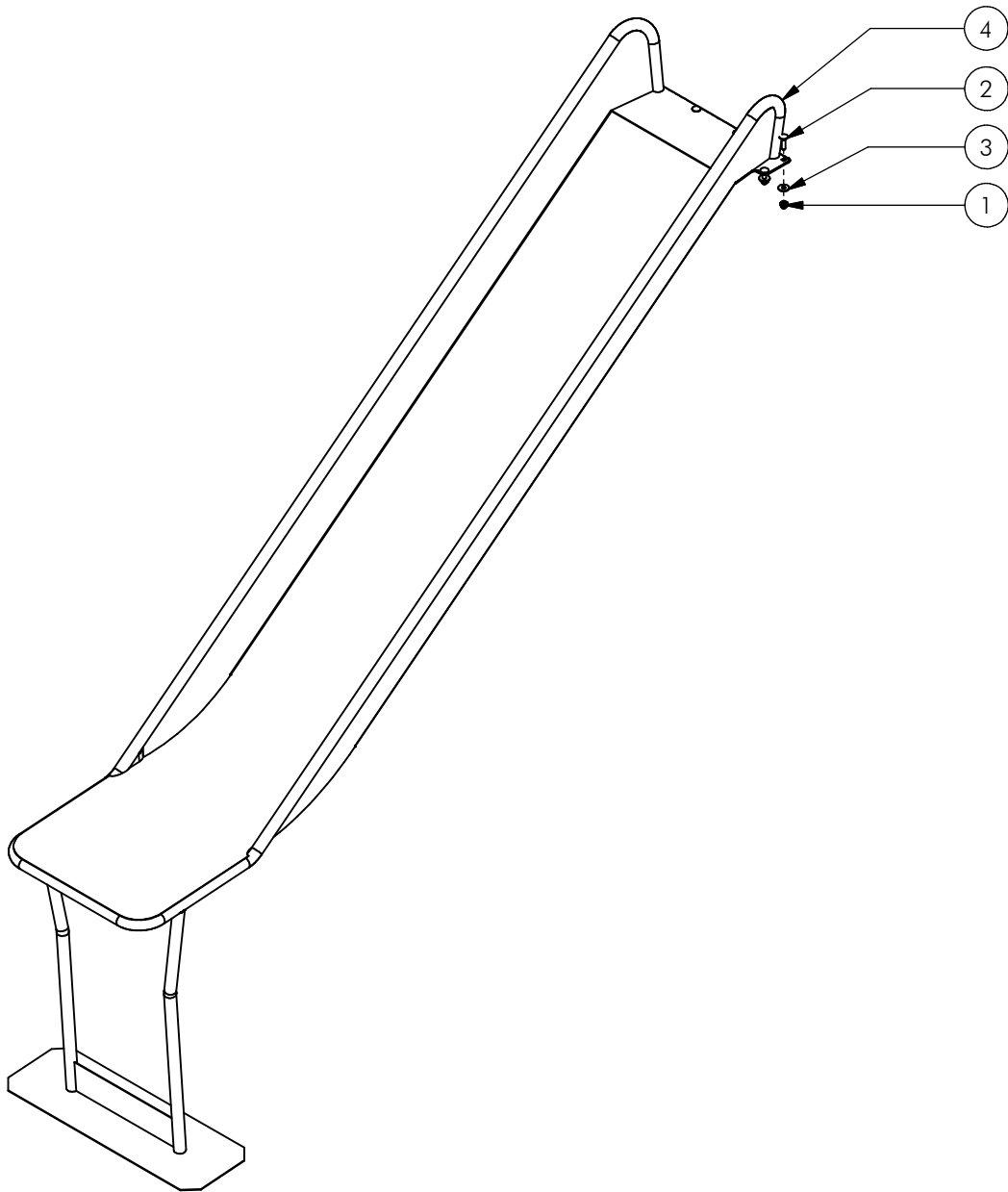
Opmerking
Comment: ENKEL

Datum
Date: 25-9-2006

Tekening
Drawing

MOD VRB RVS 075

Samenstelling module *Assembly module*



Nr	#	Type	Progr.	Volgnr	Bew.	Rev.	Benaming	Opmerking
1	6	BSR	011	010	020		Borgdopmoer	M10 - RVS A2-70
2	6	BSR	026	010	040		Slotbout	M10 x 40 - RVS A2-70
3	6	BSR	035	010	030		Carrosserie ring	M10 - RVS A2-70
4	1	SME	VRB	613	320	B	Glijbaan	161 cm



Benaming
Title: Glijbaan 161 cm

Opmerking
Comment: Module RVS

Datum
Date: 28-1-2009

Tekening
Drawing

MOD VRB RVS 192

Samenstelling module *Assembly module*