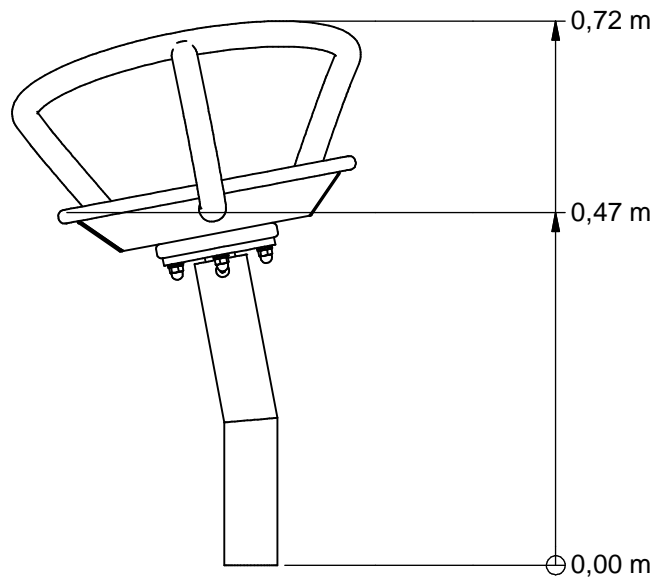
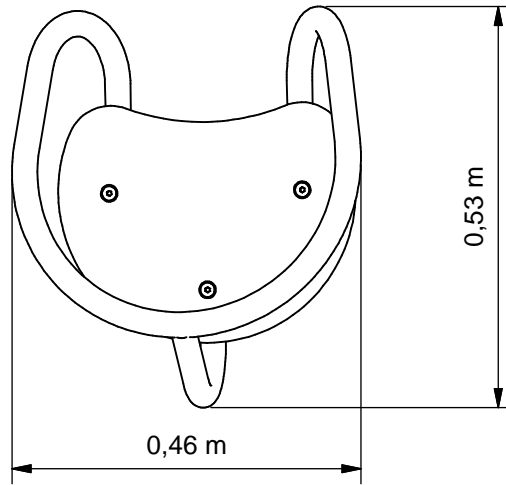


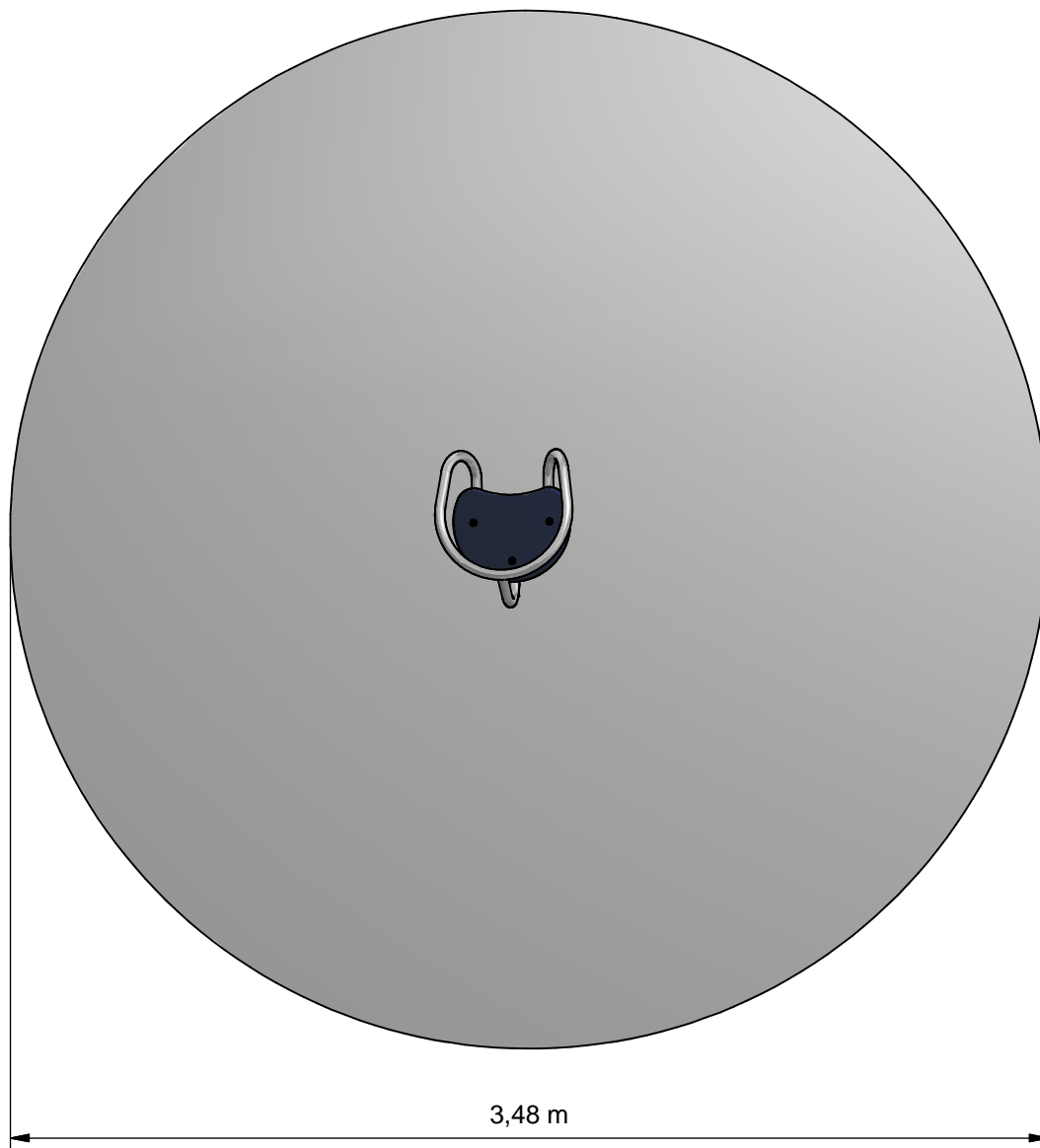


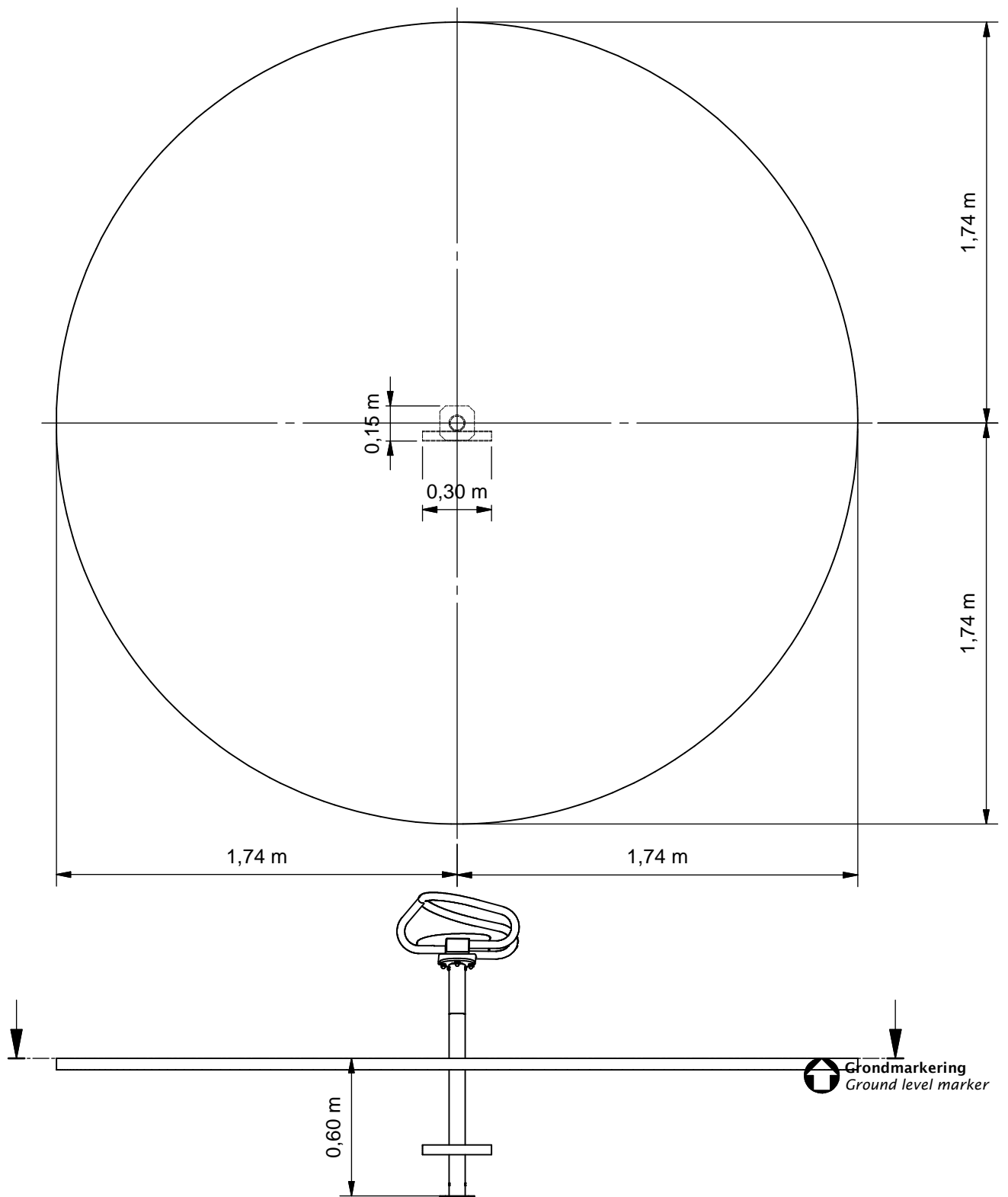
Swivel seat skewed



SOLE030.144







Geleverde modules:

Zie tabel

Supplied modules:

See table

Montageinstructie:

- De hoofdmaten geven de maten van de staanders en vloeren aan
- De detailtekeningen geven specifiek de maten van de verbindingen aan
- De modules met buizen zijn op de tekeningen bemaat op bovenkant kopplaat
- Overige modules zijn bemaat op de bovenkant (klimwanden, paalkappen, etc.)

Assembly instruction:

- The main dimensions indicate the dimensions of the posts and floors
- The detailed dimensions show the specific dimensions of the connections
- The modules which contain tubes are dimensioned at the top of the flanges
- Other modules are dimensioned at the top (climbing walls, caps for the posts, etc.)

Montagevolgorde:

- 1 - Graaf de gaten volgens het bodemplan
- 2 - Plaats 2,
- 3 - Plaats 1, verbind deze aan 2
- 4 - Controleer of het toestel voldoet aan de afmetingen zoals op blad 'afmetingen'
- 5 - Dicht de gaten en verdicht het zand

Assembly sequence:

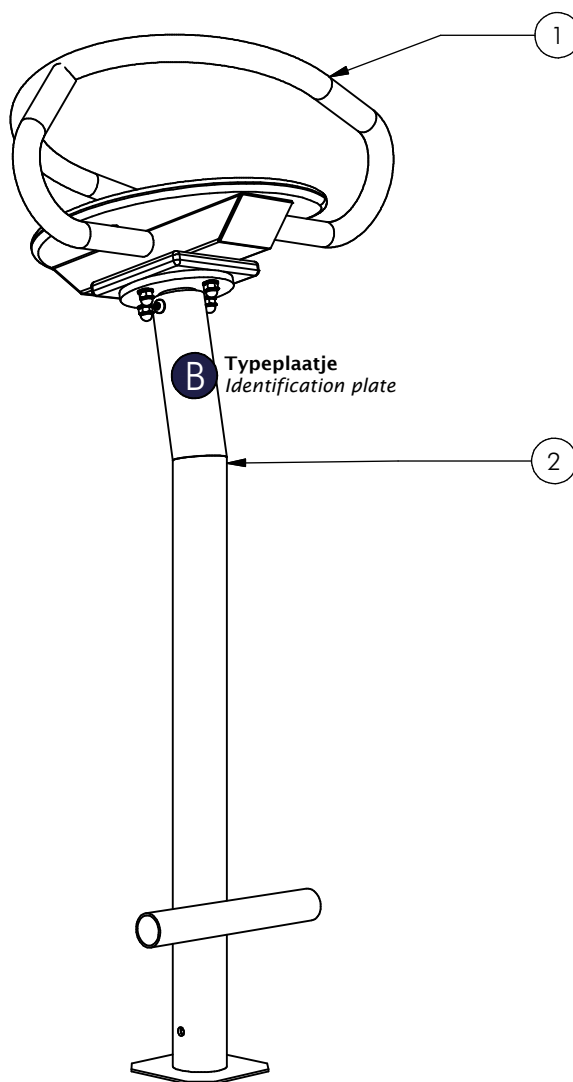
- 1 - Dig the holes according to the ground plan
- 2 - Place 2,
- 3 - Place 1, attach it to 2
- 4 - Check that the equipment conforms to the dimensions shown on sheet 'dimensions'
- 5 - Close the holes and compact the sand

Controles:

- 1 - Correcte opbouw en alle bevestigingsmiddelen
- 2 - Controleer de afmetingen van de valbodem t.o.v. het toestel

Checks:

- 1 - Correct assembly and all the fasteners
- 2 - Check the dimensions of the safety area with regard to the play equipment



Nr	#	Type	Progr.	Volgnr	Bew.	Rev.	Benaming	Opmerking
1	1	MOD	ROT	040	002	A	Draaideel	Duizelzitje
2	1	MOD	ROT	070	006		Duizel anker schuin	hoogte 40 cm



Benaming
Title Duizelzitje

Opmerking
Comment Schuin

Datum
Date 20-5-2016

Tekening
Drawing

TOE SOL 030 144 A

Modules Modules

SOLE030.144

Swivel seat skewed

LOGBOOK

(Onderstaand logboek kan gebruikt worden om te voldoen aan de eisen, gesteld in artikel 14 van het Warenwetbesluit Attractie- en Speeltoestellen)

Type indication	Pioneer Play
Product code	SOLE030.144
Name of equipment	Duizelzitje schuin
Maximum height of fall	0,5 m
Year of construction	2017
Certificate	09100312660
inspection authority	Liftinstituut B.V. Buikslotermeerplein 381, A'dam - 1025 XE Amsterdam
Name manufacturer	BOERplay Hyacintstraat 2 - 4255 HX Nieuwendijk Phone: +31 (0)183 40 23 66 Fax: +31 (0)183 40 35 64
name installer	_____ _____
Description of equipment	Swivel seat skewed
Location of equipment	_____
Data about the owner of the play equipment	
Name:	_____
Address:	_____
Postcode and town:	_____
Contact person:	_____
Telephone number:	_____
Data about the administrator of the play equipment	
Name:	_____
Address:	_____
Postcode and town:	_____
Contact person:	_____
Telephone number:	_____

LOGBOOK

Inspection and maintenance intervals



Nr.	Inspection	Maintenance	months between inspections
1	Verify equipment's stability, junctions and missing parts. Inspect bolts, screws and nuts for absence, jams, corrosion and wear.	Add missing parts, secure joints, apply missing fixing agent and replace corroded parts.	1
2	Check suspension for wear.	Replace worn parts and/or remove non-functioning parts.	1
3	Inspect rotating parts such as hinges, rolling-element bearings, etc. for wear and acceptability.	Replace worn parts and/or remove non-functioning parts.	1
4	Check wood for splinters, unacceptable damage and signs of rot. Especially at ground level.	Repair damage. Replace affected wood. Smoothen splintered wood and sharp edges.	1
5	Inspect foundation for stability, tearing and coverage.	Restore foundation and covering material.	3
6	Examine rubber and synthetic parts for wear, damage and break.	Replace original parts.	3
7	Inspect metal for corrosion and damage in the coating.	Restore any damaged coating (after removing rust and applying primer).	6
8	Check ropes, cables, chains and nets for wear and damage. Steel cables and nets which are tensioned must be checked for tension.	Replace parts where necessary. Steel cables and nets must be tensioned.	3
9	Inspect equipment for unsafe changes and additions.	Remove unsafe additions and correct unsafe changes.	1
10	Inspect safety surfaces.	Restore and repair where necessary.	1

Remarks

1. If used intensively, all points require extra attention.
2. Extreme weather conditions and locations may require a higher inspection frequency. Discuss this with the supplier.
3. Vandalism-sensitive locations require stricter inspections, possibly daily.
4. Check the terrain regularly for items that do not belong there, are unsafe or may be used wrongly. Examples are poisonous plants, glass shards, etc. Frequency depends on strain.
5. Remember that bad maintenance leads to unsafe conditions and notably faster impoverishment of the playground area.
6. Replacement parts can be ordered at the manufacturer with the part numbers on the module drawing. Drawings can be found in de user guide.
7. The impact area shall be provided with impact attenuating surface according to the specified falling height.
8. This list is conform the CEN-standard "playground equipment and surfacing NEN-EN 1176-7".

TYPE-EXAMINATION CERTIFICATE

Acting under the "Warenwetbesluit Attractie- en Speeltoestellen" issued by Liftinstituut B.V.
commissioned by departmental order, no. VGP/PSL 2857566 from 27 Juni 2008.

Certificate nr. : NL 09-100312660 Revision nr.: -

Description of the product : Duizelzitje schuin, playground equipment carousel with diameter 0.48m

Trademark, type : Boer Speeltoestellen
TOE SOL 030 144

Name and address of the manufacturer : Boer Speeltoestellen
Hyacinthstraat 2
4255 HX Nieuwendijk

Name and address of the certificate holder : Boer Speeltoestellen
Hyacinthstraat 2
4255 HX Nieuwendijk

Certificate issued on the basis of the following requirements : Warenwetbesluit Attractie- en Speeltoestellen,
NEN-EN 1176-1:2008, NEN-EN 1176-5:2008

Test laboratory : None

Date and number of the laboratory report : None

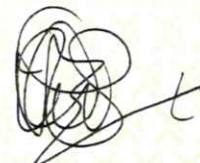
Date of type-examination : 13 October 2008 – 30 March 2009

Annexes with this certificate : Report belonging to the type-examination certificate
nr.: 100312660

Additional remarks : None

Conclusion : The playground equipment meets the requirements of the above specified European standard(s) and "Warenwetbesluit Attractie- en Speeltoestellen" taking into account any additional remarks mentioned above.

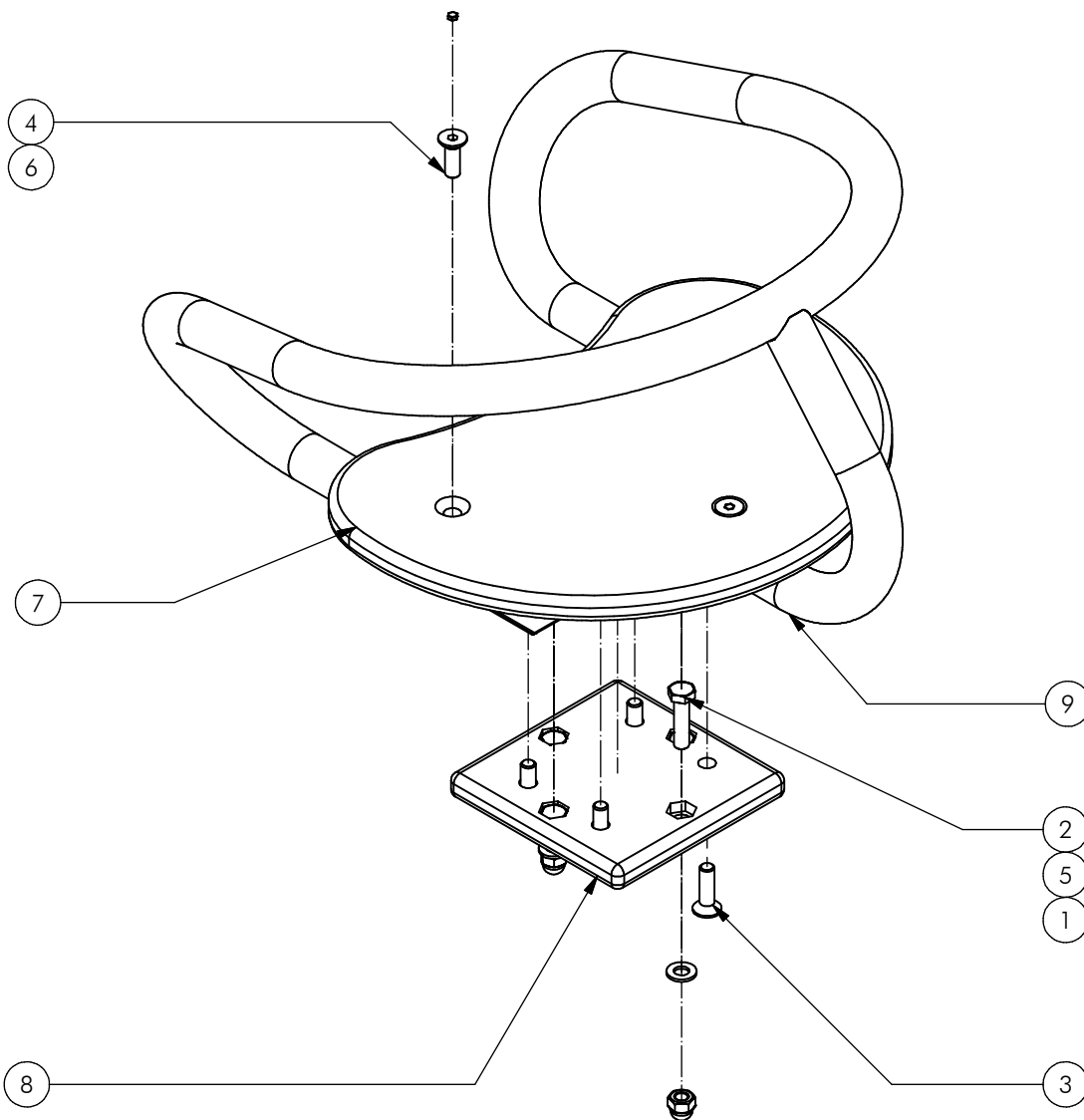
Issued in Amsterdam
Date of issue : 7 April 2009



Ir. V.M.A. Barendregt
LIFTINSTITUUT B.V.
Senior Officer Certification
& Technology



Drs. B. Mulder
LIFTINSTITUUT B.V.
Director Certification &
Inspection International



Nr	#	Type	Progr.	Volgnr	Bew.	Rev.	Benaming	Opmerking
1	4	BSR	011	010	020		DOPMOER	BORG RVS M10
2	4	BSR	021	010	040		Zeskantbout	M10 x 40 - RVS A2-70
3	4	BSR	024	010	035		Verzonken bout	M10 x 35 - RVS A2-70
4	3	BSR	024	010	030		Verzonken bout	M10 x 30 - RVS A2-70
5	4	BSR	030	010	002		SLUITRING	M10
6	3	KST	DOP	006	030		OPVULDOEJE	6 MM ROOD
7	1	OPE	SOL	092	050		Zitting	HMPE
8	1	OPE	SOL	093	050		Koppelplaat	Duizel
9	1	SME	ROT	028	320	A	Frame	Duizelzitje



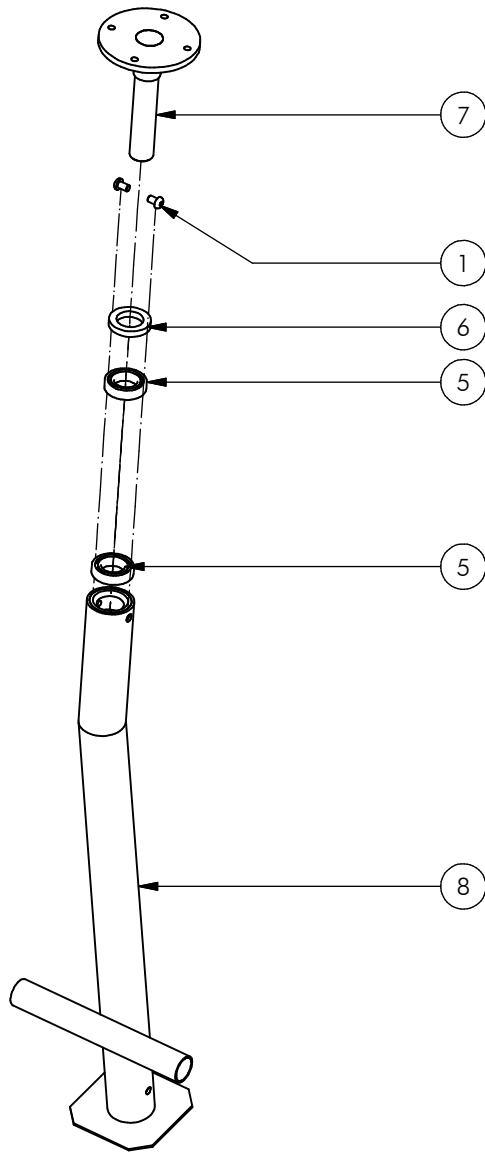
Benaming
Title Draaideel

Opmerking
Comment Duizelzitje

Datum
Date 3-10-2016

Tekening
Drawing

MOD ROT 040 002 A
Samenstelling module Assembly module



Nr	#	Type	Progr.	Volgnr	Bew.	Rev.	Benaming	Opmerking
1	2	BSR	023	010	016		Bolkopbout ISO 7380	M10 x 16 - RVS A2-70
2	1	BSR	041	035	015		Asborgring	35 mm - RVS A2-70
3	1	KST	ROT	013	PA6		Stop	Miniduzel
4	1	KST	ROT	014	PA6		Afstandbus	Miniduzel
5	2	LAG	KOG	035	062		KOGELLAGER	6007 2RS
6	1	OKR	062	040	010		Oliekeerring	60 x 40 x 10
7	1	SME	ROT	044	304	A	As	Miniduzel
8	1	SME	ROT	064	905	A	Basis anker	duizel schuin



Benaming
Title Duizel anker schuin

Opmerking
Comment hoogte 40 cm

Datum
Date 28-11-2016

Tekening
Drawing

MOD ROT 070 006 B
Samenstelling module Assembly module