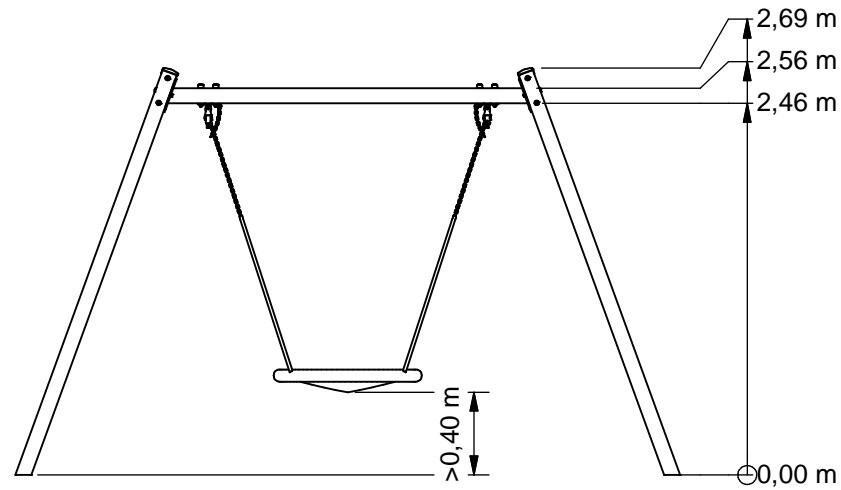
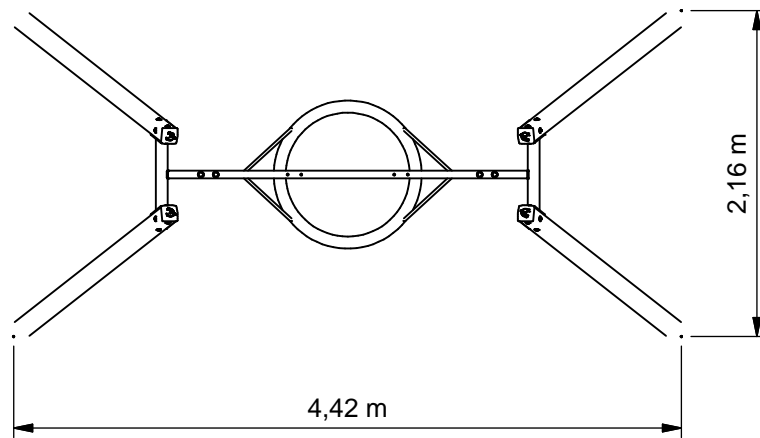


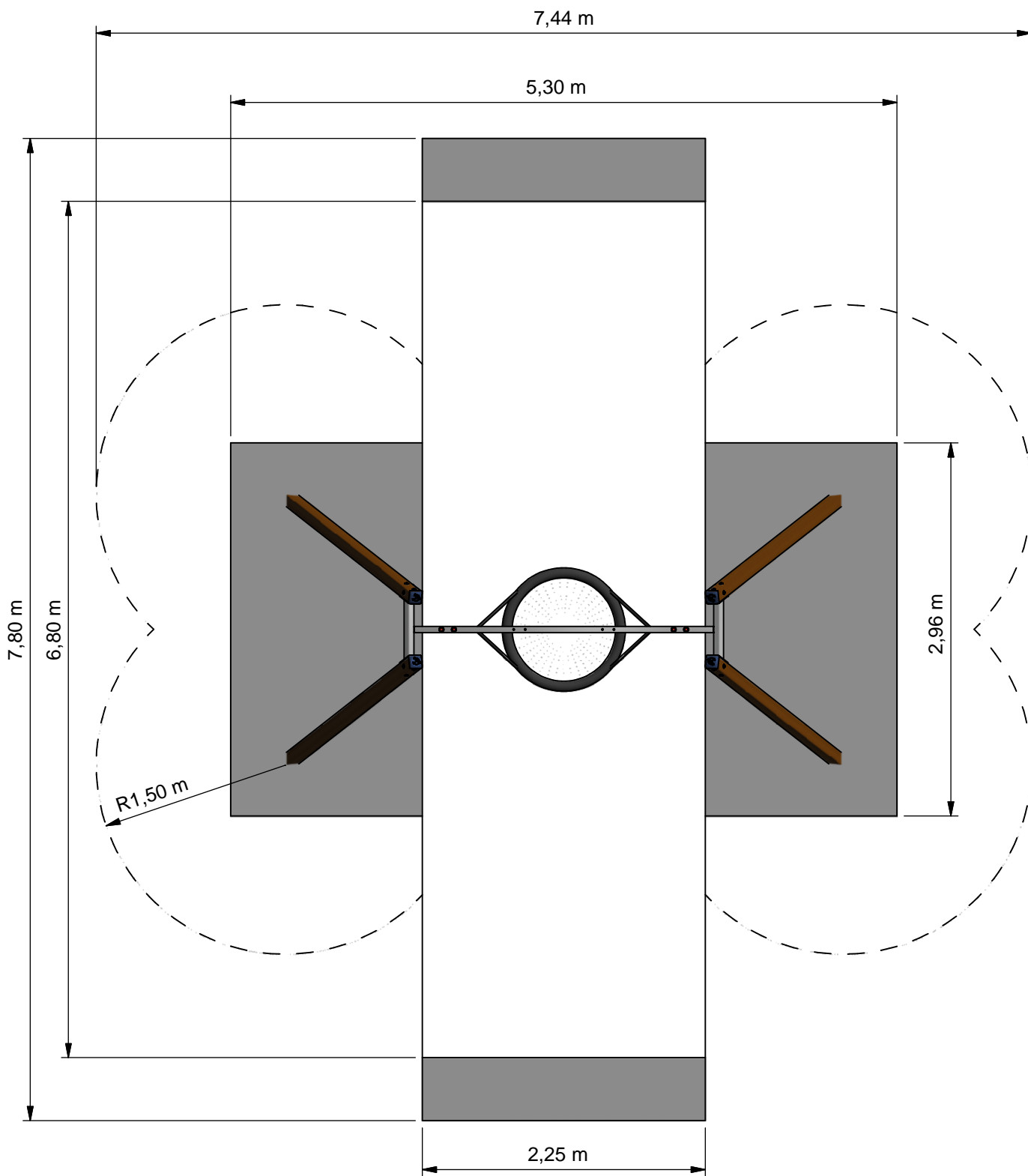


# Bird's nest swing



SOLE030.108





- Obstakelvrij EN-1176**
- Obstacle free EN-1176*
- Opvangzone**
- Impact area*
- Obstakelvrij WAS**
- Obstacle free WAS*



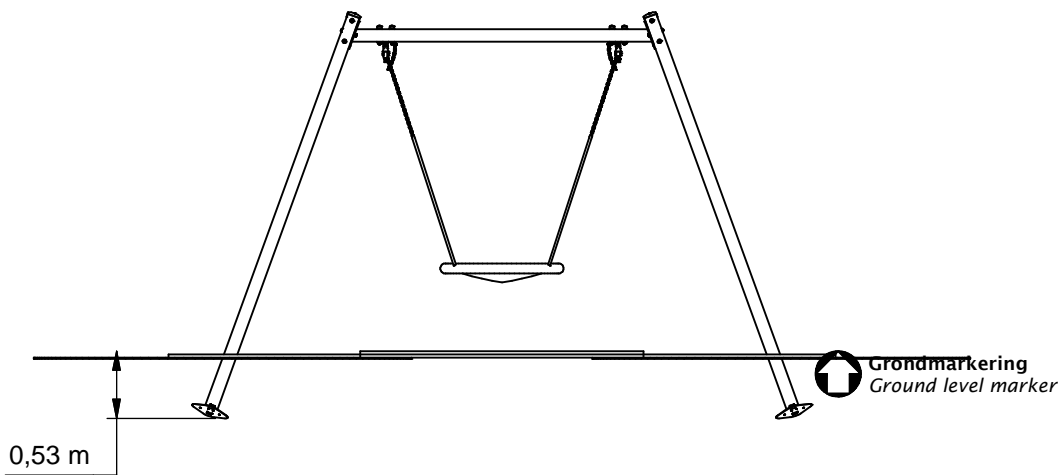
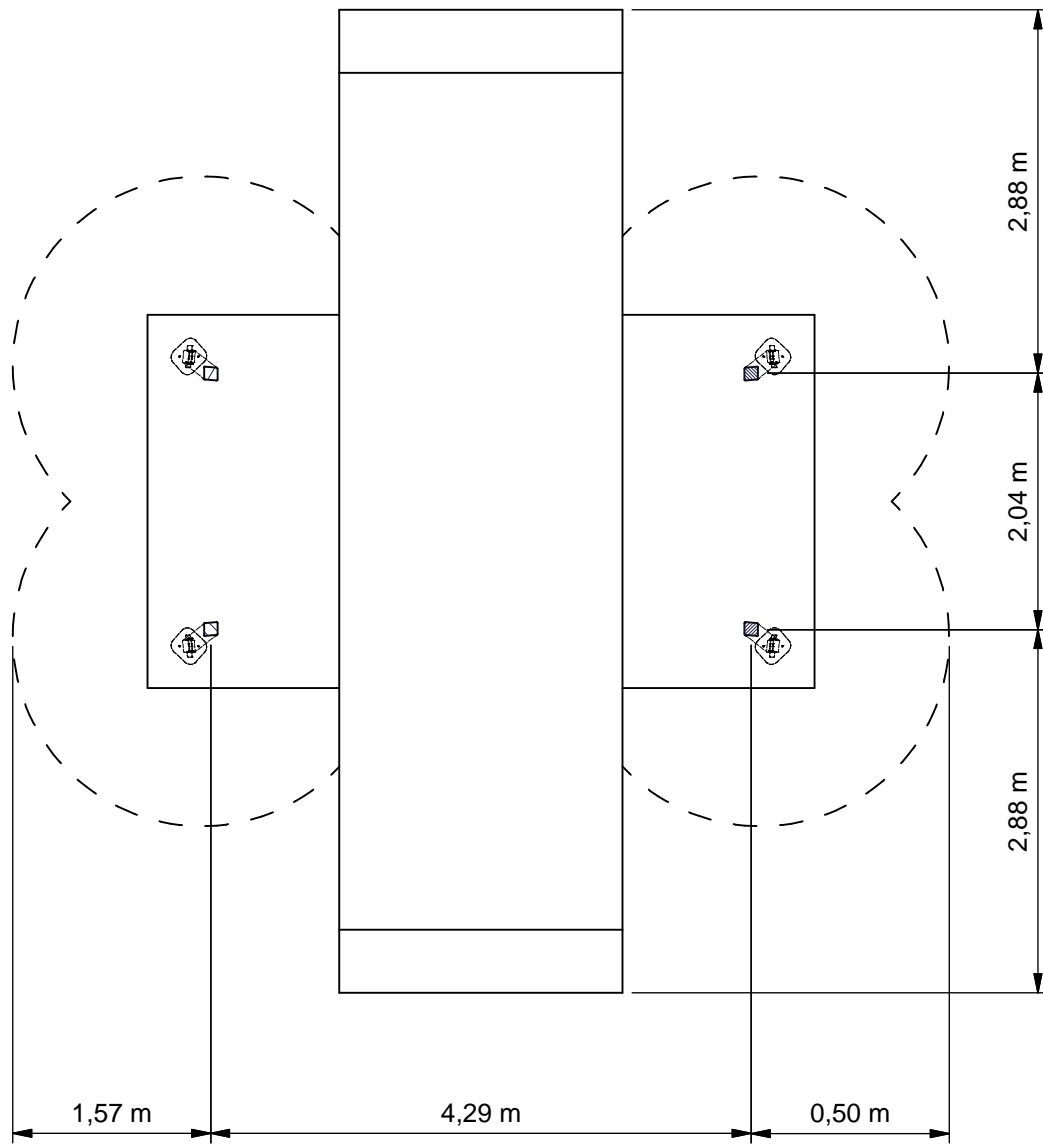
Benaming  
Title | Swoeng

Opmerking  
Comment | Vogelnest 1,0 m

Datum  
Date | 22-12-2014

Tekening  
Drawing

**TOE SOL 030 108 B**  
**Obstakelvrije zone** *Obstacle free zone*



Benaming  
Title Swoeng

Opmerking  
Comment Vogelnest 1,0 m

Datum  
Date 22-12-2014

Tekening  
Drawing

TOE SOL 030 108 B

Bodemplan Groundplan

**Geleverde modules:**

Zie tabel

**Supplied modules:**

See table

**Montageinstructie:**

- De hoofdmaten geven de maten van de staanders en vloeren aan
- De detailtekeningen geven specifiek de maten van de verbindingen aan
- De modules met buizen zijn op de tekeningen bemaat op bovenkant kopplaat
- Overige modules zijn bemaat op de bovenkant (klimwanden, paalkappen, etc.)

**Assembly instruction:**

- The main dimensions indicate the dimensions of the posts and floors
- The detailed dimensions show the specific dimensions of the connections
- The modules which contain tubes are dimensioned at the top of the flanges
- Other modules are dimensioned at the top (climbing walls, caps for the posts, etc.)

**Montagevolgorde:**

- 1 - Graaf de gaten volgens het bodemplan
- 2 - Plaats 1
- 3 - Plaats 2 en verbind deze aan 1
- 4 - Controleer of het toestel voldoet aan de afmetingen zoals op blad 'afmetingen'
- 5 - Dicht de gaten en verdicht het zand

**Assembly sequence:**

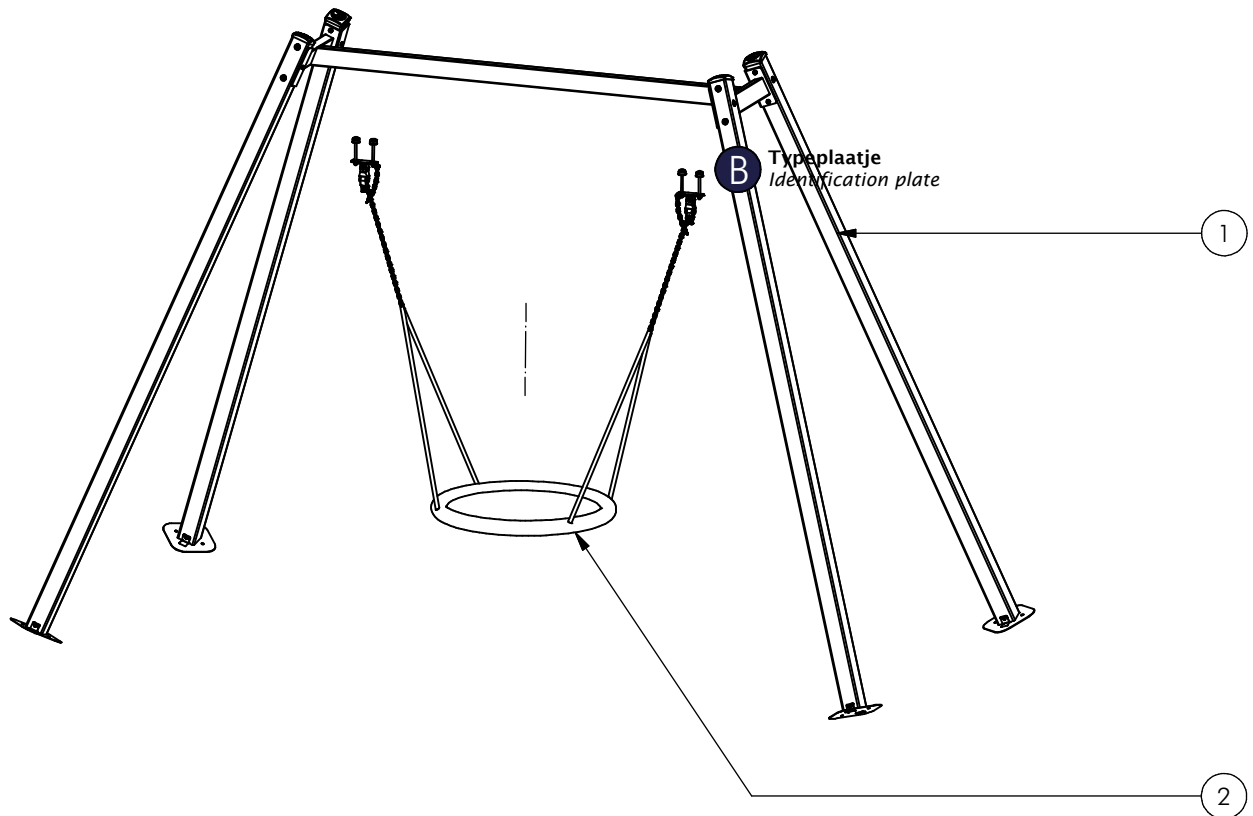
- 1 - Dig the holes according to the ground plan
- 2 - Place 1
- 3 - Place 2 and attach it to 1
- 4 - Check that the equipment conforms to the dimensions shown on sheet 'dimensions'
- 5 - Close the holes and compact the sand

**Controles:**

- 1 - Correcte opbouw en alle bevestigingsmiddelen
- 2 - Controleer de afmetingen van de valbodem t.o.v. het toestel

**Checks:**

- 1 - Correct assembly and all the fasteners
- 2 - Check the dimensions of the safety area with regard to the play equipment



Nr	#	Type	Progr.	Volgnr	Bew.	Rev.	Benaming	Opmerking
1	1	MOD	SOL	030	362	C	SCHOMMELFRAME	SWOENG DUBBEL
2	1	MOD	SOL	030	380	A	Vogelnest 1,0 m	Schommelzitje



Benaming  
Title | Swoeng

Opmerking  
Comment | Vogelnest 1,0 m

Datum  
Date | 22-12-2014

Tekening  
Drawing

TOE SOL 030 108 B

Modules Modules

# SOLE030.108

Bird's nest swing

## LOGBOOK

(Onderstaand logboek kan gebruikt worden om te voldoen aan de eisen, gesteld in artikel 14 van het Warenwetbesluit Attractie- en Speeltoestellen)

Type indication	Nature Play
Product code	SOLE030.108
Name of equipment	Vogelnestschommel hardhout
Maximum height of fall	1,5 m
Year of construction	2017
Certificate	09200116202
inspection authority	Liftinstituut B.V. Buikslotermeerplein 381, A'dam - 1025 XE Amsterdam
Name manufacturer	BOERplay Hyacintstraat 2 - 4255 HX Nieuwendijk Phone: +31 (0)183 40 23 66 Fax: +31 (0)183 40 35 64
name installer	_____ _____
Description of equipment	Bird's nest swing
Location of equipment	_____
Data about the owner of the play equipment	
Name:	_____
Address:	_____
Postcode and town:	_____
Contact person:	_____
Telephone number:	_____
Data about the administrator of the play equipment	
Name:	_____
Address:	_____
Postcode and town:	_____
Contact person:	_____
Telephone number:	_____

# LOGBOOK

## Inspection and maintenance intervals



Nr.	Inspection	Maintenance	months between inspections
1	Verify equipment's stability, junctions and missing parts. Inspect bolts, screws and nuts for absence, jams, corrosion and wear.	Add missing parts, secure joints, apply missing fixing agent and replace corroded parts.	1
2	Check suspension for wear.	Replace worn parts and/or remove non-functioning parts.	1
3	Inspect rotating parts such as hinges, rolling-element bearings, etc. for wear and acceptability.	Replace worn parts and/or remove non-functioning parts.	1
4	Check wood for splinters, unacceptable damage and signs of rot. Especially at ground level.	Repair damage. Replace affected wood. Smoothen splintered wood and sharp edges.	1
5	Inspect foundation for stability, tearing and coverage.	Restore foundation and covering material.	3
6	Examine rubber and synthetic parts for wear, damage and break.	Replace original parts.	3
7	Inspect metal for corrosion and damage in the coating.	Restore any damaged coating (after removing rust and applying primer).	6
8	Check ropes, cables, chains and nets for wear and damage. Steel cables and nets which are tensioned must be checked for tension.	Replace parts where necessary. Steel cables and nets must be tensioned.	3
9	Inspect equipment for unsafe changes and additions.	Remove unsafe additions and correct unsafe changes.	1
10	Inspect safety surfaces.	Restore and repair where necessary.	1

## Remarks

1. If used intensively, all points require extra attention.
2. Extreme weather conditions and locations may require a higher inspection frequency. Discuss this with the supplier.
3. Vandalism-sensitive locations require stricter inspections, possibly daily.
4. Check the terrain regularly for items that do not belong there, are unsafe or may be used wrongly. Examples are poisonous plants, glass shards, etc. Frequency depends on strain.
5. Remember that bad maintenance leads to unsafe conditions and notably faster impoverishment of the playground area.
6. Replacement parts can be ordered at the manufacturer with the part numbers on the module drawing. Drawings can be found in de user guide.
7. The impact area shall be provided with impact attenuating surface according to the specified falling height.
8. This list is conform the CEN-standard "playground equipment and surfacing NEN-EN 1176-7".

# TYPE-EXAMINATION CERTIFICATE

Acting under the "Warenwetbesluit Attractie- en Speeltoestellen" issued by Liftinstituut B.V.  
commissioned by departmental order, no. VGP/PSL 2857566 from 27 Juni 2008.

Certificate nr. : NL 09-100316202 Revision nr.: 1

Description of the product : Swoeng, playground equipment swing in hardwood or INOX

Trademark, type : Boer Speeltoestellen  
TOE SOL 030 016 TOE SOL 030 018  
TOE SOL 030 019 TOE SOL 030 022  
TOE SOL 030 106 TOE SOL 030 108

Name and address of the manufacturer : Boer Speeltoestellen  
Hyacinthstraat 2  
4255 HX Nieuwendijk

Name and address of the certificate holder : Boer Speeltoestellen  
Hyacinthstraat 2  
4255 HX Nieuwendijk

Certificate issued on the basis of the following requirements : Warenwetbesluit Attractie- en Speeltoestellen,  
NEN-EN 1176-1:2008, NEN-EN 1176-2:2008

Test laboratory : None

Date and number of the laboratory report : None

Date of type-examination : 2 June 2009 - 15 June 2009

Annexes with this certificate : Report belonging to the type-examination certificate  
nr.: 200116202

Additional remarks : None

Conclusion : The playground equipment meets the requirements of the above  
specified European standard(s) and "Warenwetbesluit Attractie-  
en Speeltoestellen" taking into account any additional remarks  
mentioned above.

Issued in Amsterdam  
Date of issue : 16 June 2009

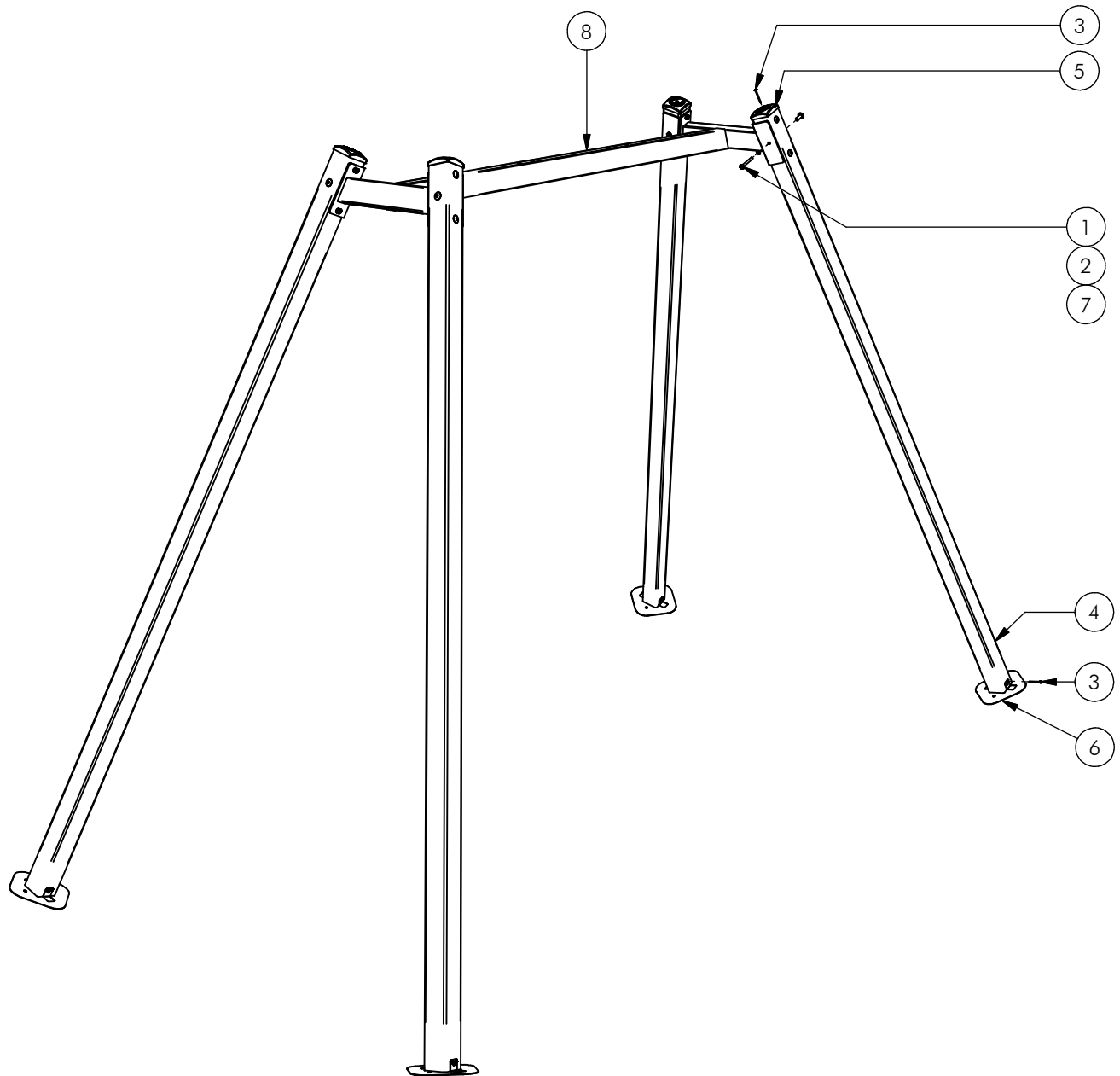


Ir. V.M.A. Barendregt  
LIFTINSTITUUT B.V.  
Senior Officer Certification  
& Technology



Drs. B. Mulder  
LIFTINSTITUUT B.V.  
Director Certification &  
Inspection International





Nr	#	Type	Progr.	Volgnr	Bew.	Rev.	Benaming	Opmerking
1	12	BSR	021	010	090		Zeskantbout	M10 x 90 - RVS A2-70
2	12	BSR	030	010	002		SLUITRING	M10
3	20	BSV	004	005	070		Schroef verz.	5 x 70 - VZ 8.8
4	4	OHO	SOL	070	HHT		STAANDER	SCHOMMEL HHT
5	4	OME	KAP	100	ZMK		PAALKAP 100	Zamak, RAL 5003
6	4	OME	VRB	903	VZP	C	Voetplaat	100 x 100
7	12	RNT	BUS	M10	040		DRAADBUS	M10 x 40
8	1	SME	SOL	250	320	A	Schommelbalk	Swoeng Dubbel



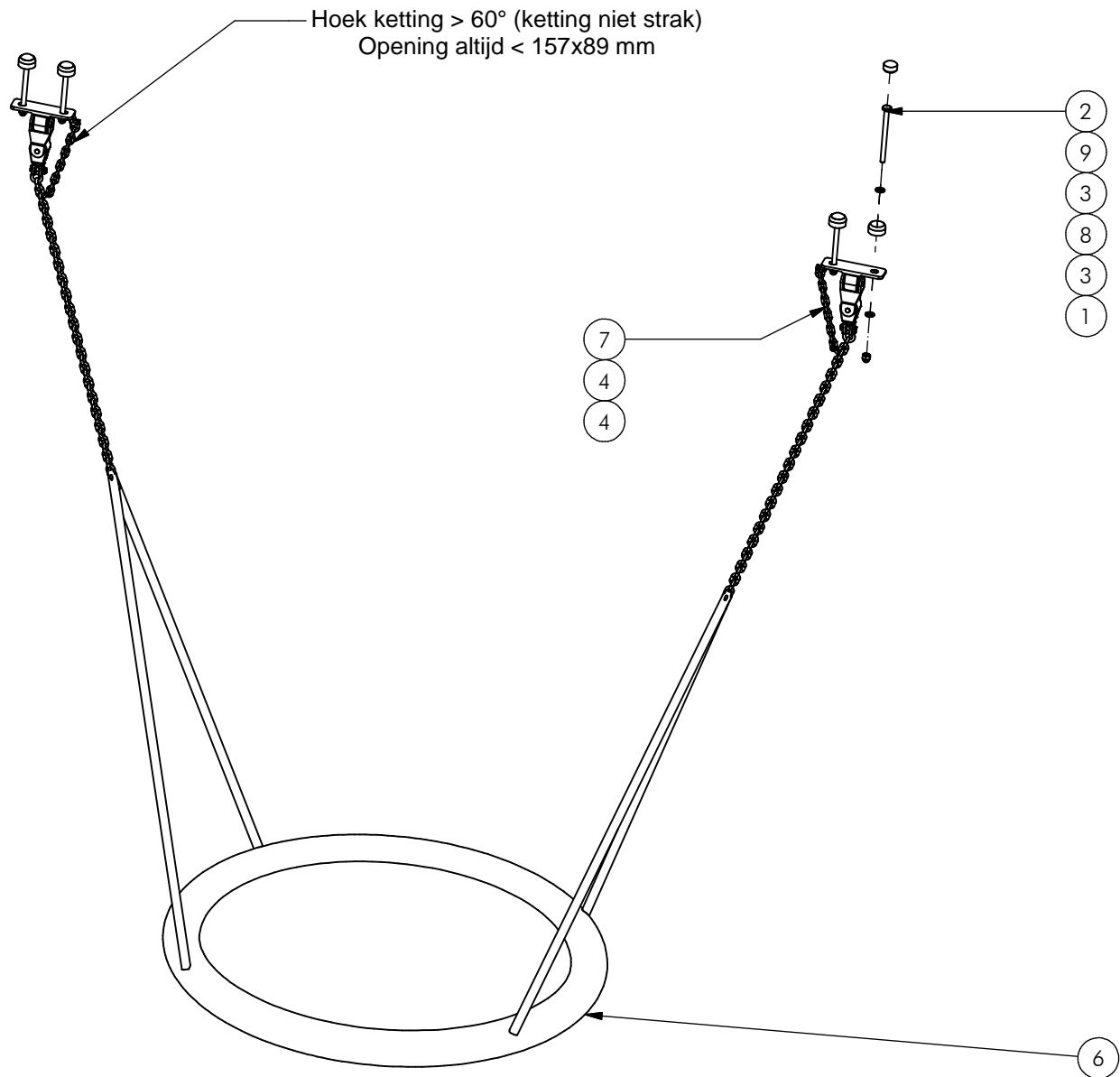
Benaming  
Title | SCHOMMELFRAME

Opmerking  
Comment | SWOENG DUBBEL

Datum  
Date | 5-9-2016

Tekening  
Drawing

**MOD SOL 030 362 C**  
 Samenstelling module Assembly module



Nr	#	Type	Progr.	Volgnr	Bew.	Rev.	Benaming	Opmerking
1	4	BSR	011	010	020		DOPMOER	BORG RVS M10
2	4	BSR	021	010	130		Zeskantbout	M10 x 130 - RVS A2-70
3	8	BSR	030	010	002		SLUITRING	M10
4	4	BSR	031	005	000		D-Sluiting	5 mm, RVS A2-70
5	2	BSR	081	012	092		Scharnier dubbel NORMAAL	RVS A2-70
6	1	DRD	NST	001	100		Vogelnest Ø1,0 m	balk 2,5 m
7	2	KET	005	002	018		RVS ketting 5mm	0,18 m lang
8	4	KST	DON	010	060		Beschermkop M10-M12	Donut zwart
9	4	KST	DOP	010	060		Beschermkop M10-M12	Dop zwart



Benaming  
Title Vogelnest Schommelzit

Opmerking  
Comment Nest Ø1,0m Ketting 2,0 m

Datum  
Date 24-2-2017

Tekening  
Drawing

**MOD SOL 030 549 A**  
Samenstelling module Assembly module