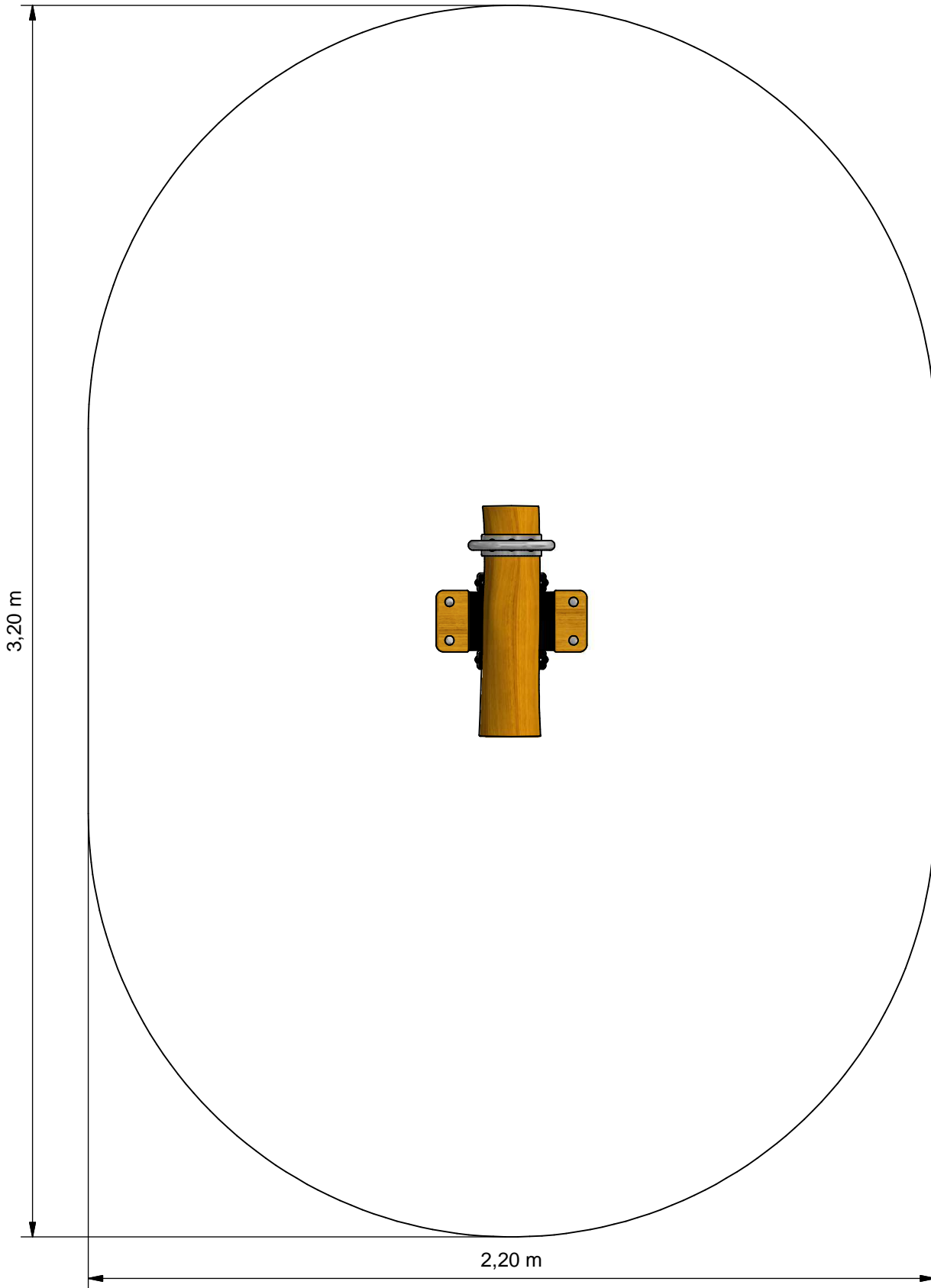




SpringerBull



PSTE000.144



- Opvangzone**
Impact area
- Obstakelvrije zone**
Obstacle free zone



Benaming
Title: Veerwip Stier

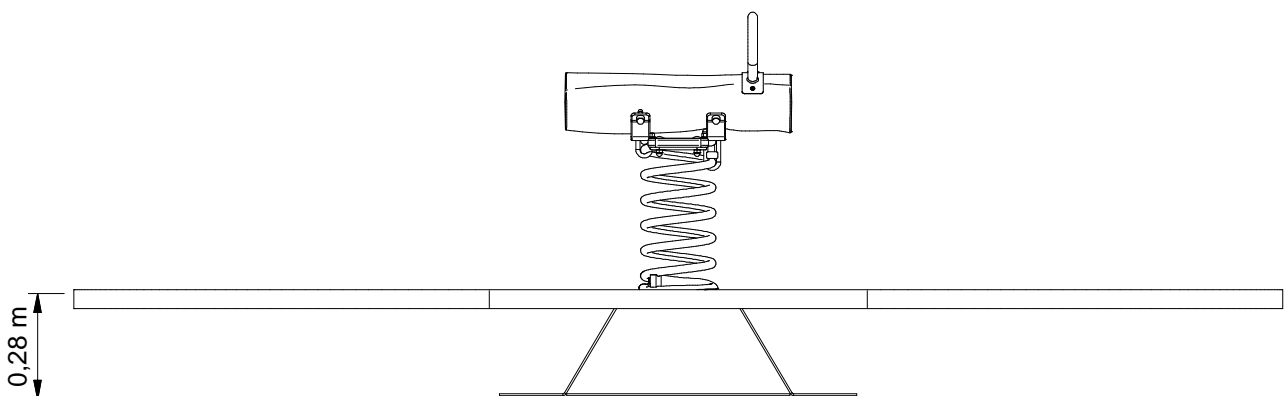
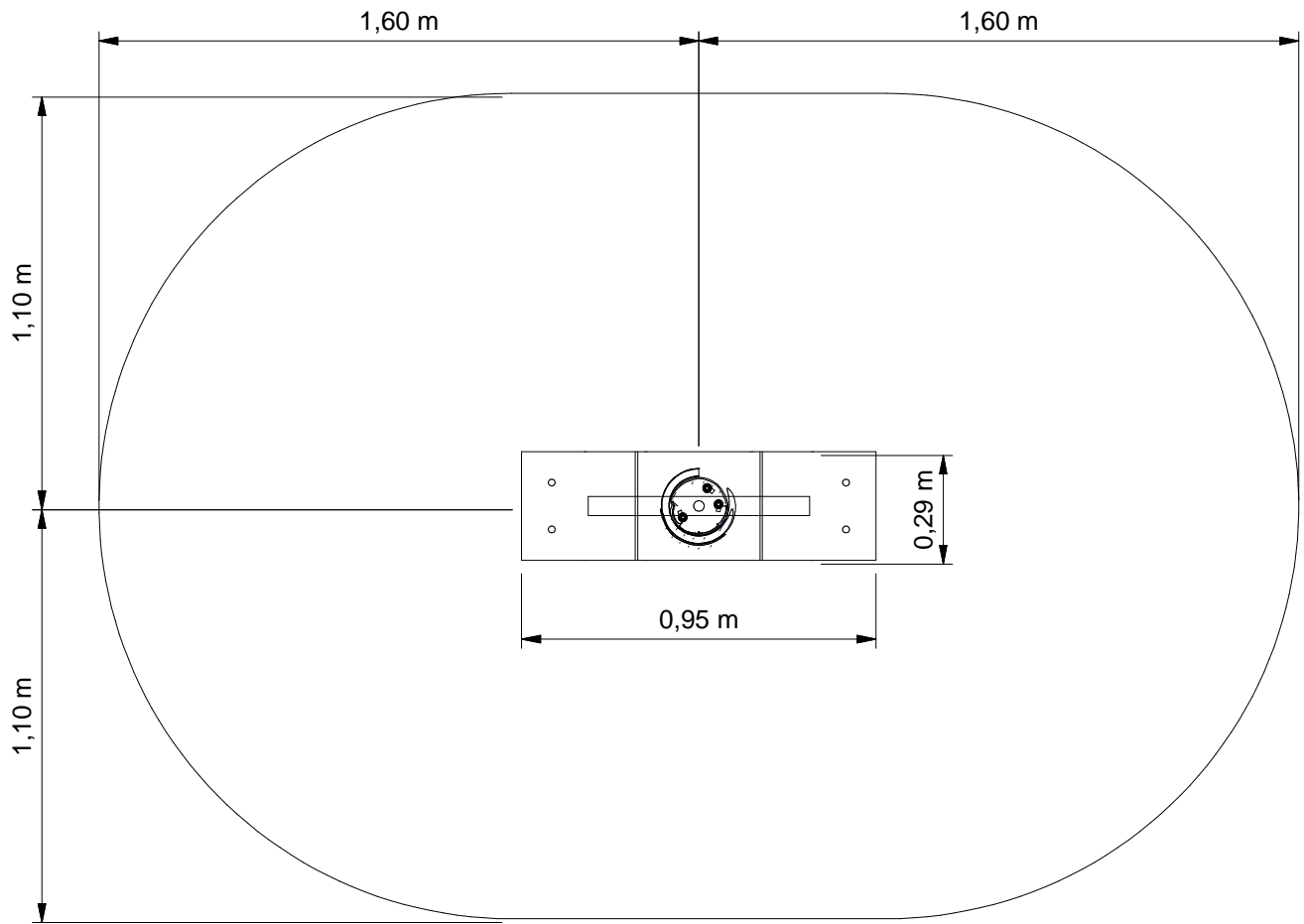
Opmerking
Comment: Adventure Play

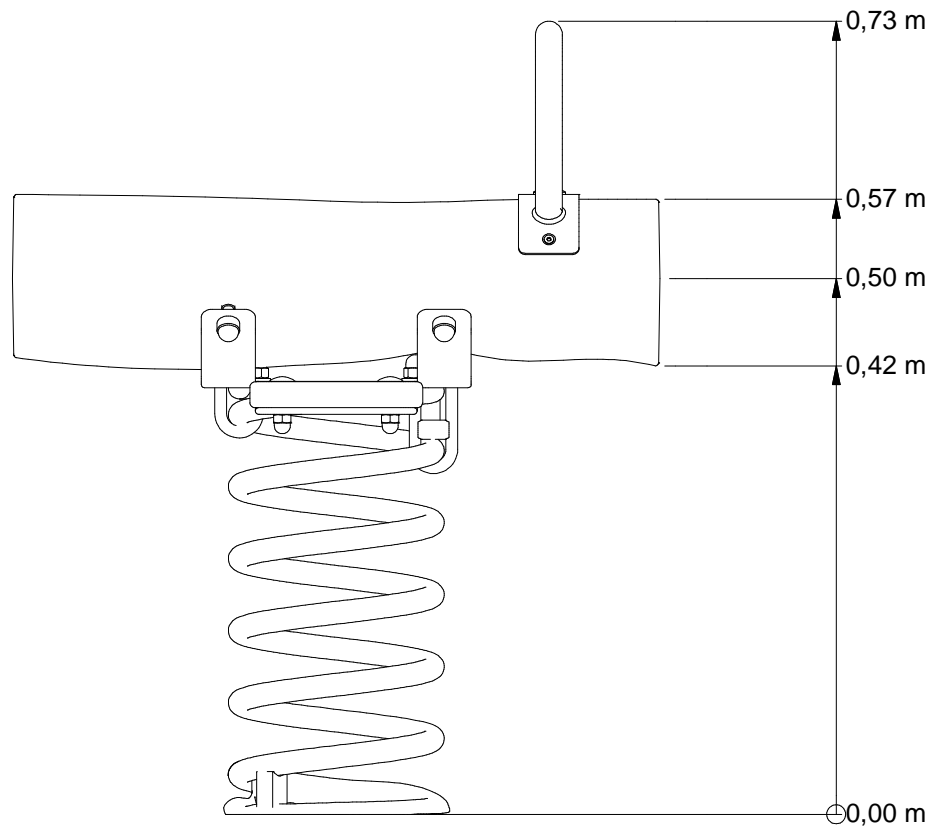
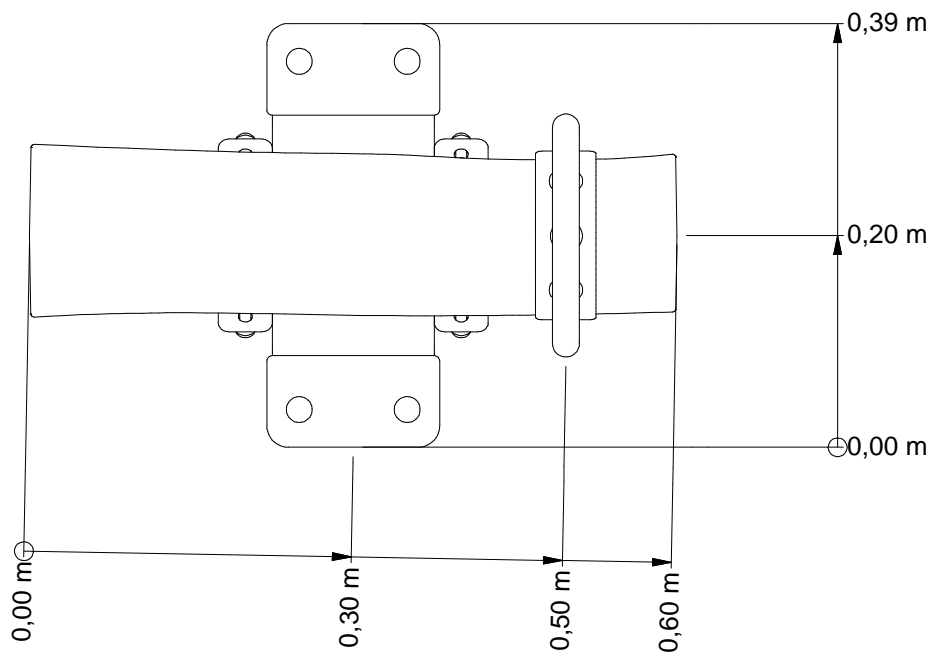
Datum
Date: 7-11-2011

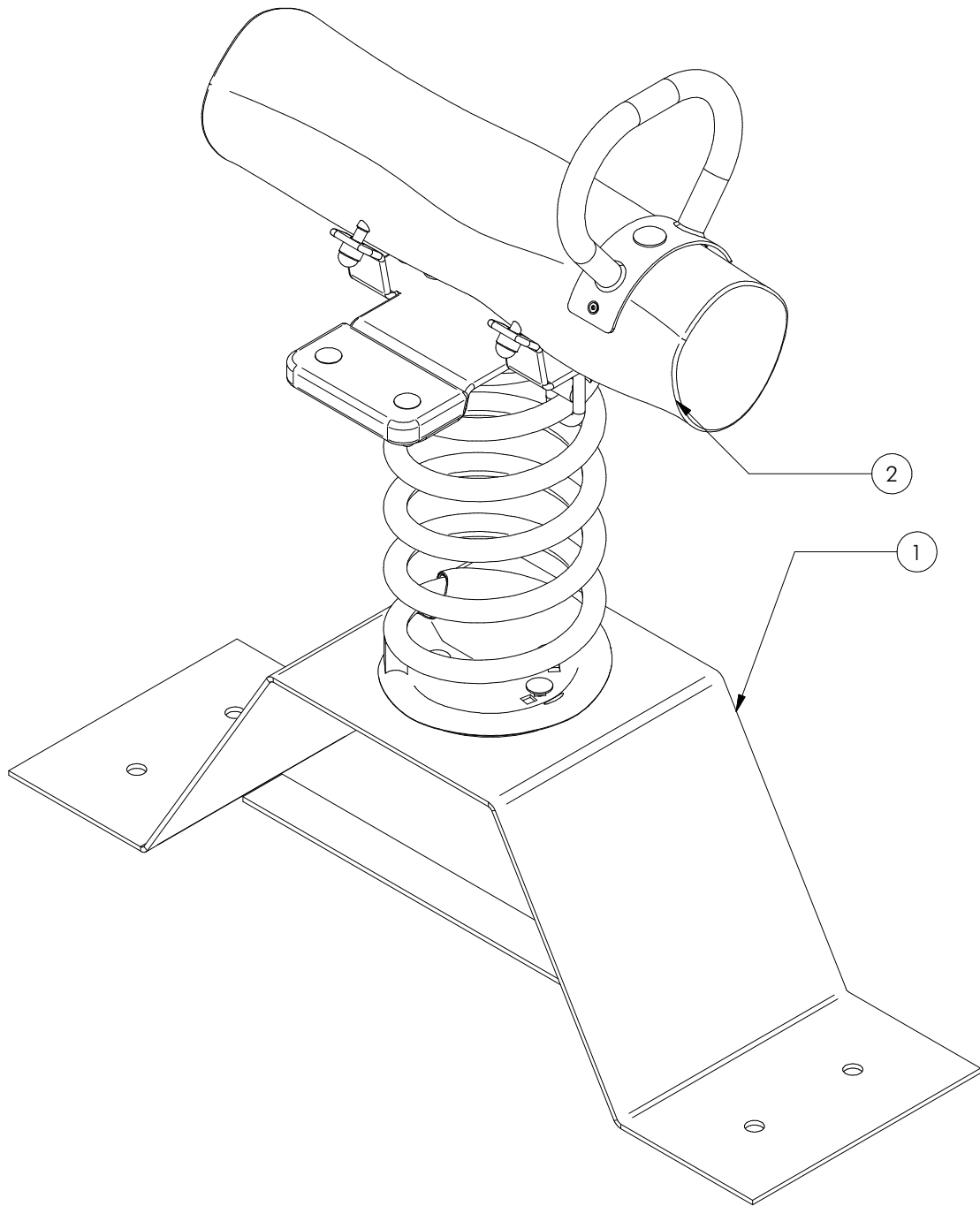
Tekening
Drawing

TOE PST 000 144

Obstakelvrije zone *Obstacle free zone*







Nr	#	Type	Progr.	Volgnr	Bew.	Rev.	Benaming	Opmerking
1	1	MOD	PST	006	029		Veerstier	Onderstel
2	1	MOD	PST	006	030	A	Veerwipje	Adventure Play



Benaming
Title: Veerwip Stier

Opmerking
Comment: Adventure Play

Datum
Date: 7-11-2011

Tekening
Drawing

TOE PST 000 144

Modules Modules

Geleverde delen:

A - veerelement met onderstel

Bevestiging sets:

1 - n.v.t.

Montagevolgorde:

- 1 - graaf het gat volgens het bodemplan en plaats hierin het toestel
- 2 - controleer of het toestel voldoet aan de afmetingen zoals op blad 'afmetingen'
- 3 - dicht de gaten en verdicht het zand

Controles:

- 1 - correcte opbouw en alle bevestigingsmiddelen
- 2 - controleer de afmetingen van de valbodem t.o.v. het toestel

Supplied parts:

A - rocking-element with support

Mounting kits:

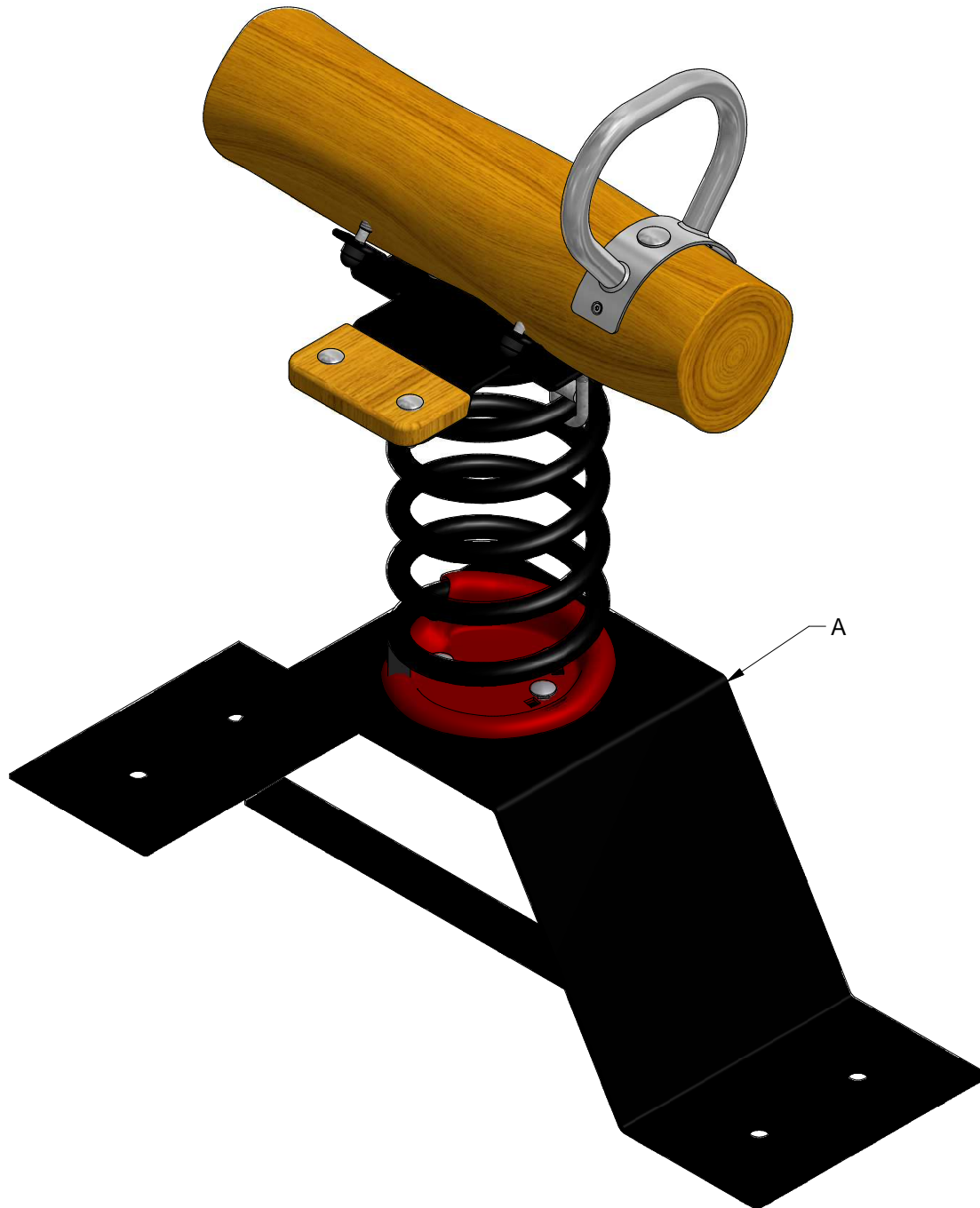
1 - n.a.

Assembly sequence:

- 1 - dig the hole according to the ground plan and place the play equipment
- 2 - check that the equipment conforms to the dimensions shown on sheet 'dimensions'
- 3 - close the holes and compact the sand

Checks:

- 1 - correct assembly and all the fasteners
- 2 - check the dimensions of the safety area compared to the play equipment



PSTE000.144

SpringerBull

LOGBOOK

(Onderstaand logboek kan gebruikt worden om te voldoen aan de eisen, gesteld in artikel 14 van het Warenwetbesluit Attractie- en Speeltoestellen)

Type indication	Adventure Play
Product code	PSTE000.144
Name of equipment	Veerwip Stier
Maximum height of fall	0,6 m
Year of construction	2017
Certificate	031074
inspection authority	TUV Nederland QA BV De Waal 21c, Best - 5684 PH Best
Name manufacturer	BOERplay Hyacintstraat 2 - 4255 HX Nieuwendijk Phone: +31 (0)183 40 23 66 Fax: +31 (0)183 40 35 64
name installer	_____ _____
Description of equipment	SpringerBull
Location of equipment	_____
Data about the owner of the play equipment	
Name:	_____
Address:	_____
Postcode and town:	_____
Contact person:	_____
Telephone number:	_____
Data about the administrator of the play equipment	
Name:	_____
Address:	_____
Postcode and town:	_____
Contact person:	_____
Telephone number:	_____

LOGBOOK

Inspection and maintenance intervals



Nr.	Inspection	Maintenance	months between inspections
1	Verify equipment's stability, junctions and missing parts. Inspect bolts, screws and nuts for absence, jams, corrosion and wear.	Add missing parts, secure joints, apply missing fixing agent and replace corroded parts.	1
2	Check suspension for wear.	Replace worn parts and/or remove non-functioning parts.	1
3	Inspect rotating parts such as hinges, rolling-element bearings, etc. for wear and acceptability.	Replace worn parts and/or remove non-functioning parts.	1
4	Check wood for splinters, unacceptable damage and signs of rot. Especially at ground level.	Repair damage. Replace affected wood. Smoothen splintered wood and sharp edges.	1
5	Inspect foundation for stability, tearing and coverage.	Restore foundation and covering material.	3
6	Examine rubber and synthetic parts for wear, damage and break.	Replace original parts.	3
7	Inspect metal for corrosion and damage in the coating.	Restore any damaged coating (after removing rust and applying primer).	6
8	Check ropes, cables, chains and nets for wear and damage. Steel cables and nets which are tensioned must be checked for tension.	Replace parts where necessary. Steel cables and nets must be tensioned.	3
9	Inspect equipment for unsafe changes and additions.	Remove unsafe additions and correct unsafe changes.	1
10	Inspect safety surfaces.	Restore and repair where necessary.	1

Remarks

1. If used intensively, all points require extra attention.
2. Extreme weather conditions and locations may require a higher inspection frequency. Discuss this with the supplier.
3. Vandalism-sensitive locations require stricter inspections, possibly daily.
4. Check the terrain regularly for items that do not belong there, are unsafe or may be used wrongly. Examples are poisonous plants, glass shards, etc. Frequency depends on strain.
5. Remember that bad maintenance leads to unsafe conditions and notably faster impoverishment of the playground area.
6. Replacement parts can be ordered at the manufacturer with the part numbers on the module drawing. Drawings can be found in de user guide.
7. The impact area shall be provided with impact attenuating surface according to the specified falling height.
8. This list is conform the CEN-standard "playground equipment and surfacing NEN-EN 1176-7".

Warenwet

Certificaat van Typeonderzoek Type Examination Certificate


afgegeven door issued by

TÜV Nederland QA BV



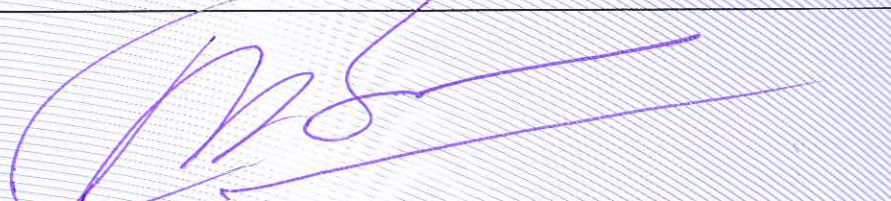
aangewezen bij ministeriële beschikking van
4 mei 2012, nr. VGP 3113590

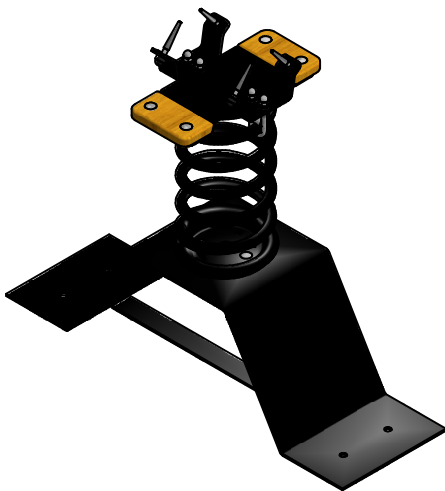
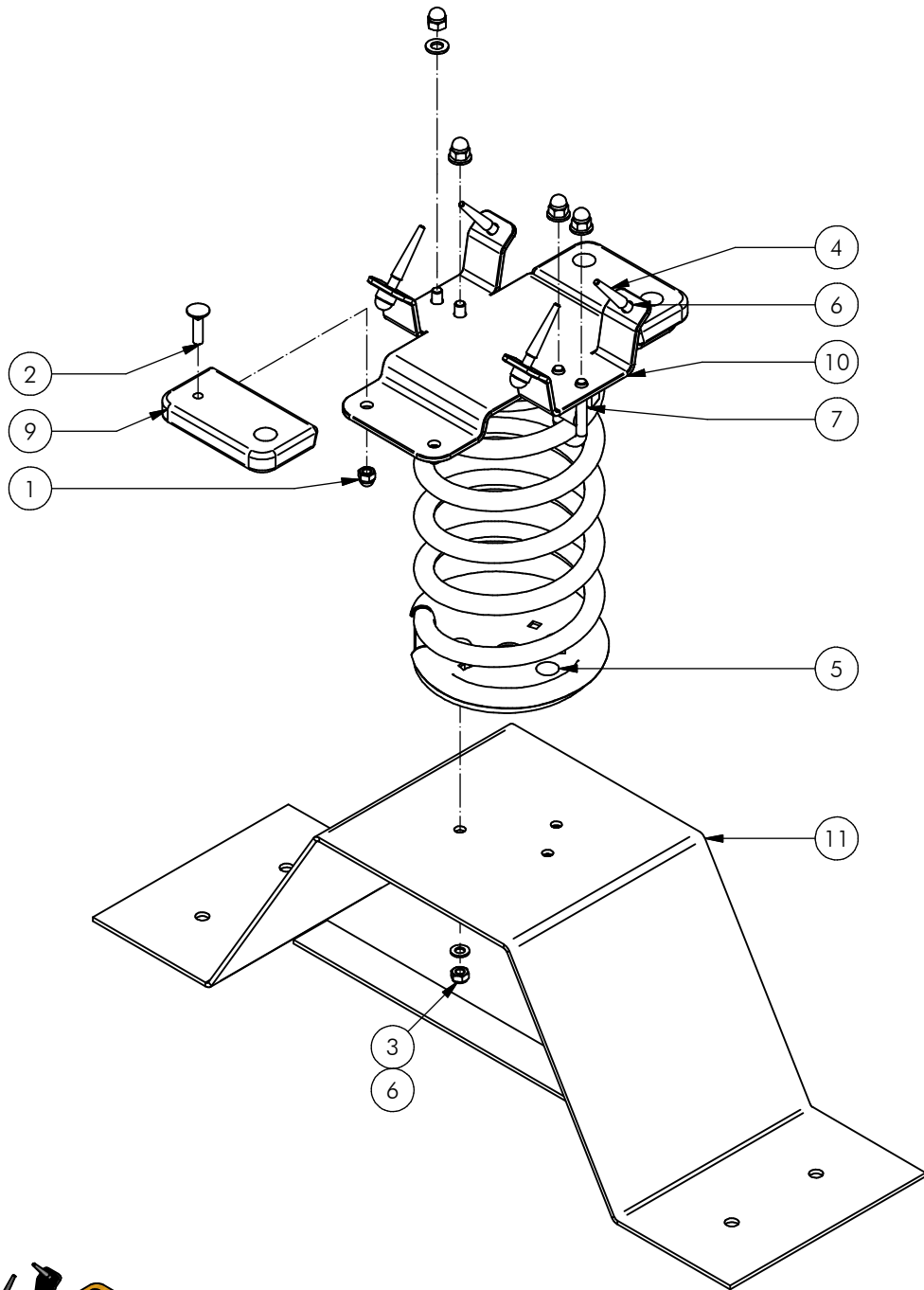
commissioned by departmental order
of 4 May 2012, no. VGP 3113590

Certificaat nr. Certificate nr.	031074TF_20121219	Dossiernr. File nr.	031074TF
Productomschrijving Product description	Veerwip "Stier"		
Evt. nadere aanduidingen Further indications	PST.000.144		
voor nadere informatie zie bijbehorend rapport met gelijkloidend dossiernr. for further information see associated report with identical file nr.			
Eigenaar / certificaathouder en adres Owner/certificate holder and address	Boer Speeltoestellen B.V. Hyacintstraat 2 4255 HX NIEUWENDIJK		
Soort toestel Category of equipment	Speeltoestel / Playground equipment		
Fabrikant Manufacturer	Boer Speeltoestellen B.V. Hyacintstraat 2 4255 HX NIEUWENDIJK		
Type/Serienummer Type/Serial number	PST.000.144 /	in te vullen door de fabrikant to be filled out by the manufacturer	
Jaar van fabricage Year of construction	vanaf 2012 since		
Leverancier Supplier	Boer Speeltoestellen B.V. Hyacintstraat 2 4255 HX NIEUWENDIJK		
Jaar van levering Year of supply	in te vullen door de leverancier to be filled out by the supplier		
Datum keuring Date of examination	11-07-2012 – 19-12-2012		

TÜV Nederland QA BV, de Waal 21C, NL-5684 PH Best verklaart, dat het bovenaangehaalde toestel voldoet aan de vervaardigingvoorschriften genoemd in het Warenwetbesluit attractie- en speeltoestellen (met als leidraad de normatieve documenten NEN-EN 1176:2008).

TÜV Nederland QA BV declares that the here above mentioned equipment meets the safety and health requirements mentioned in the Dutch law "Warenwetbesluit attractie- en speeltoestellen" (guided by normative documents EN 1176:2008).

Namens het bestuur, For the board, A.C. Boon Directeur	
---	--



Nr	#	Type	Progr.	Volgnr	Bew.	Rev.	Benaming	Opmerking
1	4	BSR	011	010	020		Borgdopmoer	M10 - RVS A2-70
2	4	BSR	026	010	040		Slotbout	M10 x 40 - RVS A2-70
3	3	BSV	010	010	010		Borgmoer	M10 - VZ 8.8
4	4	BSV	022	010	080		Houtdraadbout	M10 X 80 - VZ 8.8
5	3	BSV	026	010	035		Slotbout	M10 x 35 - VZ 8.8
6	7	BSV	030	010	002		Sluitring	M10 - VZ 8.8
7	1	DRD	ELB	020	003		Veer 40 cm	Schotel en U-bouten
8	4	KST	DOP	010	021		Afdekdop zeskantbout	M10 zwart
9	2	OHO	PST	310	001		Voetsteun	Veelement
10	1	OME	PST	047	372	A	Veerplaat	met voetsteun
11	1	SME	MNP	016	372		grondanker	veerwip



Benaming
Title: Veerstier

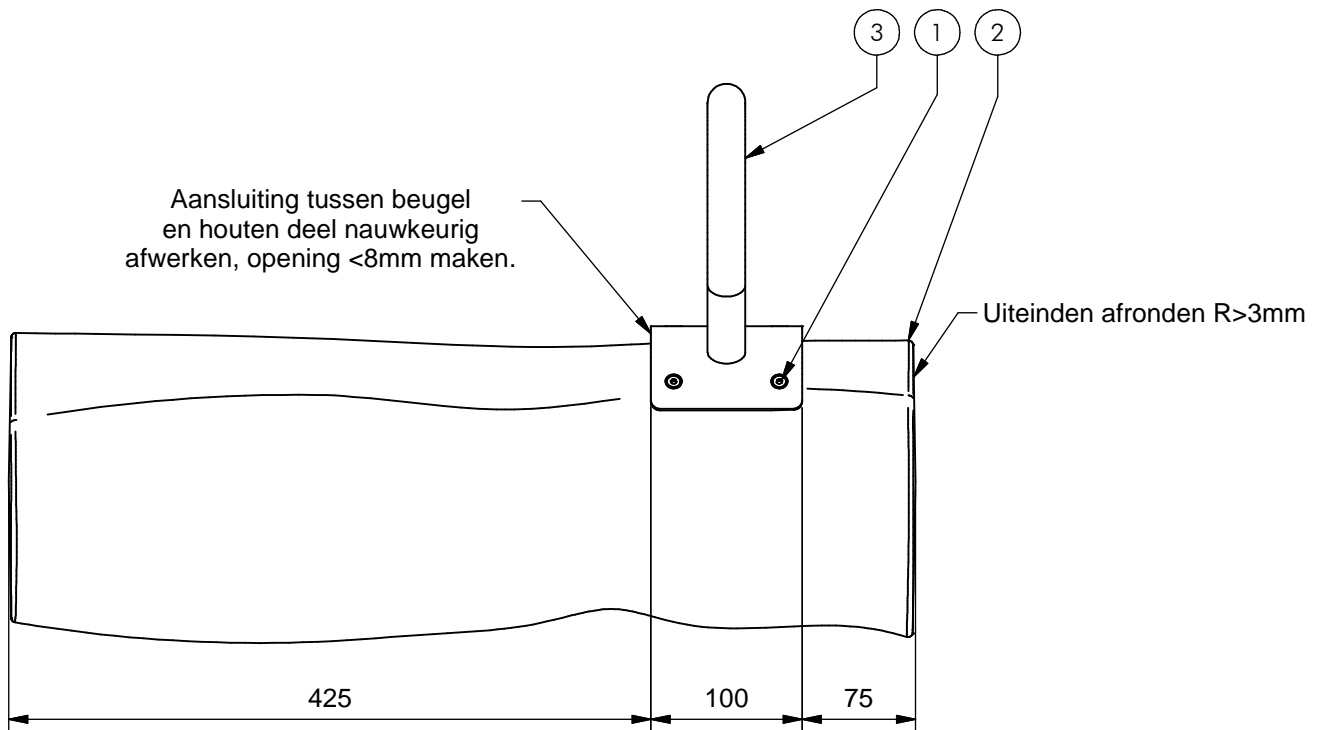
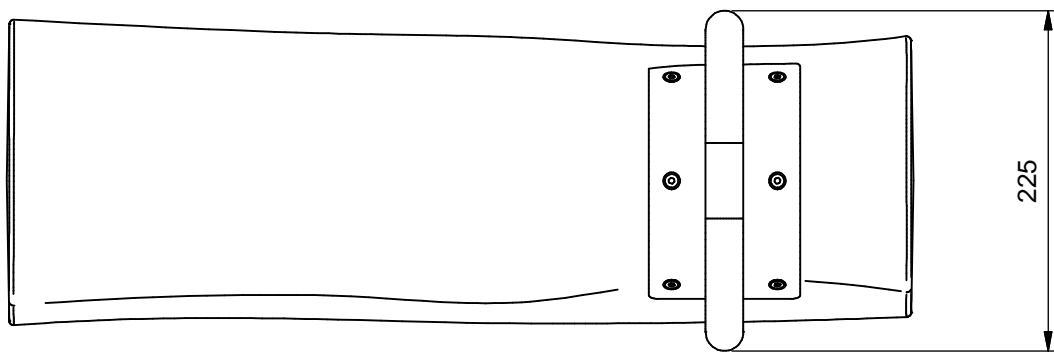
Opmerking
Comment: Onderstel

Datum
Date: 6-3-2012

Tekening
Drawing

MOD PST 006 029

Samenstelling module Assembly module



Nr	#	Type	Progr.	Volgnr	Bew.	Rev.	Benaming	Opmerking
1	6	BSR	002	005	030		Schroef Assy	5 x 30 - RVS A2-70
2	1	OHO	PST	200	006		Paal 18-20	Lengte =600
3	1	SME	PST	053	320		Handgreep	R & T



Benaming / Title: Veerwipje
 Opmerking / Comment: Playstory
 Datum / Date: 18-8-2011

Tekening / Drawing

MOD PST 006 030

Samenstelling module Assembly module