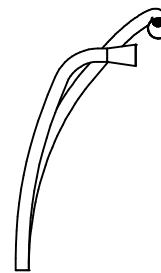
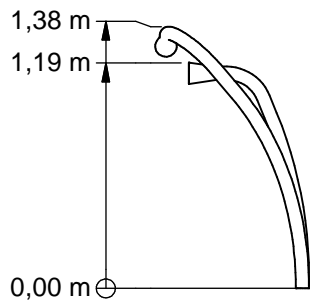
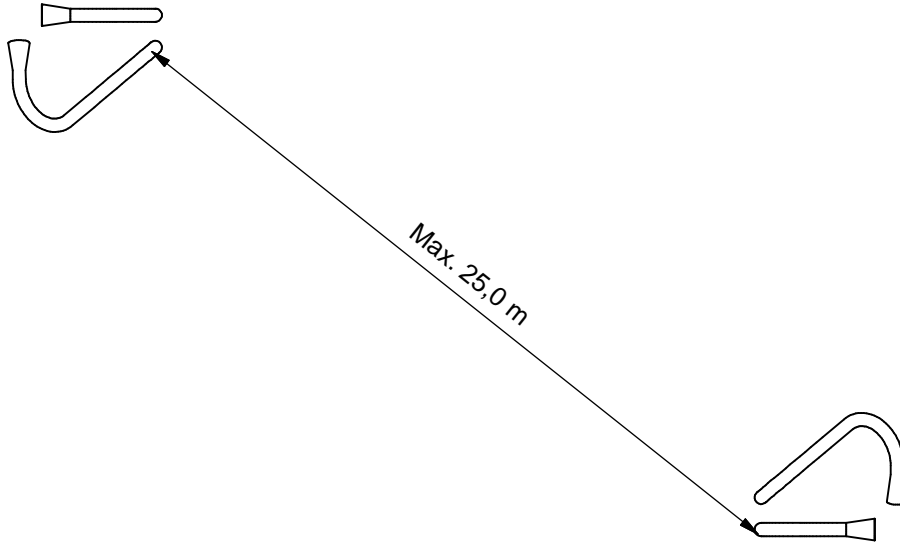


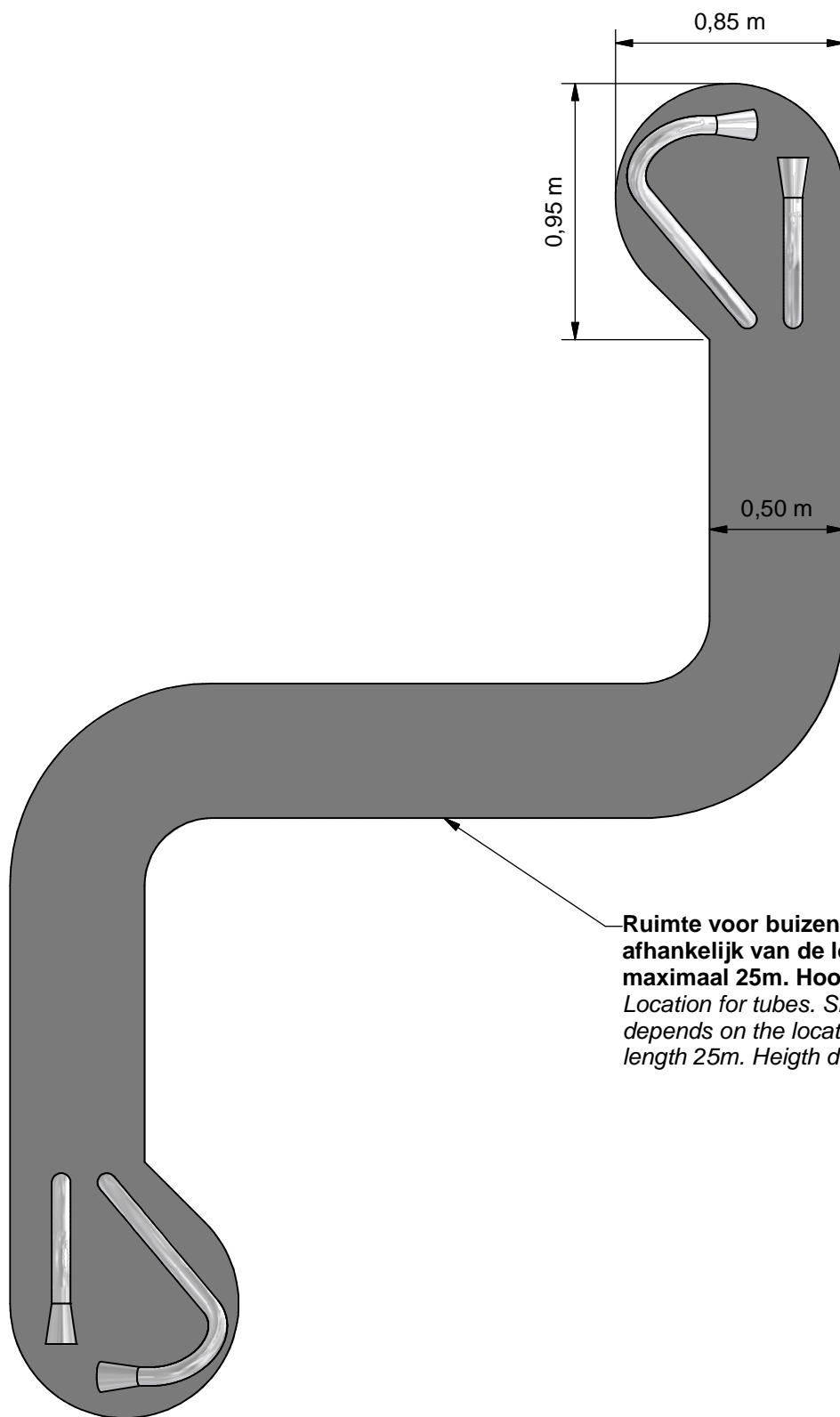


# Speaking tube "Listening Ear"



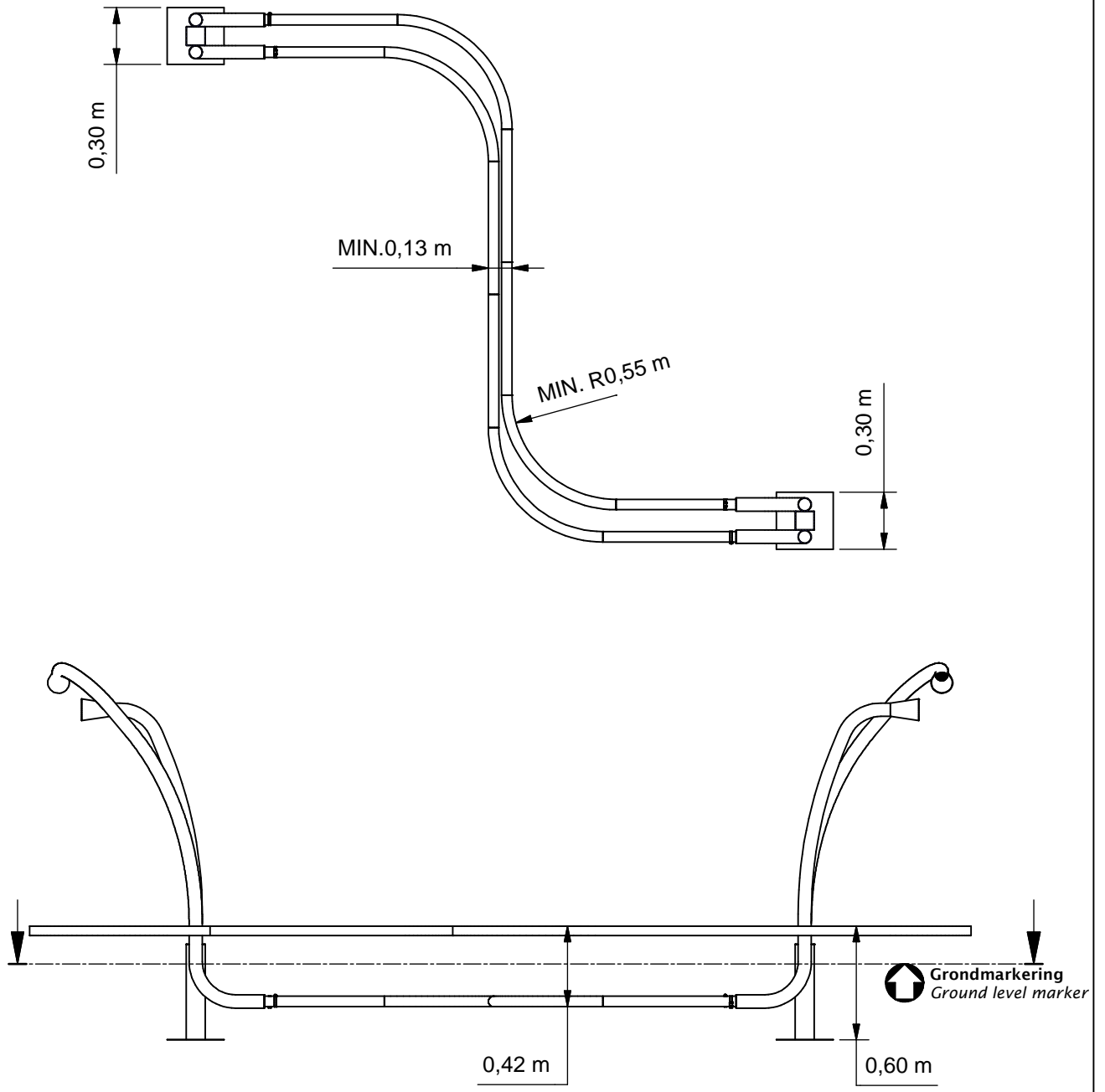
SOLE030.188





Ruimte voor buizen. Vorm en lengte afhankelijk van de locatie, maar maximaal 25m. Hoogteverschil mogelijk.  
 Location for tubes. Shape and length depends on the locations. Maximum length 25m. Height difference possible.

- Opvangzone  
Impact area
- Obstakelvrije zone  
Obstacle free zone



Benaming / Title: SPREEKBUIS  
 Opmerking / Comment: LUISTEREND OOR  
 Datum / Date: 30-5-2005

Tekening / Drawing

TOE SOL 030 188

Bodemplan Groundplan

**Geleverde module:**

Zie tabel

**Supplied module:**

See table

**Montagevolgorde:**

- 1 - Graaf het gat volgens het bodemplan
- 2 - Plaats 1
- 3 - Controleer of het toestel voldoet aan de afmetingen zoals op blad 'afmetingen'
- 4 - Dicht het gat en verdicht het zand

**Assembly sequence:**

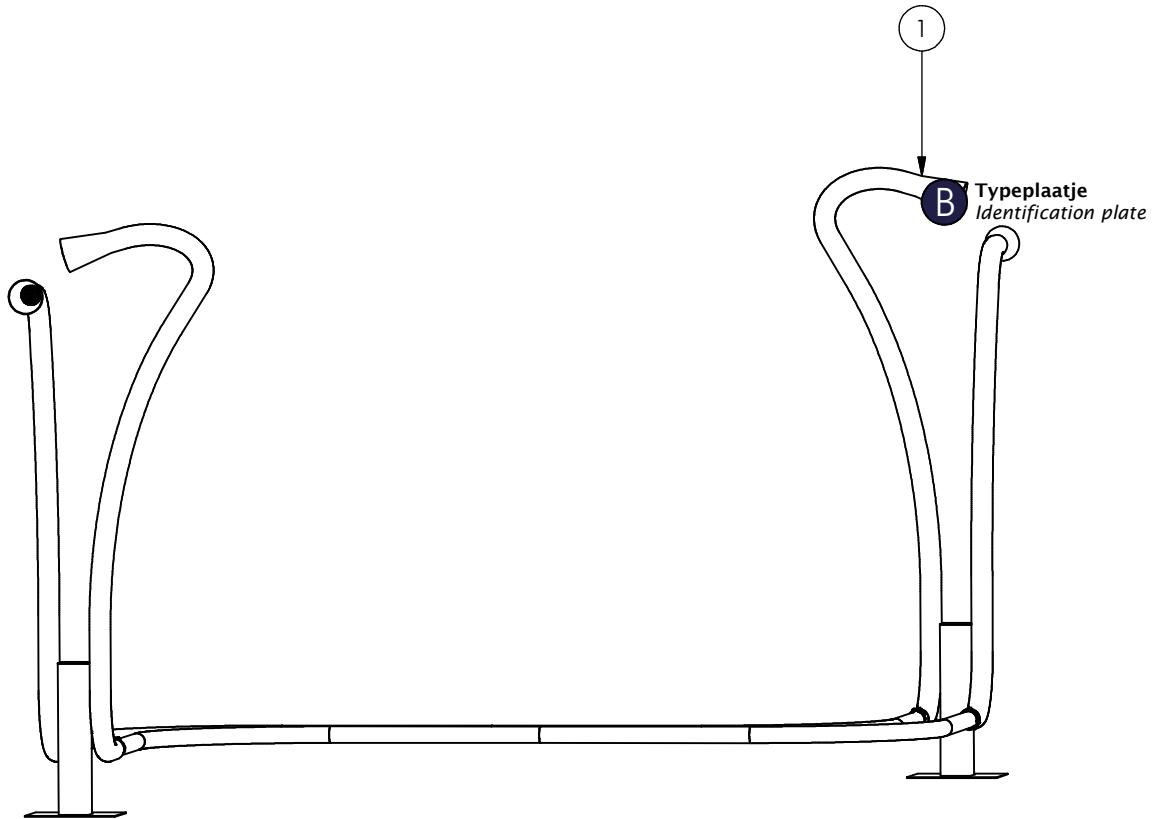
- 1 - Dig the hole according to the ground plan
- 2 - Place 1
- 3 - Check that the equipment conforms to the dimensions shown on sheet 'dimensions'
- 4 - Close the hole and compact the sand

**Controles:**

- 1 - Correcte opbouw en alle bevestigingsmiddelen
- 2 - Controleer de afmetingen van de valbodem t.o.v. het toestel

**Checks:**

- 1 - Correct assembly and all the fasteners
- 2 - Check the dimensions of the safety area with regard to the play equipment



Nr	#	Type	Progr.	Volgnr	Bew.	Rev.	Benaming	Opmerking
1	2	MOD	BUI	050	088		Spreekbuis &	Luisterend Oor



Benaming  
Title SPREEKBUIS

Opmerking  
Comment LUISTEREND OOR

Datum  
Date 30-5-2005

Tekening  
Drawing

TOE SOL 030 188

Modules Modules

# SOLE030.188

Speaking tube "Listening Ear"

## LOGBOOK

(Onderstaand logboek kan gebruikt worden om te voldoen aan de eisen, gesteld in artikel 14 van het Warenwetbesluit Attractie- en Speeltoestellen)

Type indication	Pioneer Play
Product code	SOLE030.188
Name of equipment	Spreekbuis luisterend oor
Maximum height of fall	n.a.
Year of construction	2017
Certificate	0183402366
inspection authority	NVT -
Name manufacturer	BOERplay Hyacintstraat 2 - 4255 HX Nieuwendijk Phone: +31 (0)183 40 23 66 Fax: +31 (0)183 40 35 64
name installer	_____ _____
Description of equipment	Speaking tube "Listening Ear"
Location of equipment	_____
Data about the owner of the play equipment	
Name:	_____
Address:	_____
Postcode and town:	_____
Contact person:	_____
Telephone number:	_____
Data about the administrator of the play equipment	
Name:	_____
Address:	_____
Postcode and town:	_____
Contact person:	_____
Telephone number:	_____

# LOGBOOK

## Inspection and maintenance intervals



Nr.	Inspection	Maintenance	months between inspections
1	Verify equipment's stability, junctions and missing parts. Inspect bolts, screws and nuts for absence, jams, corrosion and wear.	Add missing parts, secure joints, apply missing fixing agent and replace corroded parts.	1
2	Check suspension for wear.	Replace worn parts and/or remove non-functioning parts.	1
3	Inspect rotating parts such as hinges, rolling-element bearings, etc. for wear and acceptability.	Replace worn parts and/or remove non-functioning parts.	1
4	Check wood for splinters, unacceptable damage and signs of rot. Especially at ground level.	Repair damage. Replace affected wood. Smoothen splintered wood and sharp edges.	1
5	Inspect foundation for stability, tearing and coverage.	Restore foundation and covering material.	3
6	Examine rubber and synthetic parts for wear, damage and break.	Replace original parts.	3
7	Inspect metal for corrosion and damage in the coating.	Restore any damaged coating (after removing rust and applying primer).	6
8	Check ropes, cables, chains and nets for wear and damage. Steel cables and nets which are tensioned must be checked for tension.	Replace parts where necessary. Steel cables and nets must be tensioned.	3
9	Inspect equipment for unsafe changes and additions.	Remove unsafe additions and correct unsafe changes.	1
10	Inspect safety surfaces.	Restore and repair where necessary.	1

## Remarks

1. If used intensively, all points require extra attention.
2. Extreme weather conditions and locations may require a higher inspection frequency. Discuss this with the supplier.
3. Vandalism-sensitive locations require stricter inspections, possibly daily.
4. Check the terrain regularly for items that do not belong there, are unsafe or may be used wrongly. Examples are poisonous plants, glass shards, etc. Frequency depends on strain.
5. Remember that bad maintenance leads to unsafe conditions and notably faster impoverishment of the playground area.
6. Replacement parts can be ordered at the manufacturer with the part numbers on the module drawing. Drawings can be found in de user guide.
7. The impact area shall be provided with impact attenuating surface according to the specified falling height.
8. This list is conform the CEN-standard "playground equipment and surfacing NEN-EN 1176-7".

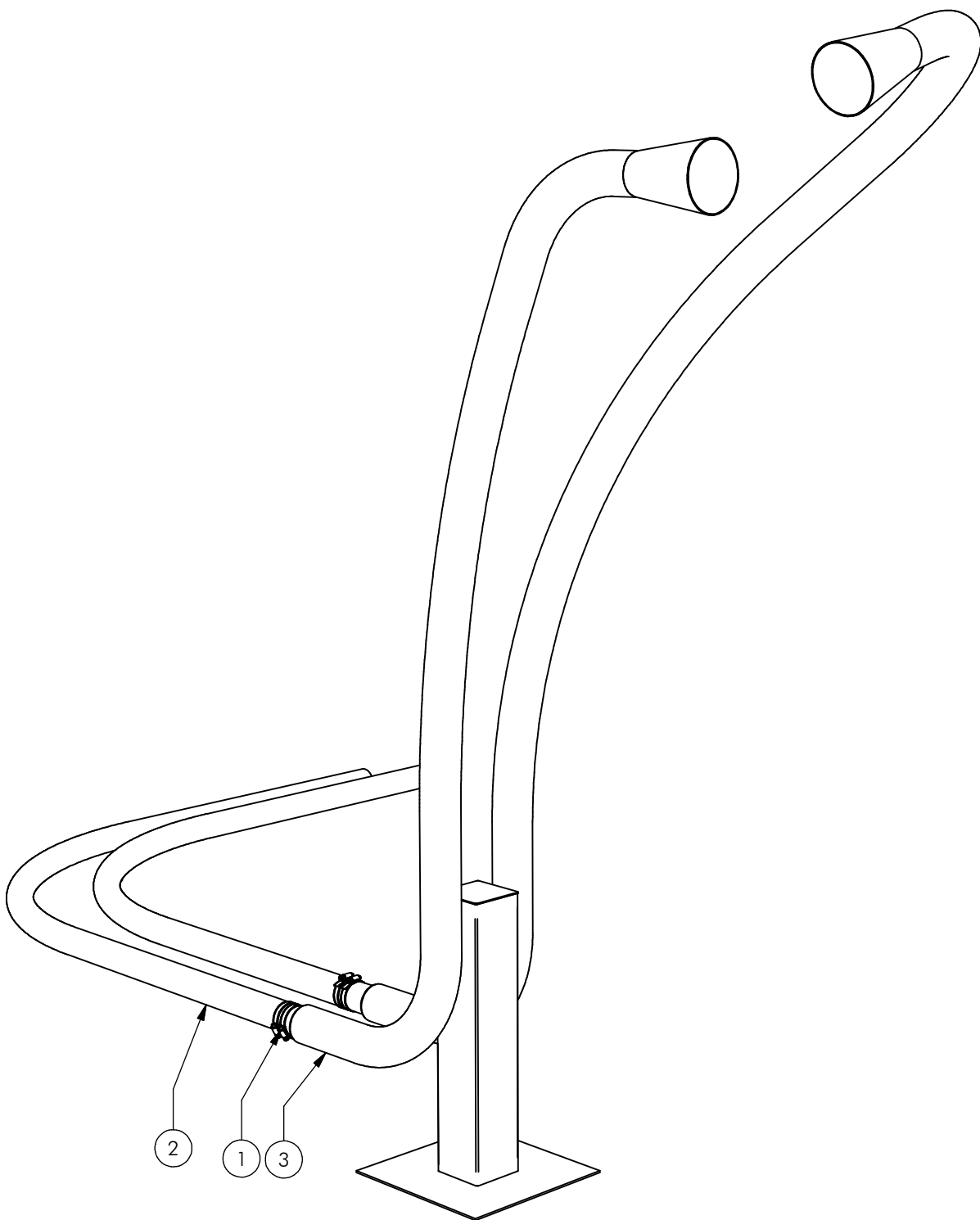


Dit toestel is geen speeltoestel conform het warenwetbesluit attractie- en speeltoestellen, en is dus niet als zodanig gecertificeerd.

*This equipment is not playground equipment, so it has not been certified as such.*







Nr	#	Type	Progr.	Volgnr	Bew.	Rev.	Benaming	Opmerking
1	4	BSR	065	050	065		Slangklem	12 mm - RVS A2-70
2	1	KST	BUI	005	AZU		BUIS	AZUR 50 MM
3	1	SME	BUI	019	320	A	SPREEKBUIS	LUISTEREND OOR



Benaming  
Title Spreekbuis &  
Opmerking  
Comment Luisterend Oor  
Datum  
Date 21-9-2011

Tekening  
Drawing

**MOD BUI 050 088**

Samenstelling module *Assembly module*