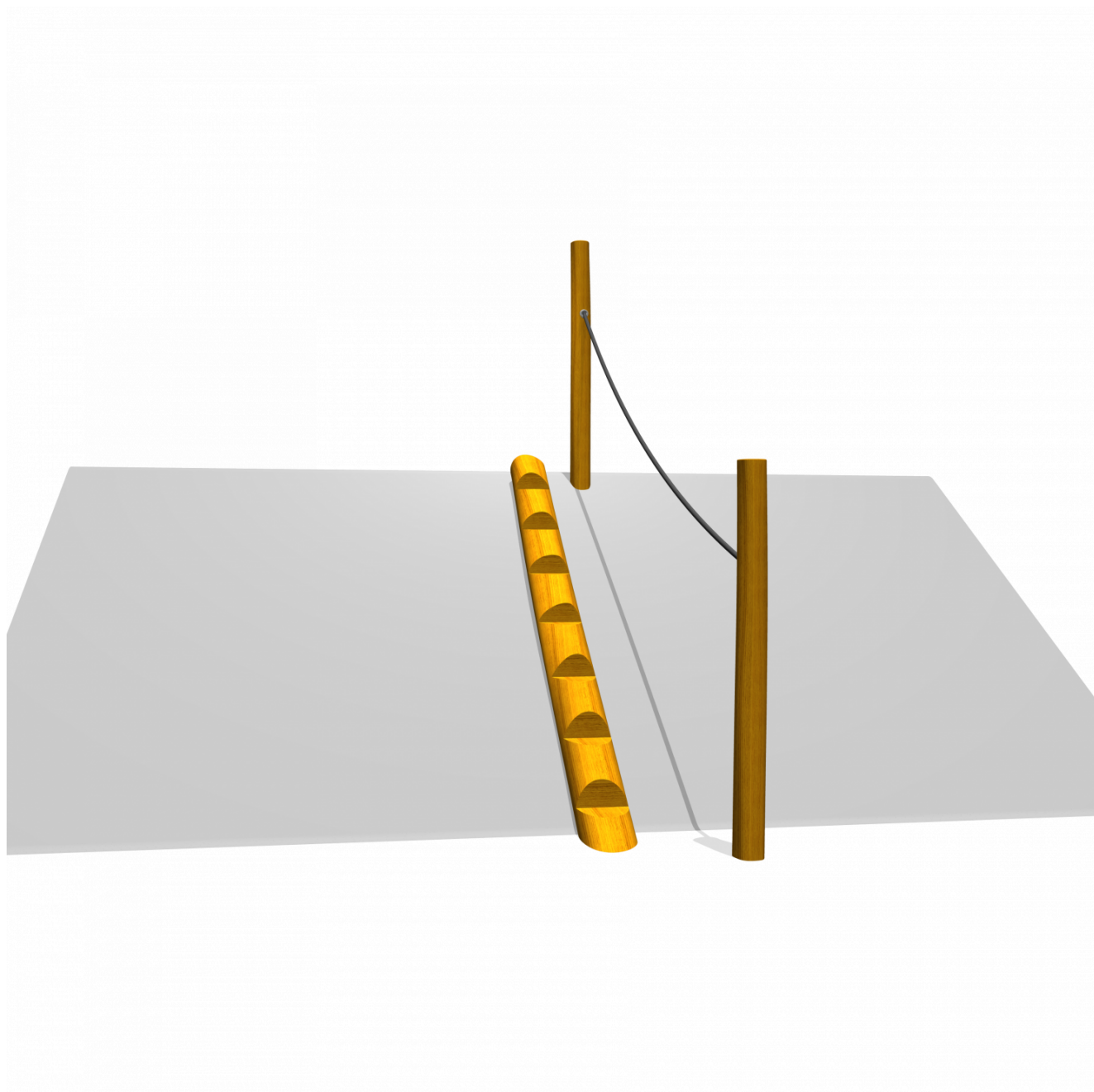
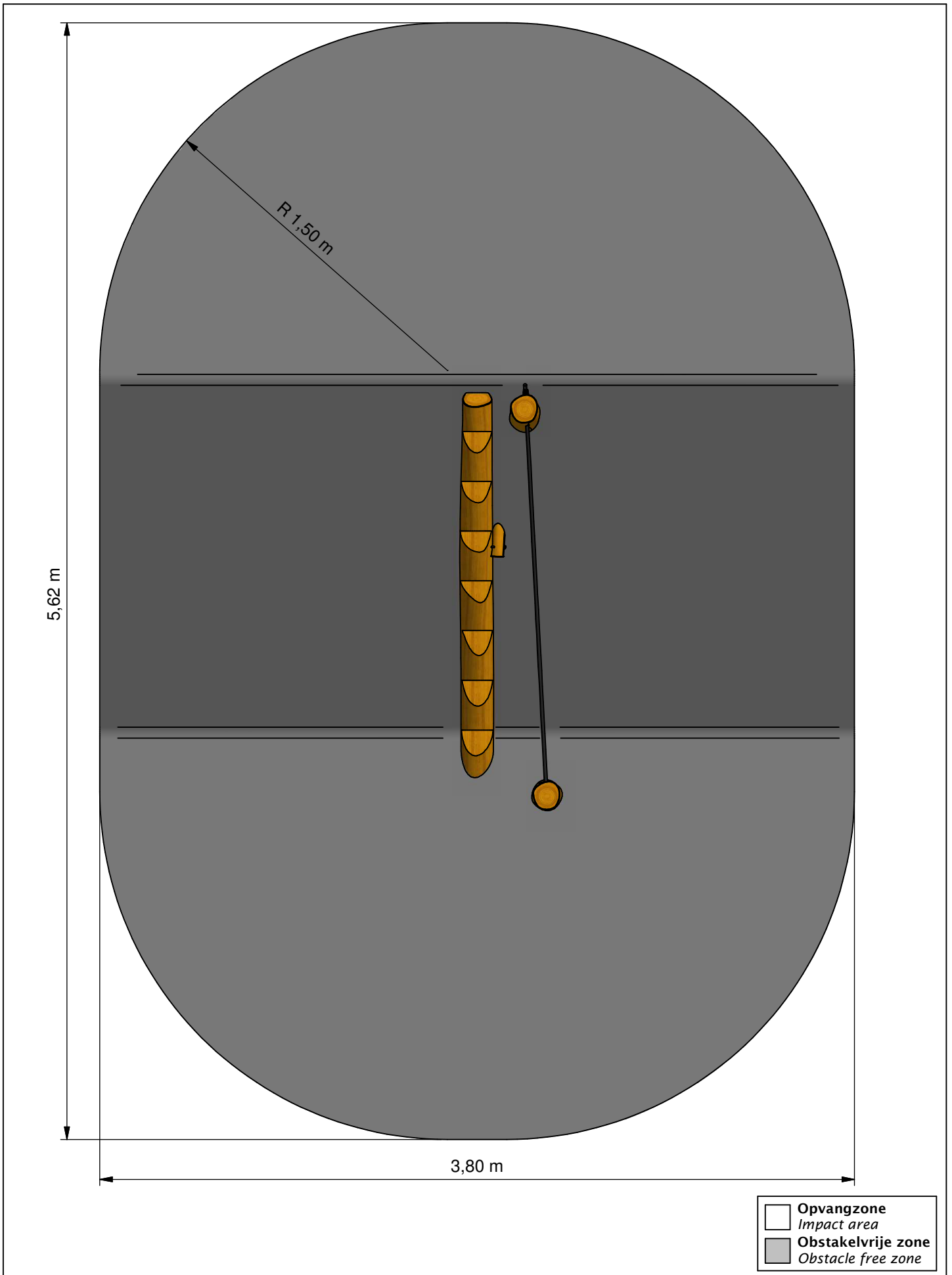


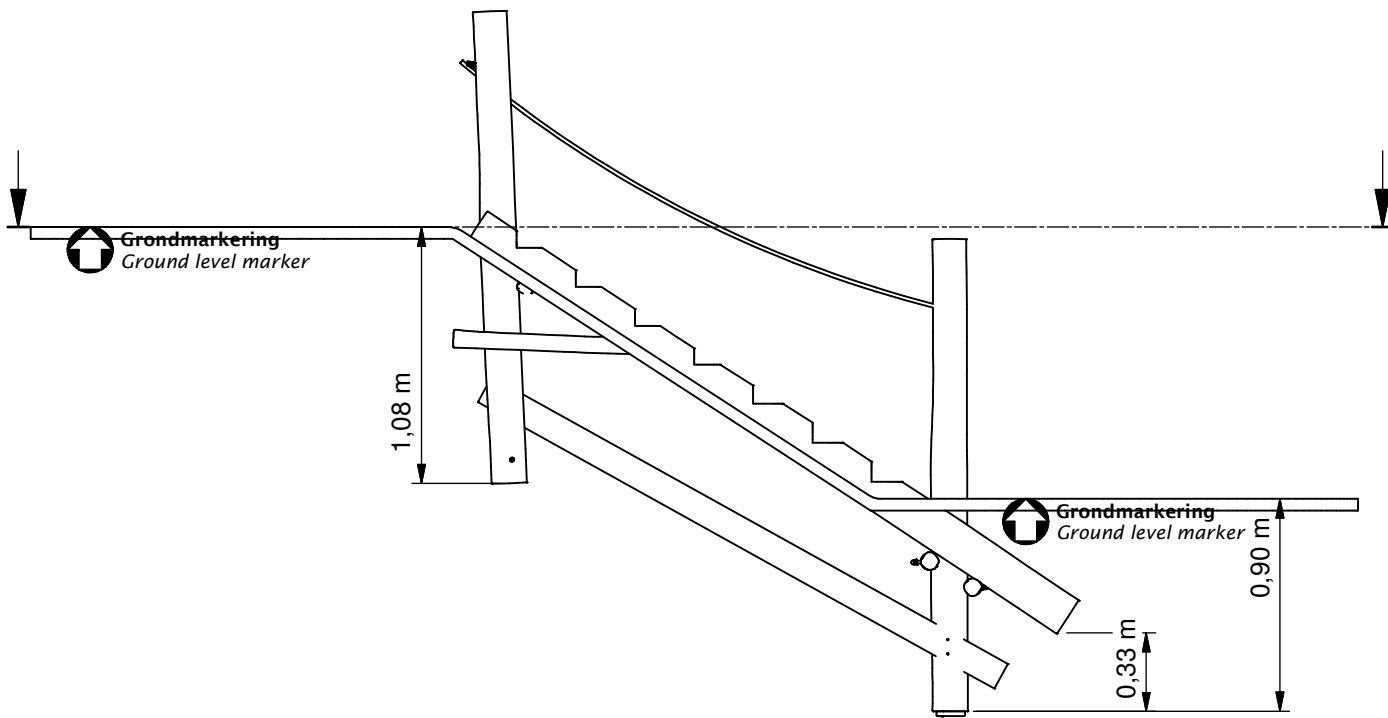
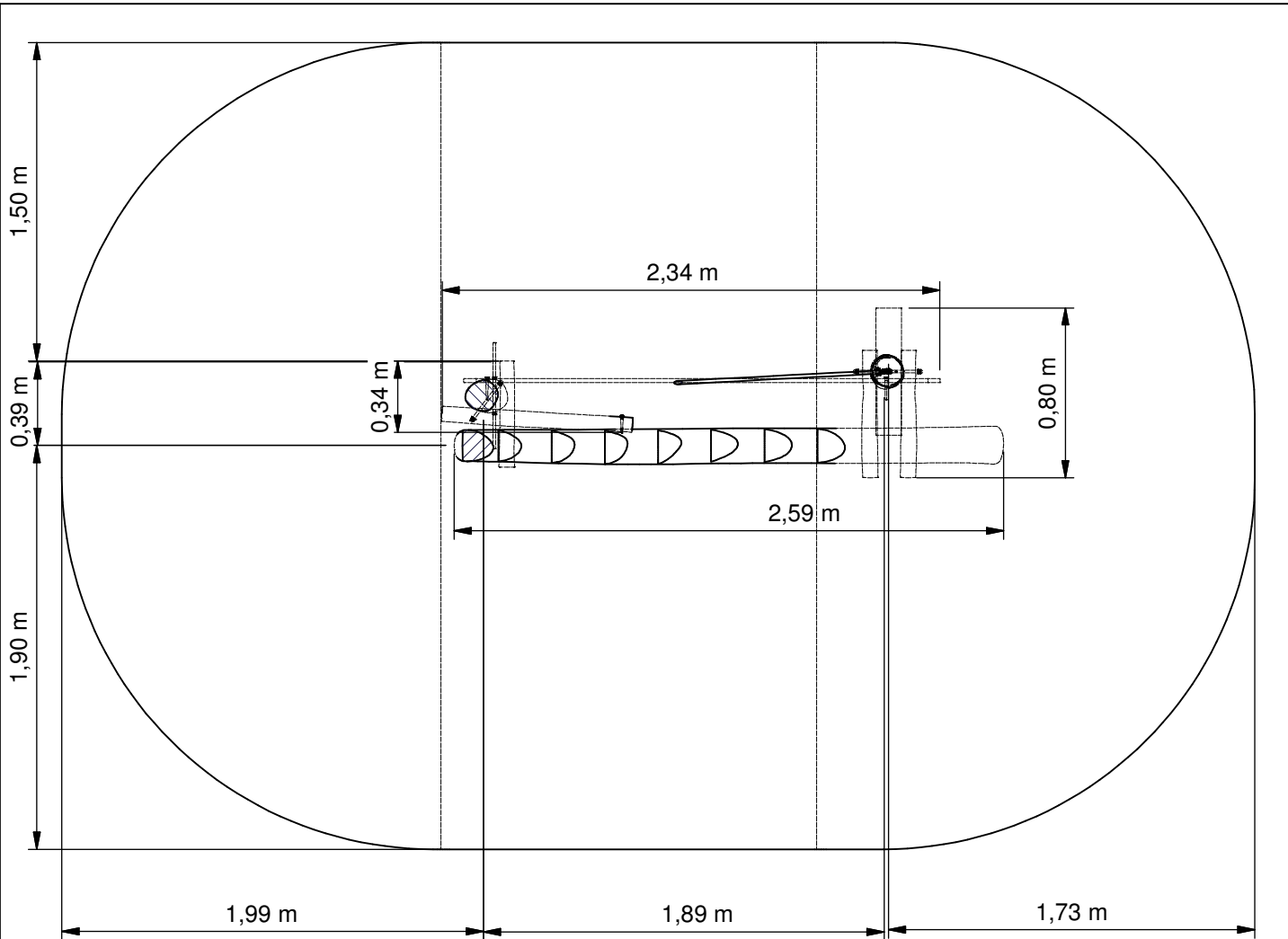


# Hill climber



PSTE105.016





Benaming  
Title Oplooptam 1,1m

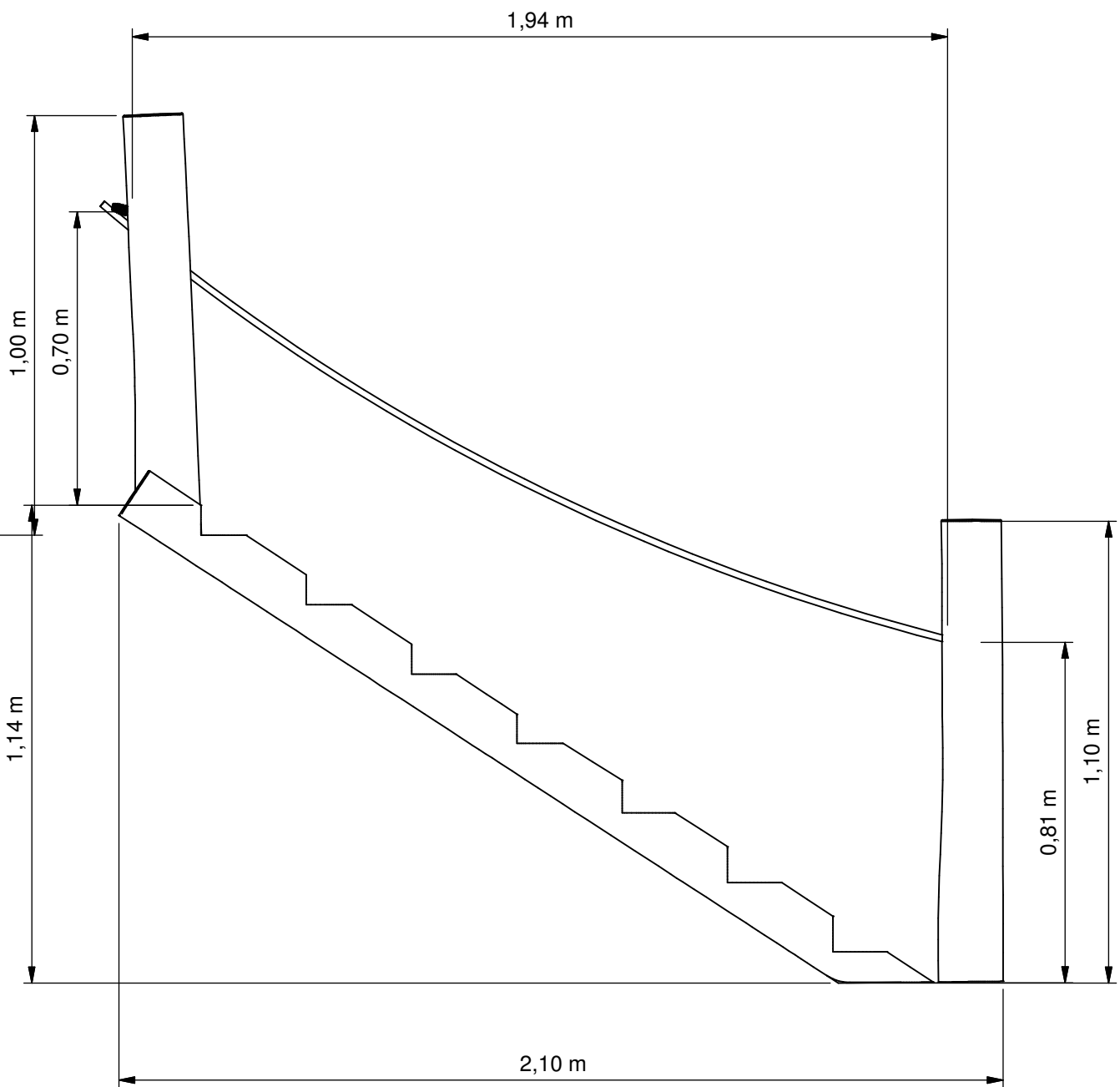
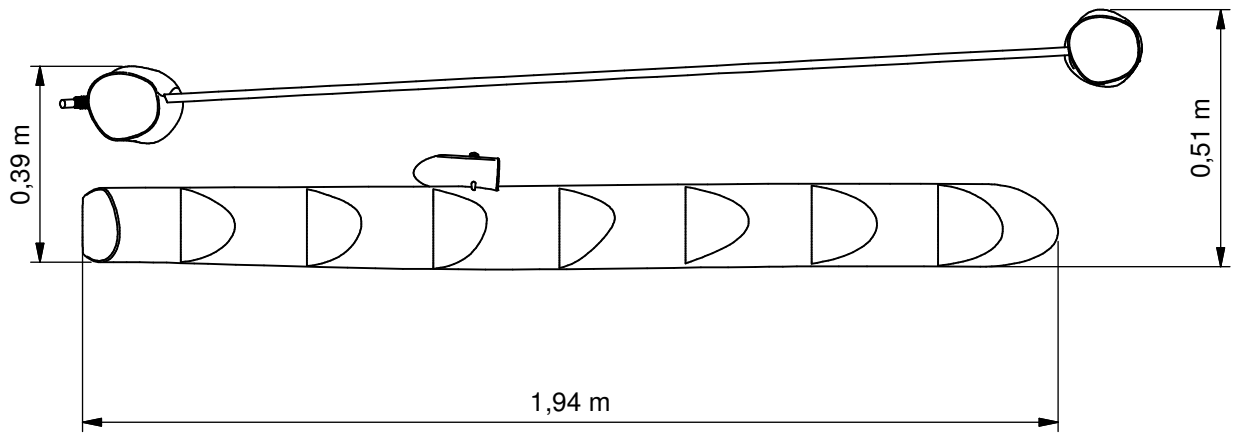
Opmerking  
Comment Adventure Play

Datum  
Date 24-11-2015

Tekening  
Drawing

TOE PST 105 016 C

Bodemplan Groundplan



Benaming  
Title | Oplooptam 1,1m

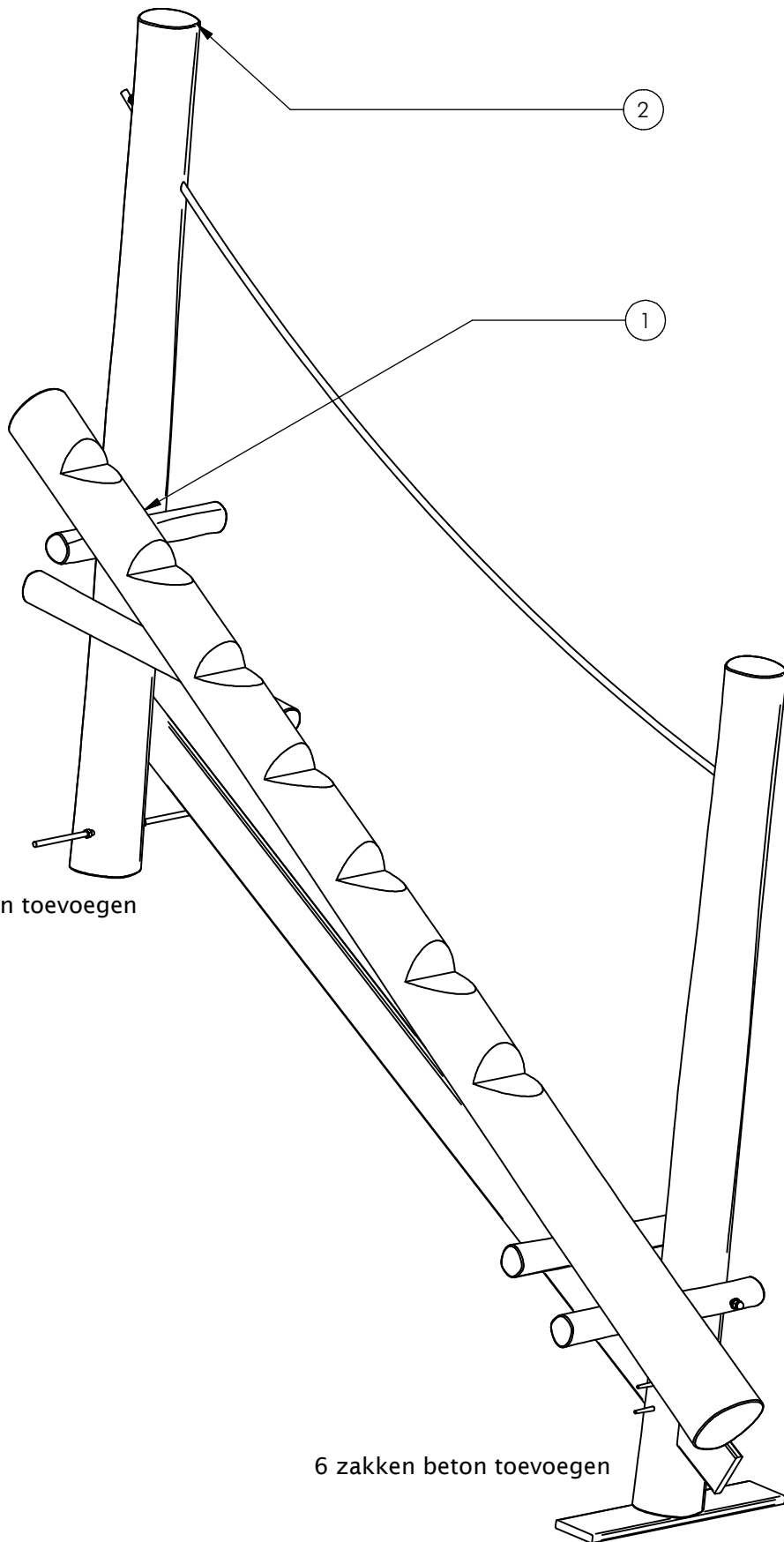
Opmerking  
Comment | Adventure Play

Datum  
Date | 24-11-2015

Tekening  
Drawing

**TOE PST 105 016 C**

*Afmetingen Dimensions*



6 zakken beton toevoegen

6 zakken beton toevoegen

Nr	#	Type	Progr.	Volgnr	Bew.	Rev.	Benaming	Opmerking
1	1	MOD	PST	026	003	C	Boomtrap 1,0m enkel	Adventure Play
2	1	MOD	PST	105	016	C	Losse Onderdelen	tbv PST.105.016



Benaming / Title: Oloopstam 1,1m  
 Opmerking / Comment: Adventure Play  
 Datum / Date: 24-11-2015

Tekening / Drawing

**TOE PST 105 016 C**

Modules Modules

**Geleverde delen:**

- A - Paal 1,60 m onder
- B - Paal 1,60 m boven
- C - Boomtrap lengte 3000
- D - Hercules touw

**Bevestiging sets:**

- 1 - RVS M12 bevestigingssets voor de palen
- 2 - Verzinkte veiligheidsschroef, M6

**Montagevolgorde:**

- 1 - Graaf de gaten volgens het bodemplan en plaats A en B
- 2 - Plaats C en bevestig deze aan A,B
- 3 - Plaats D en bevestig deze aan A,B
- 4 - Controleer of het toestel voldoet aan de afmetingen zoals op blad 'afmetingen'
- 5 - Dicht de gaten en verdicht het zand

**Controles:**

- 1 - Correcte opbouw en alle bevestigingsmiddelen
- 2 - Controleer de afmetingen van de valbodem t.o.v. het toestel
- 3 - Controleer of de hellingshoek niet groter is dan 38 graden

**Supplied parts:**

- A - Post length 1600 below
- B - Post length 1600 above
- B - Tree stairs length 3000
- C - Hercules rope

**Mounting kits:**

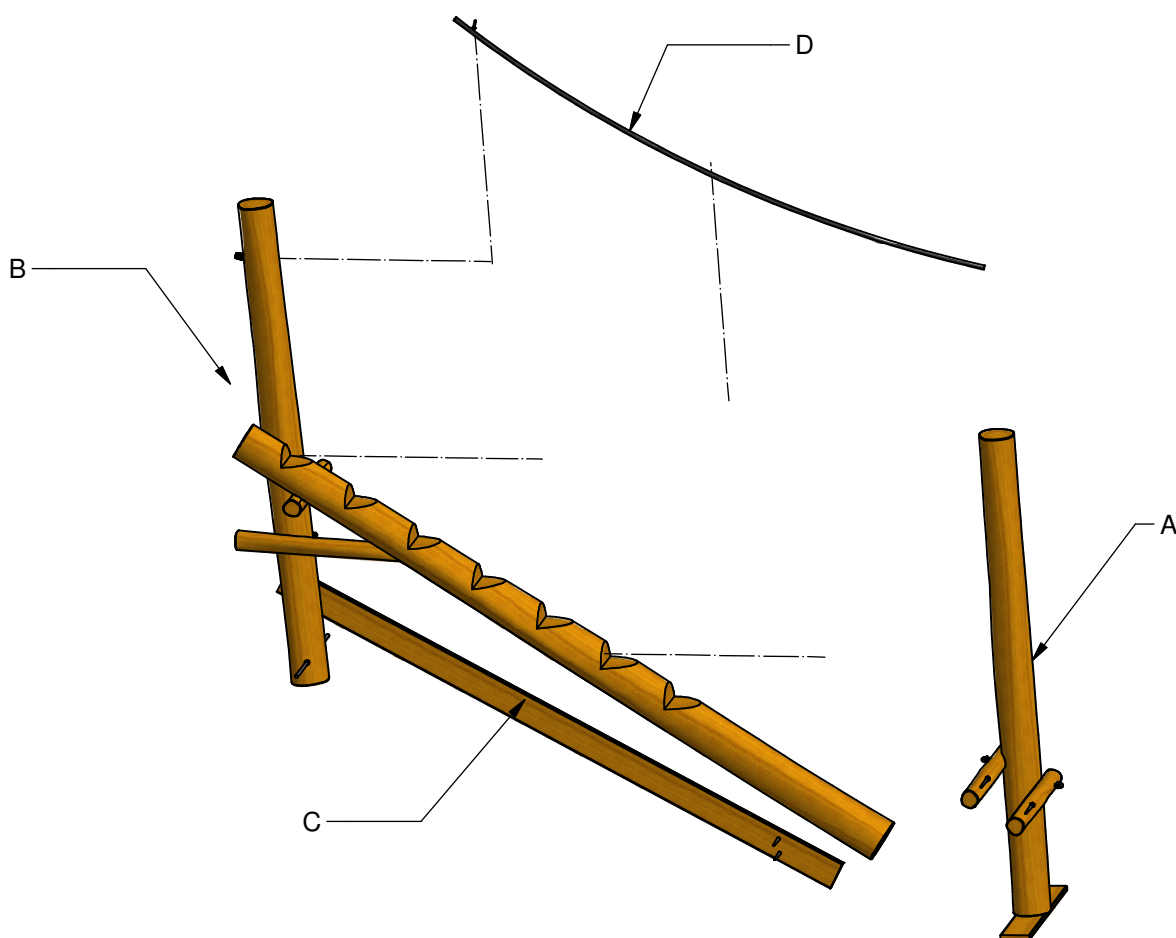
- 1 - Stainless steel M12 fastener sets for the posts
- 2 - Galvanized steel M6 safety screw

**Assembly sequence:**

- 1 - Dig the holes according to the ground plan and place A and B
- 2 - Place C and attach it to A,B
- 3 - Place D and attach it to A,B
- 4 - Check that the equipment conforms to the dimensions shown on sheet 'dimensions'
- 5 - Close the holes and compact the sand

**Checks:**

- 1 - Correct assembly and all the fasteners
- 2 - Check the dimensions of the safety area compared to the play equipment
- 3 - Check that the slope does not exceed 38 degrees



# PSTE105.016

Hill climber

## LOGBOOK

(Onderstaand logboek kan gebruikt worden om te voldoen aan de eisen, gesteld in artikel 14 van het Warenwetbesluit Attractie- en Speeltoestellen)

Type indication	Adventure Play
Product code	PSTE105.016
Name of equipment	Hellingklimmer
Maximum height of fall	0,2 m
Year of construction	2017
Certificate	032650
inspection authority	TUV Nederland QA BV De Waal 21c, Best - 5684 PH Best
Name manufacturer	BOERplay Hyacintstraat 2 - 4255 HX Nieuwendijk Phone: +31 (0)183 40 23 66 Fax: +31 (0)183 40 35 64
name installer	_____ _____
Description of equipment	Hill climber
Location of equipment	_____
Data about the owner of the play equipment	
Name:	_____
Address:	_____
Postcode and town:	_____
Contact person:	_____
Telephone number:	_____
Data about the administrator of the play equipment	
Name:	_____
Address:	_____
Postcode and town:	_____
Contact person:	_____
Telephone number:	_____

# LOGBOOK

## Inspection and maintenance intervals



Nr.	Inspection	Maintenance	months between inspections
1	Verify equipment's stability, junctions and missing parts. Inspect bolts, screws and nuts for absence, jams, corrosion and wear.	Add missing parts, secure joints, apply missing fixing agent and replace corroded parts.	1
2	Check suspension for wear.	Replace worn parts and/or remove non-functioning parts.	1
3	Inspect rotating parts such as hinges, rolling-element bearings, etc. for wear and acceptability.	Replace worn parts and/or remove non-functioning parts.	1
4	Check wood for splinters, unacceptable damage and signs of rot. Especially at ground level.	Repair damage. Replace affected wood. Smoothen splintered wood and sharp edges.	1
5	Inspect foundation for stability, tearing and coverage.	Restore foundation and covering material.	3
6	Examine rubber and synthetic parts for wear, damage and break.	Replace original parts.	3
7	Inspect metal for corrosion and damage in the coating.	Restore any damaged coating (after removing rust and applying primer).	6
8	Check ropes, cables, chains and nets for wear and damage. Steel cables and nets which are tensioned must be checked for tension.	Replace parts where necessary. Steel cables and nets must be tensioned.	3
9	Inspect equipment for unsafe changes and additions.	Remove unsafe additions and correct unsafe changes.	1
10	Inspect safety surfaces.	Restore and repair where necessary.	1

## Remarks

1. If used intensively, all points require extra attention.
2. Extreme weather conditions and locations may require a higher inspection frequency. Discuss this with the supplier.
3. Vandalism-sensitive locations require stricter inspections, possibly daily.
4. Check the terrain regularly for items that do not belong there, are unsafe or may be used wrongly. Examples are poisonous plants, glass shards, etc. Frequency depends on strain.
5. Remember that bad maintenance leads to unsafe conditions and notably faster impoverishment of the playground area.
6. Replacement parts can be ordered at the manufacturer with the part numbers on the module drawing. Drawings can be found in de user guide.
7. The impact area shall be provided with impact attenuating surface according to the specified falling height.
8. This list is conform the CEN-standard "playground equipment and surfacing NEN-EN 1176-7".



Warenwet

# Certificaat van Typeonderzoek Type Examination Certificate

afgegeven door issued by

## TÜV Nederland QA BV



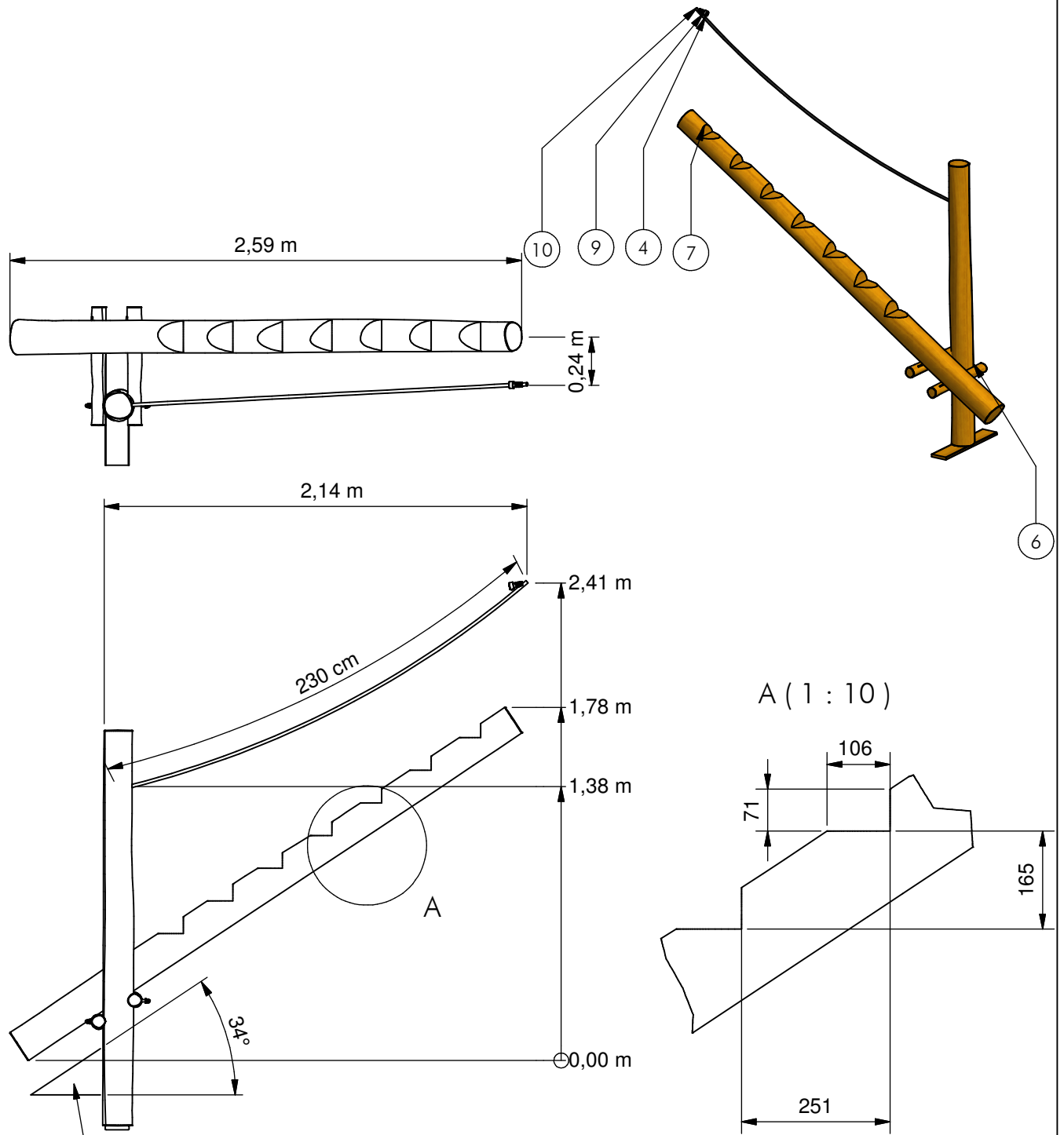
aangewezen bij ministeriële beschikking van 4 mei 2012, nr. VGP 3113590  
commissioned by departmental order of 4 May 2012, no. VGP 3113590

Certificaat nr. Certificate nr.	032650TA_20130219	Dossiernr. File nr.	032650TA
Productomschrijving Product description	Hellingklimmer		
Evt. nadere aanduidingen Further indications	Voor plaatsing op talud		
voor nadere informatie zie bijbehorend rapport met gelijkloidend dossiernr. for further information see associated report with identical file nr.			
Eigenaar / certificaathouder en adres Owner/certificate holder and address	Boer Speeltoestellen B.V. Hyacintstraat 2 4255 HX Nieuwendijk		
Soort toestel Category of equipment	Speeltoestel / Playground equipment		
Fabrikant Manufacturer	Boer Speeltoestellen B.V. Hyacintstraat 2 4255 HX Nieuwendijk		
Type/Serienummer Type/Serial number	PST.105.016 /	in te vullen door de fabrikant to be filled out by the manufacturer	
Jaar van fabricage Year of construction	vanaf 2012 since		
Leverancier Supplier	Boer Speeltoestellen B.V. Hyacintstraat 2 4255 HX Nieuwendijk		
Jaar van levering Year of supply	in te vullen door de leverancier to be filled out by the supplier		
Datum keuring Date of examination	22-01-2013 – 19-02-2013		

TÜV Nederland QA BV, de Waal 21C, NL-5684 PH Best verklaart, dat het bovenaangehaalde toestel voldoet aan de vervaardigingvoorschriften genoemd in het Warenwetbesluit attractie- en speeltoestellen (met als leidraad de normatieve documenten NEN-EN 1176:2008).

TÜV Nederland QA BV declares that the here above mentioned equipment meets the safety and health requirements mentioned in the Dutch law "Warenwetbesluit attractie- en speeltoestellen" (guided by normative documents EN 1176:2008).

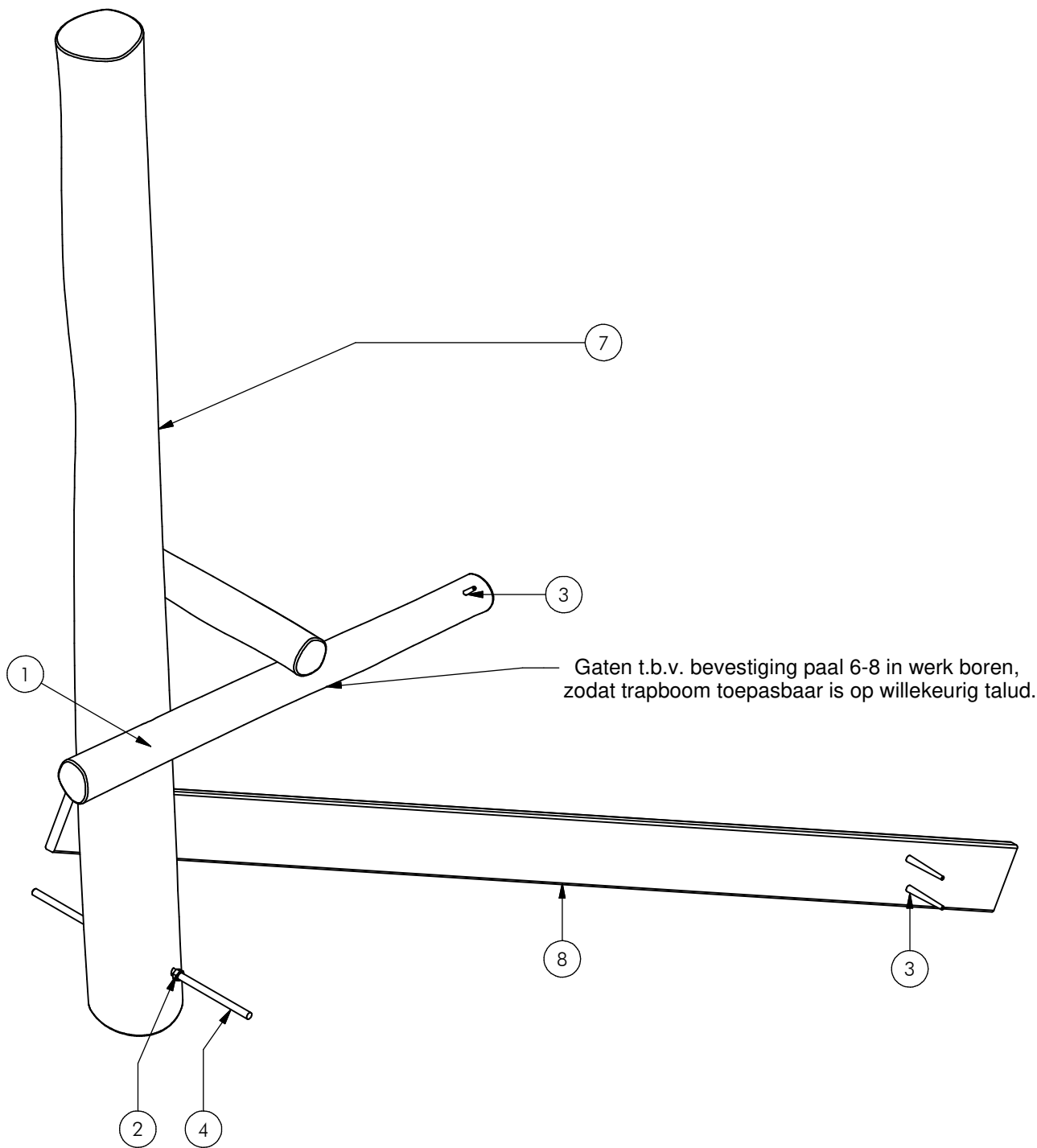
Namens het bestuur, For the board,  A.C. Boon Directeur	
---	--



Gaten t.b.v. bevestiging paal 6-8 in werk boren, zodat trapboom toepasbaar is op willekeurig talud.

7 treden uitkappen volgens bovenstaande maten

Nr	#	Type	Progr.	Volgnr	Bew.	Rev.	Benaming	Opmerking
1	2	BMR	SET	M12	160		Slotbout+dopm.+ringen	M12, L= 160, RVS A2-70
2	2	BSR	002	005	070		Schroef Assy	5 x 70 - RVS A2-70
3	2	BSR	022	010	100		Houtdraadbout	ø10 X 100 - RVS A2-70
4	2	BSV	025	006	030		Veiligheidsschroef	Pin-Torx - VZ 8.8
5	2	OHO	PST	080	006		Paal 6	Lengte =600
6	1	OHO	PST	160	020		Paal 14-16	Lengte =2000
7	1	OHO	PST	180	030		Paal 16-18	Lengte =3000
8	1	OHO	PST	211	060		Standaard plank 120x20	Lengte = 600
9	2	OME	BUS	002	RVS		Bus RVS schroefdraad	touw d16
10	1	ONT	PST	016	011		Touw 2,3m	16mm diameter



Nr	#	Type	Progr.	Volgnr	Bew.	Rev.	Benaming	Opmerking
1	1	BMR	SET	M12	220		Slotbout+dopm.+ringen	M12, L= 220, RVS A2-70
2	2	BSR	017	012	010		Zeskantmoer	M12 - RVS A2-70
3	5	BSR	022	010	100		Houtdraadbout	ø10 X 100 - RVS A2-70
4	1	BSR	070	012	500		Draadeind	M12 x 508 - RVS A2-70
5	1	OHO	PST	080	005		Paal 6	Lengte =500
6	1	OHO	PST	080	009		Paal 6	Lengte =900
7	1	OHO	PST	160	020		Paal 14-16	Lengte =2000
8	1	OHO	PST	211	250		Standaard plank 120x20	Lengte = 2500



Benaming  
Title | Losse Onderdelen

Opmerking  
Comment | tbv PST.105.016

Datum  
Date | 30-3-2017

Tekening  
Drawing

**MOD PST 105 016 C**  
 Samenstelling module Assembly module