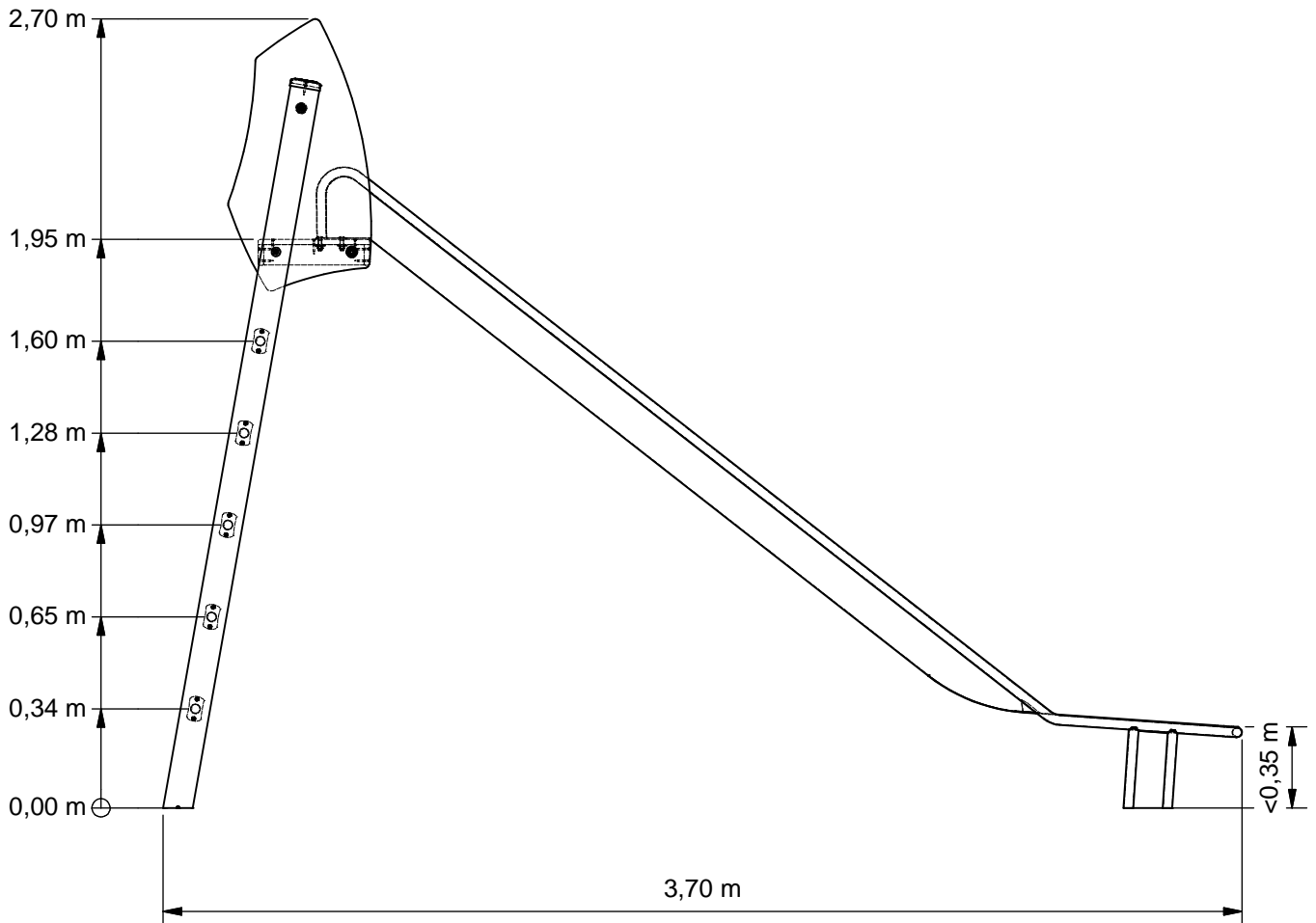
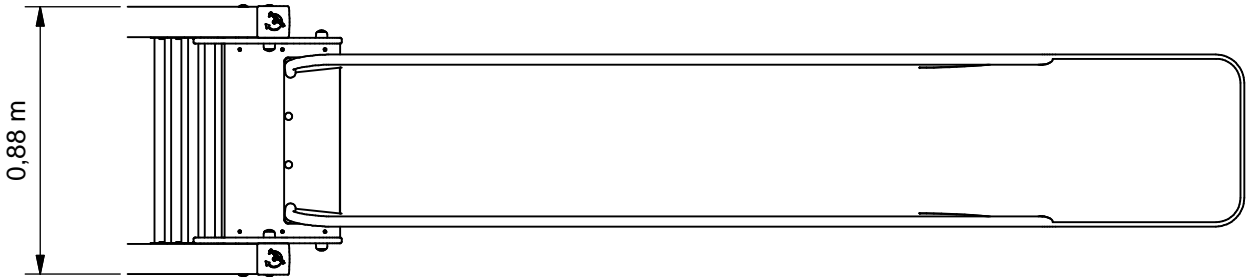




Slide



SOLE030.366



Benaming
Title Glijbaan HHT

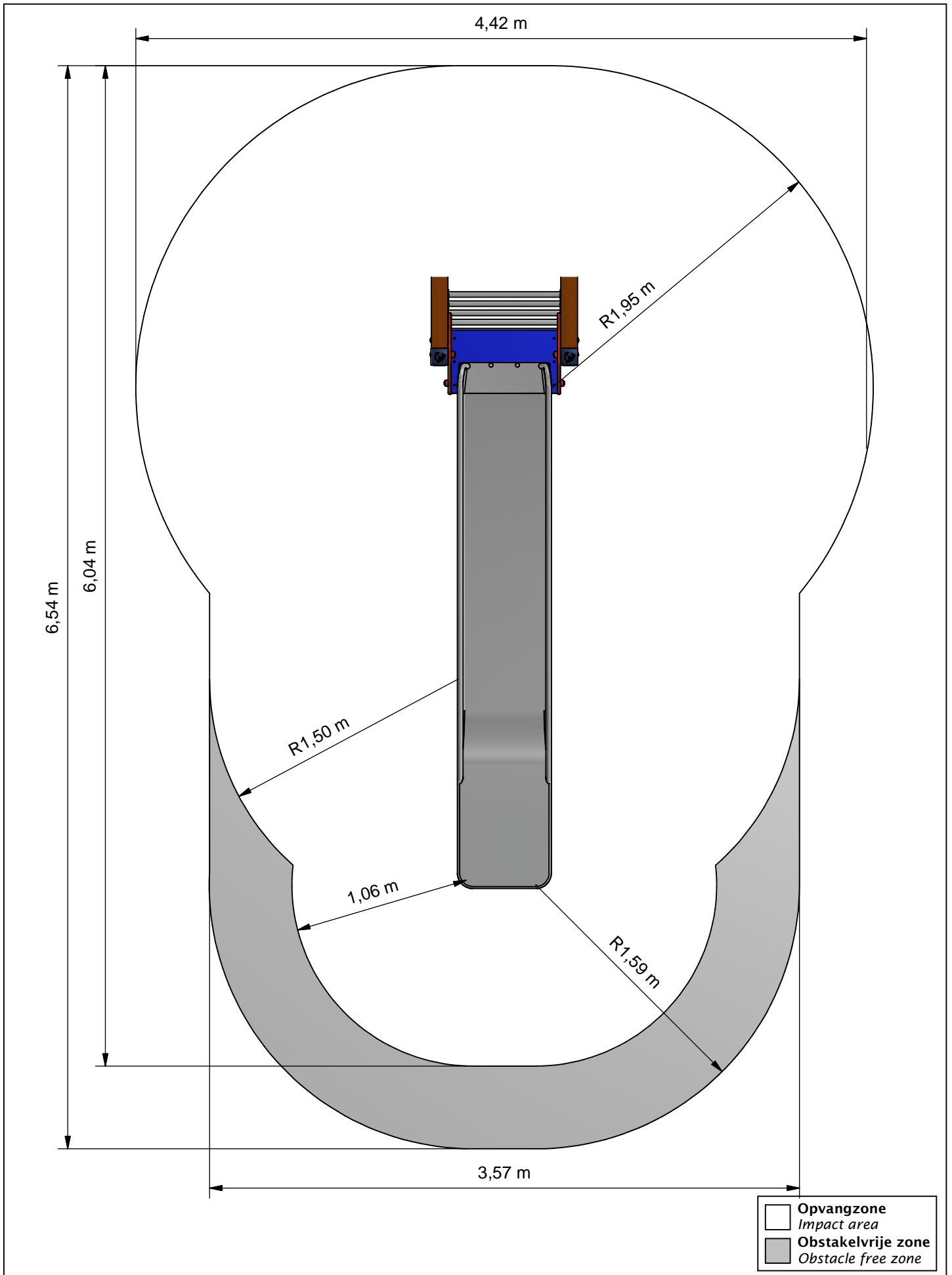
Opmerking
Comment Hoogte 195 cm

Datum
Date 25-8-2015

Tekening
Drawing

TOE SOL 030 366 A

Afmetingen Dimensions



Benaming
Title Glijbaan HHT

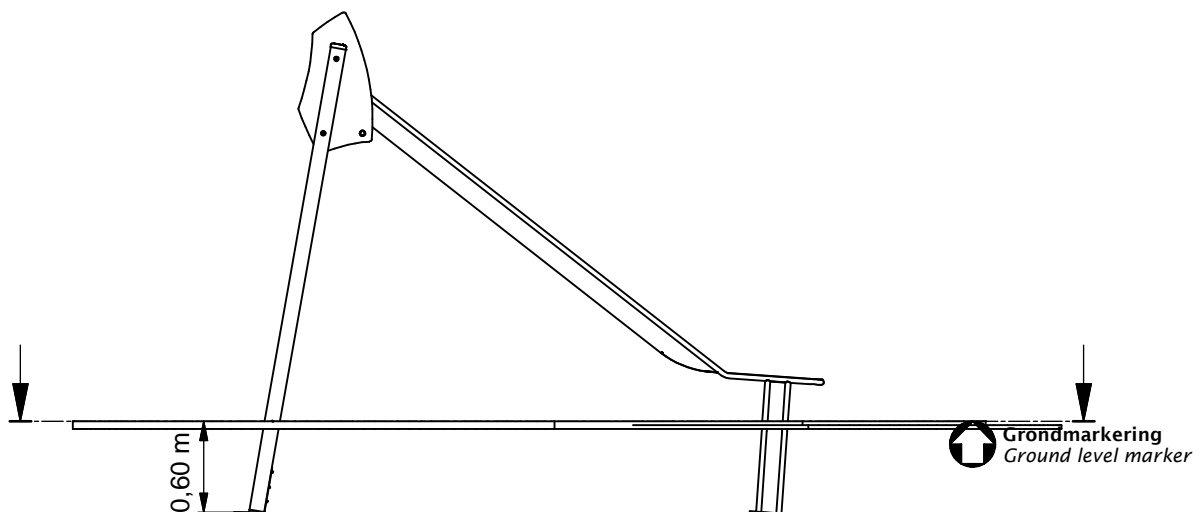
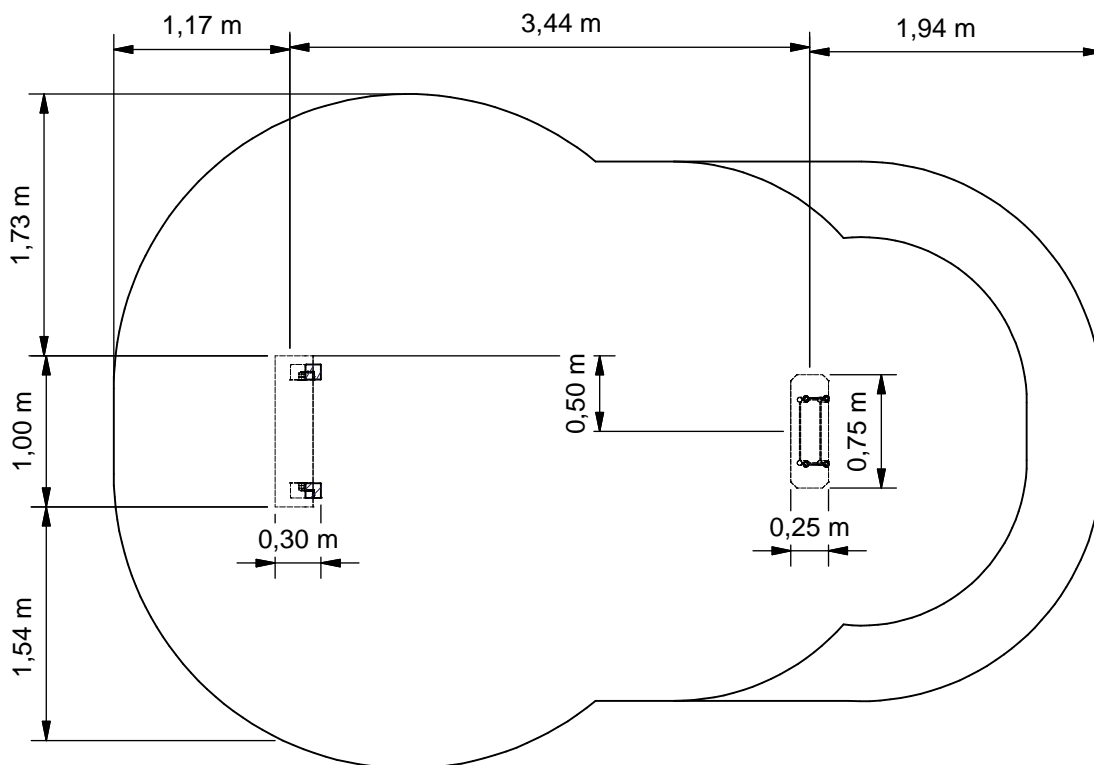
Opmerking
Comment Hoogte 195 cm

Datum
Date 25-8-2015

Tekening
Drawing

TOE SOL 030 366 A

Obstakelvrije zone Obstacle free zone



Benaming
Title | Glijbaan HHT

Opmerking
Comment | Hoogte 195 cm

Datum
Date | 25-8-2015

Tekening
Drawing

TOE SOL 030 366 A

Bodemplan *Groundplan*

Geleverde modules:

Zie tabel

Supplied modules:

See table

Montageinstructie:

- De hoofdmaten geven de maten van de staanders en vloeren aan
- De detailtekeningen geven specifiek de maten van de verbindingen aan
- De modules met buizen zijn op de tekeningen bemaat op bovenkant kopplaat
- Overige modules zijn bemaat op de bovenkant (klimwanden, paalkoppen, etc.)

Assembly instruction:

- The main dimensions indicate the dimensions of the posts and floors
- The detailed dimensions show the specific dimensions of the connections
- The modules which contain tubes are dimensioned at the top of the flanges
- Other modules are dimensioned at the top (climbing walls, caps for the posts, etc.)

Montagevolgorde:

- 1 - Graaf de gaten volgens het bodemplan
- 2 - Plaats 1,2
- 3 - Controleer of het toestel voldoet aan de afmetingen zoals op blad 'afmetingen'
- 4 - Dicht de gaten en verdicht het zand

Assembly sequence:

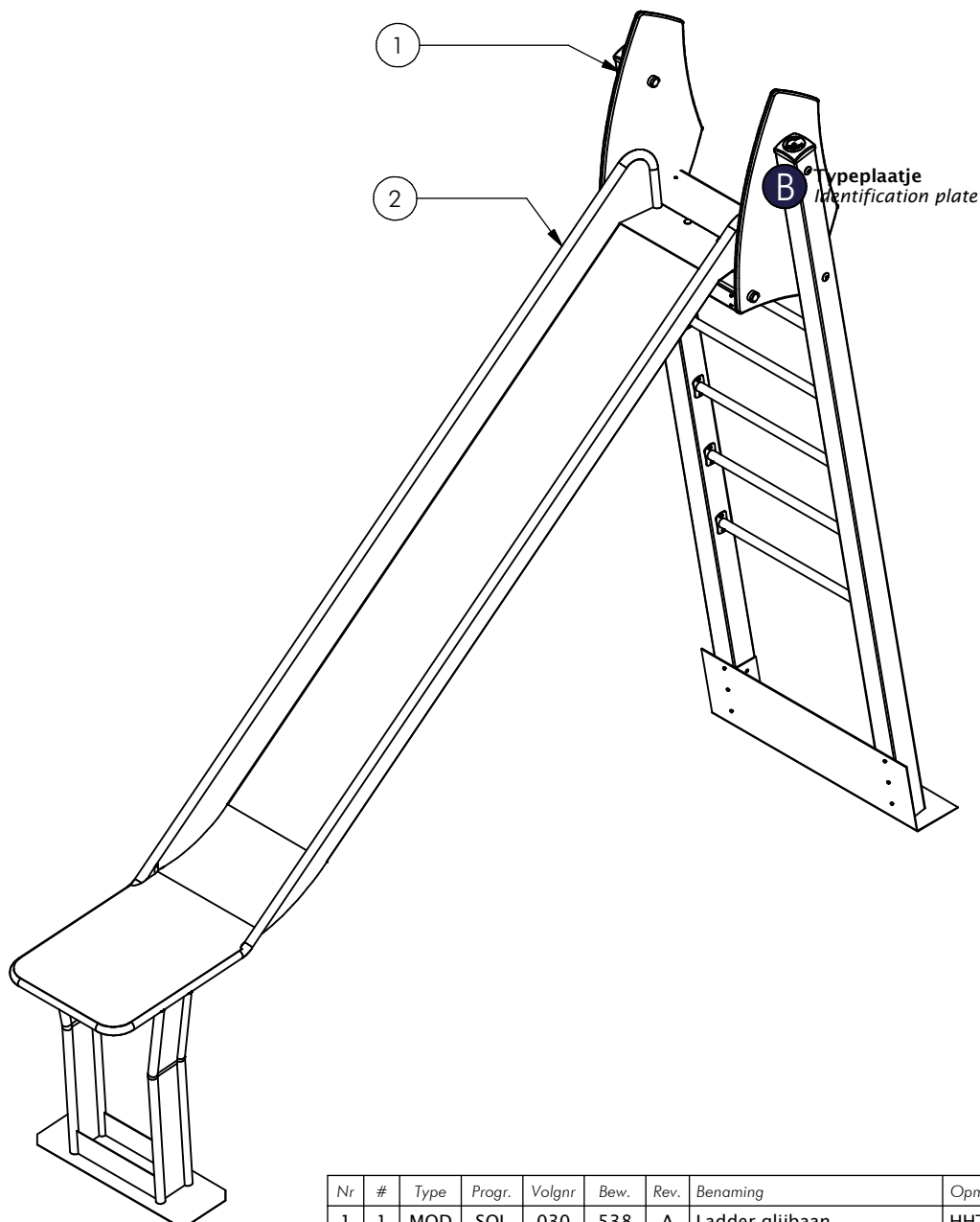
- 1 - Dig the holes according to the ground plan
- 2 - Place 1,2
- 3 - Check that the equipment conforms to the dimensions shown on sheet 'dimensions'
- 4 - Close the holes and compact the sand

Controles:

- 1 - Correcte opbouw en alle bevestigingsmiddelen
- 2 - Controleer de afmetingen van de valbodem t.o.v. het toestel

Checks:

- 1 - Correct assembly and all the fasteners
- 2 - Check the dimensions of the safety area with regard to the play equipment



Nr	#	Type	Progr.	Volgnr	Bew.	Rev.	Benaming	Opmerking
1	1	MOD	SOL	030	538	A	Ladder glijbaan	HHT 195 cm
2	1	MOD	VRB	HHT	193		Glijbaan 195 cm	Module HHT



Benaming
Title: Glijbaan HHT

Opmerking
Comment: Hoogte 195 cm

Datum
Date: 25-8-2015

Tekening
Drawing

TOE SOL 030 366 A

Modules Modules

SOLE030.366

Slide

LOGBOOK

(Onderstaand logboek kan gebruikt worden om te voldoen aan de eisen, gesteld in artikel 14 van het Warenwetbesluit Attractie- en Speeltoestellen)

Type indication	Nature Play
Product code	SOLE030.366
Name of equipment	Glijbaan HHT hoogte 195cm
Maximum height of fall	1,9 m
Year of construction	2017
Certificate	100315884
inspection authority	Liftinstituut B.V. Buikslotermeerplein 381, A'dam - 1025 XE Amsterdam
Name manufacturer	BOERplay Hyacintstraat 2 - 4255 HX Nieuwendijk Phone: +31 (0)183 40 23 66 Fax: +31 (0)183 40 35 64
name installer	_____ _____
Description of equipment	Slide
Location of equipment	_____
Data about the owner of the play equipment	
Name:	_____
Address:	_____
Postcode and town:	_____
Contact person:	_____
Telephone number:	_____
Data about the administrator of the play equipment	
Name:	_____
Address:	_____
Postcode and town:	_____
Contact person:	_____
Telephone number:	_____

LOGBOOK

Inspection and maintenance intervals



Nr.	Inspection	Maintenance	months between inspections
1	Verify equipment's stability, junctions and missing parts. Inspect bolts, screws and nuts for absence, jams, corrosion and wear.	Add missing parts, secure joints, apply missing fixing agent and replace corroded parts.	1
2	Check suspension for wear.	Replace worn parts and/or remove non-functioning parts.	1
3	Inspect rotating parts such as hinges, rolling-element bearings, etc. for wear and acceptability.	Replace worn parts and/or remove non-functioning parts.	1
4	Check wood for splinters, unacceptable damage and signs of rot. Especially at ground level.	Repair damage. Replace affected wood. Smoothen splintered wood and sharp edges.	1
5	Inspect foundation for stability, tearing and coverage.	Restore foundation and covering material.	3
6	Examine rubber and synthetic parts for wear, damage and break.	Replace original parts.	3
7	Inspect metal for corrosion and damage in the coating.	Restore any damaged coating (after removing rust and applying primer).	6
8	Check ropes, cables, chains and nets for wear and damage. Steel cables and nets which are tensioned must be checked for tension.	Replace parts where necessary. Steel cables and nets must be tensioned.	3
9	Inspect equipment for unsafe changes and additions.	Remove unsafe additions and correct unsafe changes.	1
10	Inspect safety surfaces.	Restore and repair where necessary.	1

Remarks

1. If used intensively, all points require extra attention.
2. Extreme weather conditions and locations may require a higher inspection frequency. Discuss this with the supplier.
3. Vandalism-sensitive locations require stricter inspections, possibly daily.
4. Check the terrain regularly for items that do not belong there, are unsafe or may be used wrongly. Examples are poisonous plants, glass shards, etc. Frequency depends on strain.
5. Remember that bad maintenance leads to unsafe conditions and notably faster impoverishment of the playground area.
6. Replacement parts can be ordered at the manufacturer with the part numbers on the module drawing. Drawings can be found in de user guide.
7. The impact area shall be provided with impact attenuating surface according to the specified falling height.
8. This list is conform the CEN-standard "playground equipment and surfacing NEN-EN 1176-7".

TYPE-EXAMINATION CERTIFICATE

Acting under the "Warenwetbesluit Attractie- en Speeltoestellen" issued by Liftinstituut B.V.
commissioned by departmental order, no. VGP/PSL 2857566 from 27 Juni 2008.

Certificate nr. : NL 09-100315884 Revision nr.: -

Description of the product : Free-standing slide 1.95m, playground equipment in hardwood or INOX

Trademark, type : Boer Speeltoestellen
TOE SOL 030 256 (HHT)
TOE SOL 030 257 (RVS)

Name and address of the manufacturer : Boer Speeltoestellen
Hyacinthstraat 2
4255 HX Nieuwendijk

Name and address of the certificate holder : Boer Speeltoestellen
Hyacinthstraat 2
4255 HX Nieuwendijk

Certificate issued on the basis of the following requirements : Warenwetbesluit Attractie- en Speeltoestellen,
NEN-EN 1176-1:2008, NEN-EN 1176-3:2008

Test laboratory : None

Date and number of the laboratory report : None

Date of type-examination : 29 January 2010 - 9 February 2010

Annexes with this certificate : Report belonging to the type-examination certificate nr.: 100315884

Additional remarks : None

Conclusion : The playground equipment meets the requirements of the above specified European standard(s) and "Warenwetbesluit Attractie- en Speeltoestellen" taking into account any additional remarks mentioned above.

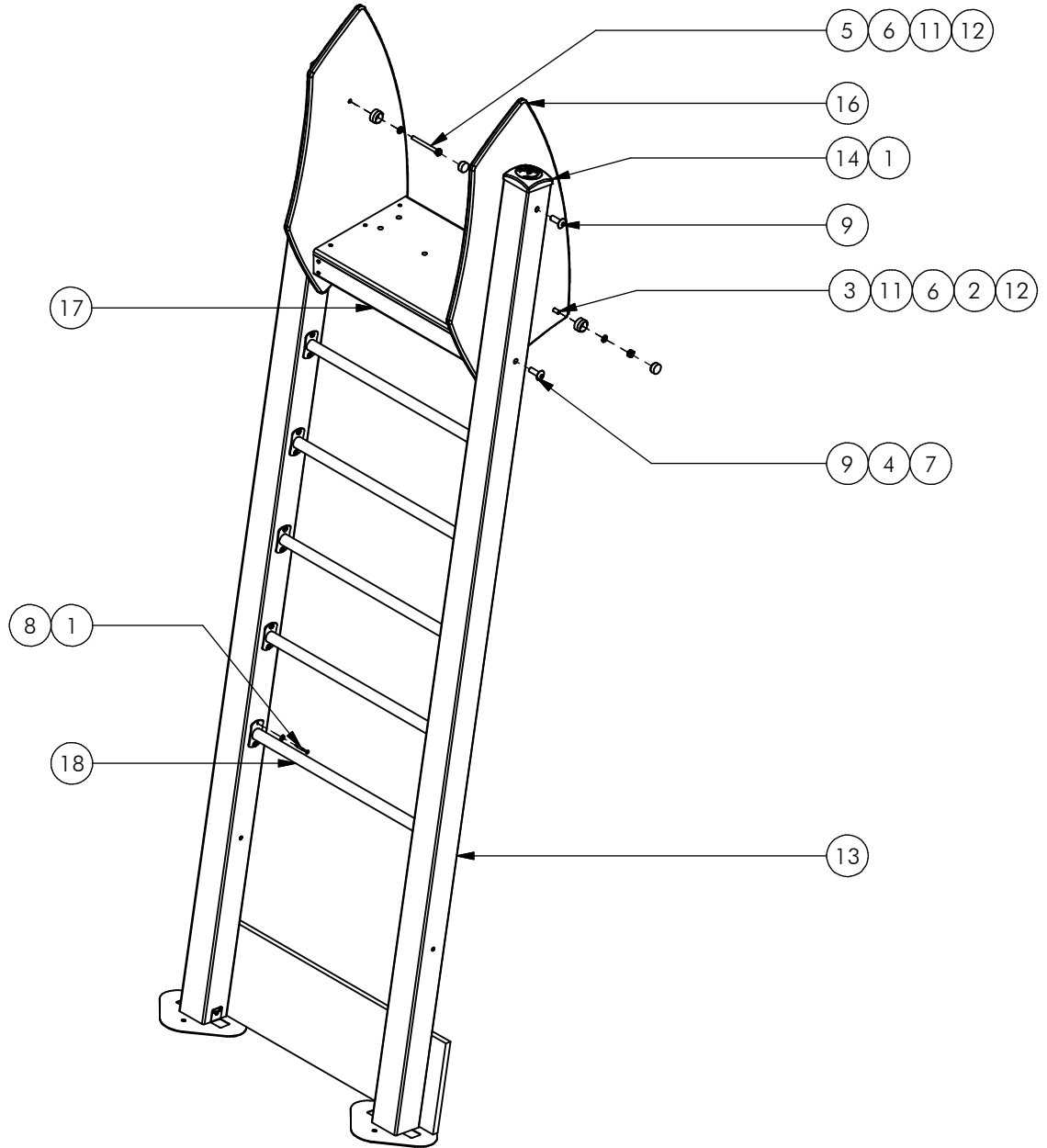
Issued in Amsterdam
Date of issue : 25 February 2010



Ir. V.M.A. Barendregt
LIFTINSTITUUT B.V.
Senior Officer Certification
& Technology



Drs. B. Mulder
LIFTINSTITUUT B.V.
Director Certification &
Inspection International



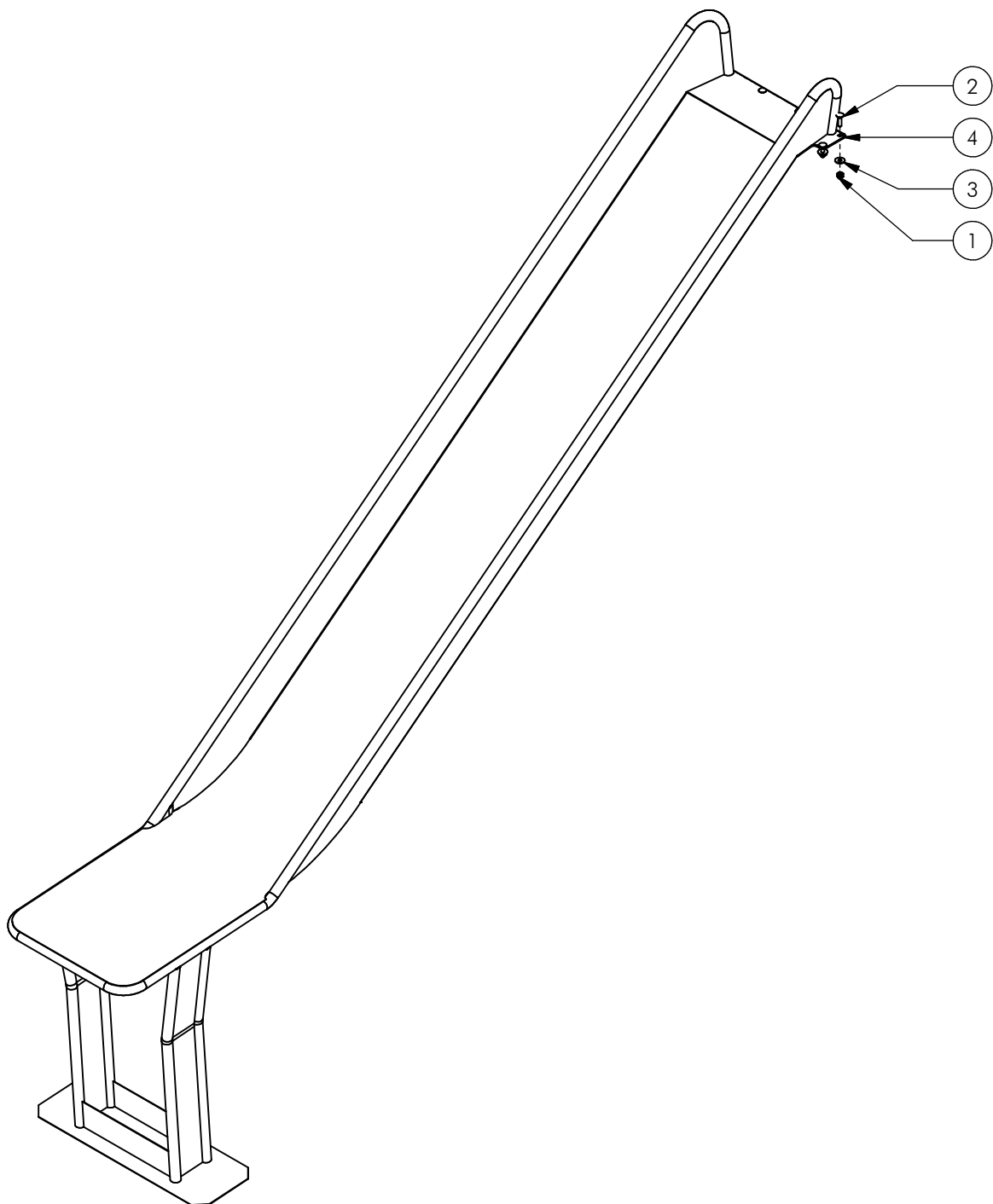
Nr	#	Type	Progr.	Volgnr	Bew.	Rev.	Benaming	Opmerking
1	34	BSR	002	005	050		Schroef Assy	5 x 50 - RVS A2-70
2	2	BSR	010	010	010		Borgmoer	M10 - RVS A2-70
3	2	BSR	021	010	080		Zeskantbout	M10 x 80 - RVS A2-70
4	2	BSR	021	010	140		Zeskantbout	M10 x 140 - RVS A2-70
5	2	BSR	021	010	100		Zeskantbout	M10 x 100 - RVS A2-70
6	4	BSR	030	010	002		SLUITRING	M10
7	8	BSR	035	010	030		CARROSSERIERING	M10 x 30 x 2,5
8	20	BSR	036	005	015		Facet ring	M5 - RVS A2-70
9	4	BSR	BUS	M10	040		DRAADBUS	M10 x 40
10	1	KST	APL	100	030		Ankerplaat	1000 x 300 mm
11	4	KST	DON	010	030		Bescherm dop M10-M12	Donut Rood
12	4	KST	DOP	010	030		Bescherm dop M10-M12	Dop rood
13	2	OHO	SOL	061	HHT		Staander HHT	Glijbaan 195 cm
14	2	OME	KAP	100	ZMK		PAALKAP 100	Zamak, RAL 5003
15	2	OME	VRB	903	VZP	C	Voetplaat	100 x 100
16	2	OPE	SOL	066	030	A	Zijwang	Glijbaan
17	1	SMD	SOL	003			Startplateau	vrijstaande glijbanen
18	5	SME	SOL	237	320		Systeembuis	Ladder glijbaan



Benaming Title Ladder glijbaan
 Opmerking Comment HHT 195 cm
 Datum Date 25-8-2015

Tekening Drawing

MOD SOL 030 538 A
 Samenstelling module Assembly module



Let op: toestel bij voorkeur niet met de glijbaan op het zuiden plaatsen.

Attention: it is advisable not to orient playground equipment with the slide facing south

Nr	#	Type	Progr.	Volgnr	Bew.	Rev.	Benaming	Opmerking
1	6	BSR	011	010	020		DOPMOER	BORG RVS M10
2	6	BSR	026	010	040		Slotbout	M10 x 40 - RVS A2-70
3	6	BSR	035	010	030		Carrosserie ring	M10 - RVS A2-70
4	1	SME	VRB	614	320	C	Glijbaan	195 cm



Benaming
Title: Glijbaan 195 cm

Opmerking
Comment: Module HHT

Datum
Date: 3-12-2008

Tekening
Drawing

MOD VRB HHT 193

Samenstelling module Assembly module