



**BOERPLAY**



# Adventure Play

## PSTE000.233

Slide



# PSTE000.233

Slide



1+



4 - 12



3.9 x 0.9 x 2.7 m



6.4 x 4.6 m



6.9 x 4.6 m



2.0 m

## Playfunctions

Sliding

## Material

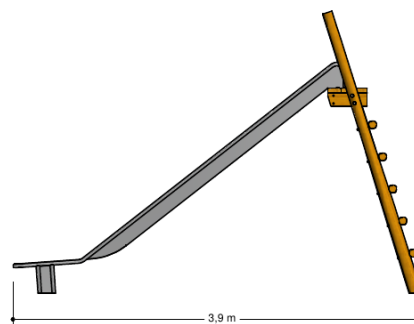
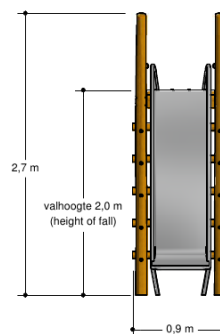
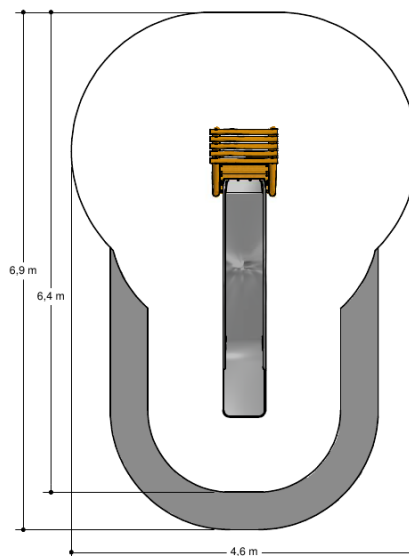
Made of irregularly shaped Acacia Robinia FSC certified wood. This European hardwood had a sustainability of class I according to EN 350 and is free of sapwood. Matching slides are stainless steel 304 quality polished stainless steel and all fastenings are A2 quality.

## Anchorage

Galvanized steel base plates

## Comments

The impact area must have impact absorbing properties belonging to the specified free height of fall. The obstacle-free zone shall be completely free of obstacles.



## Opvangzone Impact area

WAS, Dutch law

EN1176

## Obstakelvrije zone Obstacle free zone

WAS, Dutch law

EN1176

