

Adventure Play

PSTE000.232

Slide



PSTE000.232

Slide



1+



2 - 6



3.1 x 0.9 x 2.2 m



5.5 x 3.9 m



6.0 x 3.9 m



1.5 m

Playfunctions

Sliding

Material

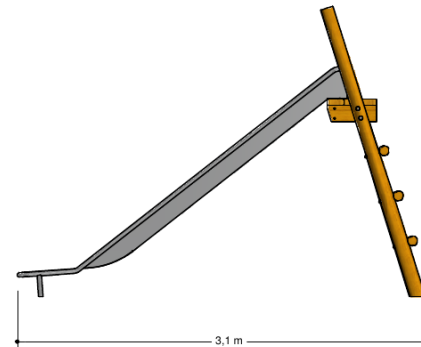
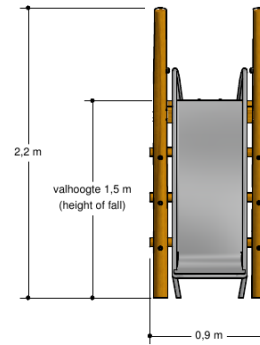
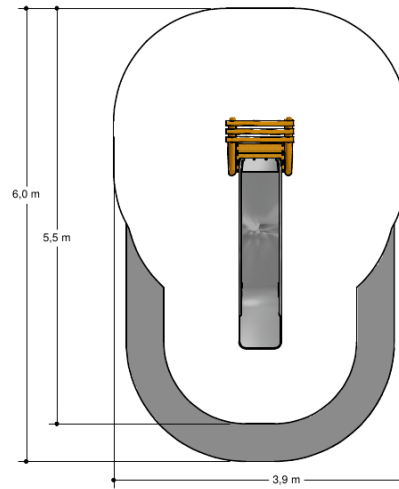
Made of irregularly shaped Acacia Robinia FSC certified wood. This European hardwood had a sustainability of class I according to EN 350 and is free of sapwood. Matching slides are stainless steel 304 quality polished stainless steel and all fastenings are A2 quality.

Anchorage

Galvanized steel base plates

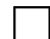
Comments

The impact area must have impact absorbing properties belonging to the specified free height of fall. The obstacle-free zone shall be completely free of obstacles.



Opvangzone

Impact area

 WAS, Dutch law

 EN1176

Obstakelvrije zone

Obstacle free zone

 WAS, Dutch law

 EN1176

