



Pioneer Play

SOLE030.261

Slide



SOLE030.261

Slide



1+



4 - 12



3.0 x 1.2 x 2.5 m



5.5 x 4.1 m



6.0 x 4.1 m



1.3 m

Playfunctions

Sliding, climbing, sitting

Material

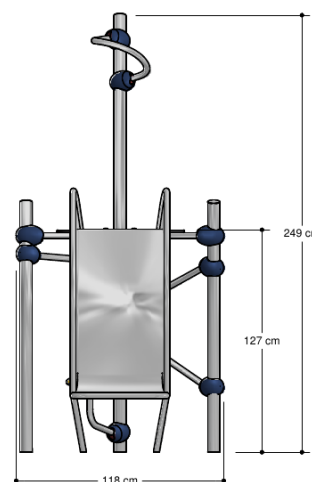
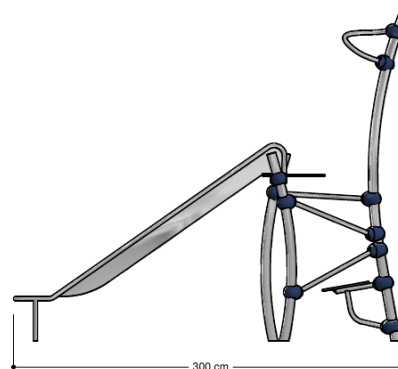
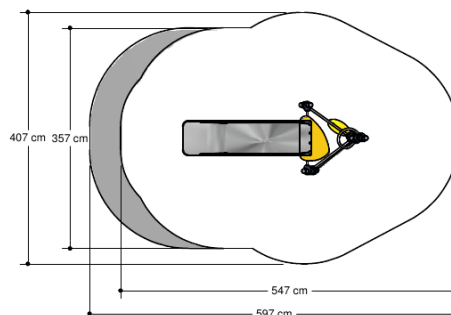
The basic material consists of only high quality stainless steel and plastics. All materials are attached with stainless steel fasteners.

Anchorage

The posts will be put 60 cm. in the ground. Depending on the soil concrete will be used.

Comments

If the soil does not contribute to the stability it may be necessary to add concrete.



Opvangzone

Impact area

 WAS, Dutch law

 EN1176

Obstakelvrije zone

Obstacle free zone

 WAS, Dutch law

 EN1176

