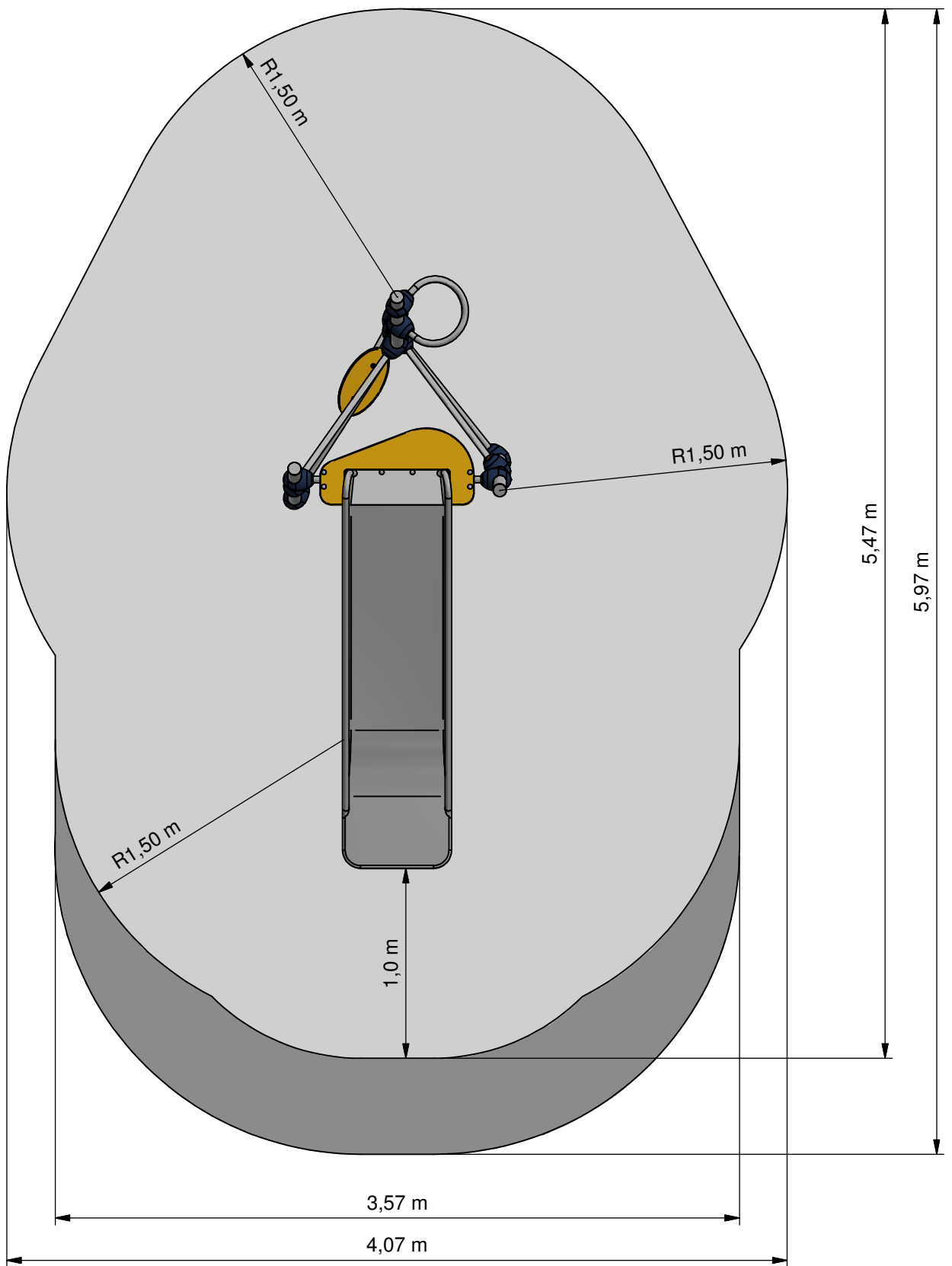




Slide



SOLE030.261



- Opvangzone
Impact area
- Obstakelvrije zone
Obstacle free zone

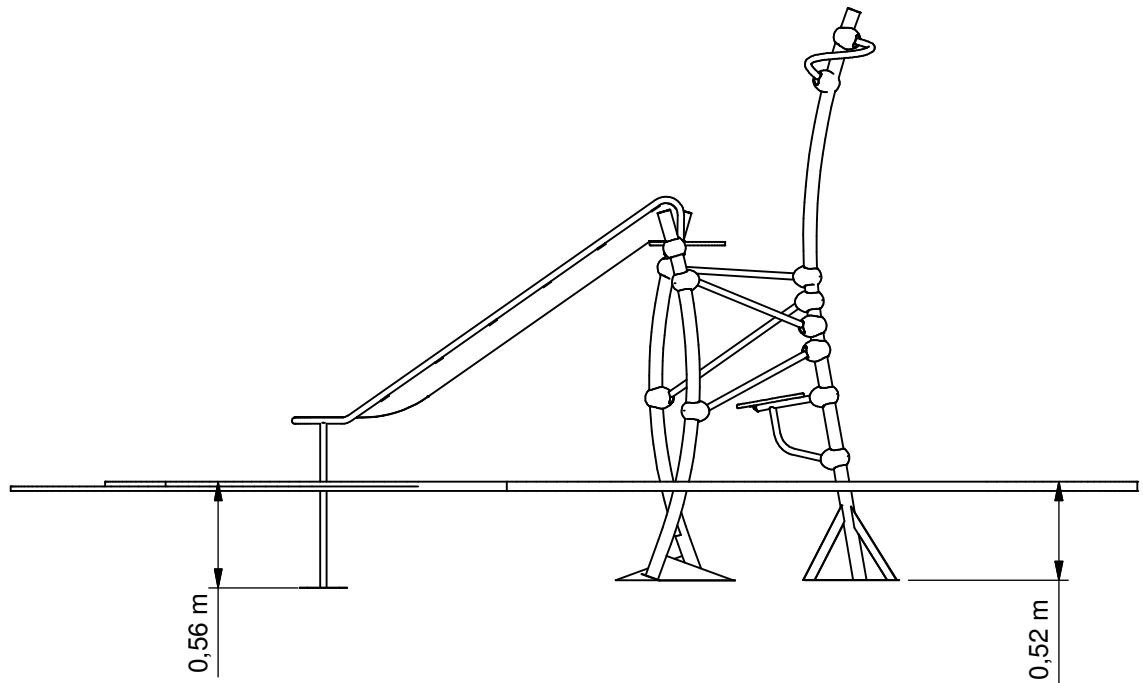
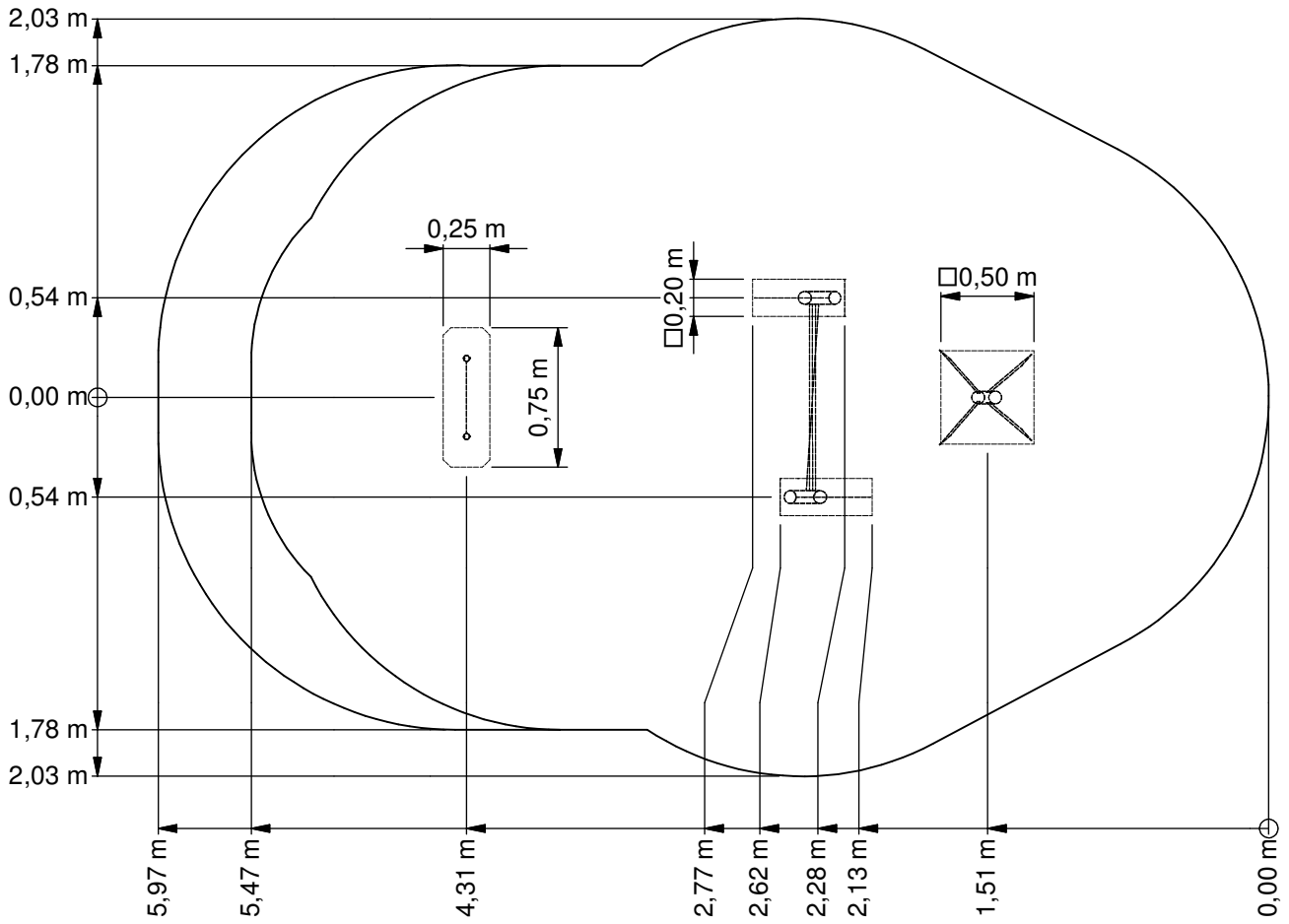


Benaming / Title: Pionier
 Opmerking / Comment: Glijbaan - 127 cm
 Datum / Date: 15-12-2011

Tekening / Drawing

TOE SOL 030 261

Obstakelvrije zone / Obstacle free zone



Benaming
Title Pionier

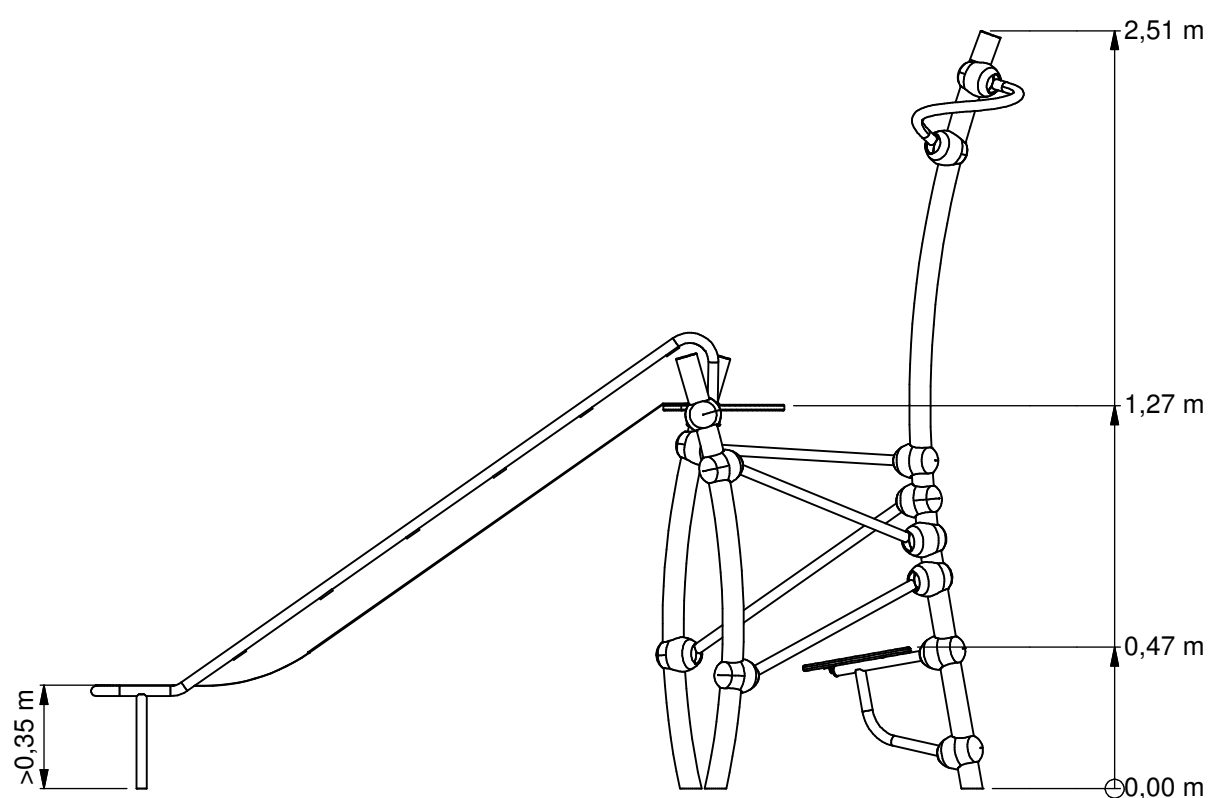
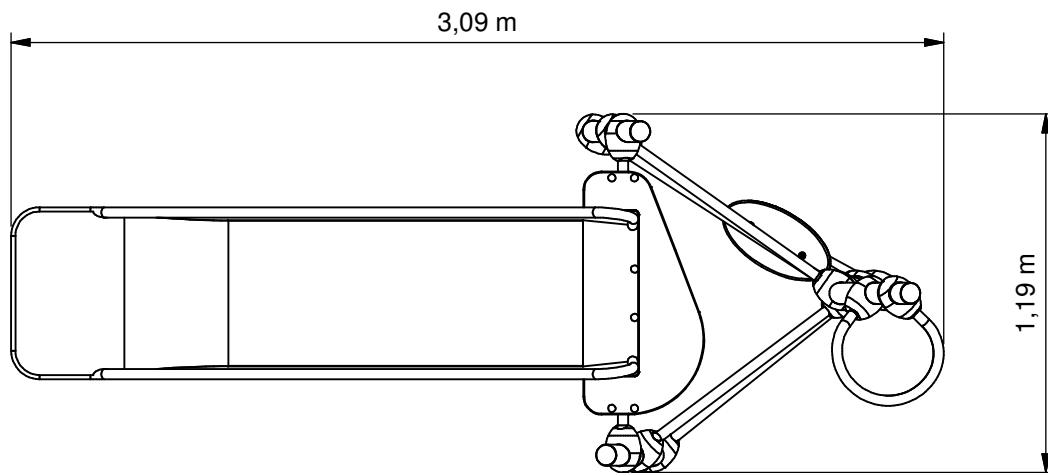
Opmerking
Comment Glijbaan - 127 cm

Datum
Date 15-12-2011

Tekening
Drawing

TOE SOL 030 261

Bodemplan Groundplan

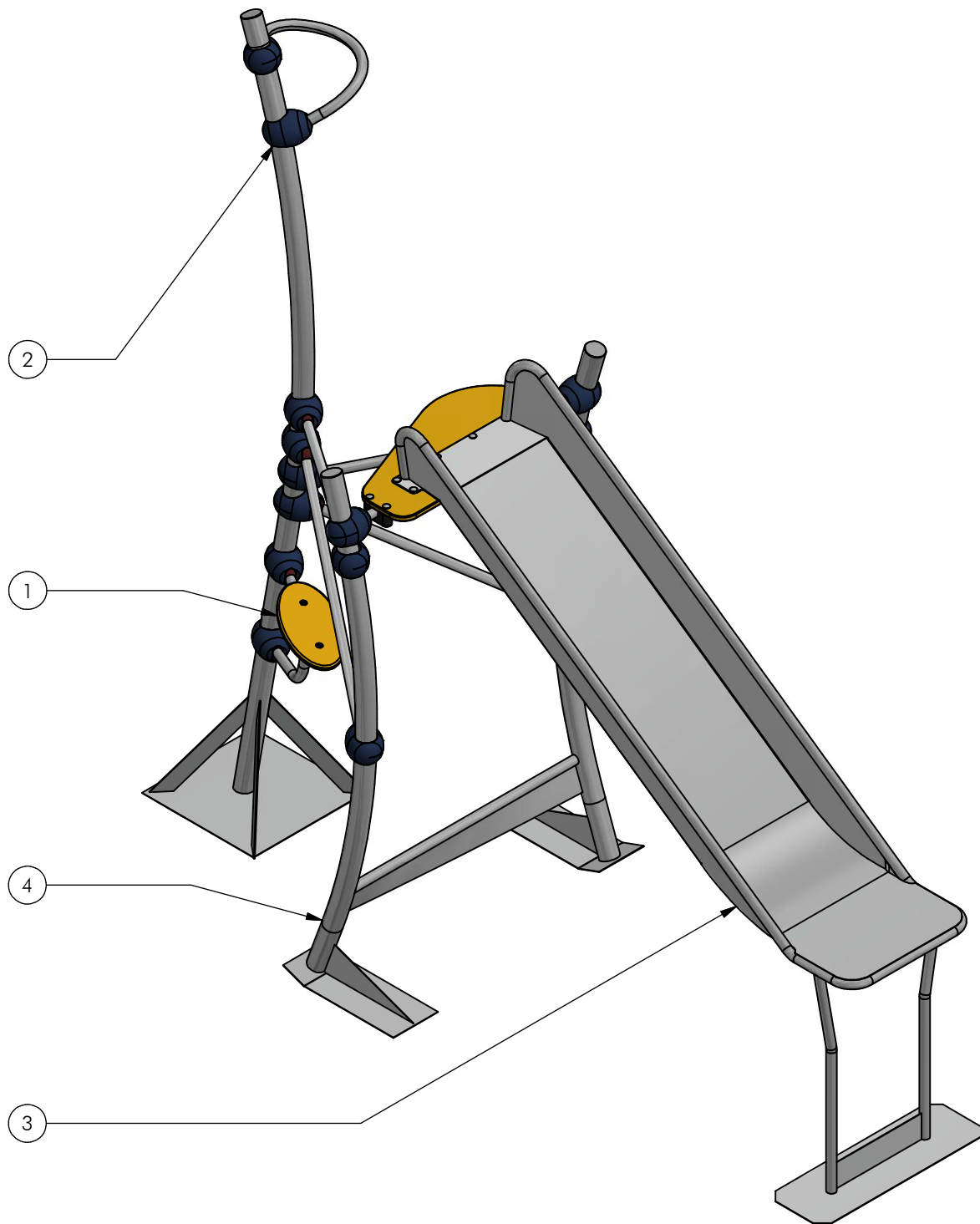


Benaming Title	Pionier
Opmerking Comment	Glijbaan - 127 cm
Datum Date	15-12-2011

Tekening
Drawing

TOE SOL 030 261

Afmetingen Dimensions



Nr	#	Type	Progr.	Volgnr	Bew.	Rev.	Benaming	Opmerking
1	1	MOD	PNR	323	000	A	Zitje	Recht
2	1	MOD	PNR	325	000		Wokkel	Enkel
3	1	MOD	PNR	511	000	A	Glijbaan 1,27m	Pionier
4	1	MOD	PNR	516	000		Toren	Glijbaan 1,27m



Benaming
Title Pionier

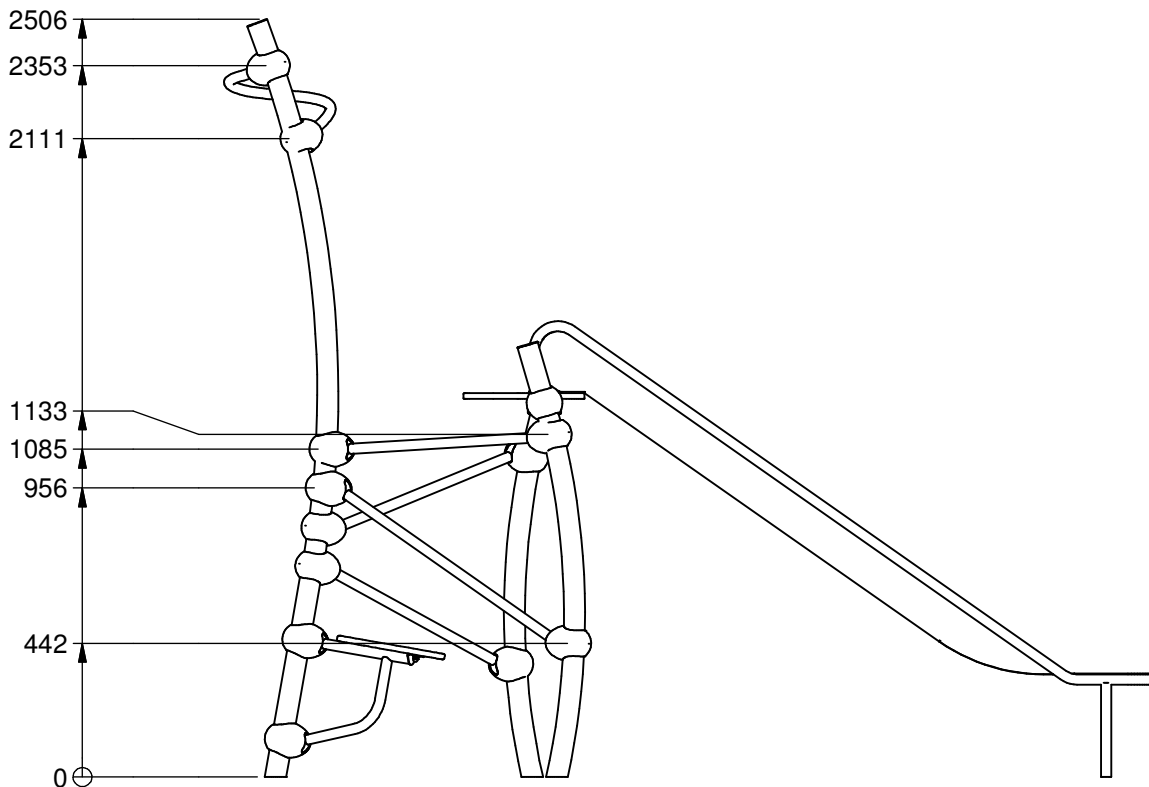
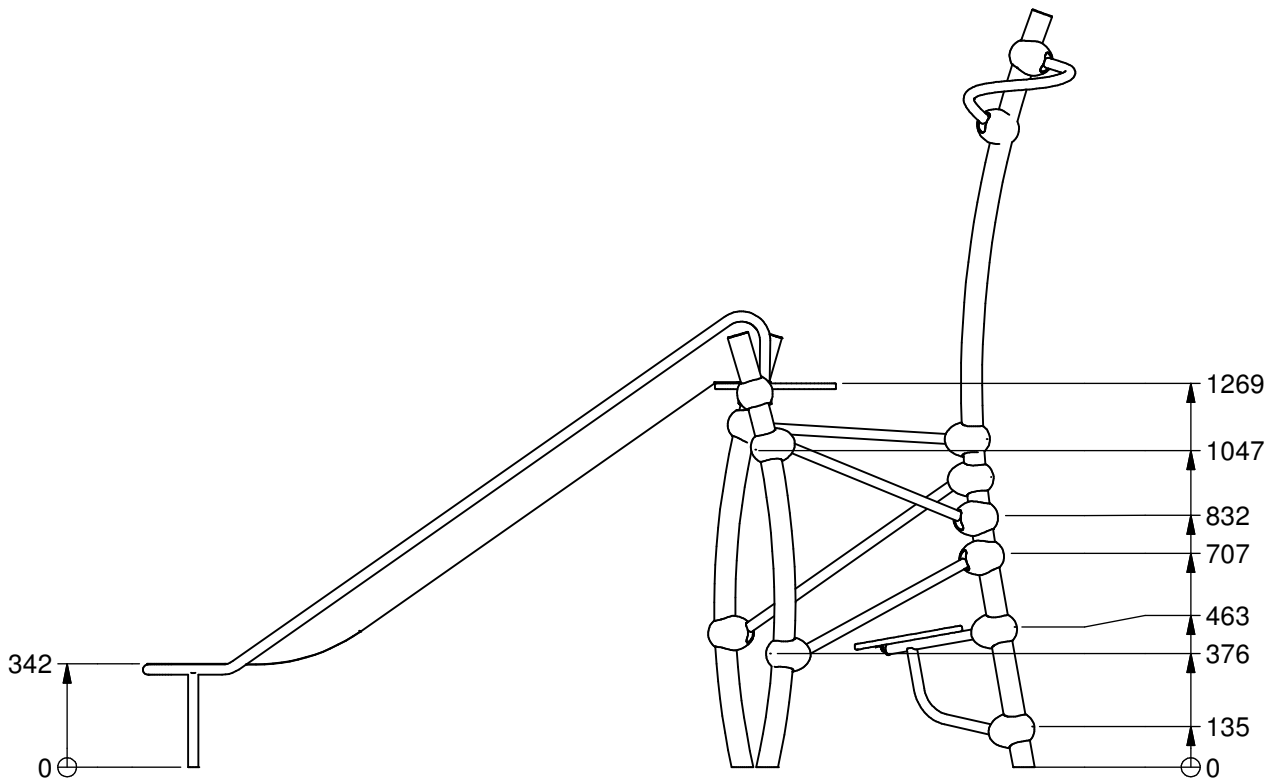
Opmerking
Comment Glijbaan - 127 cm

Datum
Date 15-12-2011

Tekening
Drawing

TOE SOL 030 261

Modules Modules



Benaming
Title Pionier

Opmerking
Comment Glijbaan - 127 cm

Datum
Date 15-12-2011

Tekening
Drawing

TOE SOL 030 261

Afmetingen Dimensions

SOLE030.261

Slide

LOGBOOK

(Onderstaand logboek kan gebruikt worden om te voldoen aan de eisen, gesteld in artikel 14 van het Warenwetbesluit Attractie- en Speeltoestellen)

Type indication	Pioneer Play
Product code	SOLE030.261
Name of equipment	Vrijstaande glijbaan
Maximum height of fall	1,3 m
Year of construction	2017
Certificate	100327117
inspection authority	Liftinstituut B.V. Buikslotermeerplein 381, A'dam - 1025 XE Amsterdam
Name manufacturer	BOERplay Hyacintstraat 2 - 4255 HX Nieuwendijk Phone: +31 (0)183 40 23 66 Fax: +31 (0)183 40 35 64
name installer	_____ _____
Description of equipment	Slide
Location of equipment	_____
Data about the owner of the play equipment	
Name:	_____
Address:	_____
Postcode and town:	_____
Contact person:	_____
Telephone number:	_____
Data about the administrator of the play equipment	
Name:	_____
Address:	_____
Postcode and town:	_____
Contact person:	_____
Telephone number:	_____

LOGBOOK

Inspection and maintenance intervals



Nr.	Inspection	Maintenance	months between inspections
1	Verify equipment's stability, junctions and missing parts. Inspect bolts, screws and nuts for absence, jams, corrosion and wear.	Add missing parts, secure joints, apply missing fixing agent and replace corroded parts.	1
2	Check suspension for wear.	Replace worn parts and/or remove non-functioning parts.	1
3	Inspect rotating parts such as hinges, rolling-element bearings, etc. for wear and acceptability.	Replace worn parts and/or remove non-functioning parts.	1
4	Check wood for splinters, unacceptable damage and signs of rot. Especially at ground level.	Repair damage. Replace affected wood. Smoothen splintered wood and sharp edges.	1
5	Inspect foundation for stability, tearing and coverage.	Restore foundation and covering material.	3
6	Examine rubber and synthetic parts for wear, damage and break.	Replace original parts.	3
7	Inspect metal for corrosion and damage in the coating.	Restore any damaged coating (after removing rust and applying primer).	6
8	Check ropes, cables, chains and nets for wear and damage. Steel cables and nets which are tensioned must be checked for tension.	Replace parts where necessary. Steel cables and nets must be tensioned.	3
9	Inspect equipment for unsafe changes and additions.	Remove unsafe additions and correct unsafe changes.	1
10	Inspect safety surfaces.	Restore and repair where necessary.	1

Remarks

1. If used intensively, all points require extra attention.
2. Extreme weather conditions and locations may require a higher inspection frequency. Discuss this with the supplier.
3. Vandalism-sensitive locations require stricter inspections, possibly daily.
4. Check the terrain regularly for items that do not belong there, are unsafe or may be used wrongly. Examples are poisonous plants, glass shards, etc. Frequency depends on strain.
5. Remember that bad maintenance leads to unsafe conditions and notably faster impoverishment of the playground area.
6. Replacement parts can be ordered at the manufacturer with the part numbers on the module drawing. Drawings can be found in de user guide.
7. The impact area shall be provided with impact attenuating surface according to the specified falling height.
8. This list is conform the CEN-standard "playground equipment and surfacing NEN-EN 1176-7".

TYPE-EXAMINATION CERTIFICATE

Acting under the "Warenwetbesluit Attractie- en Speeltoestellen" issued by Liftinstituut B.V.
commissioned by departmental order, no. 131136-106247-VGP van 4 juli 2013

Certificate nr. : NL 13-400-100327117 Revision nr.: -

Description of the product : Playground Equipment slide Pionier

Trademark, type : Boer Speeltoestellen SOL 030 261

Name and address of the manufacturer : Boer Speeltoestellen
Hyacintstraat 2
Nieuwendijk
The Netherlands



Name and address of the certificate holder : Boer Speeltoestellen
Hyacintstraat 2
Nieuwendijk
The Netherlands

Certificate issued on the basis of the following requirements : Warenwetbesluit Attractie- en Speeltoestellen,
NEN-EN 1176-1:2008, NEN-EN 1176-3:2008

Certificate based on the following standards :
Test laboratory : None

Date and number of the laboratory report : None

Date of type-examination : 4 December 2012 – 24 October 2013

Annexes with this certificate : Report belonging to the type-examination certificate
nr.: 100327117

Additional remarks : None

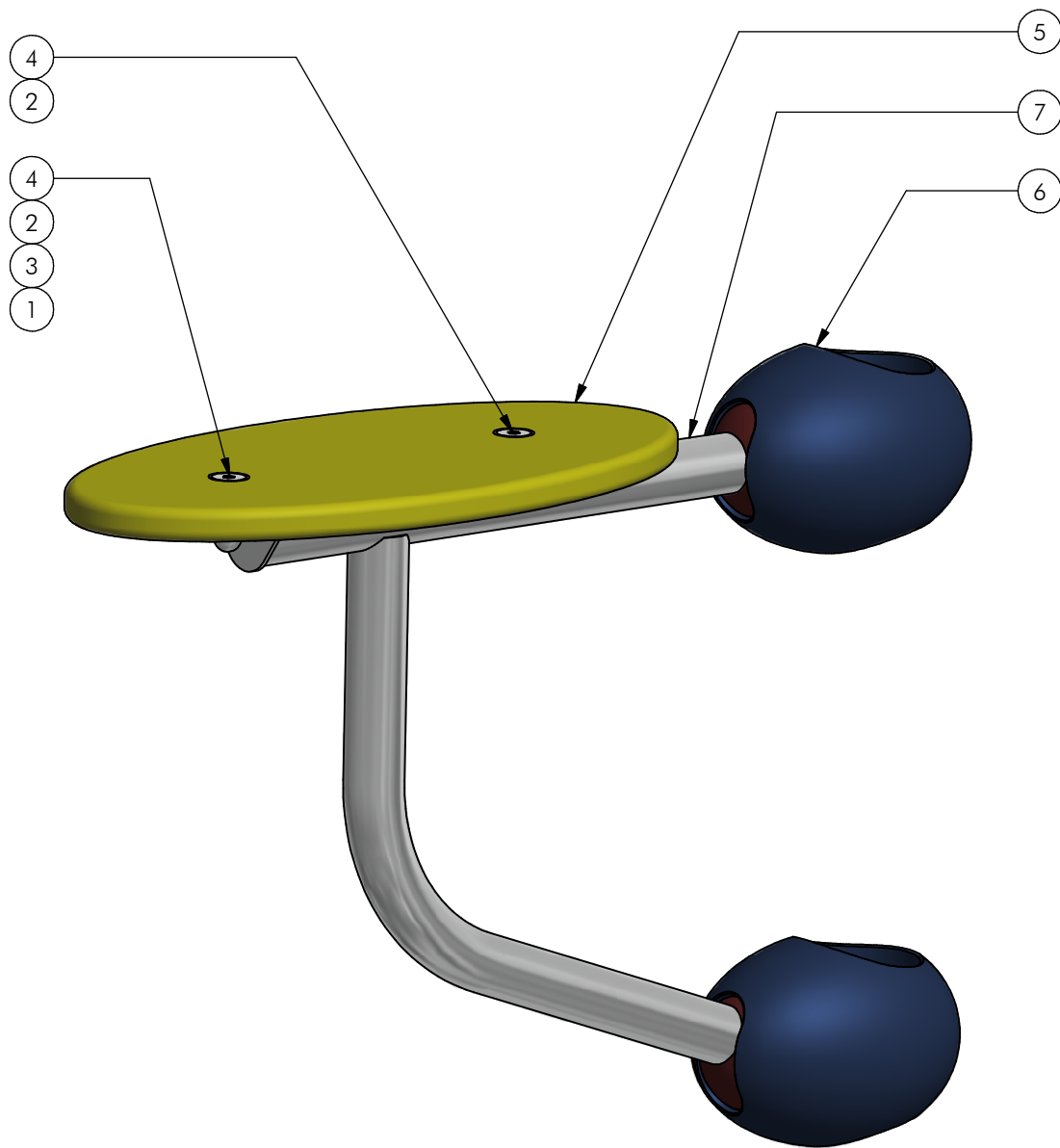
Conclusion : The playground equipment meets the requirements of the above specified European standard(s) and "Warenwetbesluit Attractie- en Speeltoestellen" taking into account any additional remarks mentioned above.

Issued in Amsterdam
Date of issue : 24 October 2013



ing. A.J. van Ommen
Manager Business Unit
Certification

Certification decision
by



Nr	#	Type	Progr.	Volgnr	Bew.	Rev.	Benaming	Opmerking
1	1	BSR	011	010	020		Borgdopmoer	M10 - RVS A2-70
2	2	BSR	024	010	030		Verzonken bout	M10 x 30 - RVS A2-70
3	1	BSR	030	010	002		SLUITRING	M10
4	2	KST	DOP	006	030		OPVULDOPJE	6 MM ROOD
5	1	OPE	PNR	006	010	A	ZITPLAAT	ZITJE
6	2	SMD	PNR	005	000		Submodule	EI 05
7	1	SME	PNR	025	320	F	Beugel zitje	Recht



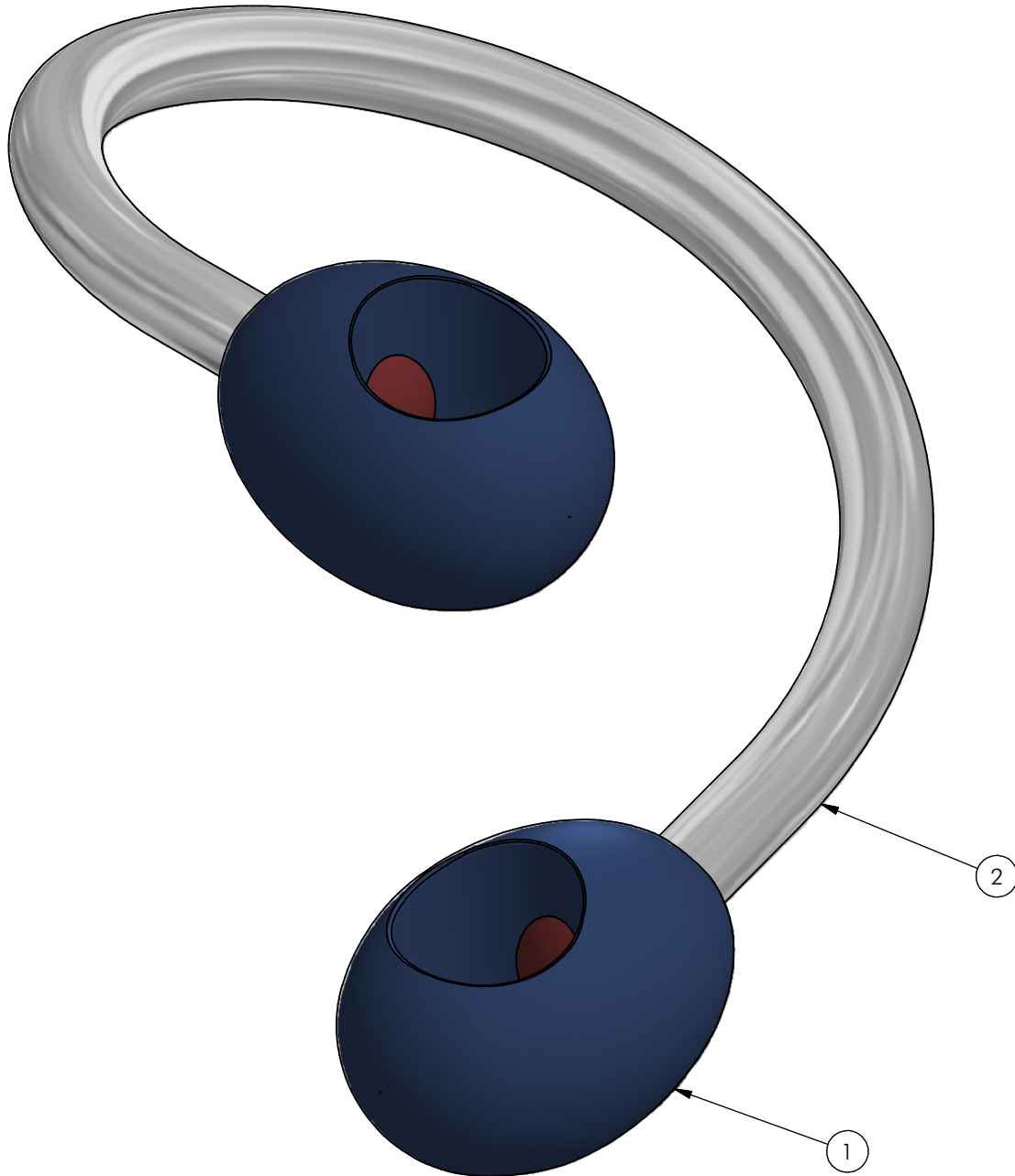
Benaming
Title Zitje

Opmerking
Comment Recht

Datum
Date 28-10-2013

Tekening
Drawing

MOD PNR 323 000 A
Samenstelling module Assembly module



2	1	OME	PNR	018	320	B	Wokkelbuis	Wokkel
1	2	SMD	PNR	005	000		Submodule	EI 05
POS	N	TYPE	PROJ.	NR.	BEH.	R	BENAMING	OPMERKING



Benaming
Title | Wokkel

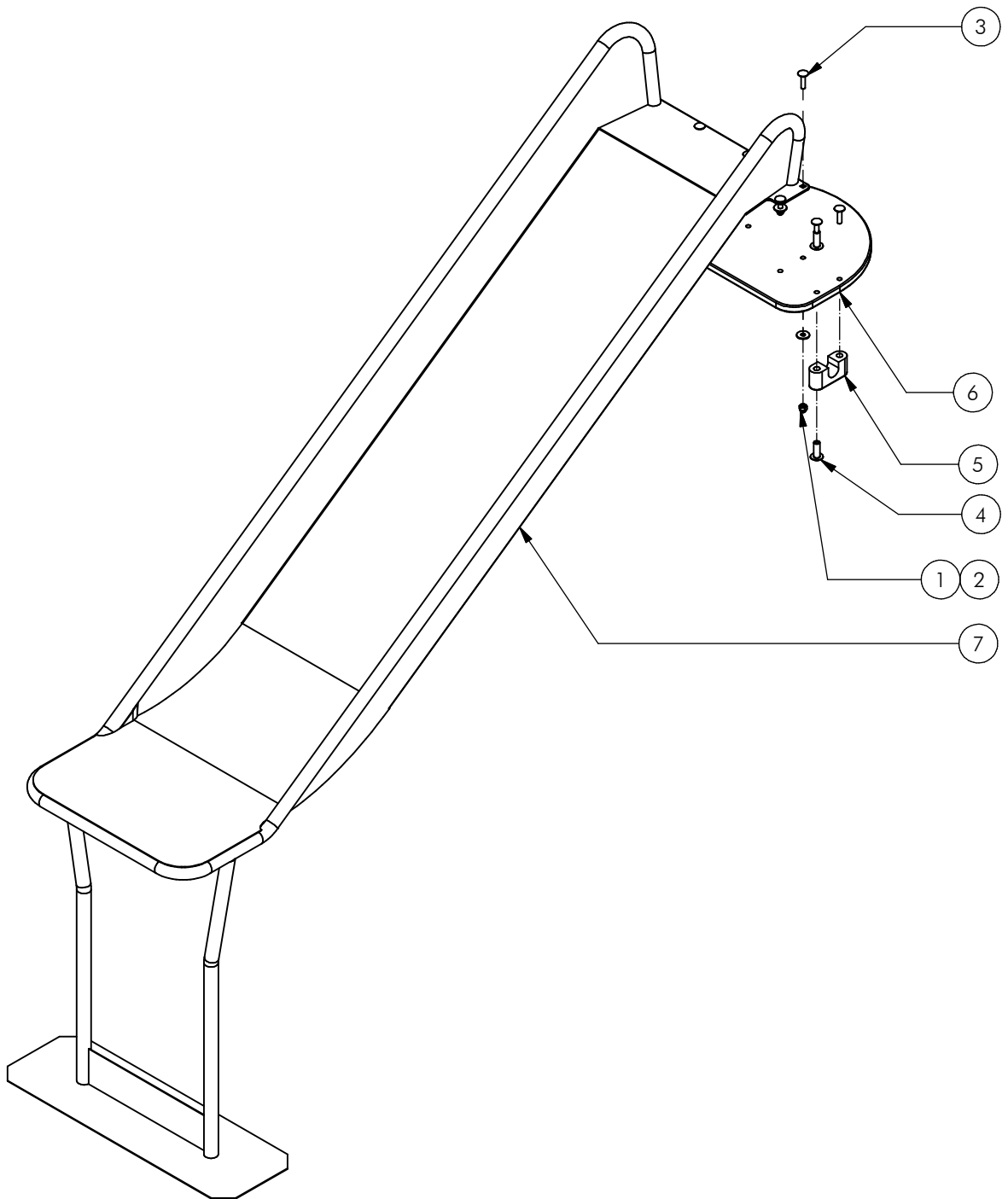
Opmerking
Comment | Enkel

Datum
Date | 9-1-2009

Tekening
Drawing

MOD PNR 325 000

Samenstelling module *Assembly module*



POS	N	TYPE	PROJ.	NR.	BEH.	R	BENAMING	OPMERKING
1	6	BSR	011	010	020		DOPMOER	BORG RVS M10
2	6	BSR	035	010	030		CARROSSIERIERING	M10 x 30 x 2,5
3	10	BSR	042	010	040		Slotbout	M10 x 40 - RVS A2-70
4	5	BSR	BUS	M10	040		Draadbus	M10 x 40 - RVS A2-70
5	2	KST	PNR	009	POM	A	Klemblok	Trespa
6	1	OPE	PNR	015	010	D	Startplatform	Glijbaan Pionier
7	1	SME	VRB	612	320	A	Glijbaan	127 cm



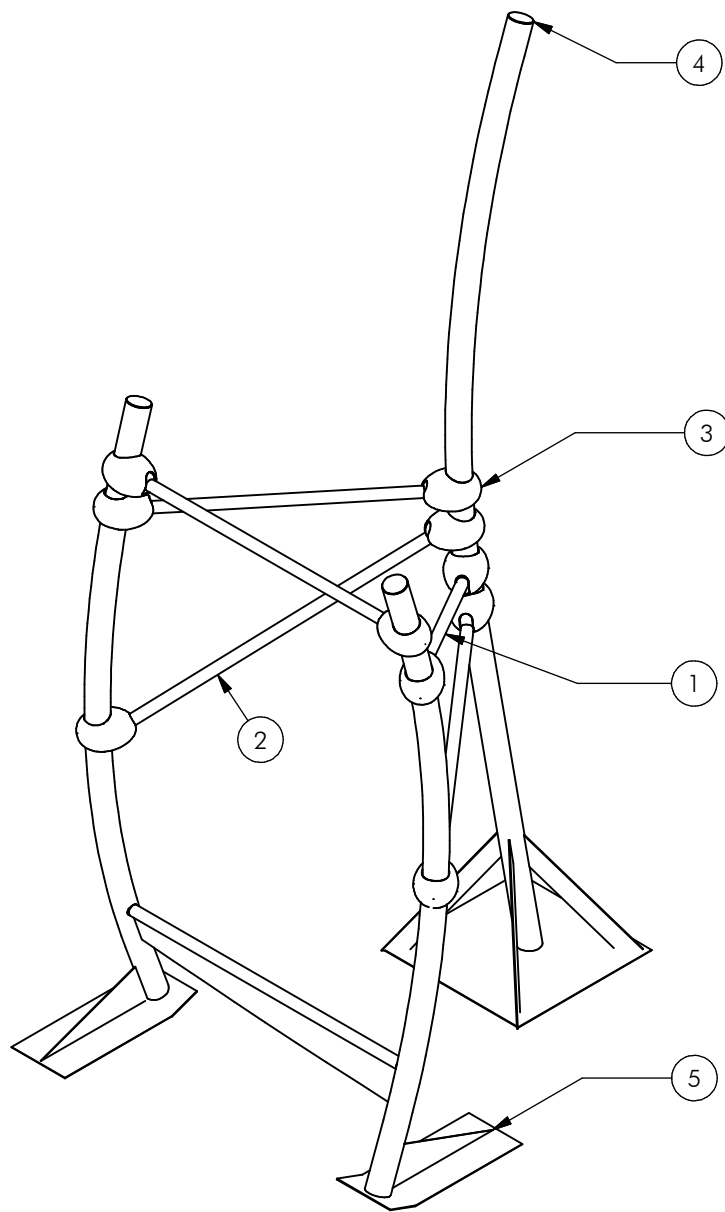
Benaming
Title | Glijbaan 1,27m

Opmerking
Comment | Pionier

Datum
Date | 28-10-2013

Tekening
Drawing

MOD PNR 511 000 A
Samenstelling module *Assembly module*



POS	N	TYPE	PROJ.	NR.	BEH.	R	BENAMING	OPMERKING
1	3	OME	PNR	130	080		Klimstang PNR 33.7x2	Lengte 800 mm HOH
2	1	OME	PNR	130	100		Klimstang PNR 33.7x2	Lengte 1000 mm HOH
3	10	SMD	PNR	005	000		Submodule	EI 05
4	1	SME	PNR	067	320		Achterstaander	Glijbaan 1,27m
5	1	SME	PNR	201	320	A	Duikel frame	115 cm



Benaming
Title | Toren
Opmerking
Comment | Glijbaan 1,27m
Datum
Date | 3-8-2009

Tekening
Drawing

MOD PNR 516 000

Samenstelling module *Assembly module*