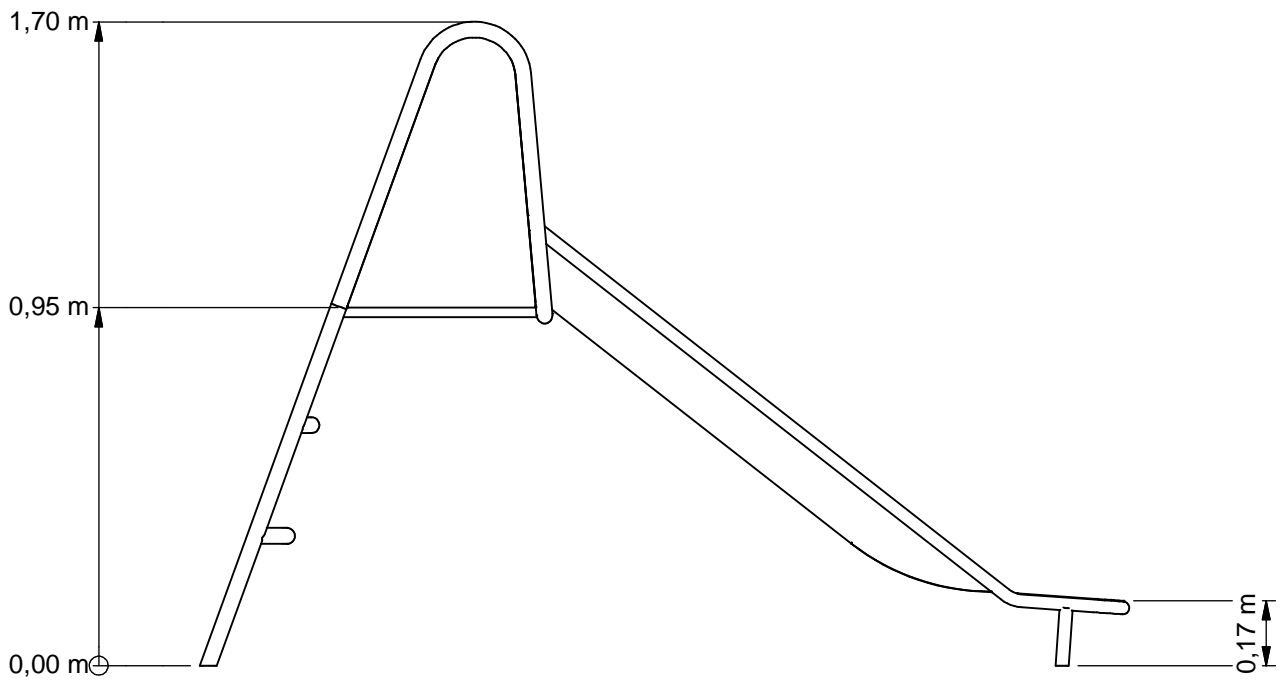
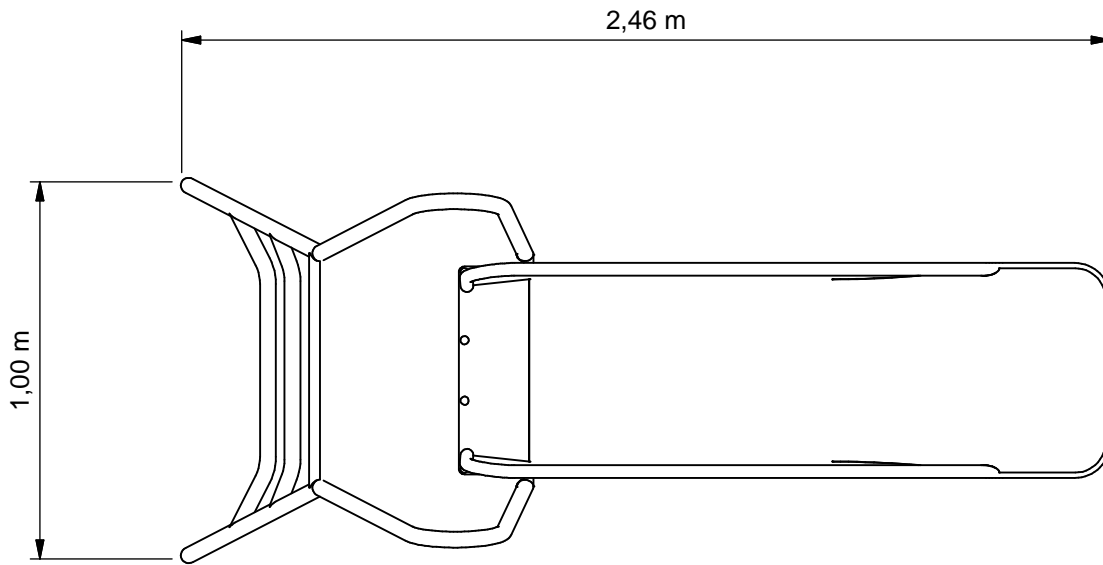




Slide 1m

CSPE507.320



Benaming
Title | Glijbaan 1 m

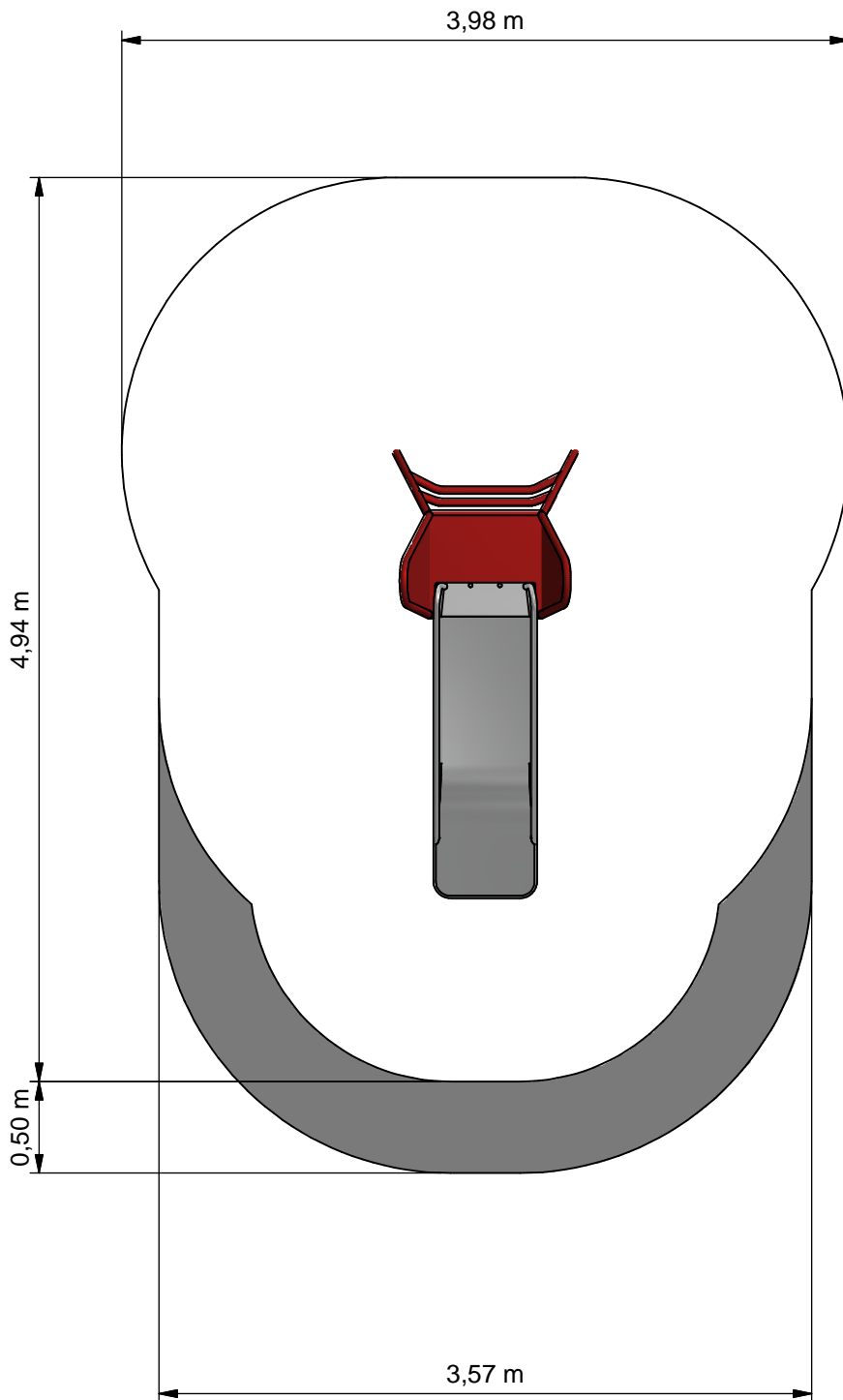
Opmerking
Comment | Classic Play New

Datum
Date | 2-3-2015

Tekening
Drawing

TOE CSP 507 320

Hoofdafmetingen *Main dimensions*



- Opvangzone
Impact area
- Obstakelvrije zone
Obstacle free zone

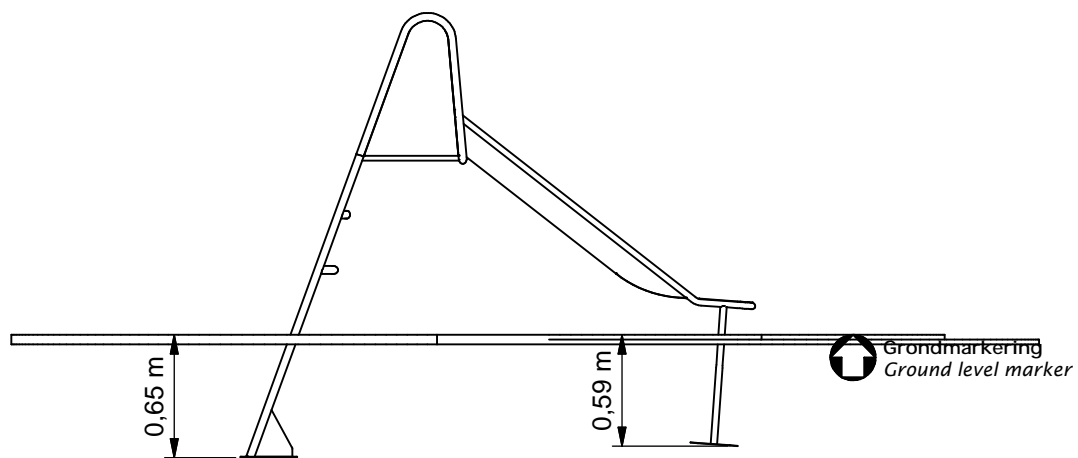
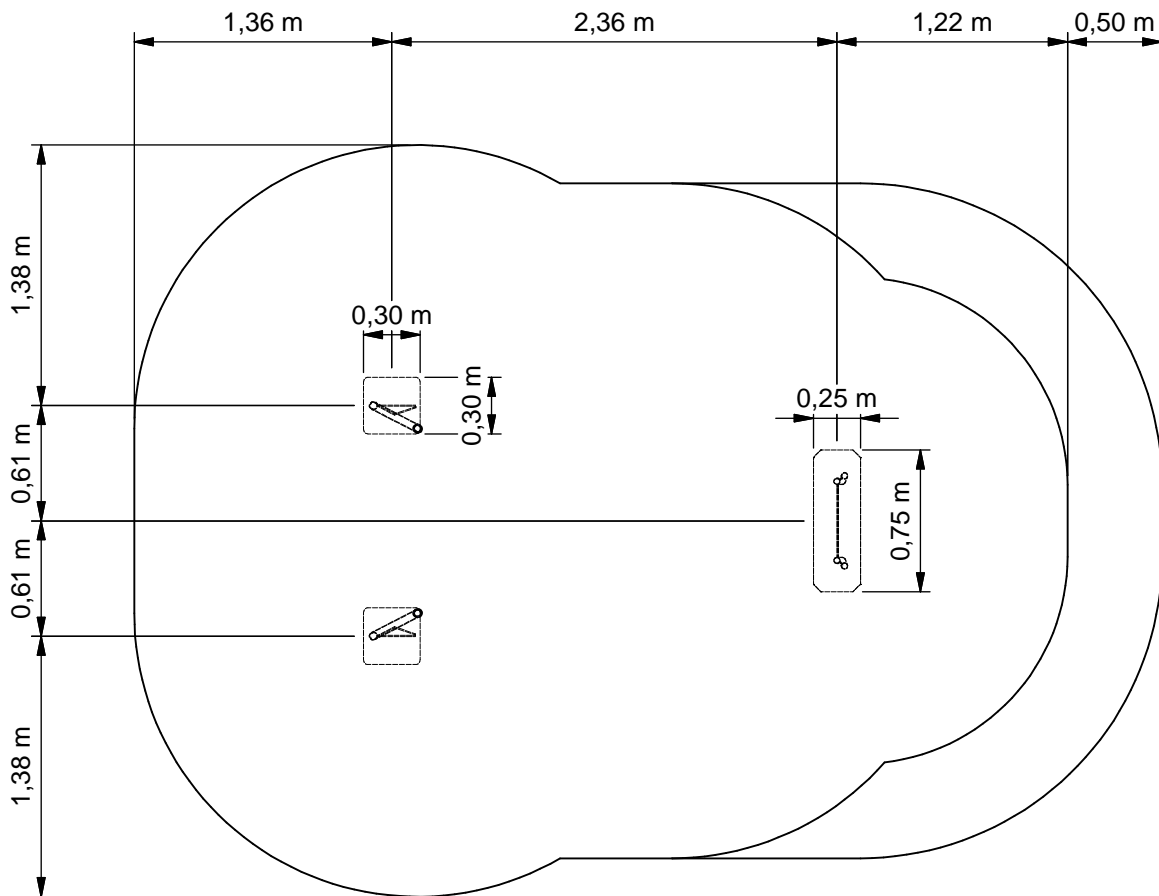


Benaming / Title: Glijbaan 1 m
 Opmerking / Comment: Classic Play New
 Datum / Date: 2-3-2015

Tekening / Drawing

TOE CSP 507 320

Obstakelvrije zone *Obstacle free zone*



Benaming
Title | Glijbaan 1m
Opmerking
Comment | Classic Play New
Datum
Date | 2-3-2015

Tekening
Drawing

TOE CSP 507 320

Bodemplan *Groundplan*

Geleverde modules:

Zie tabel

Supplied modules:

See table

Montageinstructie:

- De hoofdmaten geven de maten van de standers en vloeren aan
- De detailtekeningen geven specifiek de maten van de verbindingen aan
- De modules met buizen zijn op de tekeningen bemaat op bovenkant kopplaat
- Overige modules zijn bemaat op de bovenkant (klimwanden, paalkoppen, etc.)

Assembly instruction:

- The main dimensions indicate the dimensions of the posts and floors
- The detailed dimensions show the specific dimensions of the connections
- The modules which contain tubes are dimensioned at the top of the flanges
- Other modules are dimensioned at the top (climbing walls, caps for the posts, etc.)

Montagevolgorde:

- 1 - Graaf de gaten volgens het bodemplan
- 2 - Plaats 1
- 3 - Controleer of het toestel voldoet aan de afmetingen zoals op blad 'afmetingen'
- 4 - Dicht de gaten en verdicht het zand

Assembly sequence:

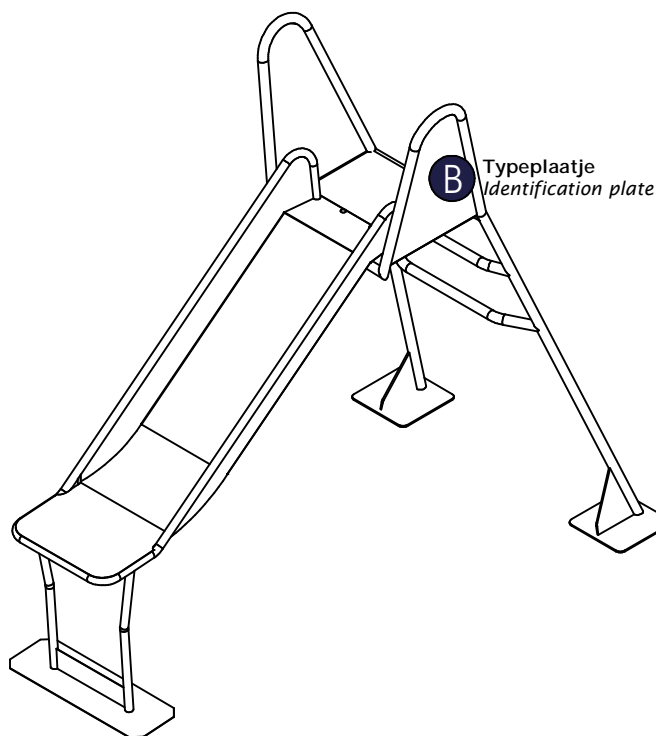
- 1 - Dig the holes according to the ground plan
- 2 - Place 1
- 3 - Check that the equipment conforms to the dimensions shown on sheet 'dimensions'
- 4 - Close the holes and compact the sand

Controles:

- 1 - Correcte opbouw en alle bevestigingsmiddelen
- 2 - Controleer de afmetingen van de valbodem t.o.v. het toestel
- 3 - Controleer hoogte uitloop <200mm

Checks:

- 1 - Correct assembly and all the fasteners
- 2 - Check the dimensions of the safety area with regard to the play equipment
- 3 - Check height of outlet <200mm



Nr	#	Type	Progr.	Volgnr	Bew.	Rev.	Benaming	Opmerking
1	1	MOD	CSP	018	320		Glijbaan	Classic play 1 m



Benaming
Title | Glijbaan 1 m

Opmerking
Comment | Classic Play New

Datum
Date | 2-3-2015

Tekening
Drawing

TOE CSP 507 320

Modules Modules

CSPE507.320

Slide 1m

LOGBOOK

(Onderstaand logboek kan gebruikt worden om te voldoen aan de eisen, gesteld in artikel 14 van het Warenwetbesluit Attractie- en Speeltoestellen)

Type indication	Classic Play
Product code	CSPE507.320
Name of equipment	Glijbaan 1m met RVS glijgoot
Maximum height of fall	1,0 m
Year of construction	2017
Certificate	034946
inspection authority	TUV Nederland QA BV De Waal 21c, Best - 5684 PH Best
Name manufacturer	BOERplay Hyacintstraat 2 - 4255 HX Nieuwendijk Phone: +31 (0)183 40 23 66 Fax: +31 (0)183 40 35 64
name installer	_____ _____
Description of equipment	Slide 1m
Location of equipment	_____
Data about the owner of the play equipment	
Name:	_____
Address:	_____
Postcode and town:	_____
Contact person:	_____
Telephone number:	_____
Data about the administrator of the play equipment	
Name:	_____
Address:	_____
Postcode and town:	_____
Contact person:	_____
Telephone number:	_____

LOGBOOK

Inspection and maintenance intervals



Nr.	Inspection	Maintenance	months between inspections
1	Verify equipment's stability, junctions and missing parts. Inspect bolts, screws and nuts for absence, jams, corrosion and wear.	Add missing parts, secure joints, apply missing fixing agent and replace corroded parts.	1
2	Check suspension for wear.	Replace worn parts and/or remove non-functioning parts.	1
3	Inspect rotating parts such as hinges, rolling-element bearings, etc. for wear and acceptability.	Replace worn parts and/or remove non-functioning parts.	1
4	Check wood for splinters, unacceptable damage and signs of rot. Especially at ground level.	Repair damage. Replace affected wood. Smoothen splintered wood and sharp edges.	1
5	Inspect foundation for stability, tearing and coverage.	Restore foundation and covering material.	3
6	Examine rubber and synthetic parts for wear, damage and break.	Replace original parts.	3
7	Inspect metal for corrosion and damage in the coating.	Restore any damaged coating (after removing rust and applying primer).	6
8	Check ropes, cables, chains and nets for wear and damage. Steel cables and nets which are tensioned must be checked for tension.	Replace parts where necessary. Steel cables and nets must be tensioned.	3
9	Inspect equipment for unsafe changes and additions.	Remove unsafe additions and correct unsafe changes.	1
10	Inspect safety surfaces.	Restore and repair where necessary.	1

Remarks

1. If used intensively, all points require extra attention.
2. Extreme weather conditions and locations may require a higher inspection frequency. Discuss this with the supplier.
3. Vandalism-sensitive locations require stricter inspections, possibly daily.
4. Check the terrain regularly for items that do not belong there, are unsafe or may be used wrongly. Examples are poisonous plants, glass shards, etc. Frequency depends on strain.
5. Remember that bad maintenance leads to unsafe conditions and notably faster impoverishment of the playground area.
6. Replacement parts can be ordered at the manufacturer with the part numbers on the module drawing. Drawings can be found in de user guide.
7. The impact area shall be provided with impact attenuating surface according to the specified falling height.
8. This list is conform the CEN-standard "playground equipment and surfacing NEN-EN 1176-7".

Warenwet
Certificaat van Typeonderzoek
Type Examination Certificate

afgegeven door issued by
TÜV Nederland QA BV



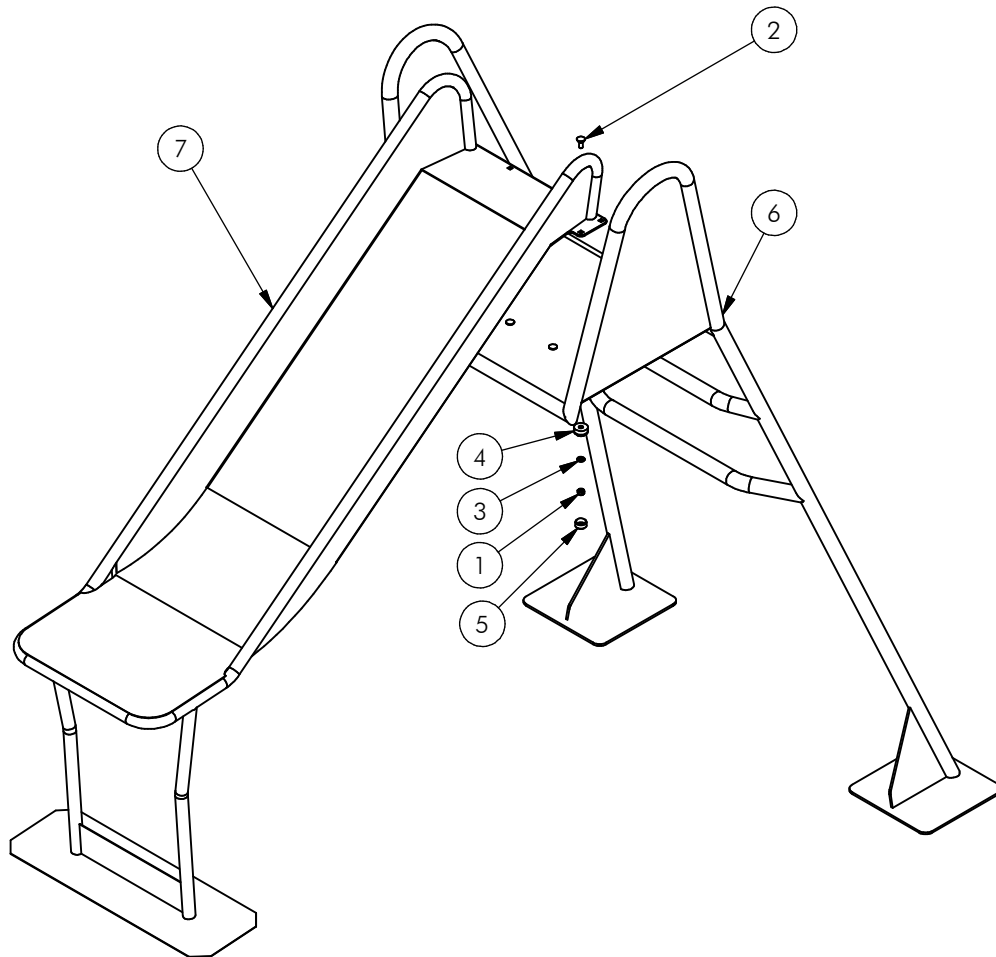
aangewezen bij ministeriële beschikking van 4 mei 2012, nr. VGP 3113590
 commissioned by departmental order of 4 May 2012, no. VGP 3113590

Certificaat nr. Certificate nr.	034946TC_20130913	Dossiernr. File nr.	034946TC
Productomschrijving Product description	Glijbaan 1m / 1,5 m / 2m		
Evt. nadere aanduidingen Further indications	Classic Play		
voor nadere informatie zie bijbehorend rapport met gelijkloidend dossiernr. for further information see associated report with identical file nr.			
Eigenaar / certificaathouder en adres Owner/certificate holder and address	Boer Speeltoestellen B.V. Hyacintstraat 2 4255 HX Nieuwendijk		
Soort toestel Category of equipment	Speeltoestel / Playground equipment		
Fabrikant Manufacturer	Boer Speeltoestellen B.V. Hyacintstraat 2 4255 HX Nieuwendijk		
Type/Serienummer Type/Serial number	CSP.302.507/08/09 /	in te vullen door de fabrikant to be filled out by the manufacturer	
Jaar van fabricage Year of construction	vanaf 2013 since		
Leverancier Supplier	Boer Speeltoestellen B.V. Hyacintstraat 2 4255 HX Nieuwendijk		
Jaar van levering Year of supply	in te vullen door de leverancier to be filled out by the supplier		
Datum keuring Date of examination	22-04-2013 - 13-09-2013		

TÜV Nederland QA BV, de Waal 21C, NL-5684 PH Best verklaart, dat het bovenaangehaalde toestel voldoet aan de vervaardigingvoorschriften genoemd in het Warenwetbesluit attractie- en speeltoestellen (met als leidraad de normatieve documenten NEN-EN 1176:2008).

TÜV Nederland QA BV declares that the here above mentioned equipment meets the safety and health requirements mentioned in the Dutch law "Warenwetbesluit attractie- en speeltoestellen" (guided by normative documents EN 1176:2008).

Namens het bestuur, For the board, A.C. Boon Directeur	
---------------------------------------------------------------------	--



Let op: toestel bij voorkeur niet met de glijbaan op het zuiden plaatsen.

Attention: it is advisable not to orient playground equipment with the slide facing south

Nr	#	Type	Progr.	Volgnr	Bew.	Rev.	Benaming	Opmerking
1	6	BSR	010	010	010		Borgmoer	M10 - RVS A2-70
2	6	BSR	026	010	025		Slotbout	M10 x 25 - RVS A2-70
3	6	BSR	030	010	002		Sluitring	M10 - RVS A2-70
4	6	KST	DON	010	060		Beschermcap M10-M12	Donut zwart
5	6	KST	DOP	010	060		Beschermcap M10-M12	Dop zwart
6	1	SME	CSP	015	320		Trap glijbaan	1m
7	1	SME	VRB	611	320	B	Glijbaan	93 cm



Benaming
Title | Glijbaan

Opmerking
Comment | Classic play 1m

Datum
Date | 27-2-2015

Tekening
Drawing

MOD CSP 018 320

Samenstelling module Assembly module