



# Adventure Play

## PSTE000.230

Slide



# PSTE000.230

Slide



1+



2 - 6



2.1 x 0.9 x 1.6 m



4.6 x 3.9 m



5.1 x 3.9 m



1.0 m

## Material

Made of irregularly shaped Acacia Robinia FSC certified wood. This European hardwood had a sustainability of class I according to EN 350 and is free of sapwood.

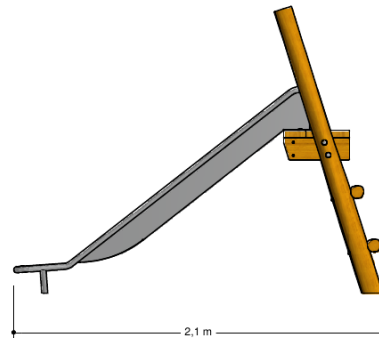
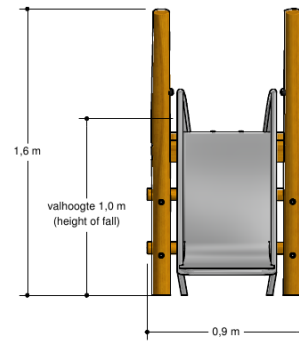
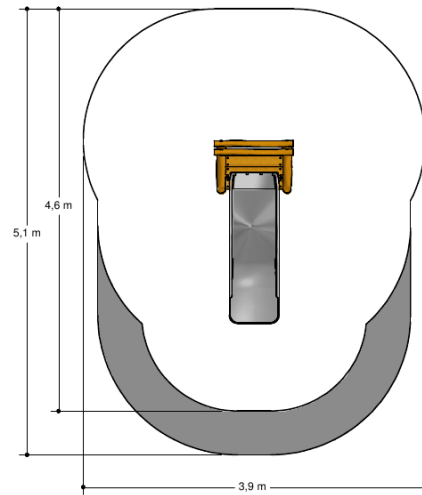
Matching slides are stainless steel 304 quality polished stainless steel and all fastenings are A2 quality.

## Anchorage


Galvanized steel base plates

## Comments

The impact area must have impact absorbing properties belonging to the specified free height of fall. The obstacle-free zone shall be completely free of obstacles.




## Opvangzone Impact area

 WAS, Dutch law

 EN1176

## Obstakelvrije zone Obstacle free zone

 WAS, Dutch law

 EN1176

