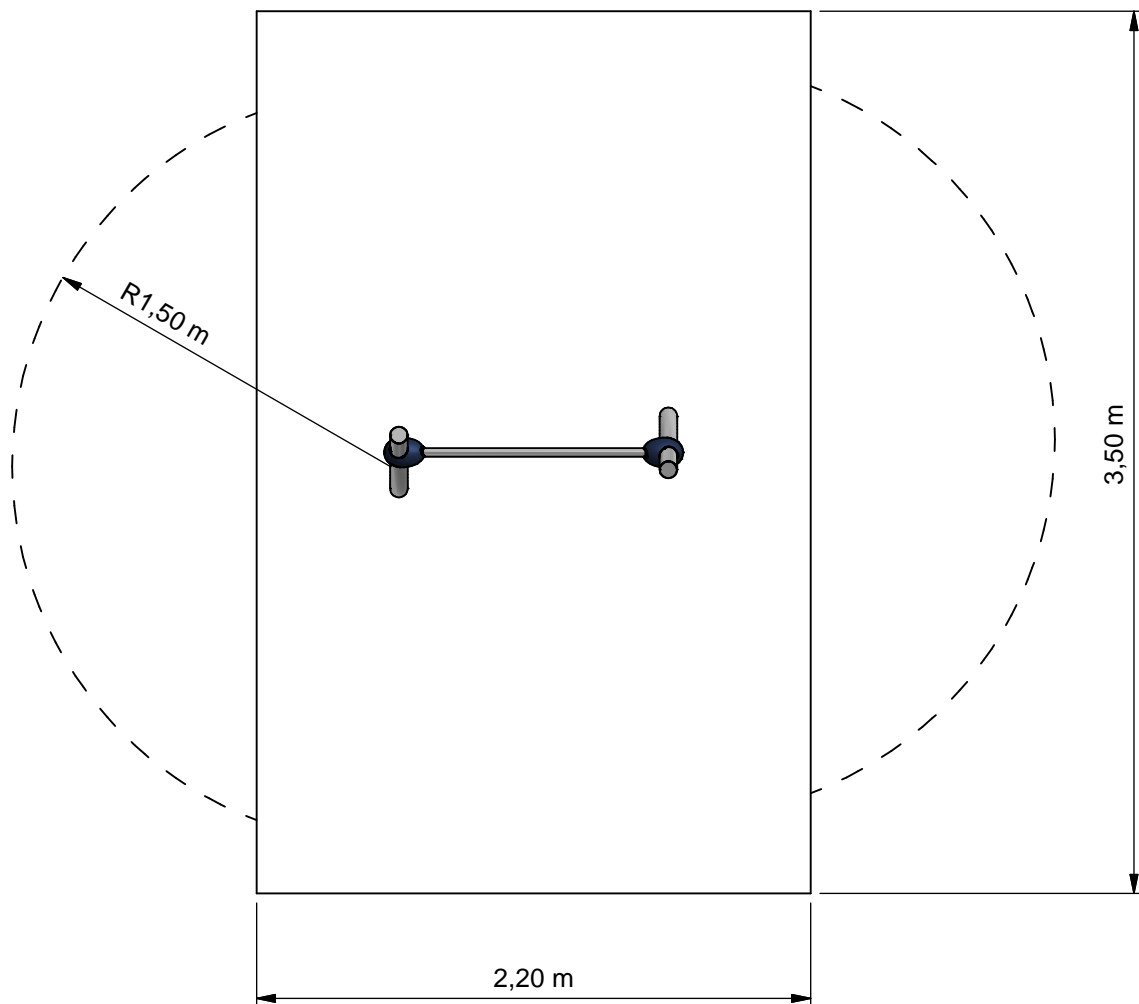




# Horizontal bar



SOLE030.225



- Obstalenvrij EN-1176
- Obstacle free EN-1176
- Opvangzone
- Impact area
- Obstalenvrij WAS
- Obstacle free WAS



Benaming  
Title | Rekstok solo

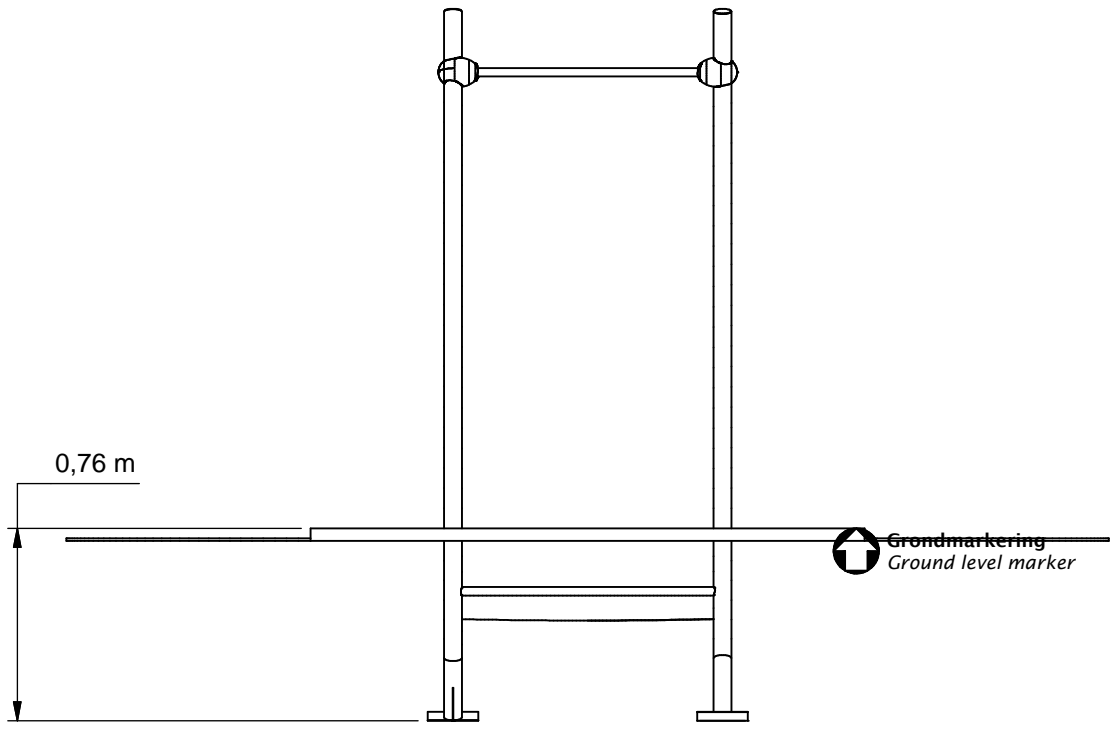
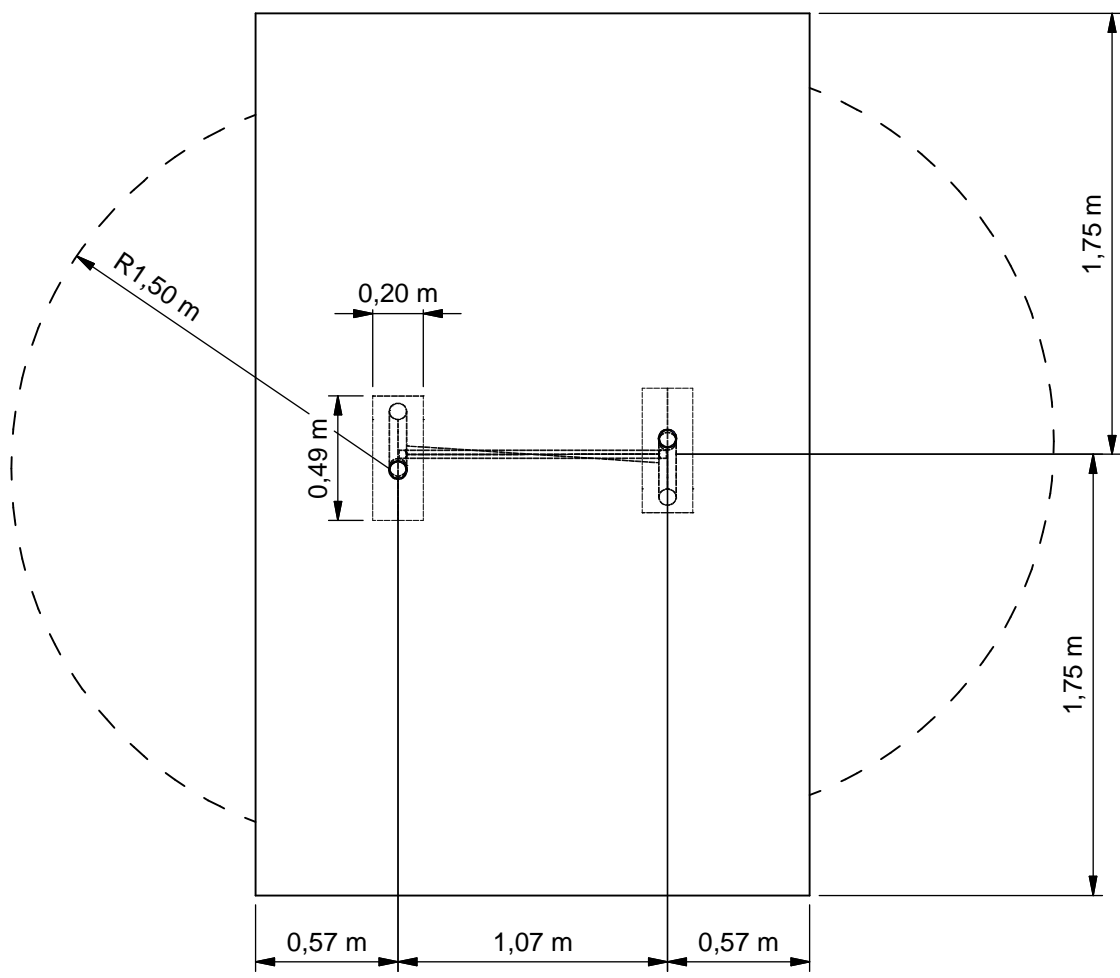
Opmerking  
Comment | Pionier

Datum  
Date | 23-1-2017

Tekening  
Drawing

**TOE SOL 030 225**

Obstalenvrije zone *Obstacle free zone*

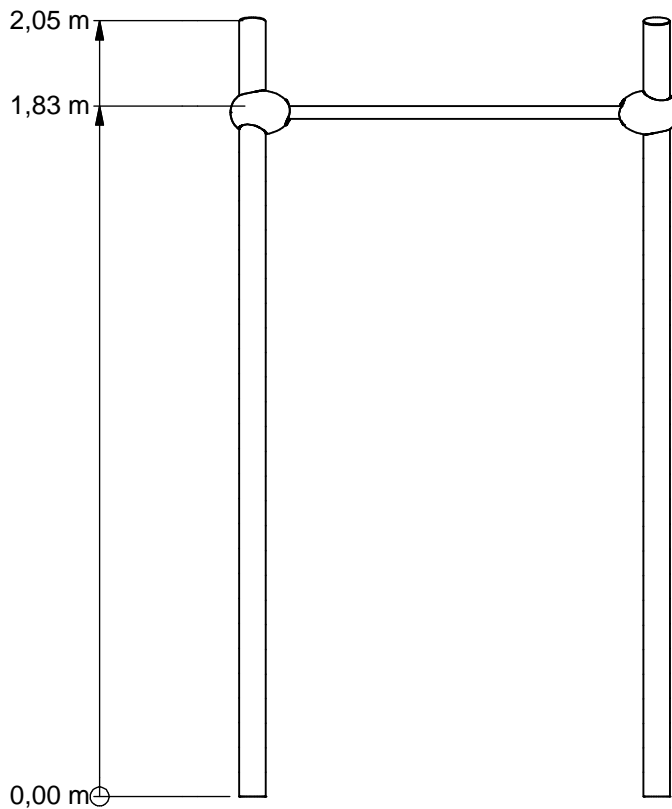
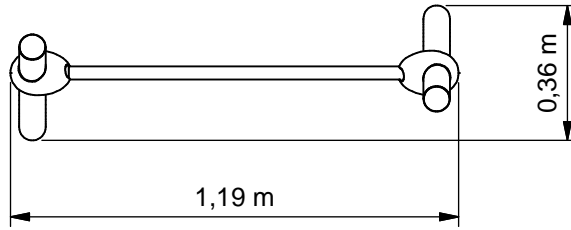


|                      |               |
|----------------------|---------------|
| Benaming<br>Title    | Rekstock solo |
| Opmerking<br>Comment | Pionier       |
| Datum<br>Date        | 23-1-2017     |

Tekening  
Drawing

TOE SOL 030 225

Bodemplan Groundplan



Benaming  
Title | Rekstok solo  
Opmerking  
Comment | Pionier  
Datum  
Date | 23-1-2017

Tekening  
Drawing

TOE SOL 030 225

Afmetingen Dimensions

**Geleverde modules:**

Zie tabel

**Supplied modules:**

See table

**Montageinstructie:**

- De hoofdmaten geven de maten van de staanders en vloeren aan
- De detailtekeningen geven specifiek de maten van de verbindingen aan
- De modules met buizen zijn op de tekeningen bemaat op bovenkant kopplaat
- Overige modules zijn bemaat op de bovenkant (klimwanden, paalkappen, etc.)

**Assembly instruction:**

- The main dimensions indicate the dimensions of the posts and floors
- The detailed dimensions show the specific dimensions of the connections
- The modules which contain tubes are dimensioned at the top of the flanges
- Other modules are dimensioned at the top (climbing walls, caps for the posts, etc.)

**Montagevolgorde:**

- 1 - Graaf de gaten volgens het bodemplan
- 2 - Plaats 1
- 3 - Controleer of het toestel voldoet aan de afmetingen zoals op blad 'afmetingen'
- 4 - Dicht de gaten en verdicht het zand

**Assembly sequence:**

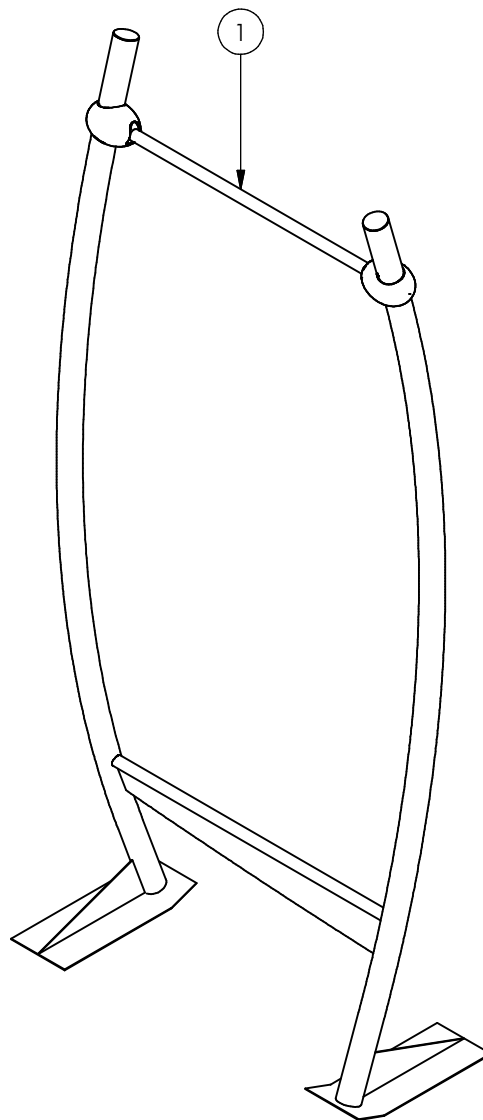
- 1 - Dig the holes according to the ground plan
- 2 - Place 1
- 3 - Check that the equipment conforms to the dimensions shown on sheet 'dimensions'
- 4 - Close the holes and compact the sand

**Controles:**

- 1 - Correcte opbouw en alle bevestigingsmiddelen
- 2 - Controleer de afmetingen van de valbodem t.o.v. het toestel

**Checks:**

- 1 - Correct assembly and all the fasteners
- 2 - Check the dimensions of the safety area with regard to the play equipment



| Nr | # | Type | Progr. | Volgnr | Bew. | Rev. | Benaming | Opmerking |
|----|---|------|--------|--------|------|------|----------|-----------|
| 1  | 1 | MOD  | PNR    | 501    | 000  |      | Rekstok  | 180 cm    |



Benaming  
Title | Rekstok solo

Opmerking  
Comment | Pionier

Datum  
Date | 23-1-2017

Tekening  
Drawing

# TOE SOL 030 225

Modules Modules

# SOLE030.225

Horizontal bar

## LOGBOOK

(Onderstaand logboek kan gebruikt worden om te voldoen aan de eisen, gesteld in artikel 14 van het Warenwetbesluit Attractie- en Speeltoestellen)

|  |   |
|--|---|
| Type indication                                    | Pioneer Play  |
| Product code                                       | SOLE030.225   |
| Name of equipment                                  | Rekstok pionier   |
| Maximum height of fall                             | 1,9 m   |
| Year of construction                               | 2017  |
| Certificate  | 09100312703   |
| inspection authority                               | Liftinstituut B.V.<br>Buikslotermeerplein 381, A'dam - 1025 XE Amsterdam                                    |
| Name manufacturer                                  | BOERplay<br>Hyacintstraat 2 - 4255 HX Nieuwendijk<br>Phone: +31 (0)183 40 23 66<br>Fax: +31 (0)183 40 35 64 |
| name installer                                     | _____<br>_____  |
| Description of equipment                           | Horizontal bar  |
| Location of equipment                              | _____   |
| Data about the owner of the play equipment         |   |
| Name:  | _____   |
| Address:   | _____   |
| Postcode and town:                                 | _____   |
| Contact person:                                    | _____   |
| Telephone number:                                  | _____   |
| Data about the administrator of the play equipment |   |
| Name:  | _____   |
| Address:   | _____   |
| Postcode and town:                                 | _____   |
| Contact person:                                    | _____   |
| Telephone number:                                  | _____   |

# LOGBOOK

## Inspection and maintenance intervals



| Nr. | Inspection   | Maintenance  | months between inspections |
|-----|--|--|----------------------------|
| 1   | Verify equipment's stability, junctions and missing parts. Inspect bolts, screws and nuts for absence, jams, corrosion and wear. | Add missing parts, secure joints, apply missing fixing agent and replace corroded parts. | 1                          |
| 2   | Check suspension for wear.   | Replace worn parts and/or remove non-functioning parts.                                  | 1                          |
| 3   | Inspect rotating parts such as hinges, rolling-element bearings, etc. for wear and acceptability.                                | Replace worn parts and/or remove non-functioning parts.                                  | 1                          |
| 4   | Check wood for splinters, unacceptable damage and signs of rot. Especially at ground level.                                      | Repair damage. Replace affected wood. Smoothen splintered wood and sharp edges.          | 1                          |
| 5   | Inspect foundation for stability, tearing and coverage.  | Restore foundation and covering material.  | 3                          |
| 6   | Examine rubber and synthetic parts for wear, damage and break.   | Replace original parts.  | 3                          |
| 7   | Inspect metal for corrosion and damage in the coating.   | Restore any damaged coating (after removing rust and applying primer).                   | 6                          |
| 8   | Check ropes, cables, chains and nets for wear and damage. Steel cables and nets which are tensioned must be checked for tension. | Replace parts where necessary. Steel cables and nets must be tensioned.                  | 3                          |
| 9   | Inspect equipment for unsafe changes and additions.  | Remove unsafe additions and correct unsafe changes.                                      | 1                          |
| 10  | Inspect safety surfaces.   | Restore and repair where necessary.  | 1                          |

## Remarks

1. If used intensively, all points require extra attention.
2. Extreme weather conditions and locations may require a higher inspection frequency. Discuss this with the supplier.
3. Vandalism-sensitive locations require stricter inspections, possibly daily.
4. Check the terrain regularly for items that do not belong there, are unsafe or may be used wrongly. Examples are poisonous plants, glass shards, etc. Frequency depends on strain.
5. Remember that bad maintenance leads to unsafe conditions and notably faster impoverishment of the playground area.
6. Replacement parts can be ordered at the manufacturer with the part numbers on the module drawing. Drawings can be found in de user guide.
7. The impact area shall be provided with impact attenuating surface according to the specified falling height.
8. This list is conform the CEN-standard "playground equipment and surfacing NEN-EN 1176-7".

# TYPE-EXAMINATION CERTIFICATE

Acting under the "Warenwetbesluit Attractie- en Speeltoestellen" issued by Liftinstituut B.V.  
commissioned by departmental order, no. VGP/PSL 2857566 from 27 Juni 2008.

Certificate nr. : NL 09-100312703 Revision nr.: -

Description of the product : Pionier duikels, playground equipment

Trademark, type : Boer Speeltoestellen  
TOE SOL: 030 215, 030 220, 030 221, 030 222, 030 225,  
030 226, 030 227, 030 230, 030 231, 030 232

Name and address of the manufacturer : Boer Speeltoestellen  
Hyacinthstraat 2  
4255 HX Nieuwendijk

Name and address of the certificate holder : Boer Speeltoestellen  
Hyacinthstraat 2  
4255 HX Nieuwendijk

Certificate issued on the basis of the following requirements : Warenwetbesluit Attractie- en Speeltoestellen,  
NEN-EN 1176-1:2008

Test laboratory : None

Date and number of the laboratory report : None

Date of type-examination : 13 October 2008 – 19 January 2009

Annexes with this certificate : Report belonging to the type-examination certificate  
nr.: 100312703

Additional remarks : None

Conclusion : The playground equipment meets the requirements of the above  
specified European standard(s) and "Warenwetbesluit Attractie-  
en Speeltoestellen" taking into account any additional remarks  
mentioned above.

Issued in Amsterdam  
Date of issue : 7 April 2009

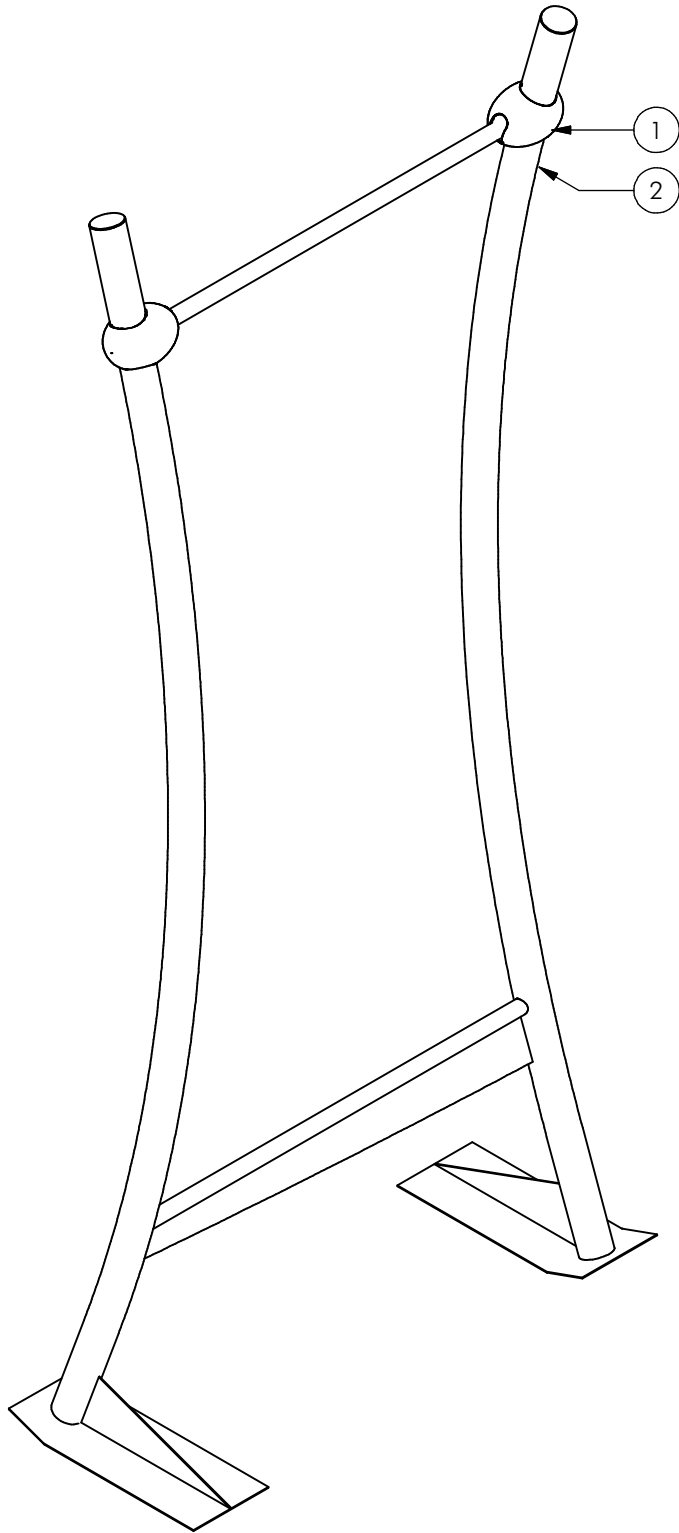


Ir. V.M.A. Barendregt  
LIFTINSTITUUT B.V.  
Senior Officer Certification  
& Technology



Drs. B. Mulder  
LIFTINSTITUUT B.V.  
Director Certification &  
Inspection International





|     |   |      |       |     |      |   |               |           |
|-----|---|------|-------|-----|------|---|---------------|-----------|
| 2   | 1 | SME  | PNR   | 202 | 320  | B | Rekstok frame | 180 cm    |
| 1   | 2 | SMD  | PNR   | 005 | 000  |   | Submodule     | EI 05     |
| POS | N | TYPE | PROJ. | NR. | BEH. | R | BENAMING      | OPMERKING |



Benaming  
Title: Rekstok

Opmerking  
Comment: 180 cm

Datum  
Date: 9-10-2008

Tekening  
Drawing

**MOD PNR 501 000**

**Samenstelling module Assembly module**