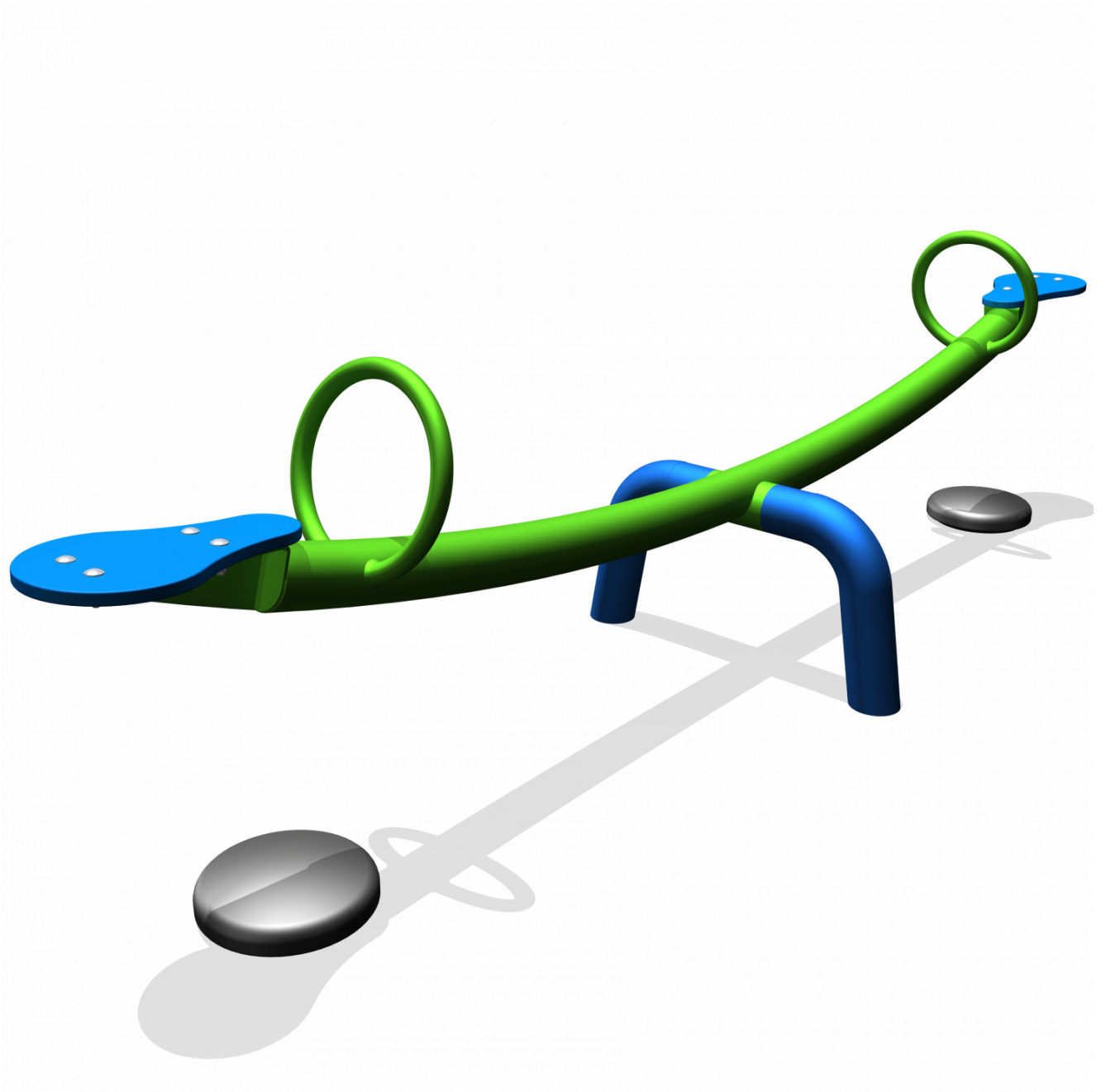
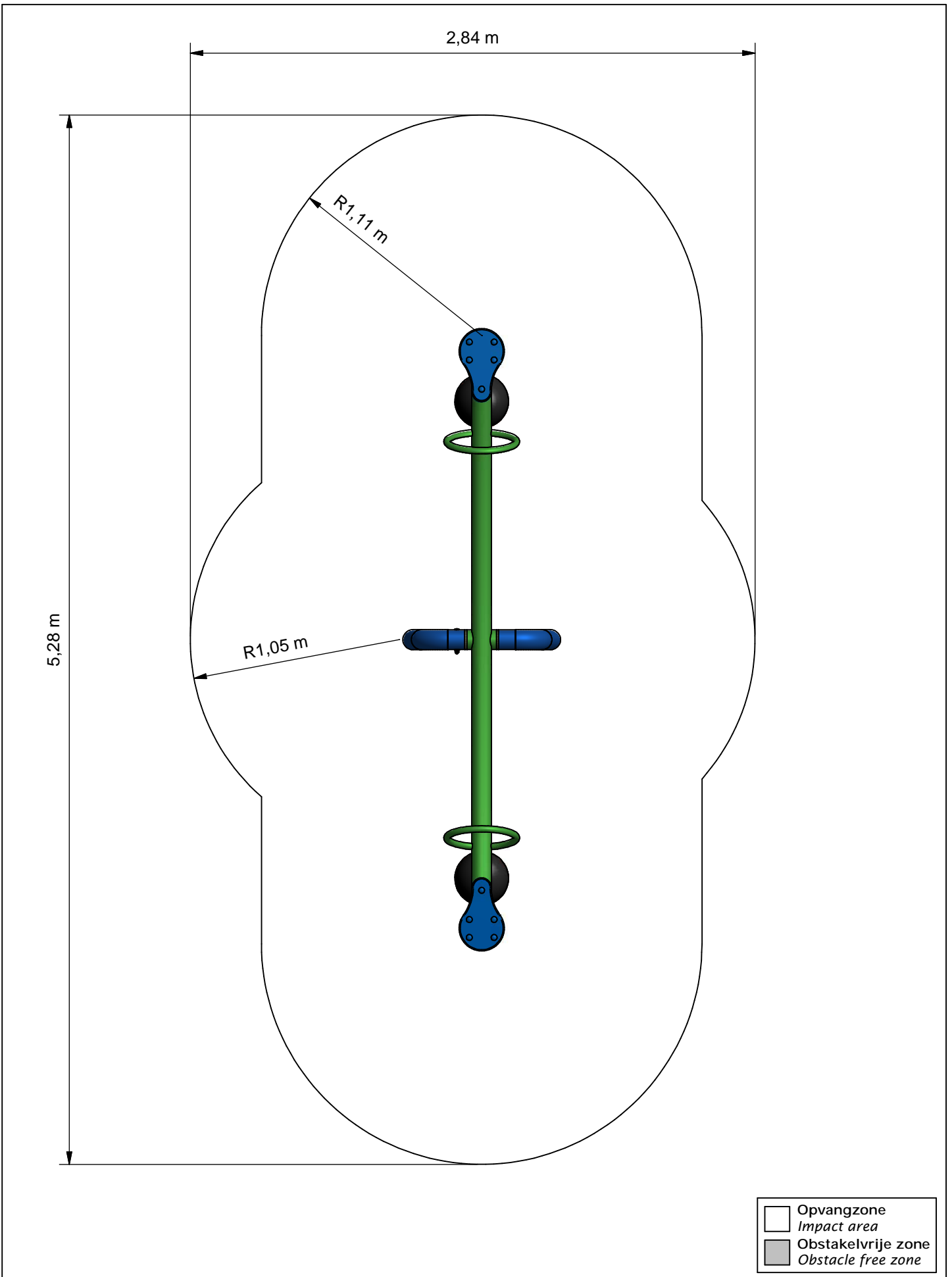




Seesaw



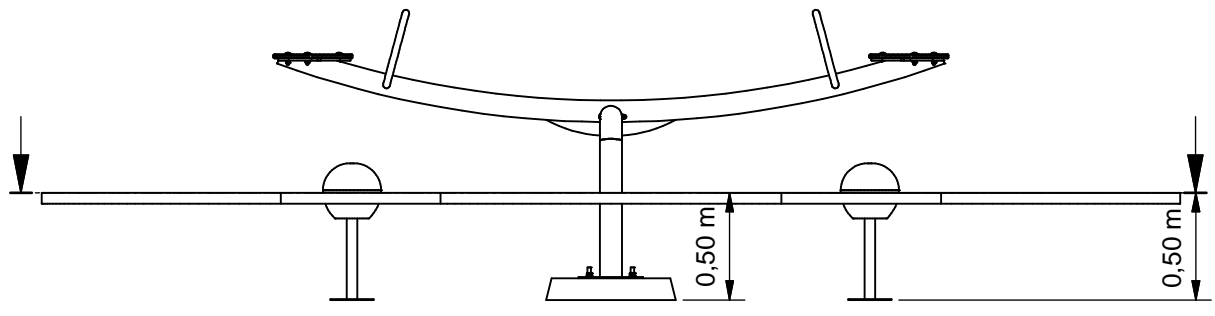
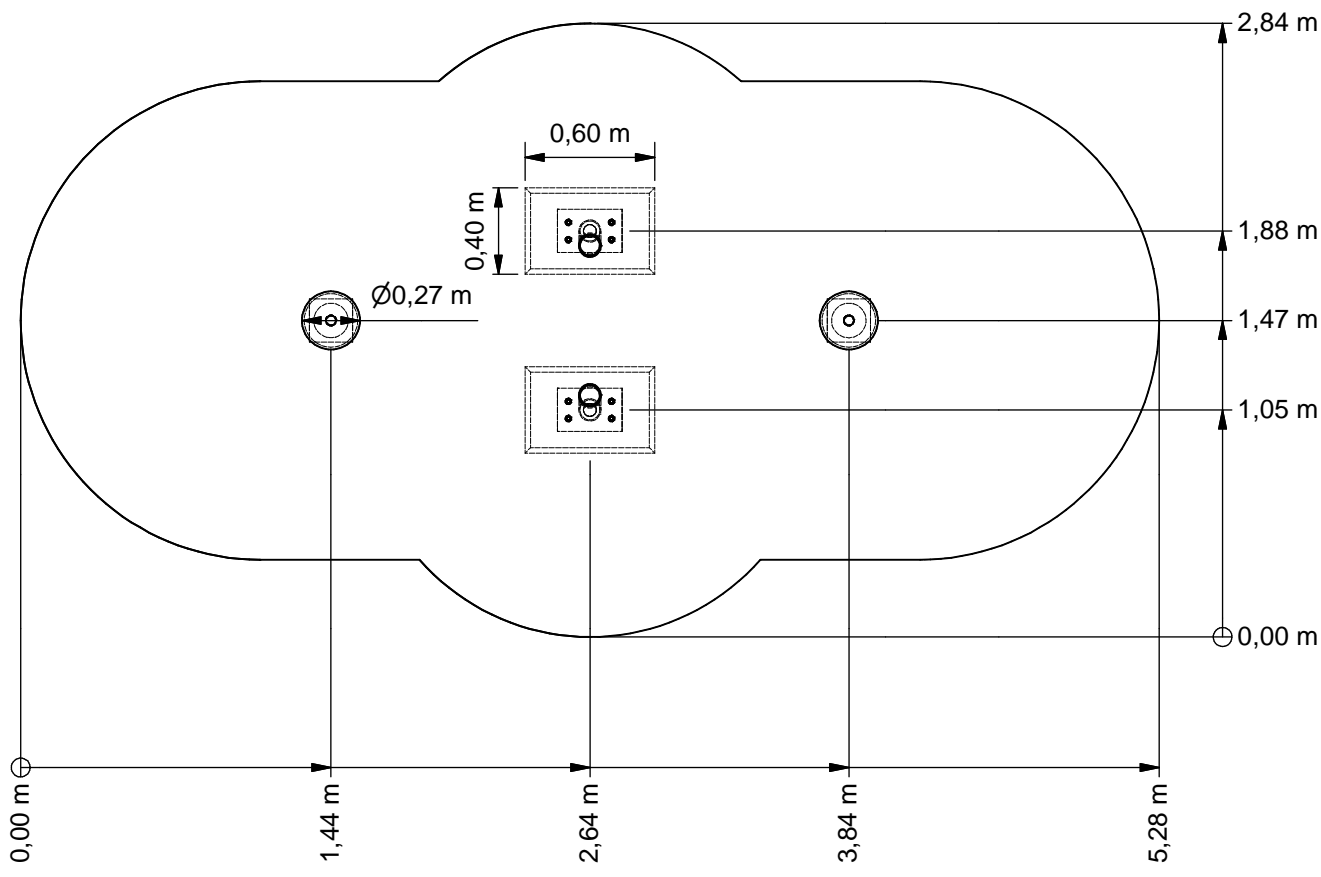
FRPE510.001



Benaming Free Play
Title
Opmerking Wip Wap
Comment
Datum 31-8-2012
Date

Tekening
Drawing

TOE FRP 510 001 A
 Obstakelvrije zone *Obstacle free zone*

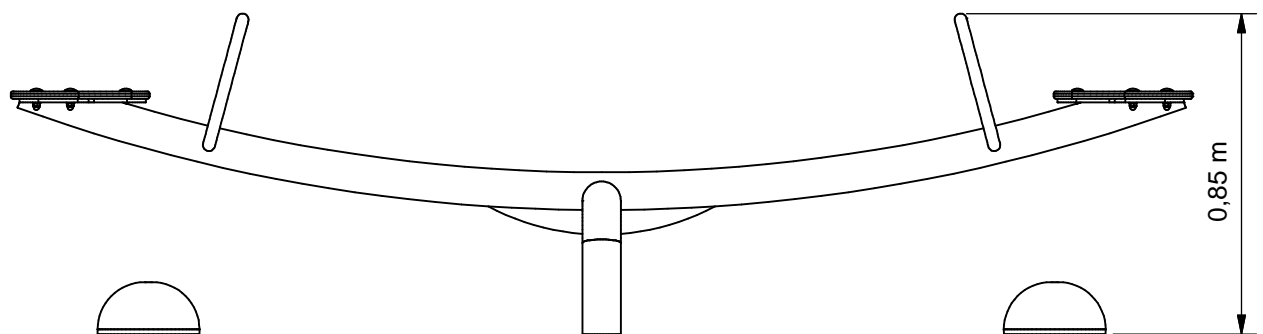
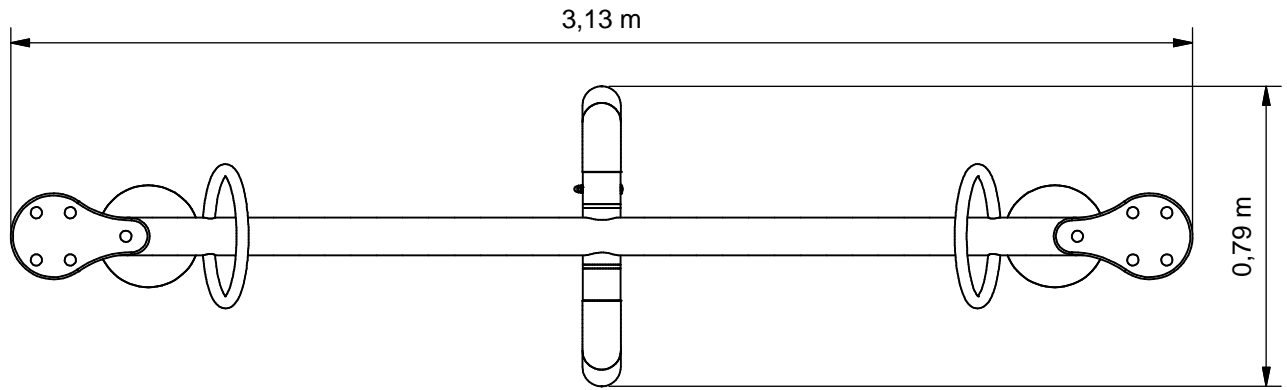


Benaming Title Free Play
 Opmerking Comment Wip Wap
 Datum Date 31-8-2012

Tekening Drawing

TOE FRP 510 001 A

Bodemplan Groundplan



Benaming
Title Free Play

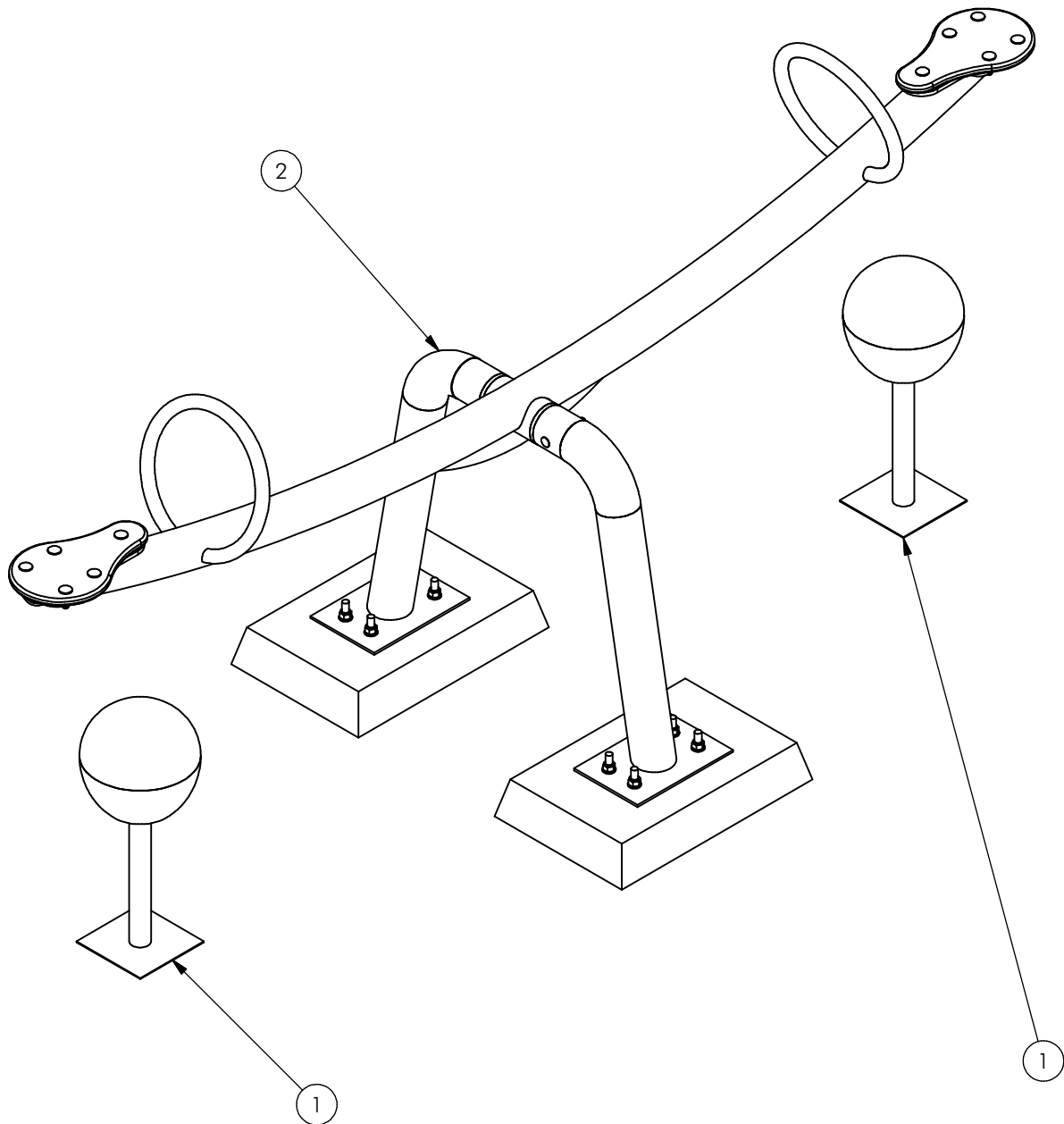
Opmerking
Comment Wip Wap

Datum
Date 31-8-2012

Tekening
Drawing

TOE FRP 510 001 A

Afmetingen Dimensions



Nr	#	Type	Progr.	Volgnr	Bew.	Rev.	Benaming	Opmerking
1	2	MOD	CSP	302	004		Wipdemper	Zwart
2	1	MOD	FRP	371	021	D	Flamingo wip	Freeplay



Benaming Title Free Play
 Opmerking Comment Wip Wap
 Datum Date 31-8-2012

Tekening Drawing

TOE FRP 510 001 A

Modules Modules

FRPE510.001

Seesaw

LOGBOOK

(Onderstaand logboek kan gebruikt worden om te voldoen aan de eisen, gesteld in artikel 14 van het Warenwetbesluit Attractie- en Speeltoestellen)

Type indication	Free Play
Product code	FRPE510.001
Name of equipment	Wip met dempers
Maximum height of fall	1,1 m
Year of construction	2017
Certificate	132385
inspection authority	Keurmerkinstituut Groeneweg 2e, Zoetermeer - 2718AA Zoetermeer
Name manufacturer	BOERplay Hyacintstraat 2 - 4255 HX Nieuwendijk Phone: +31 (0)183 40 23 66 Fax: +31 (0)183 40 35 64
name installer	_____ _____
Description of equipment	Seesaw
Location of equipment	_____
Data about the owner of the play equipment	
Name:	_____
Address:	_____
Postcode and town:	_____
Contact person:	_____
Telephone number:	_____
Data about the administrator of the play equipment	
Name:	_____
Address:	_____
Postcode and town:	_____
Contact person:	_____
Telephone number:	_____

LOGBOOK

Inspection and maintenance intervals



Nr.	Inspection	Maintenance	months between inspections
1	Verify equipment's stability, junctions and missing parts. Inspect bolts, screws and nuts for absence, jams, corrosion and wear.	Add missing parts, secure joints, apply missing fixing agent and replace corroded parts.	1
2	Check suspension for wear.	Replace worn parts and/or remove non-functioning parts.	1
3	Inspect rotating parts such as hinges, rolling-element bearings, etc. for wear and acceptability.	Replace worn parts and/or remove non-functioning parts.	1
4	Check wood for splinters, unacceptable damage and signs of rot. Especially at ground level.	Repair damage. Replace affected wood. Smoothen splintered wood and sharp edges.	1
5	Inspect foundation for stability, tearing and coverage.	Restore foundation and covering material.	3
6	Examine rubber and synthetic parts for wear, damage and break.	Replace original parts.	3
7	Inspect metal for corrosion and damage in the coating.	Restore any damaged coating (after removing rust and applying primer).	6
8	Check ropes, cables, chains and nets for wear and damage. Steel cables and nets which are tensioned must be checked for tension.	Replace parts where necessary. Steel cables and nets must be tensioned.	3
9	Inspect equipment for unsafe changes and additions.	Remove unsafe additions and correct unsafe changes.	1
10	Inspect safety surfaces.	Restore and repair where necessary.	1

Remarks

1. If used intensively, all points require extra attention.
2. Extreme weather conditions and locations may require a higher inspection frequency. Discuss this with the supplier.
3. Vandalism-sensitive locations require stricter inspections, possibly daily.
4. Check the terrain regularly for items that do not belong there, are unsafe or may be used wrongly. Examples are poisonous plants, glass shards, etc. Frequency depends on strain.
5. Remember that bad maintenance leads to unsafe conditions and notably faster impoverishment of the playground area.
6. Replacement parts can be ordered at the manufacturer with the part numbers on the module drawing. Drawings can be found in de user guide.
7. The impact area shall be provided with impact attenuating surface according to the specified falling height.
8. This list is conform the CEN-standard "playground equipment and surfacing NEN-EN 1176-7".

Certificaat

KEURMERKINSTITUUT

Warenwetbesluit attractie- en speeltoestellen

Certificaat van goedkeuring afgegeven door Keurmerkinstituut (aangewezen bij ministeriële beschikking van 8 juni 2004, VGB/P&L 2478562).

Certificaat nr.: 132385

Dossier nr.: 8042 Serie / Enkel: S

Betreft: Wip

Aanduidingen: 37.1.510

Eigenaar/houder: Boer speeltoestellen b.v.
Postbus 10
4255 ZG Nieuwendijk

Soort toestel: Wiptoestel type 1 met 2 zitjes

Fabrikant: Boer speeltoestellen b.v., Nieuwendijk

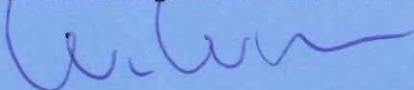
Jaar van fabricage: 2013

Leverancier: Boer speeltoestellen b.v., Nieuwendijk

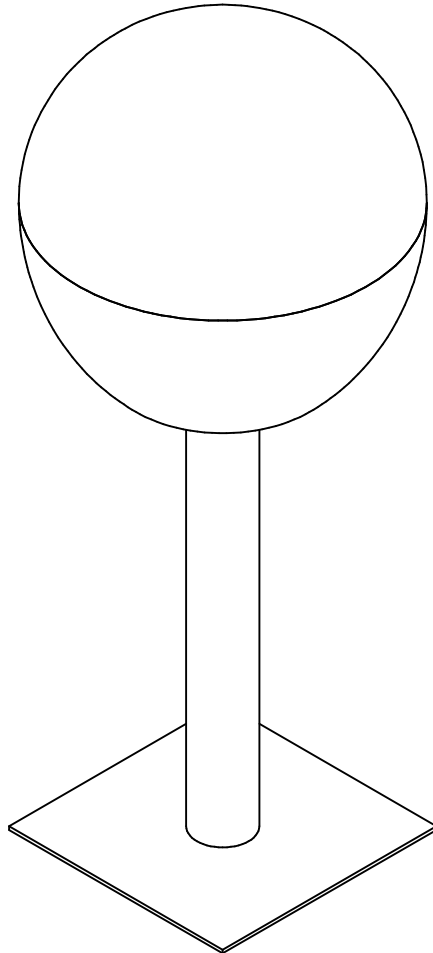
Jaar van leverantie: 2013

Datum keuring: 28 mei 2013

Keurmerkinstituut, Groeneweg 2 te Zoetermeer, verklaart dat het bovenvermelde toestel voldoet aan de vervaardigingsvoorschriften genoemd in het Warenwetbesluit attractie- en speeltoestellen (Staatsblad 474, 27 september 1996).
Beoordelingscriteria EN 1176-1:2008, EN 1176-6:2008.



drs. W. van Weperen
directeur



Nr	#	Type	Progr.	Volgnr	Bew.	Rev.	Benaming	Opmerking
1	1	MOD	WDP	001	090		Wipdemper	

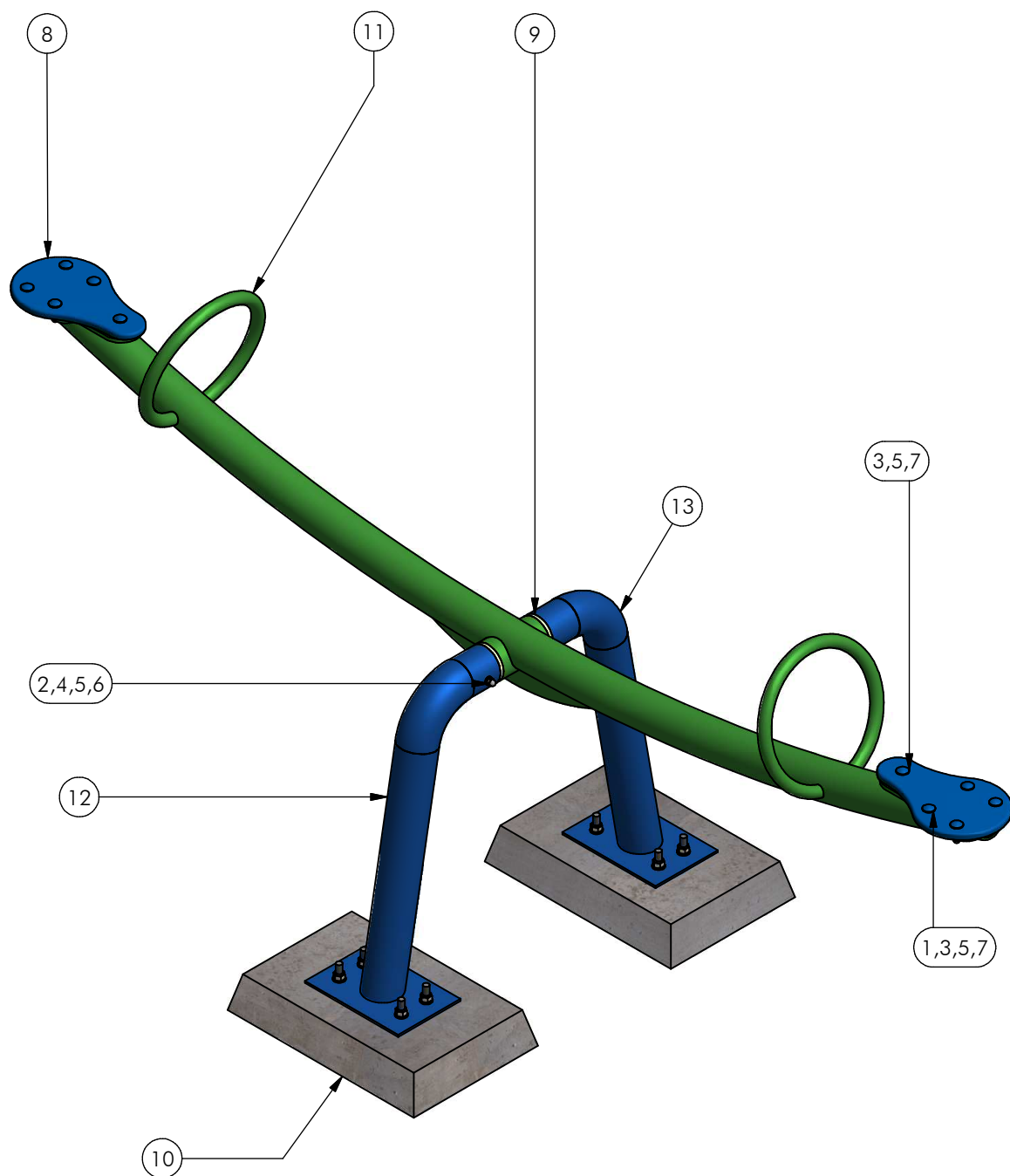


Benaming
Title | Wipdemper
Opmerking
Comment | Zwart
Datum
Date | 27-2-2015

Tekening
Drawing

MOD CSP 004

Samenstelling module *Assembly module*



Gat Ø10 t.b.v. 2,4,5,6 bij montage boren

Nr	#	Type	Progr.	Volgnr	Bew.	Rev.	Benaming	Opmerking
1	8	BSV	011	010	020		Borgdopmoer	M10 - VZ 8.8
2	1	BSV	012	010	020		Borgdopmoer	M10 - VZ 8.8
3	10	BSV	020	010	030		Zeskant tapbout	M10 x 30 - VZ 8.8
4	1	BSV	026	010	120		Slotbout	M10 x 120 - VZ 8.8
5	19	BSV	030	010	002		Sluitring	M10 - VZ 8.8
6	1	BSV	032	010	002		Veerring	M10 - VZ 8.8
7	10	KST	DOP	010	050		Beschermkop M10-M12	Dop Blauw
8	2	KST	FRP	002	HPE		Zitje	Wip FRP
9	2	KST	FRP	068	PA6		AFSTANDBUS	wip frp
10	2	SMD	OBT	010	001		Poer met moertjes	600 x 400 x 100
11	1	SME	FRP	030	ALU	B	wipbuis totaal	wip frp
12	1	SME	FRP	031	ALU	A	Staander	wip frp
13	1	SME	FRP	065	ALU		Staander	wip frp