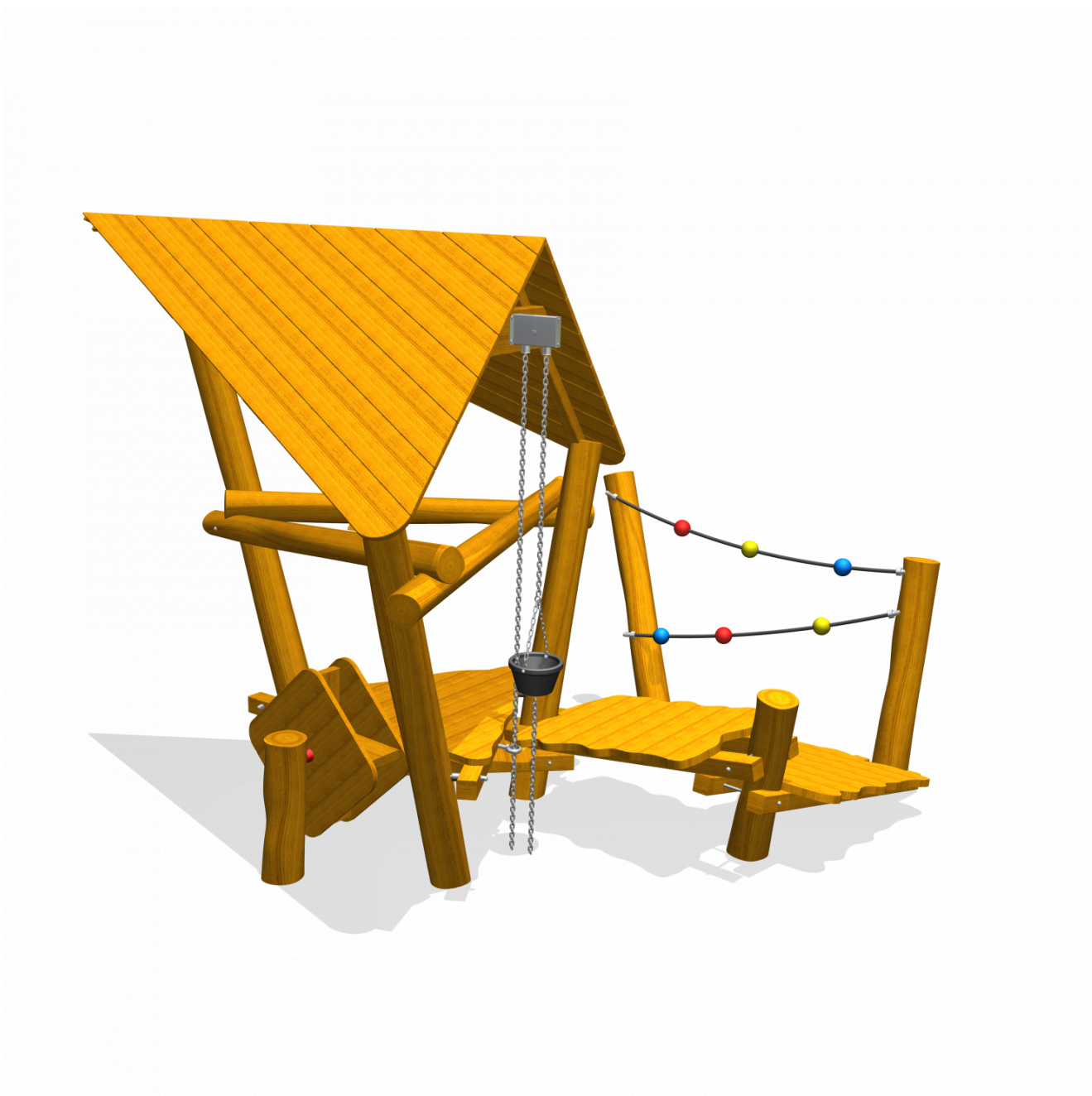
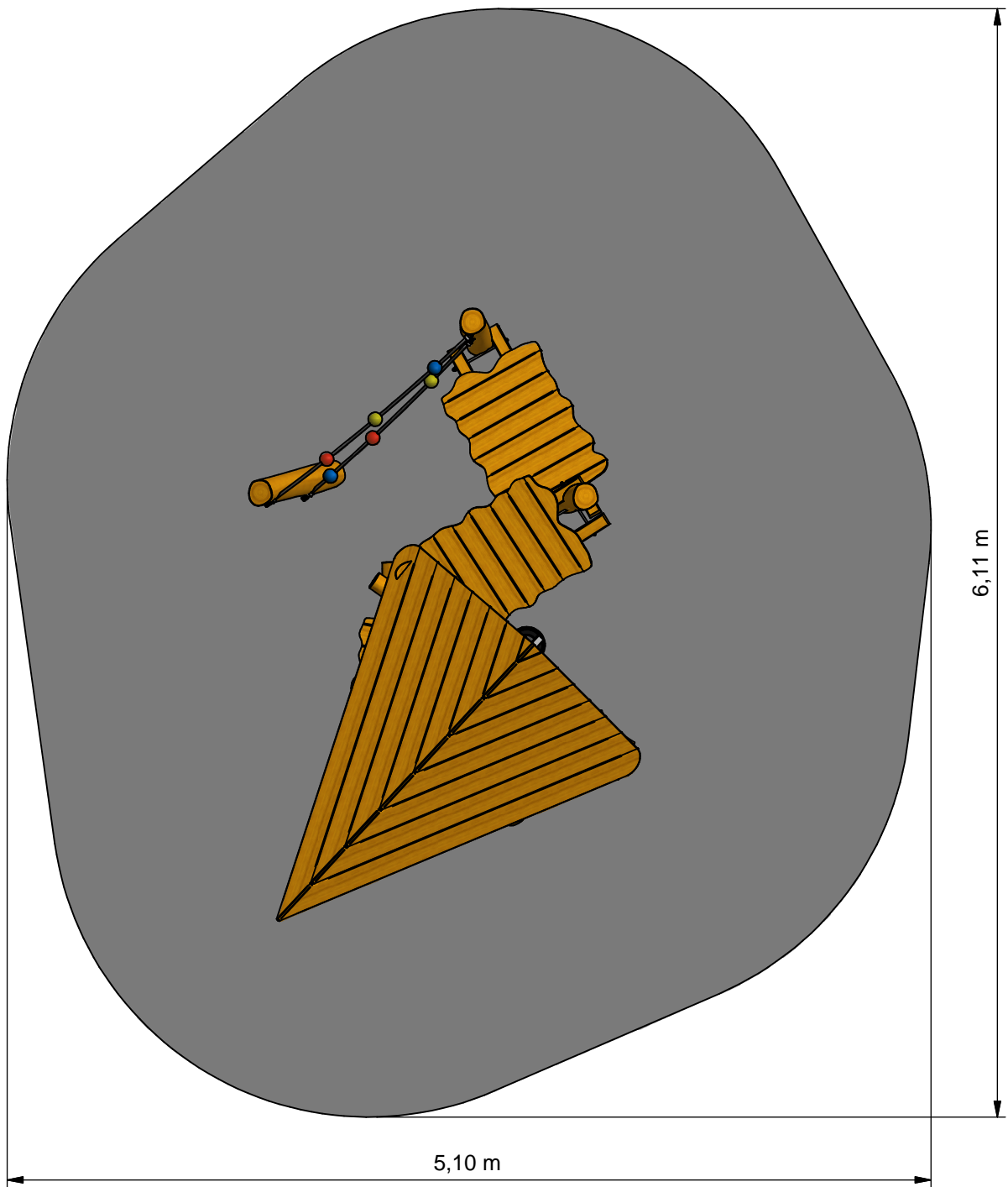




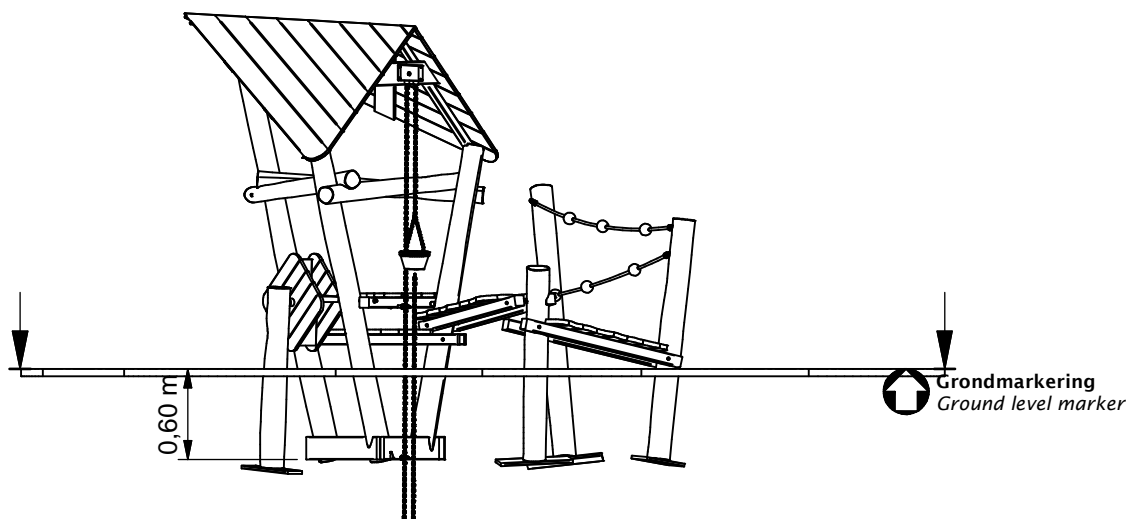
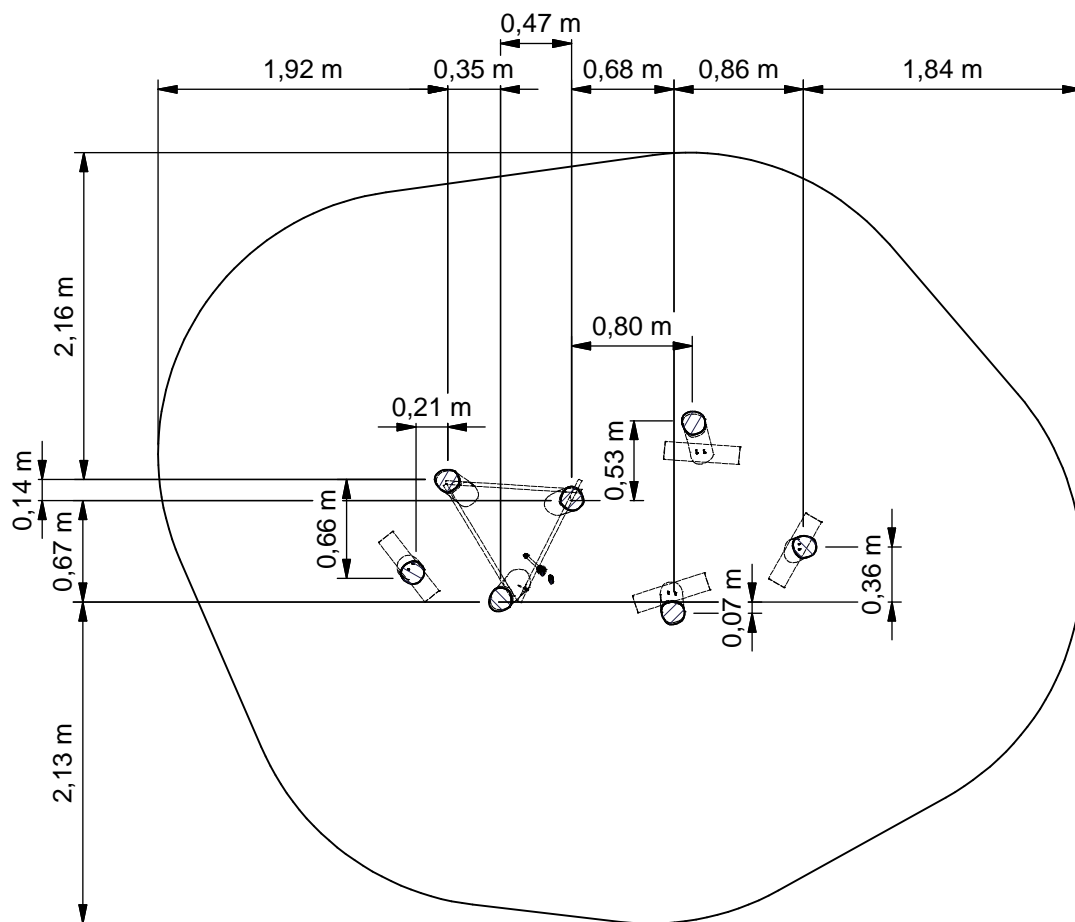
Sandplay equipment

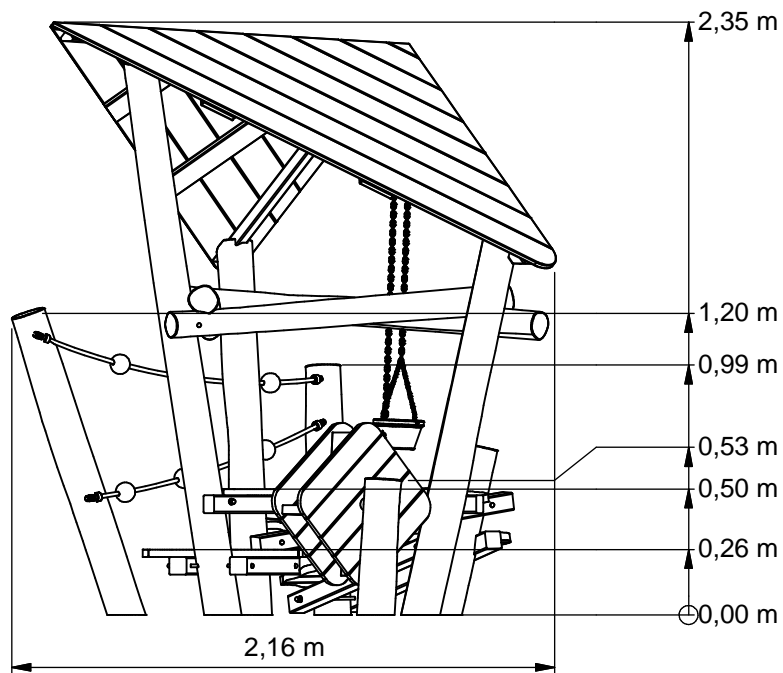
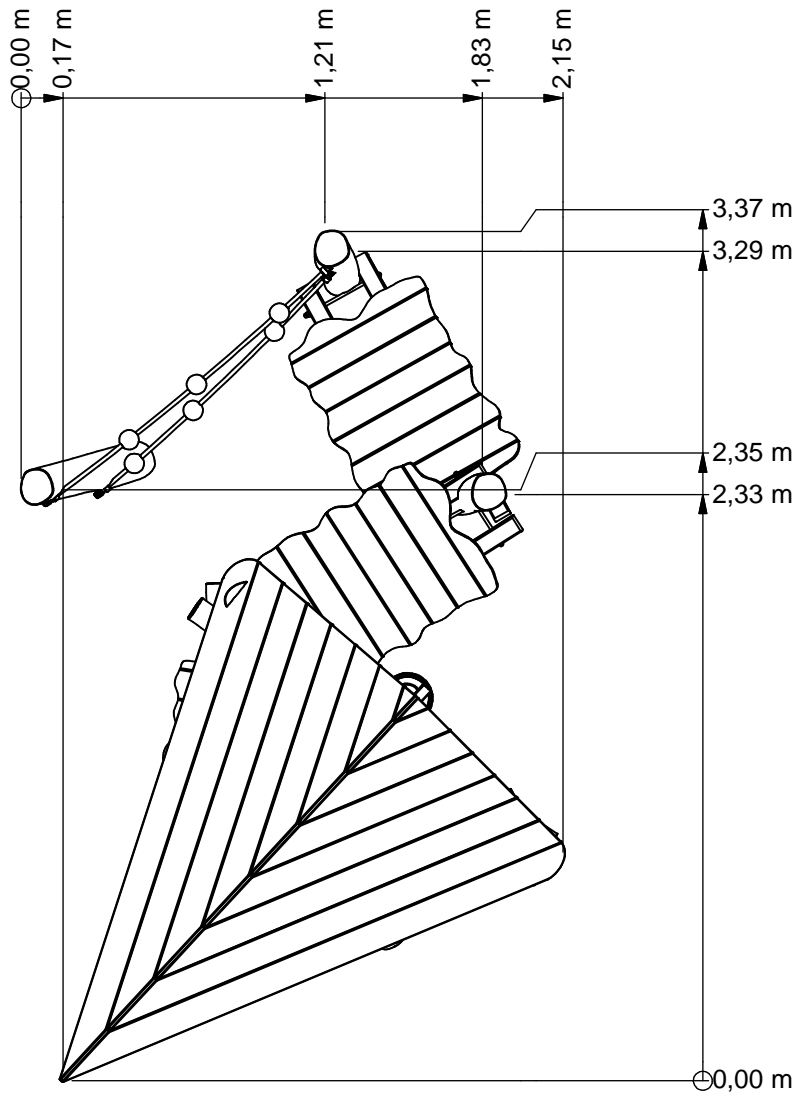


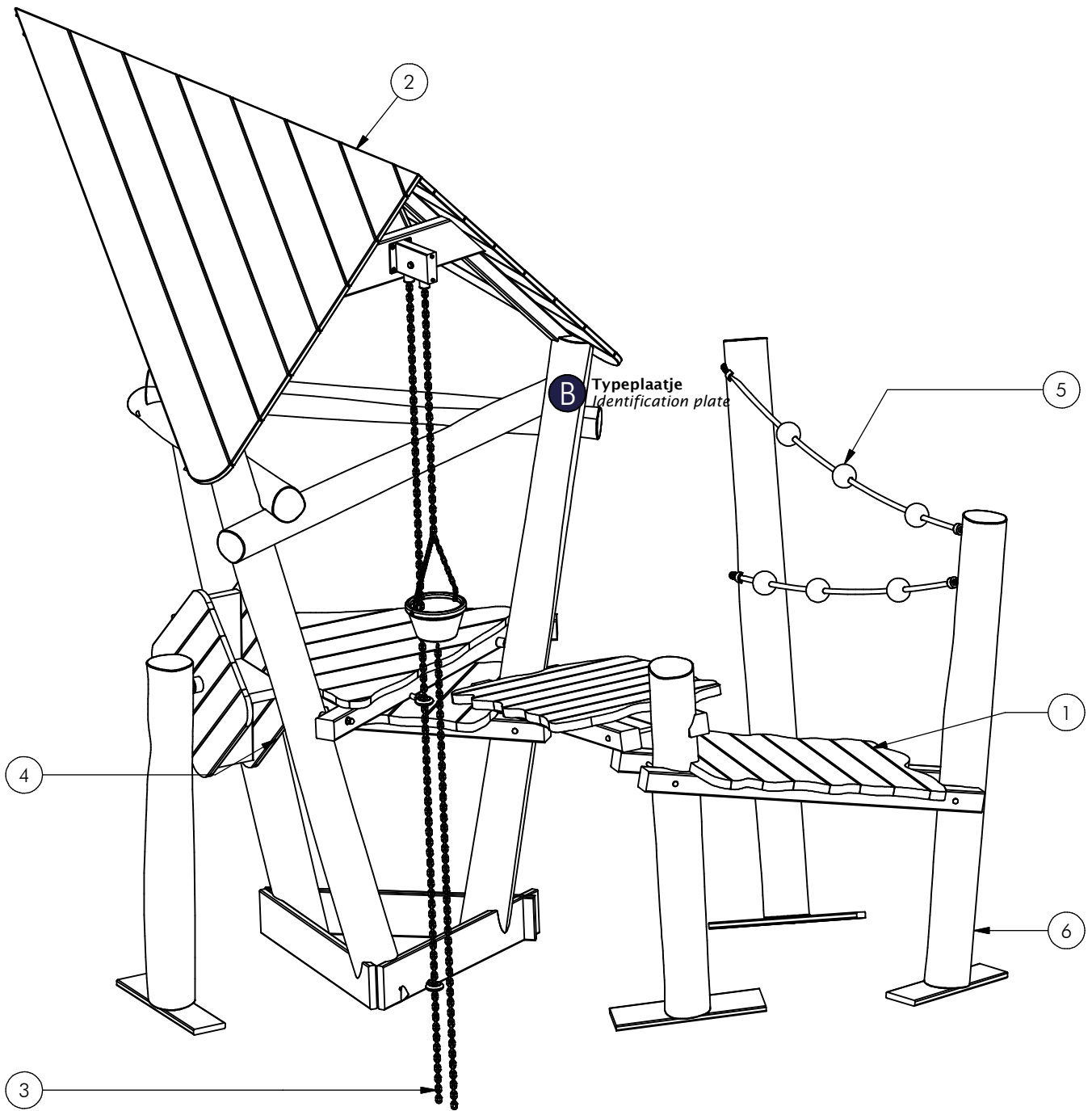
PSTE115.005



- Opvangzone
Impact area
- Obstakelvrije zone
Obstacle free zone







POS	N	TYPE	PROJ.	NR.	BEH.	R	BENAMING	OPMERKING
1	3	MOD	PST	029	001	A	Toonbank / zitbank	Adventure Play
2	1	MOD	PST	030	031	A	Toren 0,5 M	Adventure Play
3	1	MOD	PST	032	003	A	Zandschep	Bak en Katrol
4	1	MOD	PST	033	001	A	Zandrad	Adventure Play
5	1	MOD	PST	038	004	A	Speelballen	Adventure Play
6	1	MOD	PST	115	005	A	Losse onderdelen	Adventure Play



Benaming
Title Zandspeeltoestel

Opmerking
Comment Adventure Play

Datum
Date 21-7-2011

Tekening
Drawing

TOE PST 115 005

Modules Modules

Geleverde delen:

- A - Toren 0,5 m
- B - Zandrad incl. staander
- C - Zitbank
- D - Zitbank incl. staanders
- E - Telbollen incl. staander

Bevestiging sets:

- 1 - RVS M10 bevestigingsset
- 2 - RVS Schroef t.b.v. kabel

Montagevolgorde:

- 1 - graaf de gaten volgens het bodemplan en plaats hierin A
- 2 - Bevestig B met 1 aan A
- 3 - Bevestig C met 1 aan A
- 4 - Bevestig D met 1 aan C
- 5 - Bevestig E met 2 aan D
- 6 - Controleer of het toestel voldoet aan de afmetingen zoals op blad afmetingen.
- 7 - Dicht de gaten en verdicht het zand.

Controles:

- 1 - correcte opbouw en alle bevestigingsmiddelen
- 2 - De vahoogte minder is dan 0,50 m
- 3 - Controleer de afmetingen van de valbodem t.o.v. het toestel.

Supplied parts:

- A - Tower 0.5m
- B - sand wheel incl stand
- C - Bench
- D - Bench incl stands
- E - Telbollen including stand

Mounting kits:

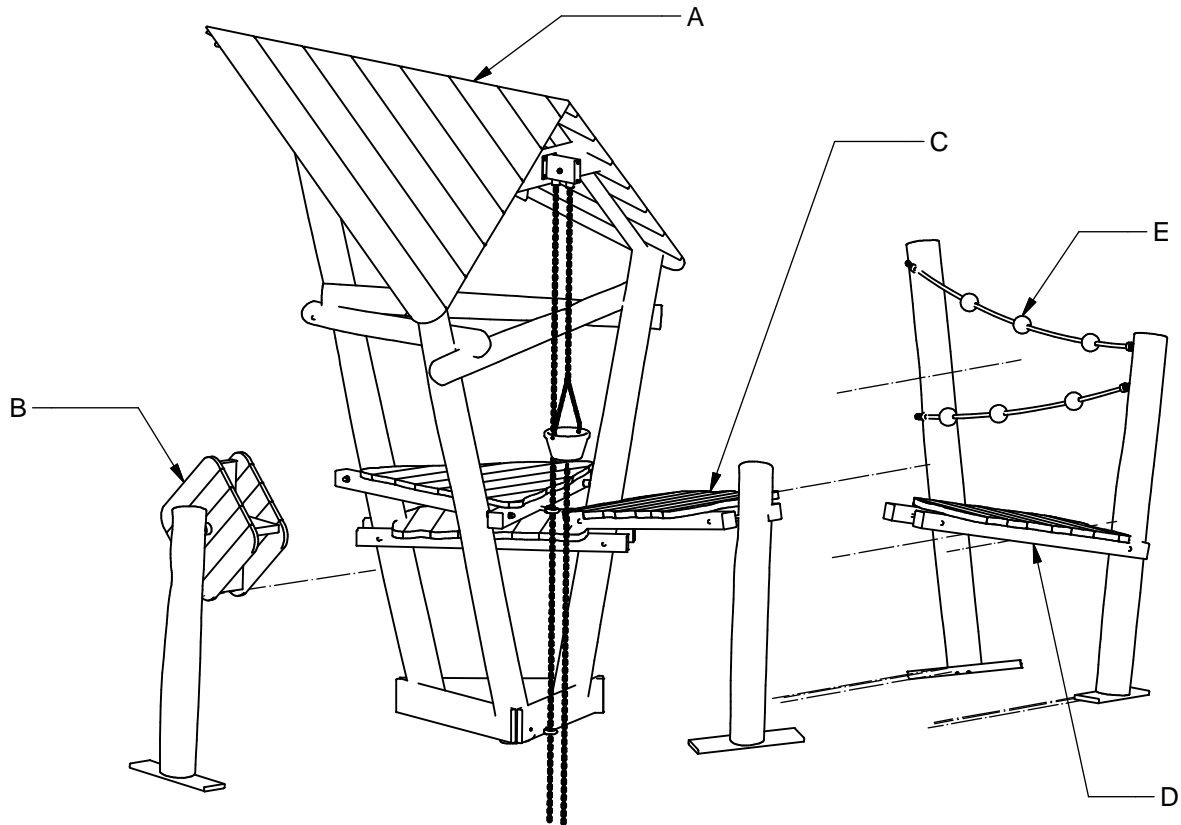
- 1 - M10 stainless steel mounting
- 2 - Stainless steel screw receivers for cable

Assembly sequence:

- 1 - Dig the holes in the floor plan and insert A
- 2 - Confirm with 1 B to A
- 3 - Confirm with C 1 to A
- 4 - Confirm with 1 D to C
- 5 - Confirm E with 2 to D
- 6 - Check that the device complies with the dimensions on sheet sizes.
- 7 - Close the holes and compacted sand.

Controls:

- 1 - correct assembly and all fasteners
- 2 - The height of fall is less than 0,50 m
- 3 - Check the dimensions of the Safety area with regard to the play equipment.



PSTE115.005

Sandplay equipment

LOGBOOK

(Onderstaand logboek kan gebruikt worden om te voldoen aan de eisen, gesteld in artikel 14 van het Warenwetbesluit Attractie- en Speeltoestellen)

Type indication	Adventure Play
Product code	PSTE115.005
Name of equipment	Zandtoestel Adventure Play
Maximum height of fall	0,5 m
Year of construction	2017
Certificate	057603
inspection authority	TUV Nederland QA BV De Waal 21c, Best - 5684 PH Best
Name manufacturer	BOERplay Hyacintstraat 2 - 4255 HX Nieuwendijk Phone: +31 (0)183 40 23 66 Fax: +31 (0)183 40 35 64
name installer	_____ _____
Description of equipment	Sandplay equipment
Location of equipment	_____
Data about the owner of the play equipment	
Name:	_____
Address:	_____
Postcode and town:	_____
Contact person:	_____
Telephone number:	_____
Data about the administrator of the play equipment	
Name:	_____
Address:	_____
Postcode and town:	_____
Contact person:	_____
Telephone number:	_____

LOGBOOK

Inspection and maintenance intervals



Nr.	Inspection	Maintenance	months between inspections
1	Verify equipment's stability, junctions and missing parts. Inspect bolts, screws and nuts for absence, jams, corrosion and wear.	Add missing parts, secure joints, apply missing fixing agent and replace corroded parts.	1
2	Check suspension for wear.	Replace worn parts and/or remove non-functioning parts.	1
3	Inspect rotating parts such as hinges, rolling-element bearings, etc. for wear and acceptability.	Replace worn parts and/or remove non-functioning parts.	1
4	Check wood for splinters, unacceptable damage and signs of rot. Especially at ground level.	Repair damage. Replace affected wood. Smoothen splintered wood and sharp edges.	1
5	Inspect foundation for stability, tearing and coverage.	Restore foundation and covering material.	3
6	Examine rubber and synthetic parts for wear, damage and break.	Replace original parts.	3
7	Inspect metal for corrosion and damage in the coating.	Restore any damaged coating (after removing rust and applying primer).	6
8	Check ropes, cables, chains and nets for wear and damage. Steel cables and nets which are tensioned must be checked for tension.	Replace parts where necessary. Steel cables and nets must be tensioned.	3
9	Inspect equipment for unsafe changes and additions.	Remove unsafe additions and correct unsafe changes.	1
10	Inspect safety surfaces.	Restore and repair where necessary.	1

Remarks

1. If used intensively, all points require extra attention.
2. Extreme weather conditions and locations may require a higher inspection frequency. Discuss this with the supplier.
3. Vandalism-sensitive locations require stricter inspections, possibly daily.
4. Check the terrain regularly for items that do not belong there, are unsafe or may be used wrongly. Examples are poisonous plants, glass shards, etc. Frequency depends on strain.
5. Remember that bad maintenance leads to unsafe conditions and notably faster impoverishment of the playground area.
6. Replacement parts can be ordered at the manufacturer with the part numbers on the module drawing. Drawings can be found in de user guide.
7. The impact area shall be provided with impact attenuating surface according to the specified falling height.
8. This list is conform the CEN-standard "playground equipment and surfacing NEN-EN 1176-7".

Warenwet

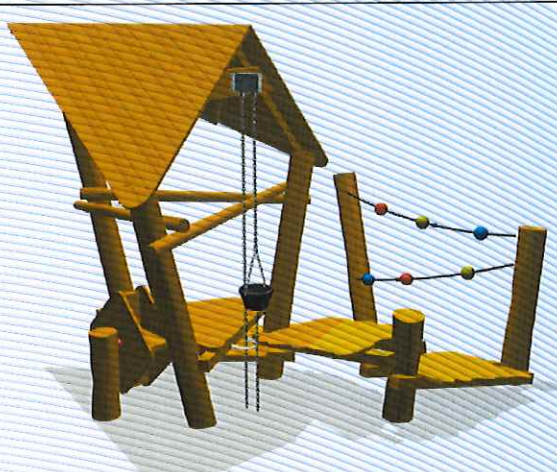
Certificaat van Typeonderzoek Type Examination Certificate

afgegeven door issued by

TÜV Nederland QA BV



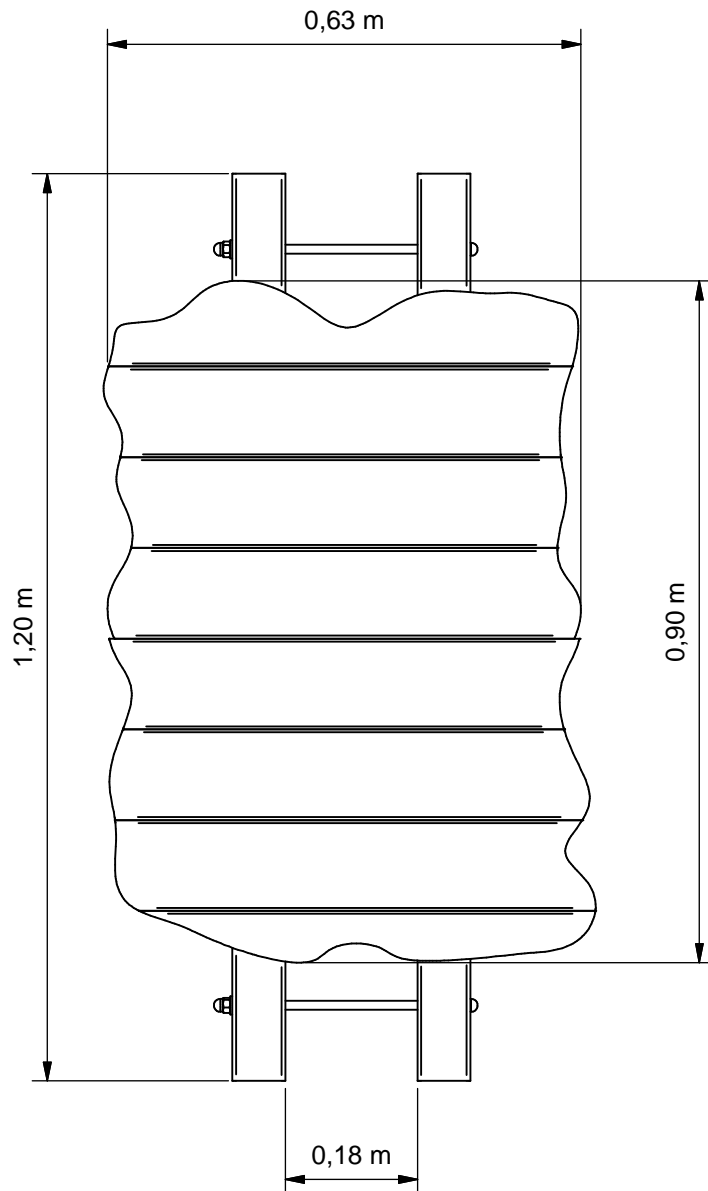
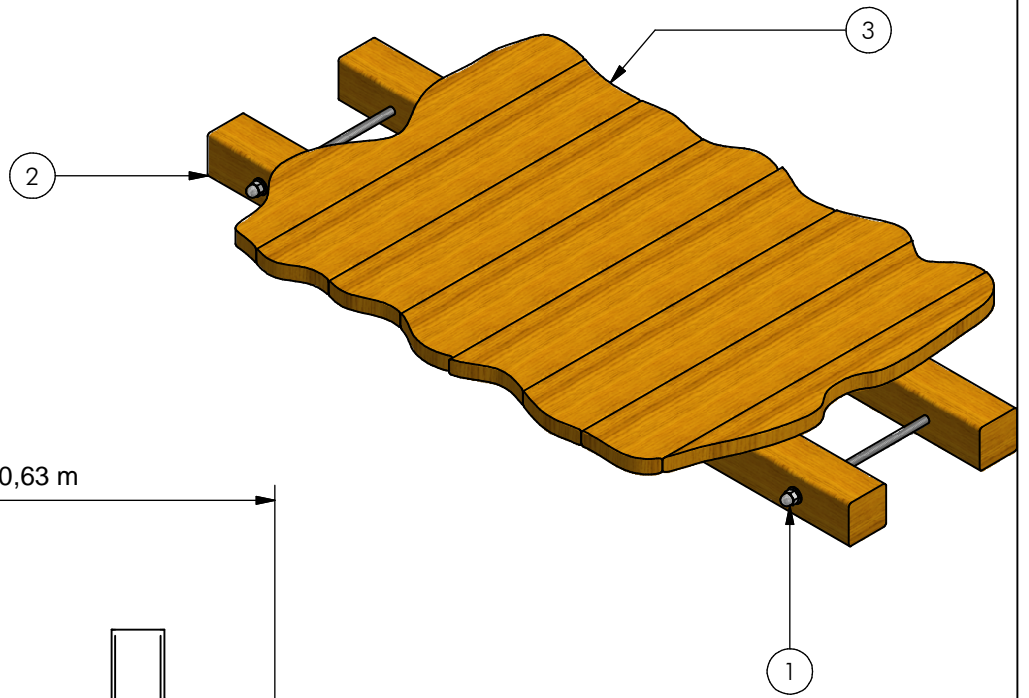
aangewezen bij ministeriële beschikking van 4 mei 2012, nr. VGP 3113590
commissioned by departmental order of 4 May 2012, no. VGP 3113590

Certificaat nr. Certificate nr.	057603TA_20161025	Dossiernr. File nr.	057603TA
Productomschrijving Product description	Zandtoestel		
Evt. nadere aanduidingen Further indications	Adventure Play		
voor nadere informatie zie bijbehorend rapport met gelijkkluidend dossiernr. for further information see associated report with identical file nr.			
Eigenaar / certificaathouder en adres Owner/certificate holder and address	Boer Speeltoestellen B.V. Hyacintstraat 2 4255 HX Nieuwendijk		
Soort toestel Category of equipment	Speeltoestel / Playground equipment		
Fabrikant Manufacturer	Boer Speeltoestellen B.V. Hyacintstraat 2 4255 HX Nieuwendijk		
Type/Serienummer Type/Serial number	PST.115.005 /	in te vullen door de fabrikant to be filled out by the manufacturer	
Jaar van fabricage Year of construction	vanaf since		
Leverancier Supplier	Boer Speeltoestellen B.V. Hyacintstraat 2 4255 HX Nieuwendijk		
Jaar van leverantie Year of supply	in te vullen door de leverancier to be filled out by the supplier		
Datum keuring Date of examination	09-09-2016 – 25-10-2016		

TÜV Nederland QA BV, de Waal 21C, NL-5684 PH Best verklaart, dat het bovenaangehaalde toestel voldoet aan de vervaardigingvoorschriften genoemd in het Warenwetbesluit attractie- en speeltoestellen (met als leidraad de normatieve documenten NEN-EN 1176:2008).

TÜV Nederland QA BV declares that the here above mentioned equipment meets the safety and health requirements mentioned in the Dutch law "Warenwetbesluit attractie- en speeltoestellen" (guided by normative documents EN 1176:2008).

Namens het bestuur, For the board, E. Franken Managing Director	
--	--



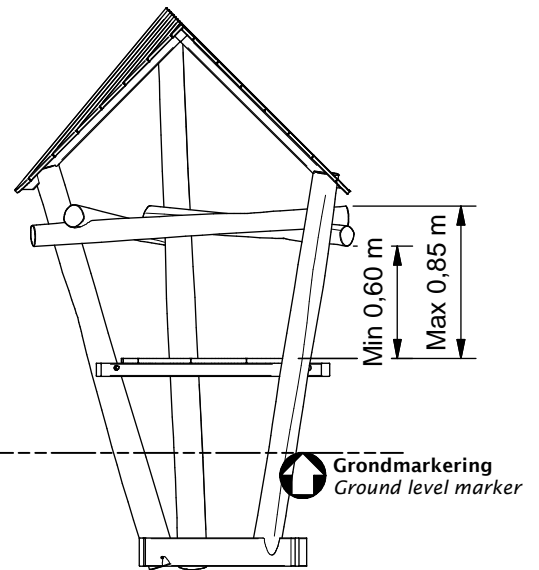
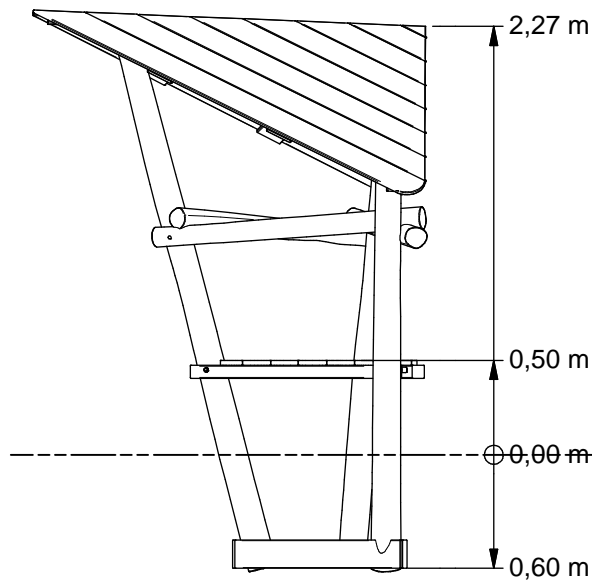
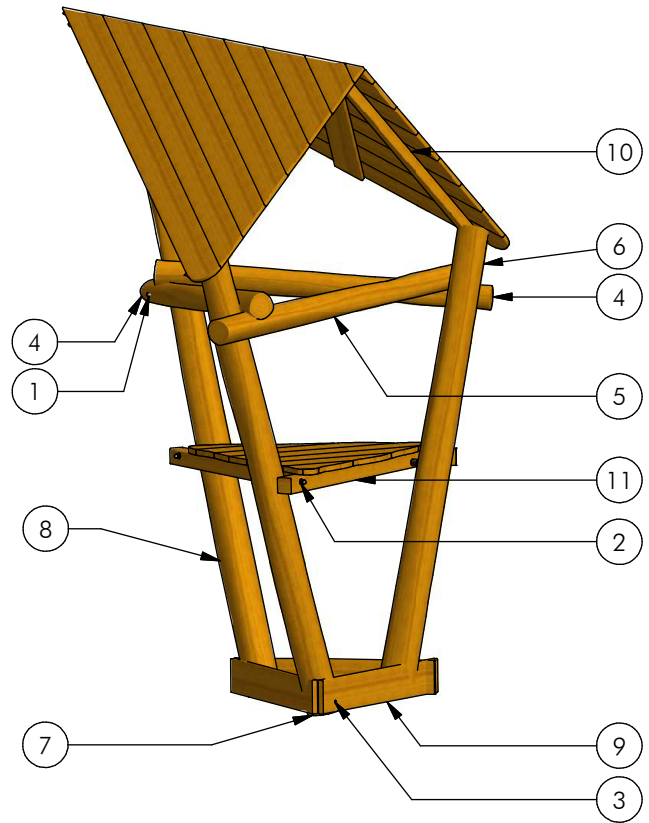
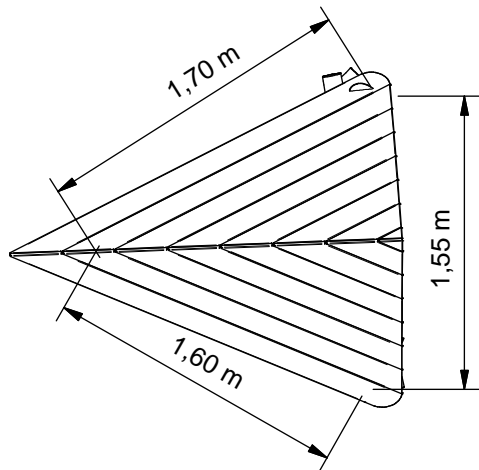
Nr	#	Type	Progr.	Volgnr	Bew.	Rev.	Benaming	Opmerking
1	2	BMR	SET	M12	320		Draadeind+dopm.+ringen	M12, L= 320, RVS A2-70
2	2	OHO	PST	307	120		70 mm Vierkante paal	1200 mm Lengte
3	1	SHO	PST	069	001		Zitvlak	Adventure Play



Benaming / Title: Toonbank / zitbank
 Opmerking / Comment: Adventure Play
 Datum / Date: 14-7-2014

Tekening / Drawing

MOD PST 029 001 A
 Samenstelling module Assembly module



Nr	#	Type	Progr.	Volgnr	Bew.	Rev.	Benaming	Opmerking
1	6	BMR	SET	M12	200		Draadeind+dopm.+ringen	M12, L= 200, RVS A2-70
2	3	BMR	SET	M12	220		Draadeind+dopm.+ringen	M12, L= 220, RVS A2-70
3	12	BSR	002	005	070		Schroef Assy	5 x 70 - RVS A2-70
4	2	OHO	PST	120	015		Paal 10-12	Lengte =1500
5	1	OHO	PST	120	017		Paal 10-12	Lengte =1700
6	1	OHO	PST	160	021		Paal 14-16	Lengte =2100
7	1	OHO	PST	160	022		Paal 14-16	Lengte =2200
8	1	OHO	PST	160	029		Paal 14-16	Lengte =2900
9	3	OHO	PST	222	090		Plank 120x30	Lengte = 900
10	1	SHO	PST	064	001	A	Dakje toren	Adventure Play
11	1	SMD	PST	003	001		Vloertje 0,5 m	Adventure Play



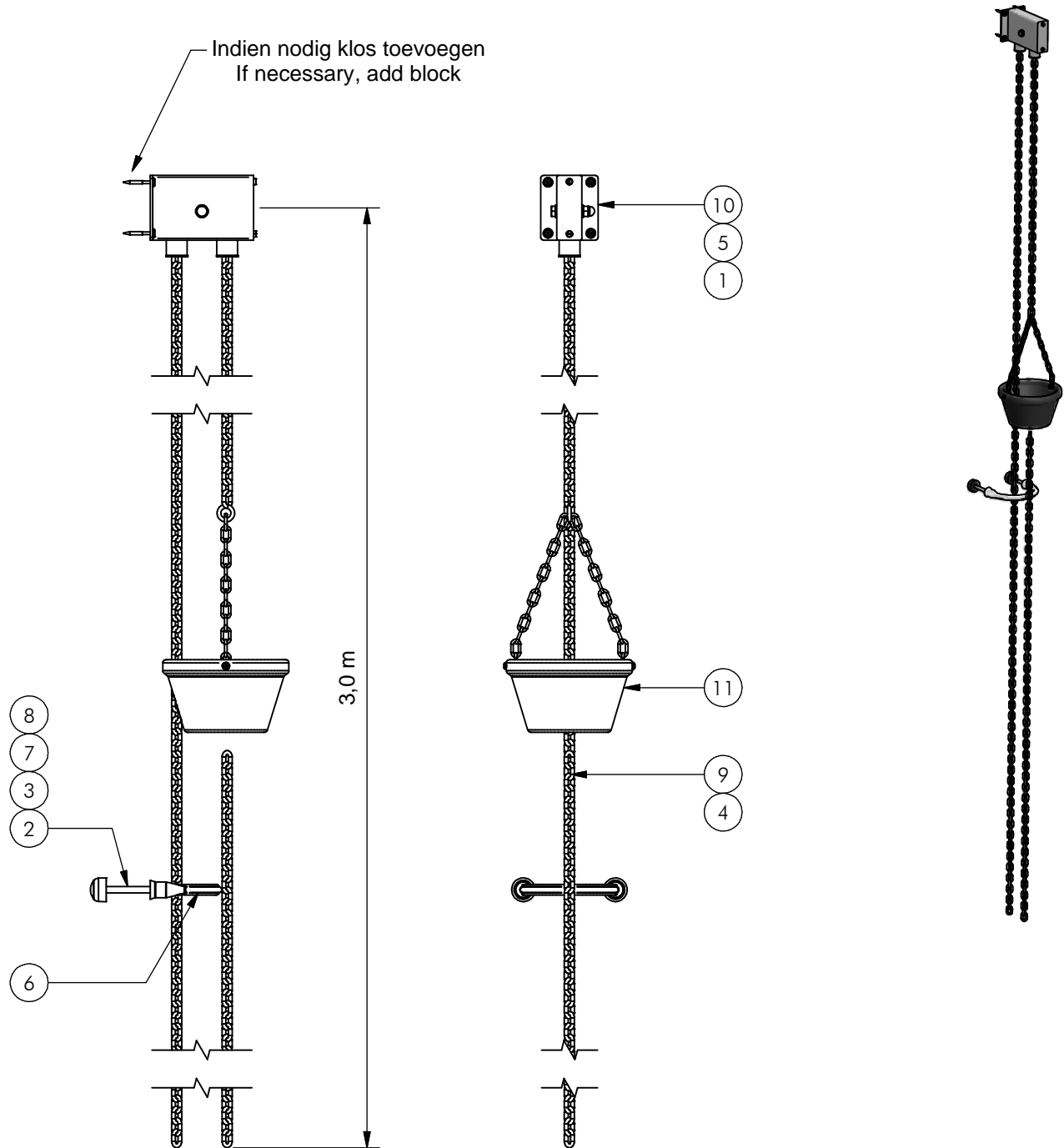
Benaming
Title: Toren 0,5 M

Opmerking
Comment: Adventure Play

Datum
Date: 9-9-2016

Tekening
Drawing

MOD PST 030 031 A
Samenstelling module Assembly module



11	1	RNT	ZND	002	320	ZANDEMMER	RUBBER NR. 1126	
10	1	RNT	ZND	001	320	ZANDKATROL	RVS NR.1130	
9	149	RNT	KET	006	002	KETTING	RVS 6 MM	
8	2	KST	DOP	010	060	Beschermkop M10-M12	Dop zwart	
7	2	KST	DON	010	060	Beschermkop M10-M12	Donut zwart	
6	1	KST	310	183	402	Handgreep	Kunststof wit	
5	4	BSR	036	005	015	Facet ring	M5 - RVS A2-70	
4	2	BSR	031	005	000	D-Sluiting	5 mm, RVS A2-70	
3	2	BSR	030	010	002	Sluitring	M10 - RVS A2-70	
2	2	BSR	021	010	080	Zeskantbout	M10 x 80 - RVS A2-70	
1	4	BSR	002	005	050	Schroef Assy	5 x 50 - RVS A2-70	
POS	N	TYPE	PROJ	NR.	BEH.	R	BENAMING	OPMERKING

Ketting Lengtes bepalen in werk



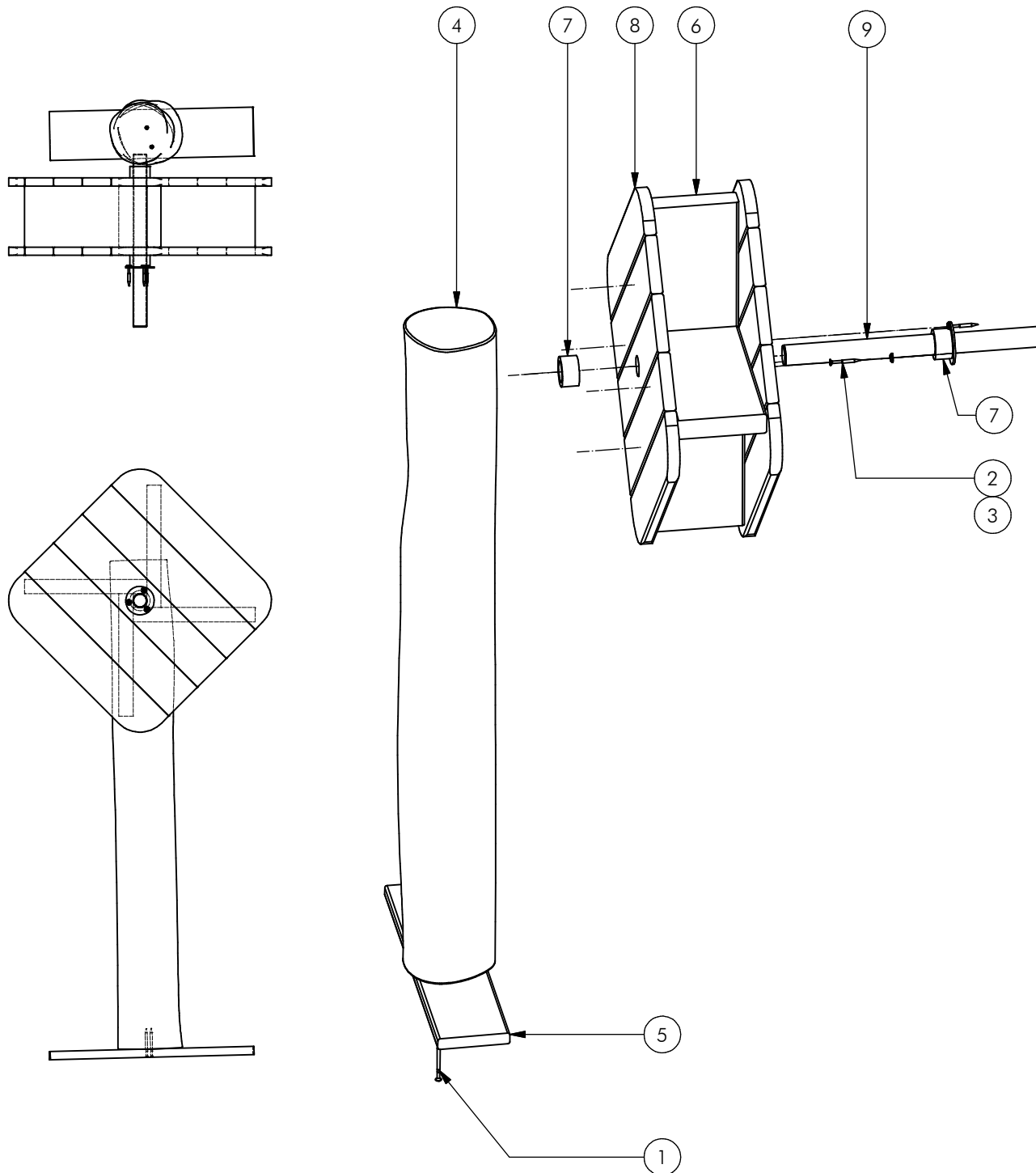
Benaming
Title Zandschep

Opmerking
Comment Bak en Katrol

Datum
Date 6-9-2011

Tekening
Drawing

MOD PST 032 001 A
Samenstelling module Assembly module



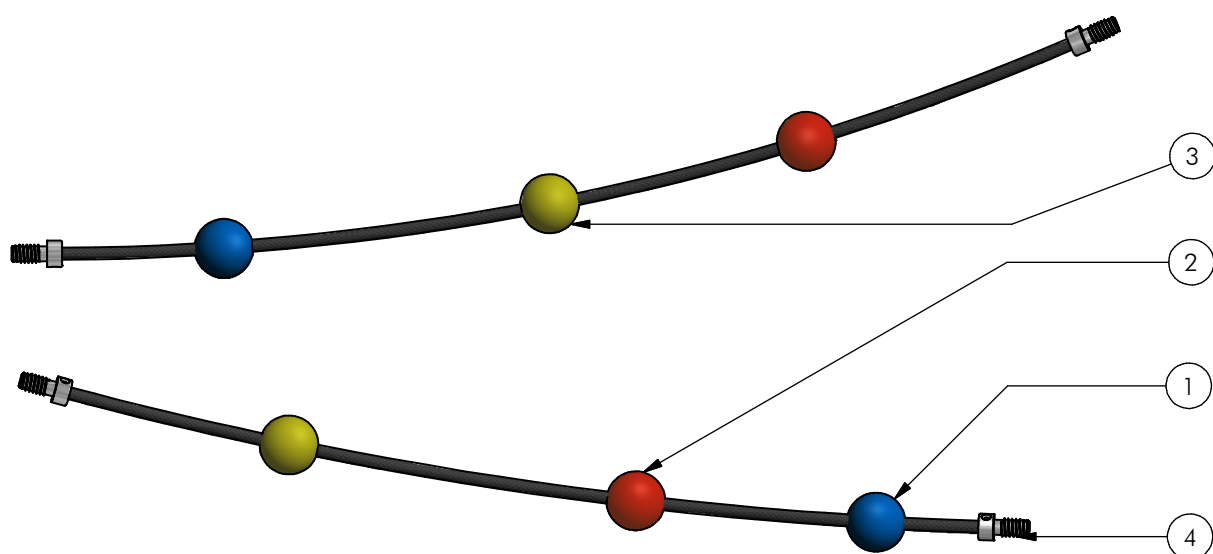
Nr	#	Type	Progr.	Volgnr	Bew.	Rev.	Benaming	Opmerking
1	2	BSR	002	005	070		Schroef Assy	5 x 70 - RVS A2-70
2	3	BSR	002	005	050		Schroef Assy	5 x 50 - RVS A2-70
3	3	BSR	036	005	015		Facet ring	M5 - RVS A2-70
4	1	OHO	PST	160	012		Paal 14-16	Lengte = 1200
5	1	OHO	PST	211	050		Standaard plank 120x20	Lengte = 500
6	4	OHO	PST	230	030		Plank 120x30	Lengte = 300
7	2	OME	MNP	112	372		Afstandbus	50/35, l=27
8	2	SHO	PST	070	001		Zijwand schoepenrad	Robinia
9	1	SME	PST	019	320	A	Steun	Voetsteun



Benaming Title Zandrad
 Opmerking Comment Adventure Play
 Datum Date 9-9-2016

Tekening Drawing

MOD PST 033 001 A
 Samenstelling module Assembly module



Nr	#	Type	Progr.	Volgnr	Bew.	Rev.	Benaming	Opmerking
1	2	KST	BOL	016	050		Telbol	Blauw
2	2	KST	BOL	016	030		Telbol	Rood
3	2	KST	BOL	016	010		Telbol	Geel
4	4	OME	BUS	002	RVS		Bus RVS schroef	touw d16
5	1	SNT	PST	016	007		2x Touw Ø16 Zwart,	L 1400mm



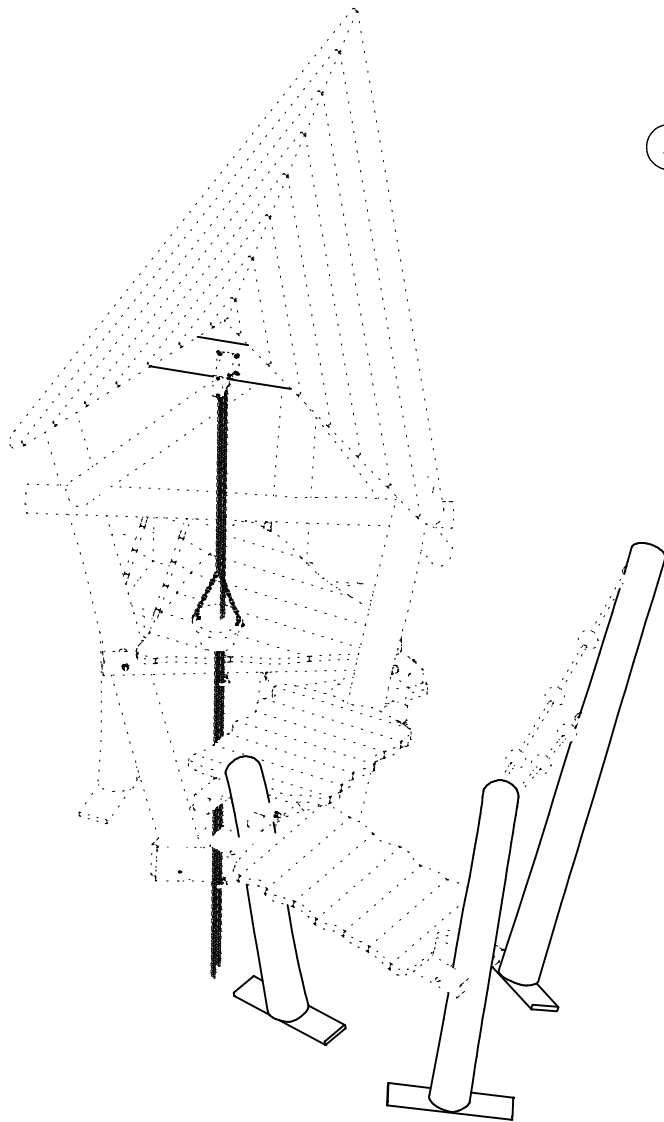
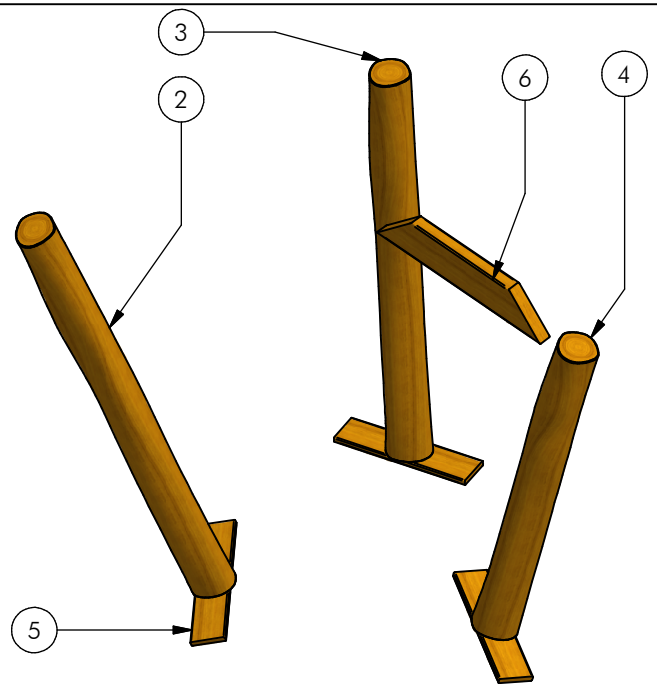
Benaming
Title | Speelballen

Opmerking
Comment | Adventure Play

Datum
Date | 23-8-2013

Tekening
Drawing

MOD PST 038 004 A
Samenstelling module *Assembly module*



Levering

Losse palen gekoppeld leveren, mbv
Telbollen en Klimplateau
(MOD.PST.029.001 & MOD.PST.038.004)

Losse palen voorzien van snel beton indien nodig!

Nr	#	Type	Progr.	Volgnr	Bew.	Rev.	Benaming	Opmerking
1	6	BSR	002	005	070		Schroef Assy	5 x 70 - RVS A2-70
2	1	OHO	PST	160	019		Paal 14-16	Lengte =1900
3	1	OHO	PST	160	016		Paal 14-16	Lengte =1600
4	1	OHO	PST	160	013		Paal 14-16	Lengte =1300
5	3	OHO	PST	211	050		Standaard plank 120x20	Lengte = 500
6	1	OHO	PST	307	027		Balk 150x50 L=740	Beide zijde 45° afgeschuind



Benaming
Title | Losse onderdelen

Opmerking
Comment | Adventure Play

Datum
Date | 9-9-2016

Tekening
Drawing

MOD PST 115 005 A
Samenstelling module Assembly module