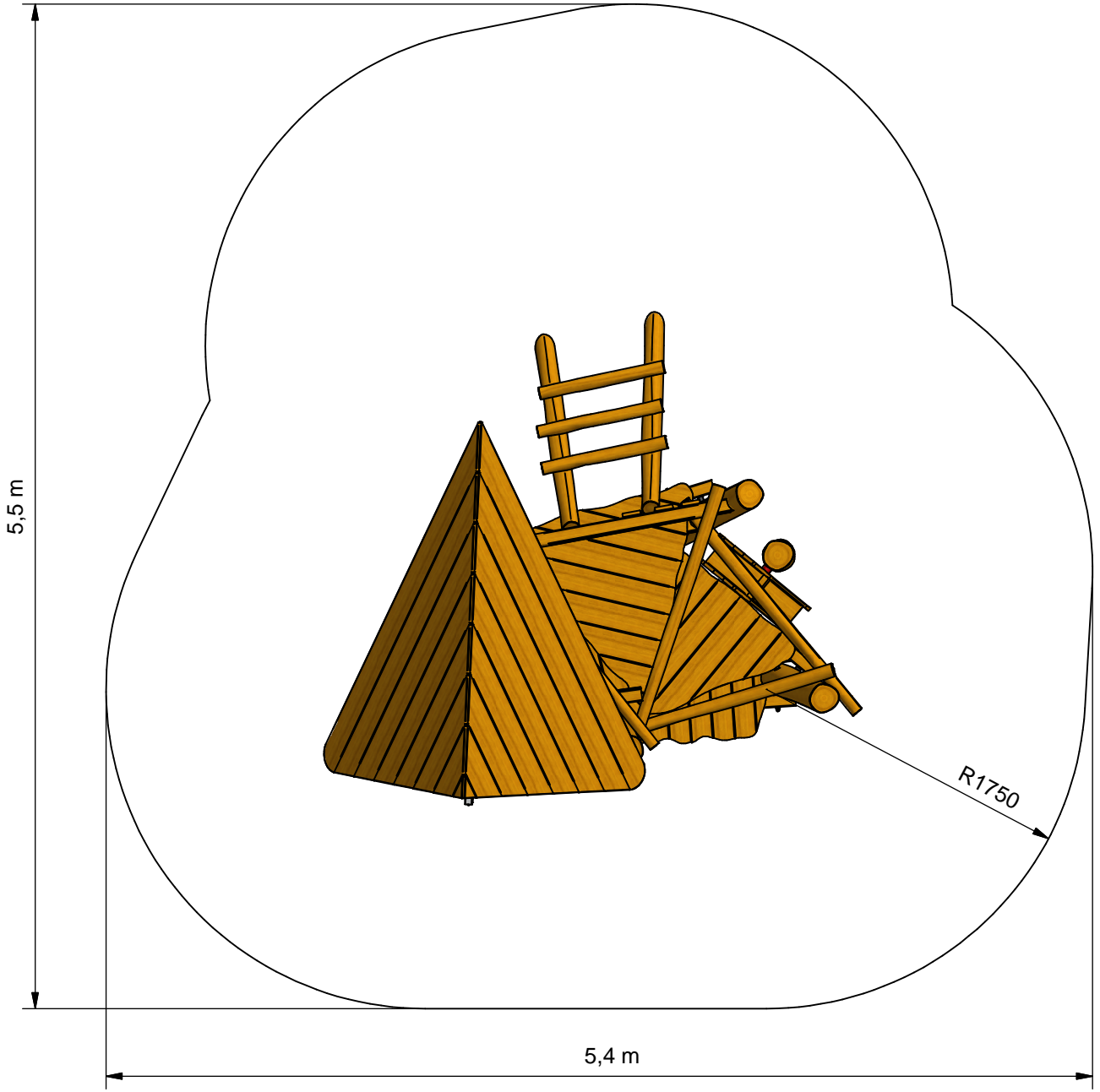




Sandplay equipment



PSTE110.001



- Opvangzone
Impact area
- Obstakelvrije zone
Obstacle free zone



Benaming
Title | Zandspeeltoestel

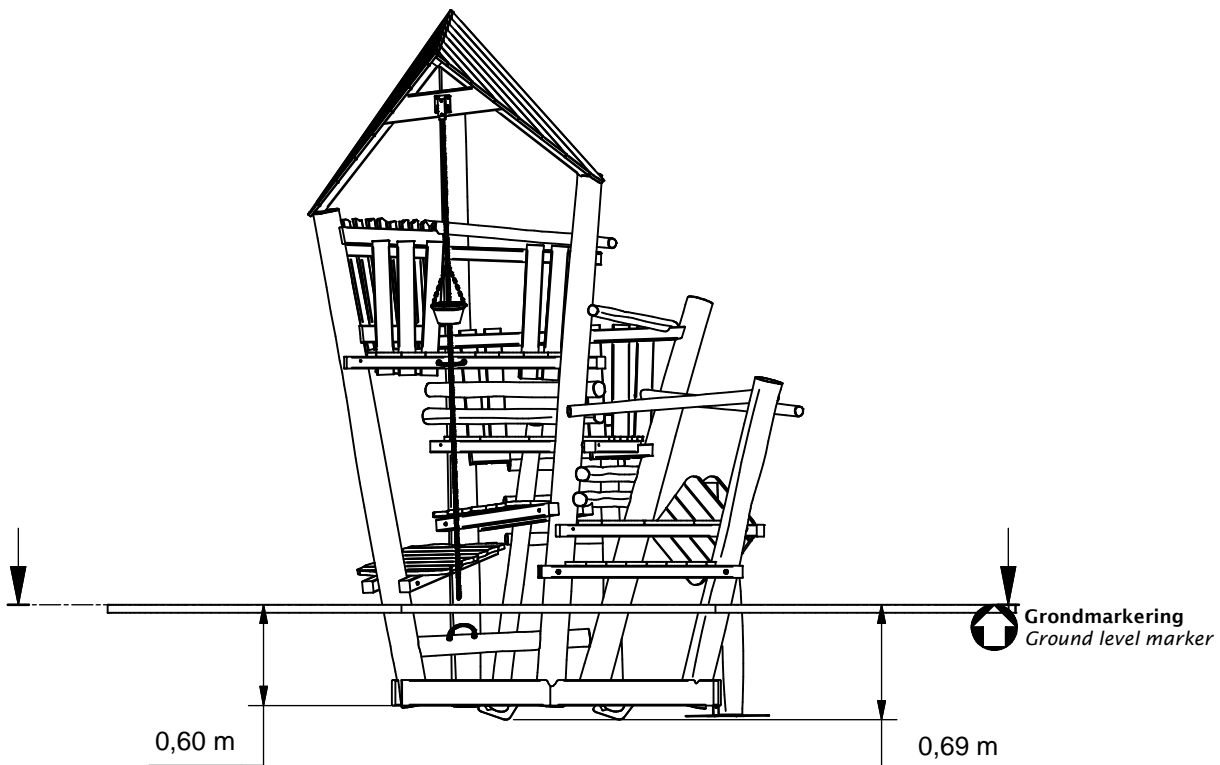
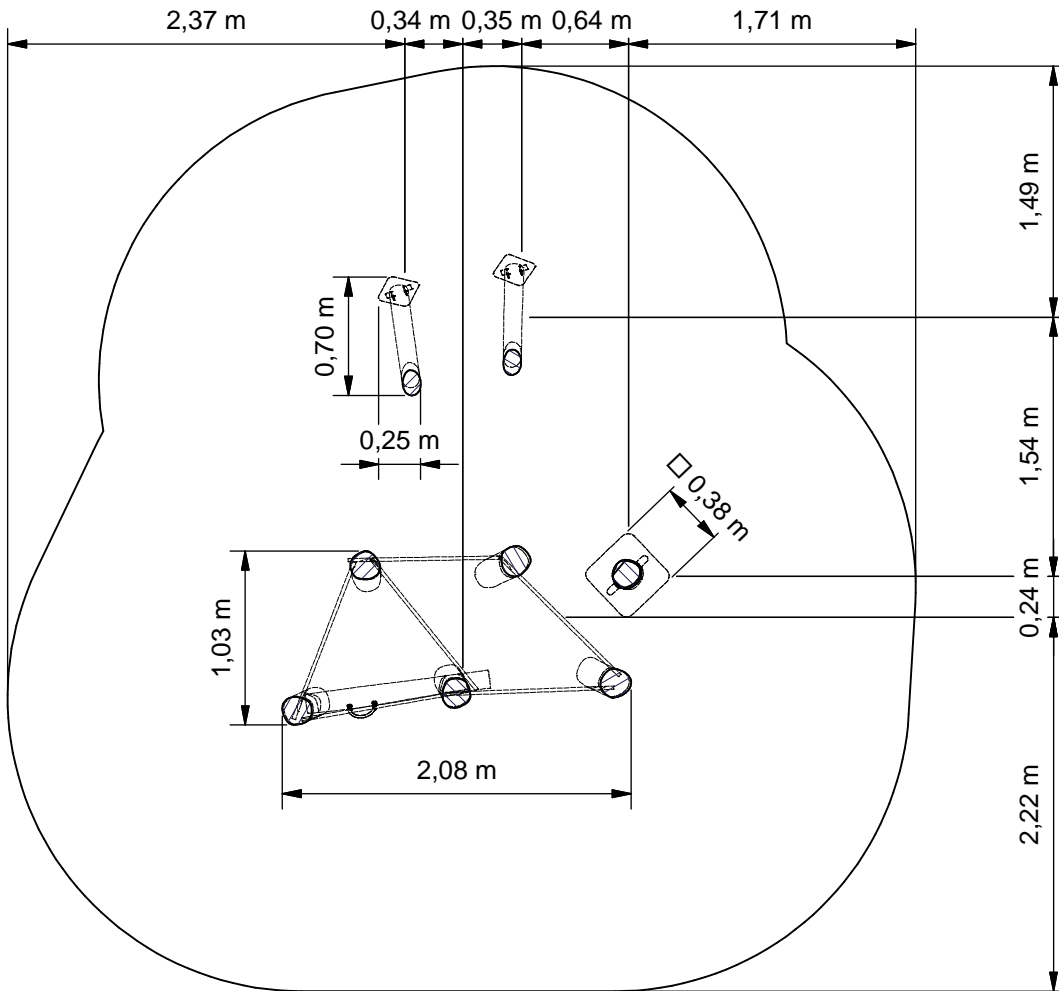
Opmerking
Comment | Adventure Play

Datum
Date | 11-10-2011

Tekening
Drawing

TOE PST 110 001

Obstakelvrije zone *Obstacle free zone*



Benaming
Title | Zandspeeltoestel

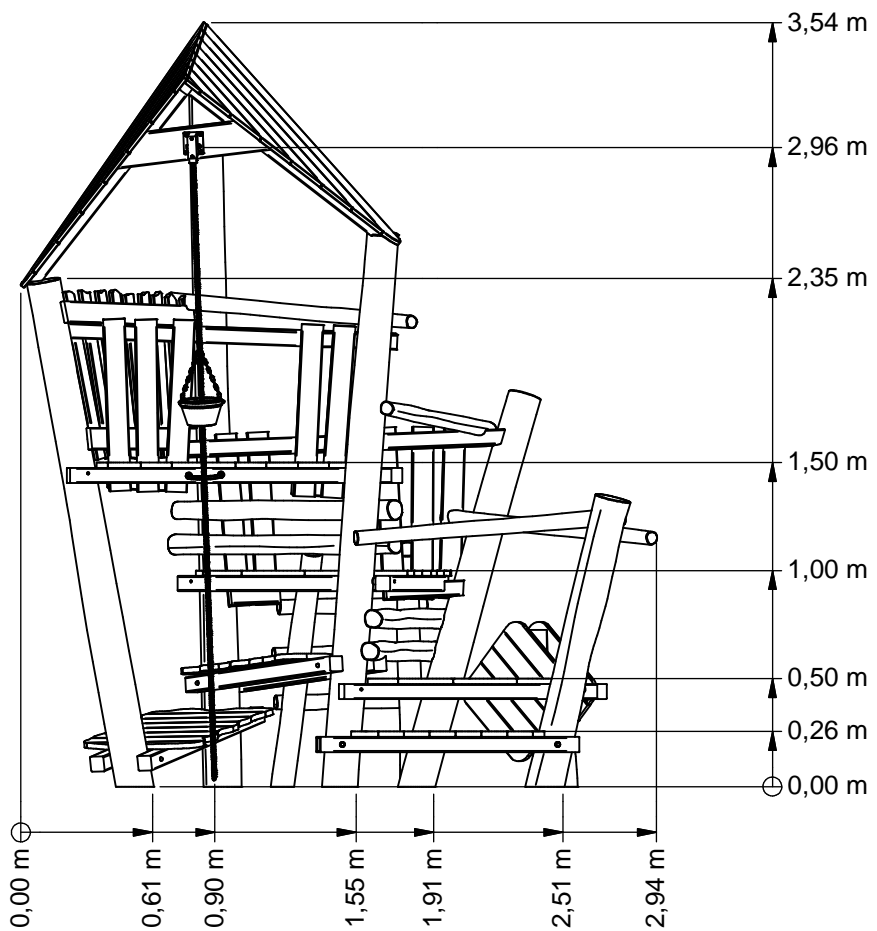
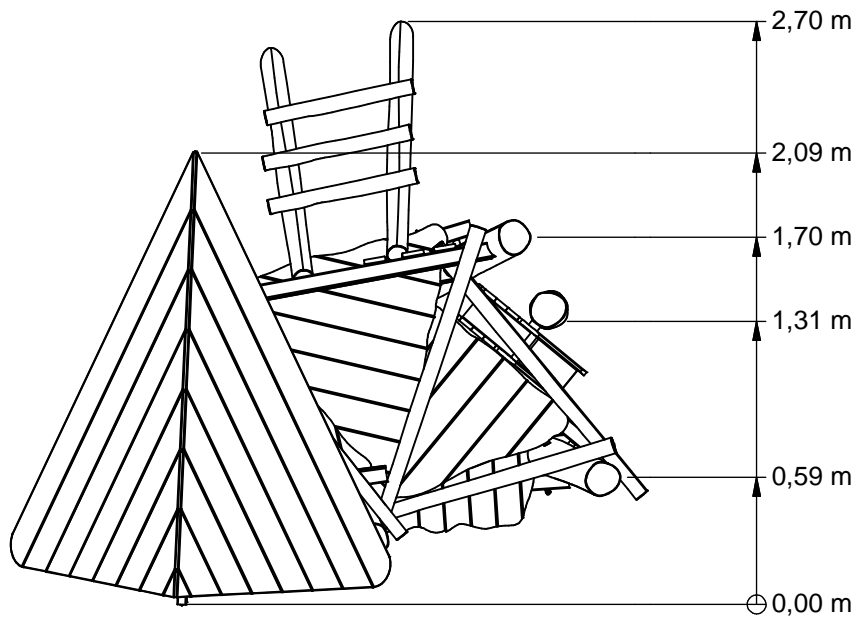
Opmerking
Comment | Adventure Play

Datum
Date | 11-10-2011

Tekening
Drawing

TOE PST 110 001

Bodemplan Groundplan



Benaming
Title Zandspeeltoestel

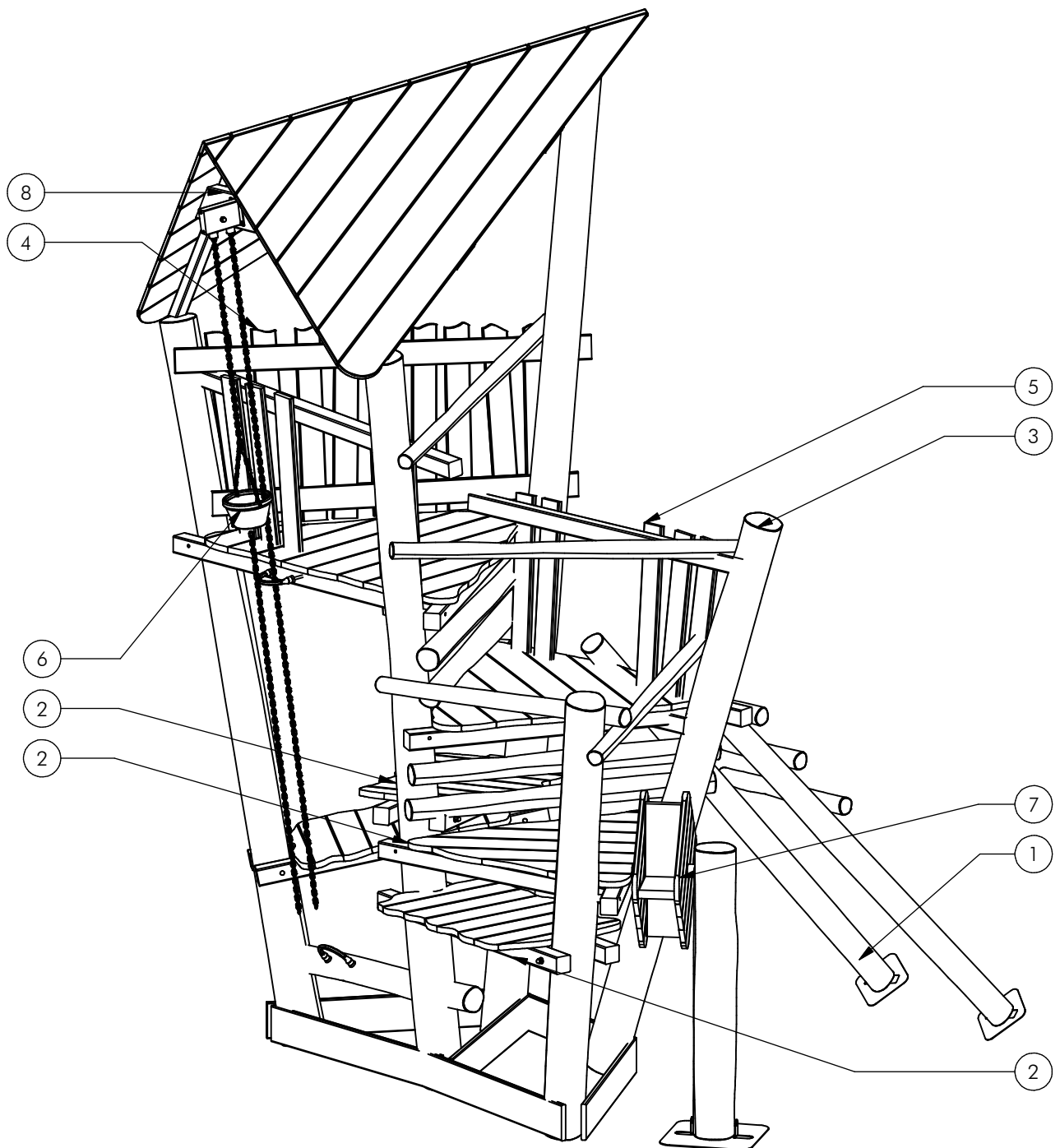
Opmerking
Comment Adventure Play

Datum
Date 11-10-2011

Tekening
Drawing

TOE PST 110 001

Afmetingen Dimensions



Nr	#	Type	Progr.	Volgnr	Bew.	Rev.	Benaming	Opmerking
1	1	MOD	PST	028	001	B	Ladder 1,0 m	Adventure Play
2	3	MOD	PST	029	001	A	Toonbank / zitbank	Adventure Play
3	1	MOD	PST	030	016		Klimtoren 0,5 - 1,0 - 1,5	Adventure Play
4	1	MOD	PST	031	001		Wandje 1,2	Adventure Play
5	2	MOD	PST	031	003		Wandje 1,2 opening 0,5	Adventure Play
6	1	MOD	PST	032	001	A	Zandschep	Bak en Katrol
7	1	MOD	PST	033	001		Zandrad	Adventure Play
8	1	MOD	PST	110	001		Losse Onderdelen	tbv PST.110.001



Benaming
Title Zandspeeltoestel

Opmerking
Comment Adventure Play

Datum
Date 11-10-2011

Tekening
Drawing

TOE PST 110 001

Modules Modules

Geleverde delen:

- A - Toren
- B - Ladder
- C - Zandrad
- D - Dak met zandtakel

Bevestiging sets:

- 1 - RVS M10 bevestigingsset voor de ladder
- 2 - RVS M10 bevestigingsset voor het dak

Montagevolgorde:

- 1 - Graaf de gaten volgens het bodemplan en plaats hierin A
- 2 - Plaats B, bevestig B met 1 aan A
- 3 - Plaats C, bevestig C aan A
- 4 - Plaats D, bevestig D met 2 aan A
- 5 - Controleer of het toestel voldoet aan de afmetingen zoals op blad 'afmetingen'
- 6 - Dicht de gaten en verdicht het zand

Controles:

- 1 - Correcte opbouw en alle bevestigingsmiddelen
- 2 - De uiterste hoogte van het platform (1,45m)
- 3 - Controleer de afmetingen van de valbodem t.o.v. het toestel

Supplied parts:

- A - Tower
- B - Ladder
- C - Sand wheel
- D - Roof with sand bucket

Mounting kits:

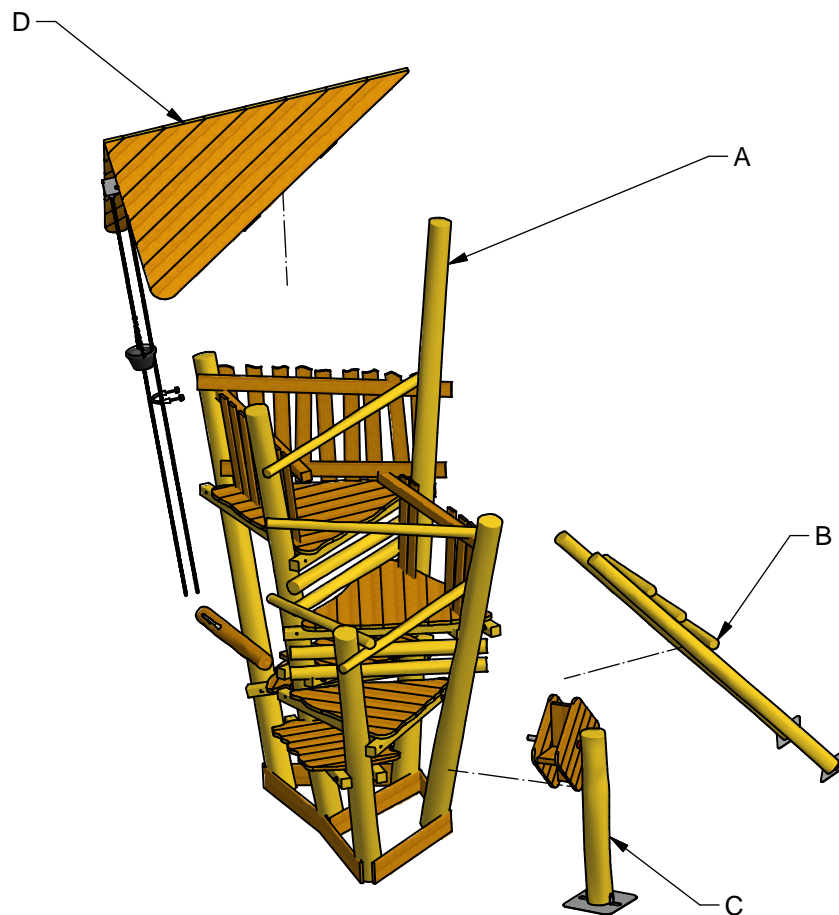
- 1 - Stainless steel M10 fastener set for the ladder
- 2 - Stainless steel M10 fastener set for the roof

Assembly sequence:

- 1 - Dig the holes according to the ground plan and place A
- 2 - Place B, attach B to A with 1
- 3 - Place C, attach C to A
- 4 - Place D, attach D to A with 2
- 5 - Check that the equipment conforms to the dimensions shown on sheet 'dimensions'
- 6 - Close the holes and compact the sand

Checks:

- 1 - Correct assembly and all the fasteners
- 2 - The maximum height of the platform (1,45 m)
- 3 - Check the dimensions of the safety area with regard to the play equipment



PSTE110.001

Sandplay equipment

LOGBOOK

(Onderstaand logboek kan gebruikt worden om te voldoen aan de eisen, gesteld in artikel 14 van het Warenwetbesluit Attractie- en Speeltoestellen)

Type indication	Adventure Play
Product code	PSTE110.001
Name of equipment	Zandspeeltoestel
Maximum height of fall	1,5 m
Year of construction	2017
inspection authority	-
Name manufacturer	BOERplay Hyacintstraat 2 - 4255 HX Nieuwendijk Phone: +31 (0)183 40 23 66 Fax: +31 (0)183 40 35 64
name installer	_____ _____
Description of equipment	Sandplay equipment
Location of equipment	_____
Data about the owner of the play equipment	
Name:	_____
Address:	_____
Postcode and town:	_____
Contact person:	_____
Telephone number:	_____
Data about the administrator of the play equipment	
Name:	_____
Address:	_____
Postcode and town:	_____
Contact person:	_____
Telephone number:	_____

LOGBOOK

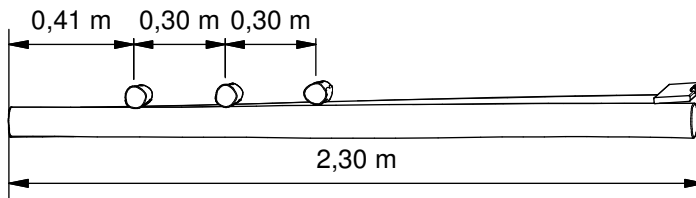
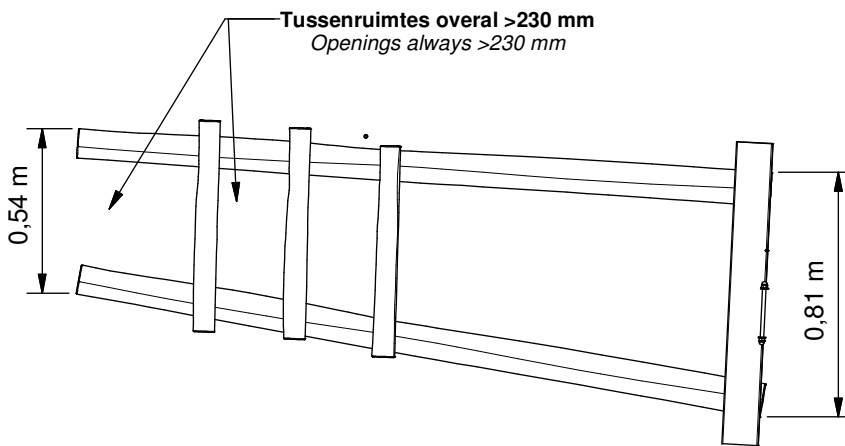
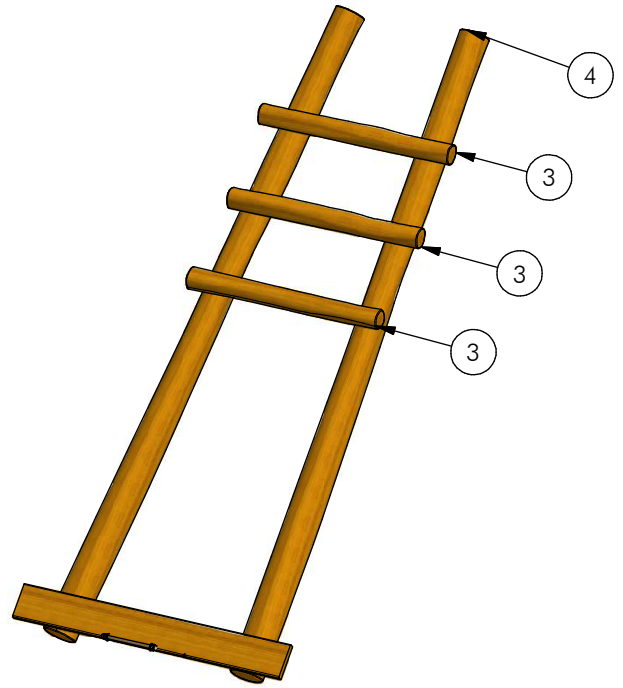
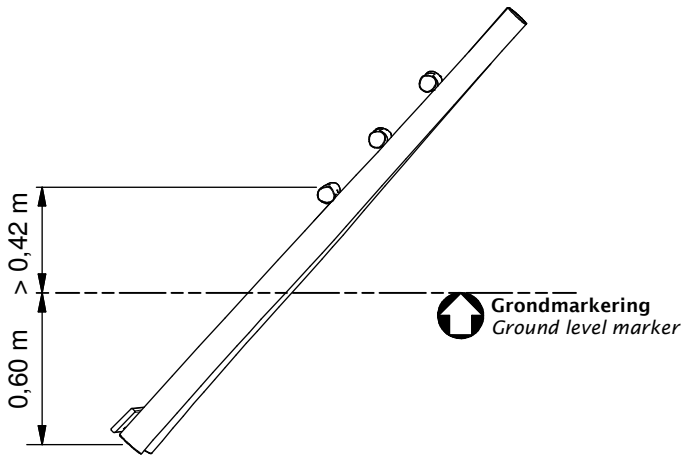
Inspection and maintenance intervals



Nr.	Inspection	Maintenance	months between inspections
1	Verify equipment's stability, junctions and missing parts. Inspect bolts, screws and nuts for absence, jams, corrosion and wear.	Add missing parts, secure joints, apply missing fixing agent and replace corroded parts.	1
2	Check suspension for wear.	Replace worn parts and/or remove non-functioning parts.	1
3	Inspect rotating parts such as hinges, rolling-element bearings, etc. for wear and acceptability.	Replace worn parts and/or remove non-functioning parts.	1
4	Check wood for splinters, unacceptable damage and signs of rot. Especially at ground level.	Repair damage. Replace affected wood. Smoothen splintered wood and sharp edges.	1
5	Inspect foundation for stability, tearing and coverage.	Restore foundation and covering material.	3
6	Examine rubber and synthetic parts for wear, damage and break.	Replace original parts.	3
7	Inspect metal for corrosion and damage in the coating.	Restore any damaged coating (after removing rust and applying primer).	6
8	Check ropes, cables, chains and nets for wear and damage. Steel cables and nets which are tensioned must be checked for tension.	Replace parts where necessary. Steel cables and nets must be tensioned.	3
9	Inspect equipment for unsafe changes and additions.	Remove unsafe additions and correct unsafe changes.	1
10	Inspect safety surfaces.	Restore and repair where necessary.	1

Remarks

1. If used intensively, all points require extra attention.
2. Extreme weather conditions and locations may require a higher inspection frequency. Discuss this with the supplier.
3. Vandalism-sensitive locations require stricter inspections, possibly daily.
4. Check the terrain regularly for items that do not belong there, are unsafe or may be used wrongly. Examples are poisonous plants, glass shards, etc. Frequency depends on strain.
5. Remember that bad maintenance leads to unsafe conditions and notably faster impoverishment of the playground area.
6. Replacement parts can be ordered at the manufacturer with the part numbers on the module drawing. Drawings can be found in de user guide.
7. The impact area shall be provided with impact attenuating surface according to the specified falling height.
8. This list is conform the CEN-standard "playground equipment and surfacing NEN-EN 1176-7".



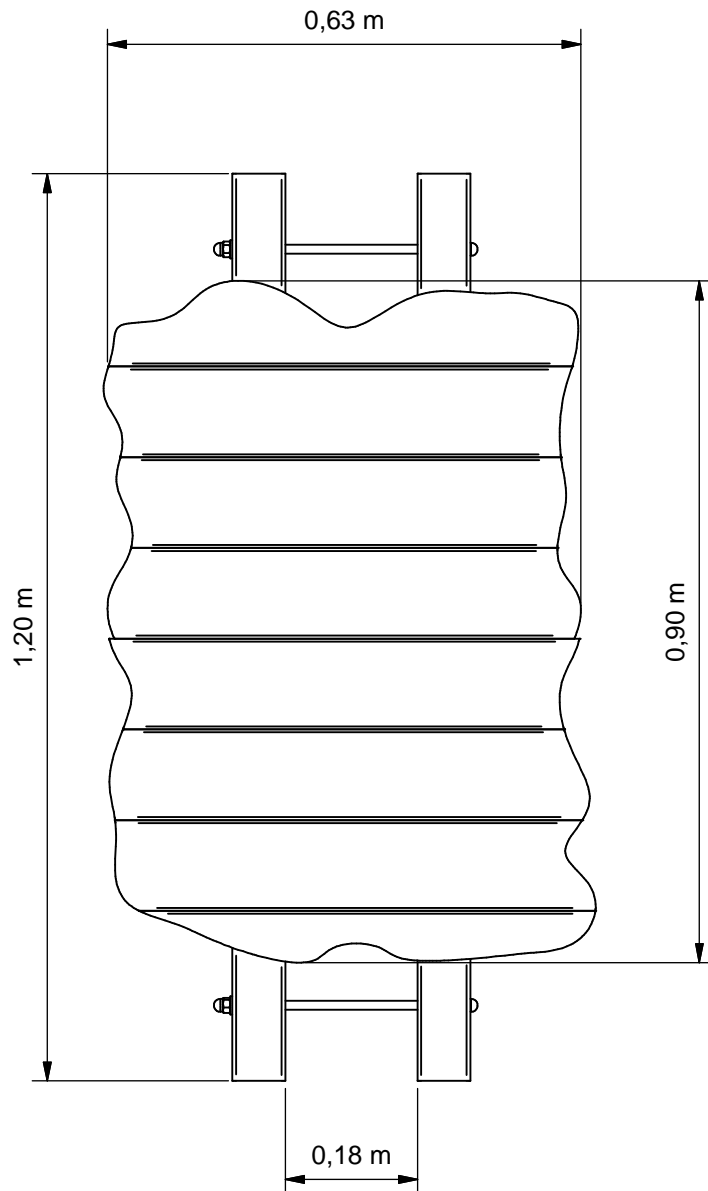
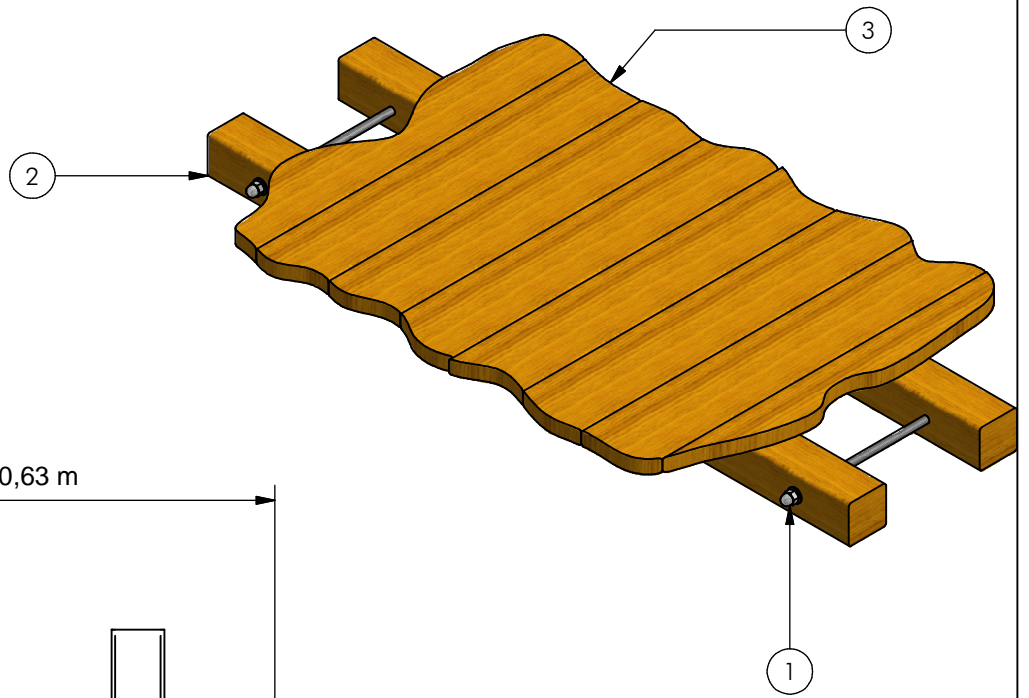
Nr.	#	Type	Progr.	Volgnr.	Bew.	Rev.	Benaming	Opmerking
1	8	BMR	SET	M12	180		Slotbout+dopm.+ringen	M12, L= 180, RVS A2-70
2	6	BSR	002	005	070		Schroef Assy	5 x 70 - RVS A2-70
3	3	OHO	PST	080	007		Paal 6	Lengte =700
4	2	OHO	PST	120	023		Paal 10-12	Lengte =2300
5	1	OHO	PST	211	100		Standaard plank 120x20	Lengte = 1000



Benaming / Title: Ladder 1,0 m
 Opmerking / Comment: Adventure Play
 Datum / Date: 3-4-2013

Tekening / Drawing

MOD PST 028 001 B
 Samenstelling module / Assembly module



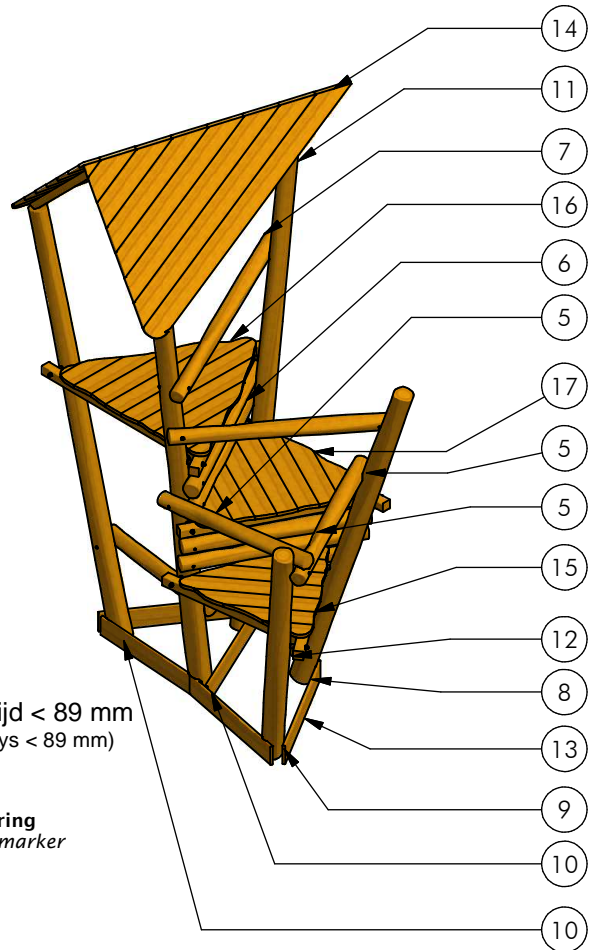
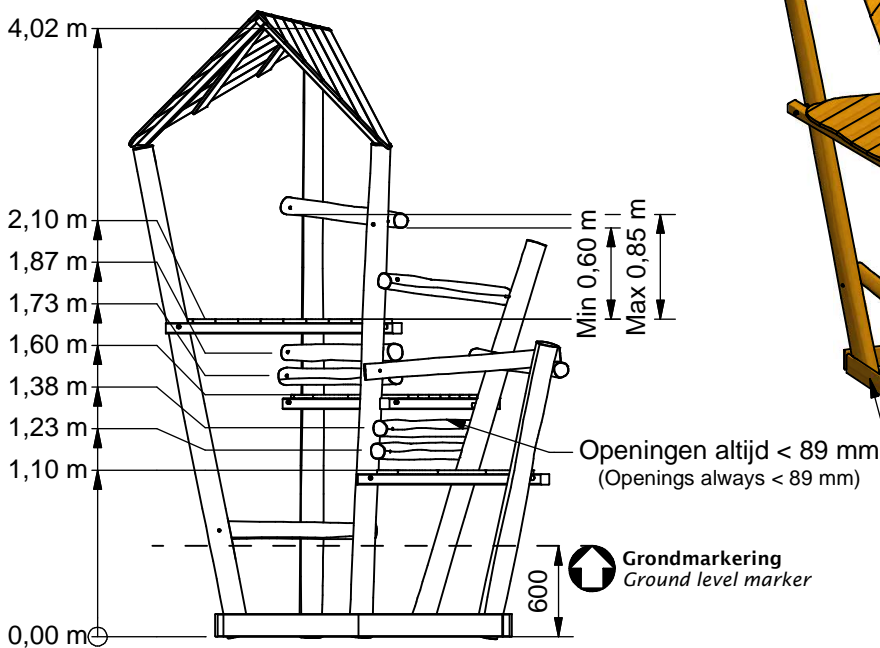
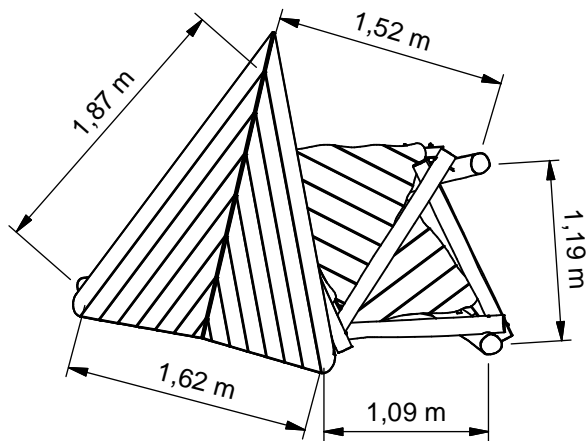
Nr	#	Type	Progr.	Volgnr	Bew.	Rev.	Benaming	Opmerking
1	2	BMR	SET	M12	320		Draadeind+dopm.+ringen	M12, L= 320, RVS A2-70
2	2	OHO	PST	307	120		70 mm Vierkante paal	1200 mm Lengte
3	1	SHO	PST	069	001		Zitvlak	Adventure Play



Benaming / Title: Toonbank / zitbank
 Opmerking / Comment: Adventure Play
 Datum / Date: 14-7-2014

Tekening / Drawing

MOD PST 029 001 A
 Samenstelling module / Assembly module



Nr	#	Type	Progr.	Volgnr	Bew.	Rev.	Benaming	Opmerking
1	9	BMR	SET	M12	220		Draadeind+dopm.+ringen	M12, L= 220, RVS A2-70
2	18	BMR	SET	M12	200		Draadeind+dopm.+ringen	M12, L= 200, RVS A2-70
3	22	BSR	002	005	070		Schroef Assy	5x70 RVS A2-70
4	1	OHO	PST	120	011		Paal 10-12	Langte =1100
5	4	OHO	PST	120	013		Paal 10-12	Langte =1300
6	3	OHO	PST	120	015		Paal 10-12	Langte =1500
7	1	OHO	PST	120	018		Paal 10-12	Langte =1800
8	1	OHO	PST	160	027		Paal 14-16	Langte =2700
9	1	OHO	PST	160	020		Paal 14-16	Langte =2000
10	2	OHO	PST	160	033		Paal 14-16	Langte =3300
11	1	OHO	PST	160	040		Paal 14-16	Langte =4000
12	1	OHO	PST	212	090		Plank 150x20	Langte = 900
13	5	OHO	PST	212	100		Plank 150x20	Langte = 1000
14	1	SHO	PST	064	001	A	Dakje toren	Adventure Play
15	1	SMD	PST	003	001		Vloertje 0,5 m	Adventure Play
16	1	SMD	PST	003	003		Vloertje 1,5 m	Adventure Play
17	1	SMD	PST	003	002		Vloertje 1m	Adventure Play



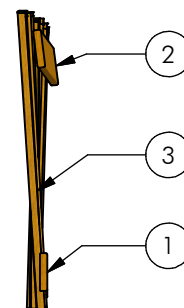
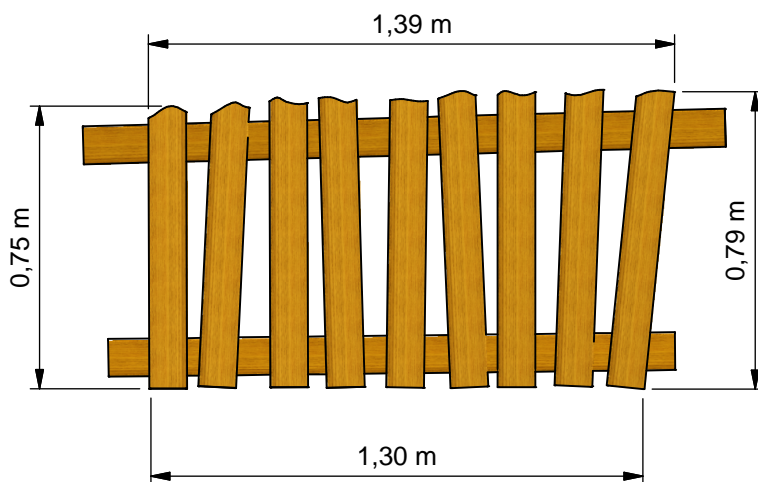
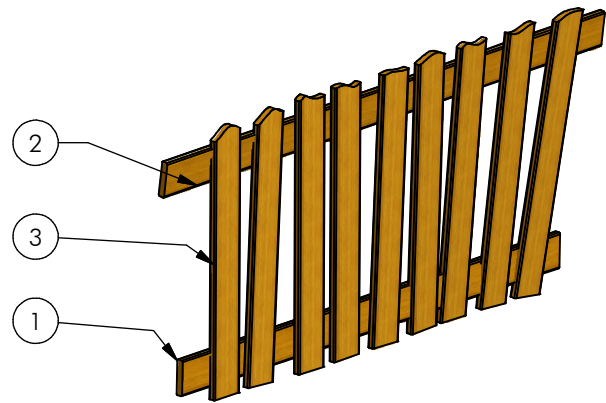
Benaming
Title Klimgoren 0,5 - 1,0 - 1,5

Opmerking
Comment Adventure Play

Datum
Date 19-3-2015

Tekening
Drawing

MOD PST 030 016 A
Samenstelling module Assembly module



Wan je opbouwen uit planken 100x20
 Maximale tussenafstand **85mm** op enig punt
 Doorsteek boven maximaal **35mm**
 Wandje bouwen in het toestel i.v.m. aansluitingen op de palen

POS	N	TYPE	PROJ.	NR.	BEH.	R	BENAMING	OPMERKING
1	1	OHO	PST	212	150		Plank 100x20	Lengte = 1500
2	1	OHO	PST	212	170		Plank 100x20	Lengte = 1700
3	1	SHO	PST	068	001		Wandje 2m	Adventure Play

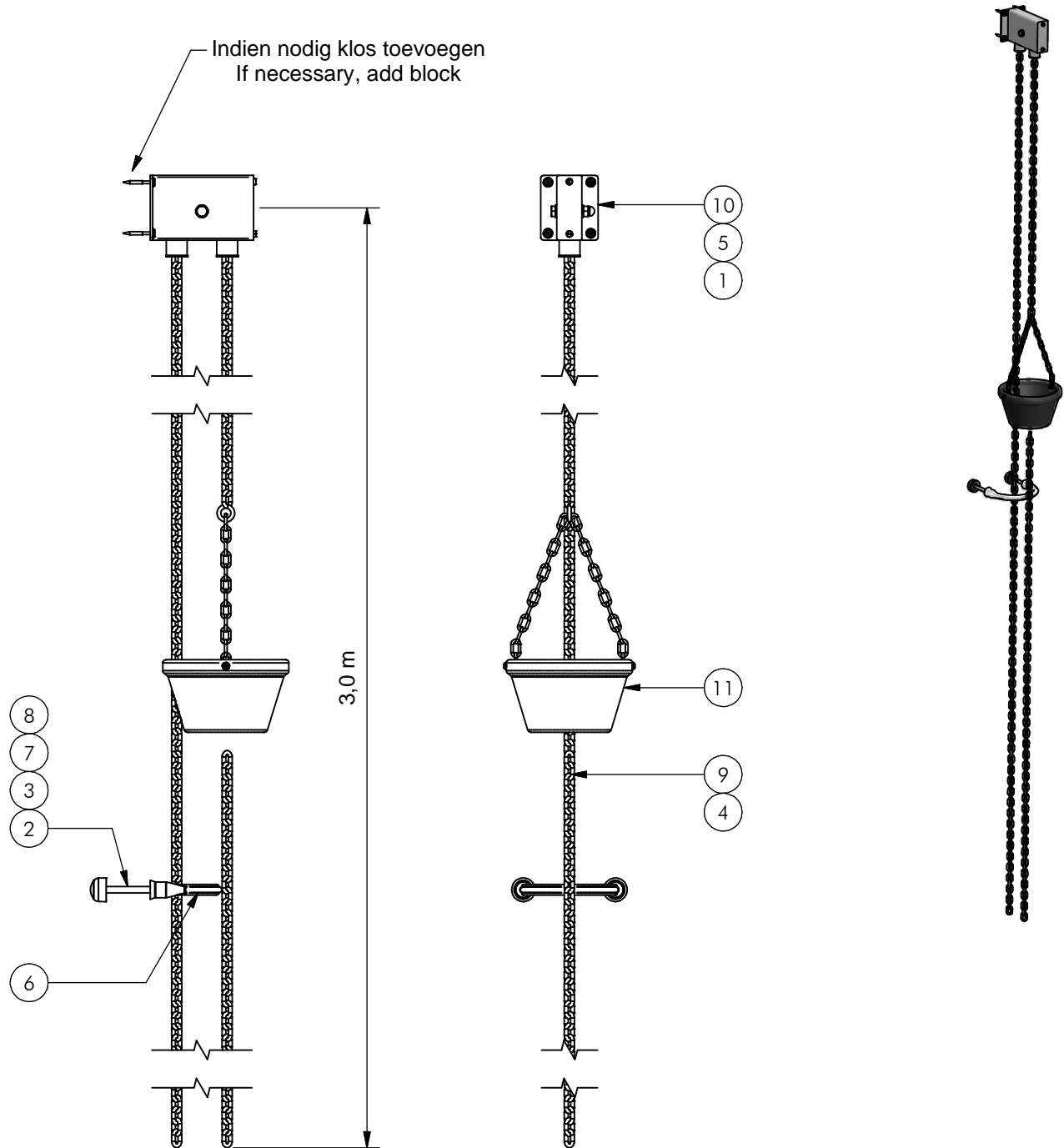


Benaming
 Title Wandje 1,2
 Opmerking
 Comment Adventure Play
 Datum
 Date 11-10-2011

Tekening
 Drawing

MOD PST 031 001

Samenstelling module *Assembly module*



11	1	RNT	ZND	002	320	ZANDEMMER	RUBBER NR. 1126
10	1	RNT	ZND	001	320	ZANDKATROL	RVS NR.1130
9	149	RNT	KET	006	002	KETTING	RVS 6 MM
8	2	KST	DOP	010	060	Beschermkop M10-M12	Dop zwart
7	2	KST	DON	010	060	Beschermkop M10-M12	Donut zwart
6	1	KST	310	183	402	Handgreep	Kunststof wit
5	4	BSR	036	005	015	Facet ring	M5 - RVS A2-70
4	2	BSR	031	005	000	D-Sluiting	5 mm, RVS A2-70
3	2	BSR	030	010	002	Sluitring	M10 - RVS A2-70
2	2	BSR	021	010	080	Zeskantbout	M10 x 80 - RVS A2-70
1	4	BSR	002	005	050	Schroef Assy	5 x 50 - RVS A2-70
POS	N	TYPE	PROJ	NR.	BEH.	R	BENAMING
							OPMERKING

Ketting Lengtes bepalen in werk



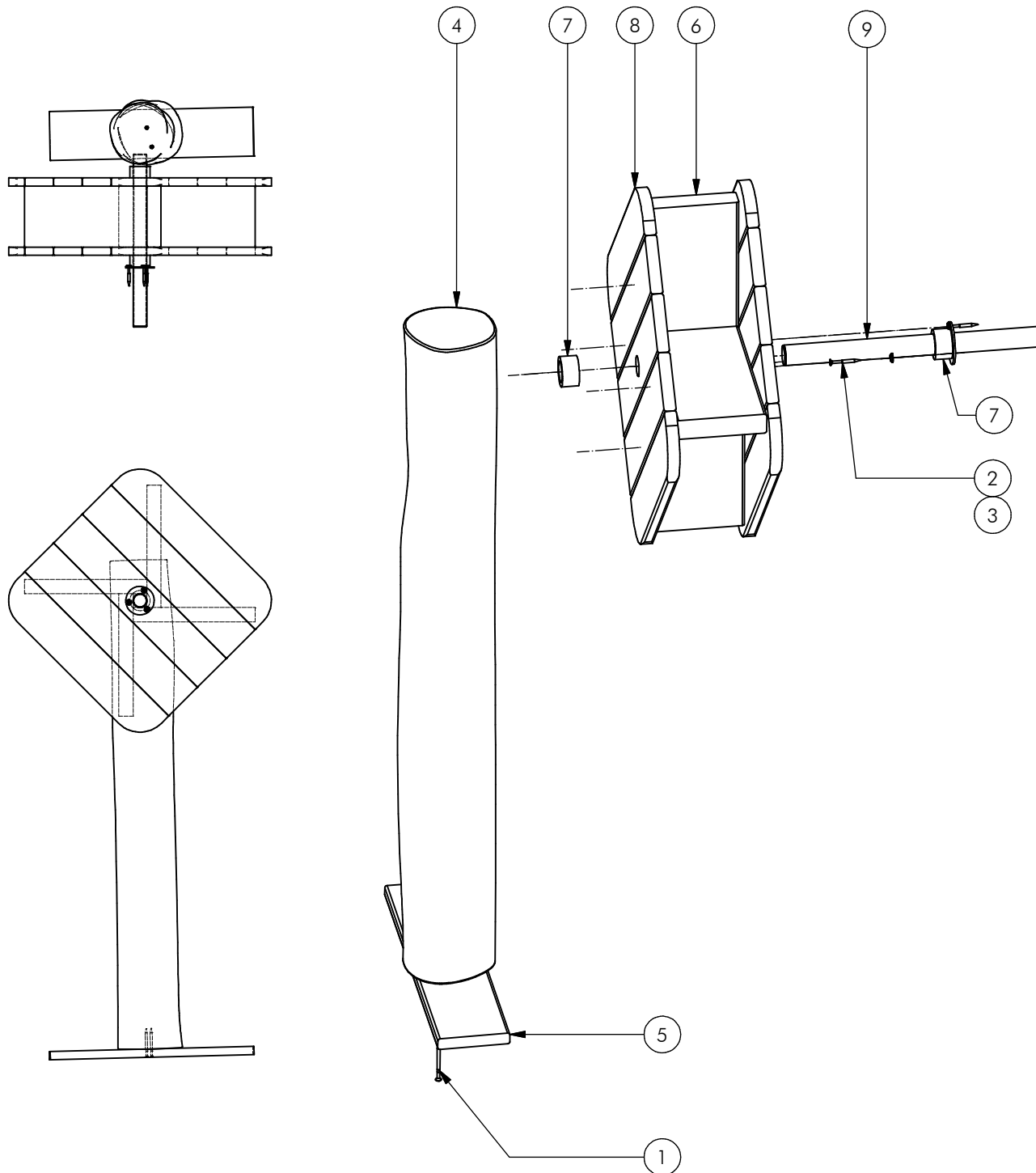
Benaming
Title Zandschep

Opmerking
Comment Bak en Katrol

Datum
Date 6-9-2011

Tekening
Drawing

MOD PST 032 001 A
Samenstelling module Assembly module



Nr	#	Type	Progr.	Volgnr	Bew.	Rev.	Benaming	Opmerking
1	2	BSR	002	005	070		Schroef Assy	5 x 70 - RVS A2-70
2	3	BSR	002	005	050		Schroef Assy	5 x 50 - RVS A2-70
3	3	BSR	036	005	015		Facet ring	M5 - RVS A2-70
4	1	OHO	PST	160	012		Paal 14-16	Lengte = 1200
5	1	OHO	PST	211	050		Standaard plank 120x20	Lengte = 500
6	4	OHO	PST	230	030		Plank 120x30	Lengte = 300
7	2	OME	MNP	112	372		Afstandbus	50/35, l=27
8	2	SHO	PST	070	001		Zijwand schoepenrad	Robinia
9	1	SME	PST	019	320	A	Steun	Voetsteun



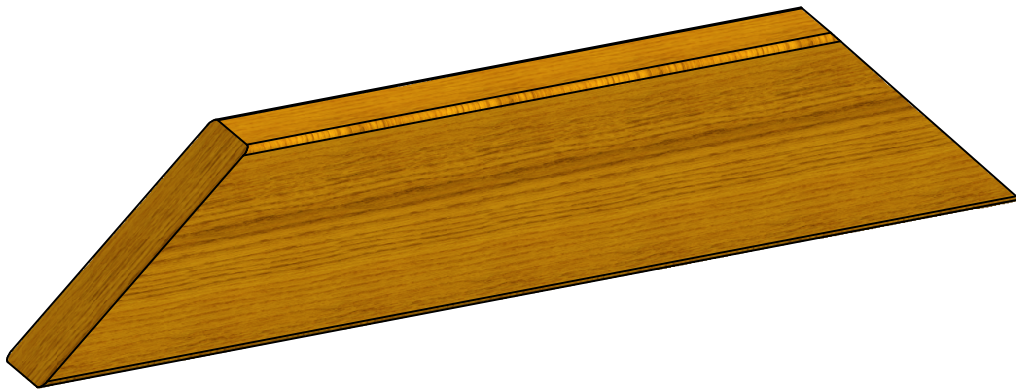
Benaming
Title Zandrad

Opmerking
Comment Adventure Play

Datum
Date 9-9-2016

Tekening
Drawing

MOD PST 033 001 A
 Samenstelling module Assembly module



Te gebruiken in PST-daken tbv MOD.032.001

POS	N	TYPE	PROJ.	NR.	BEH.	R	BENAMING	OPMERKING
1	1	OHO	PST	307	027		Balk 150x50 L=740	Beide zijde 45° afgeschuind



Benaming
Title | Losse Onderdelen |
Opmerking
Comment | tbv PST.110.001 |
Datum
Date | 11-10-2011 |

Tekening
Drawing

MOD PST 110 001

Samenstelling module *Assembly module*