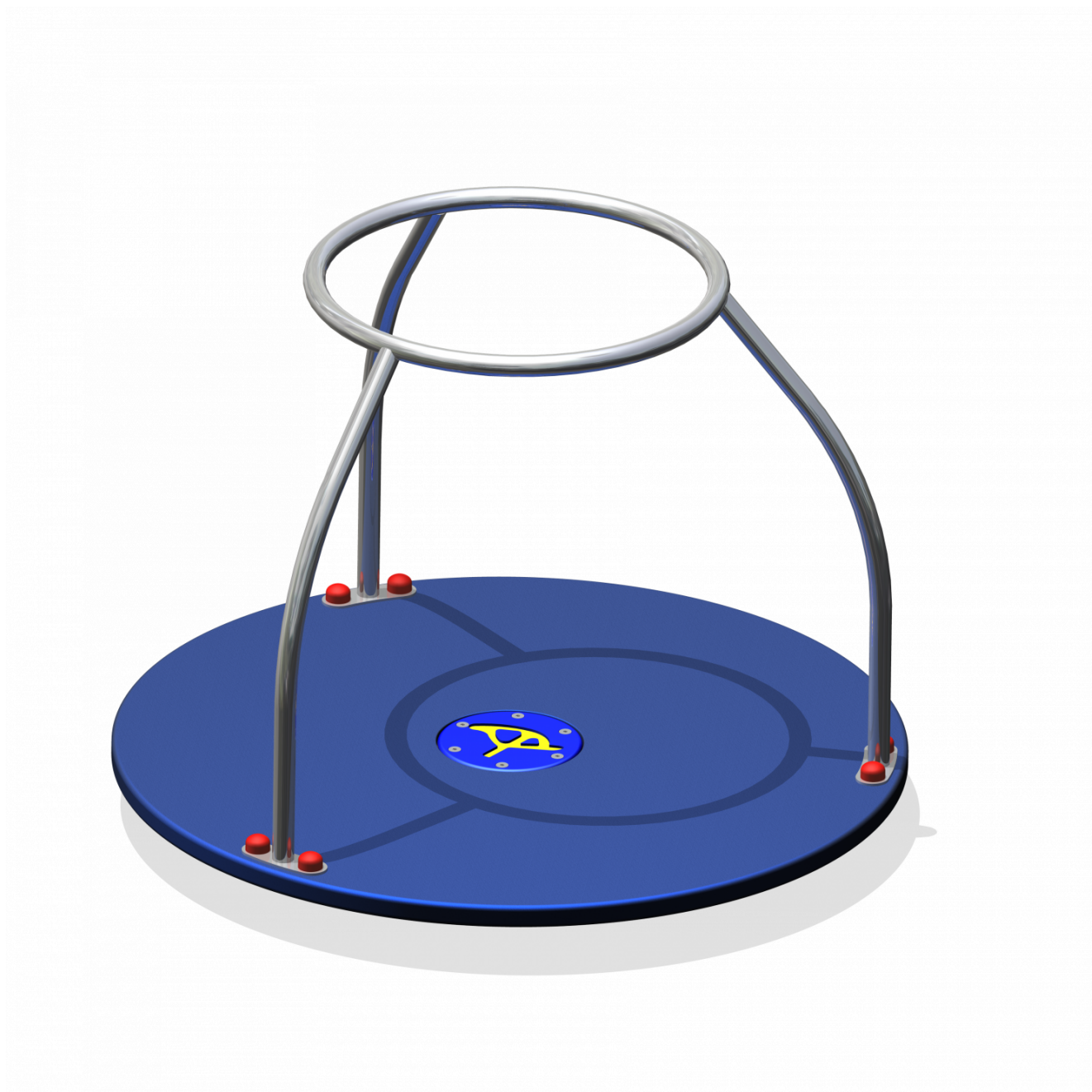
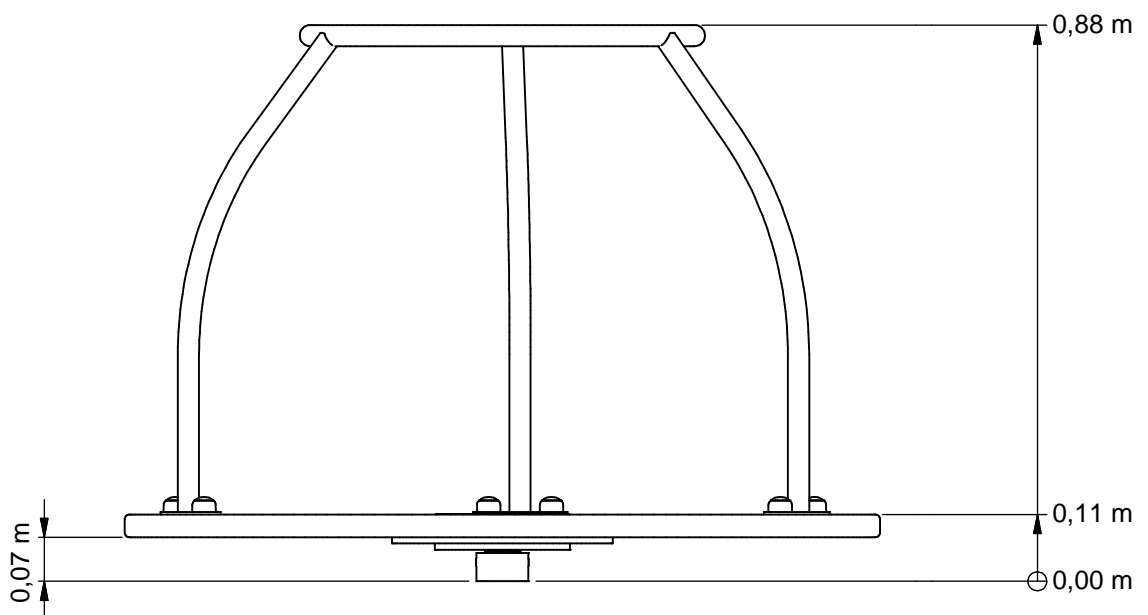
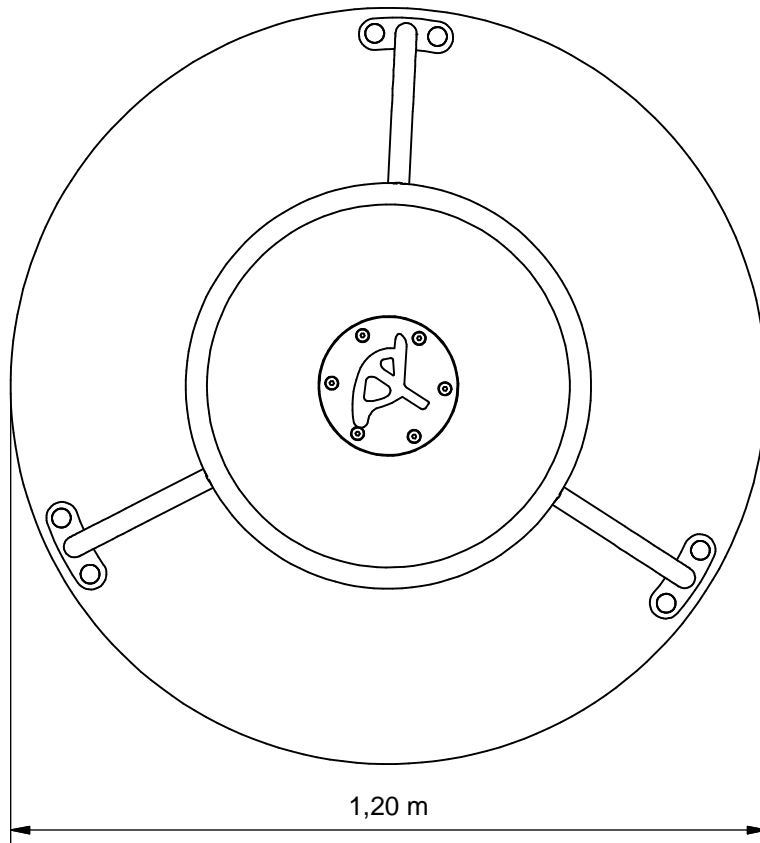




Revolving plate



SOLE030.152



Benaming
Title Meestapduizel

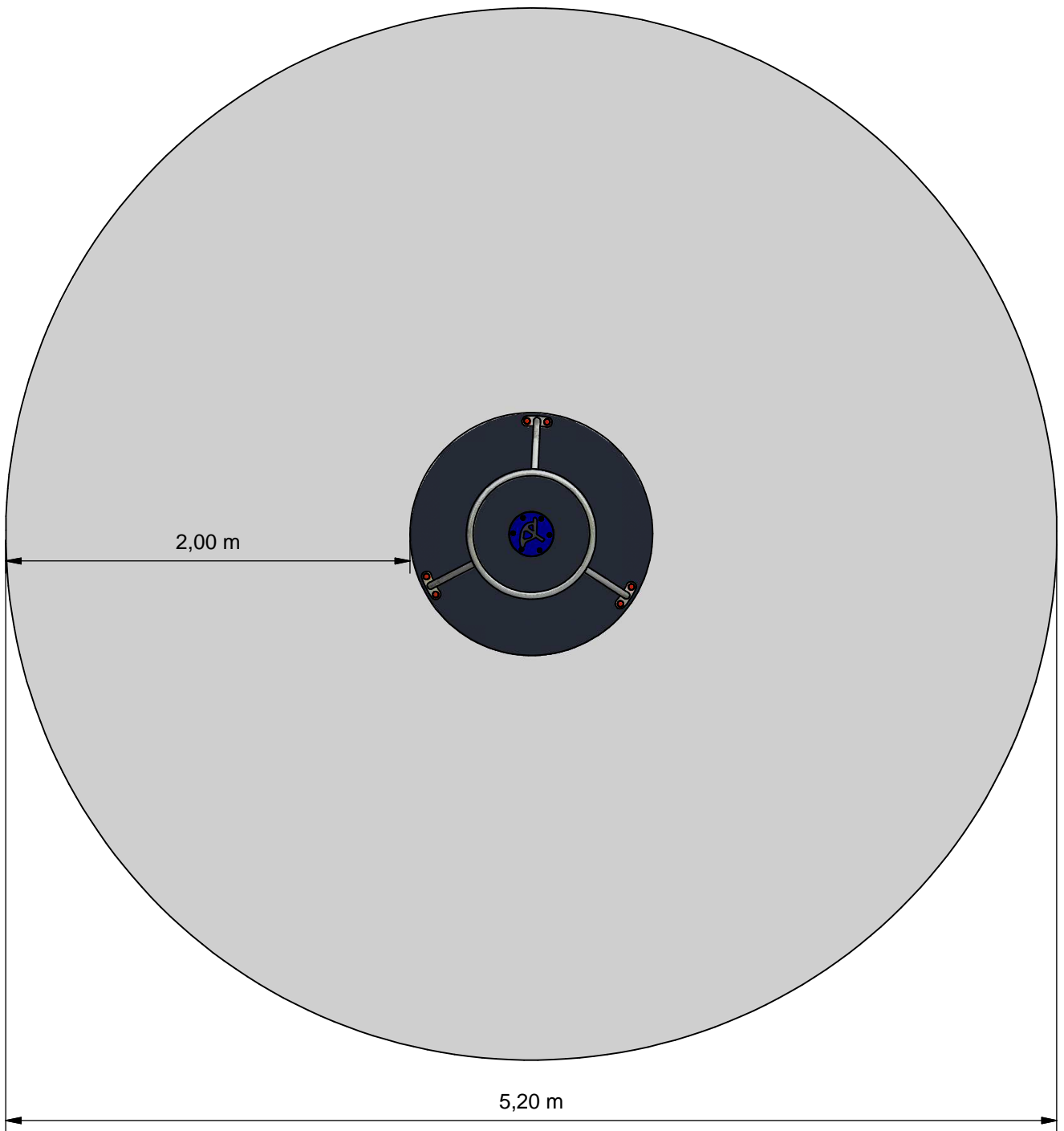
Opmerking
Comment

Datum
Date 8-8-2016

Tekening
Drawing

TOE SOL 030 152 B

Afmetingen Dimensions



- Opvangzone**
Impact area
- Obstakelvrije zone**
Obstacle free zone



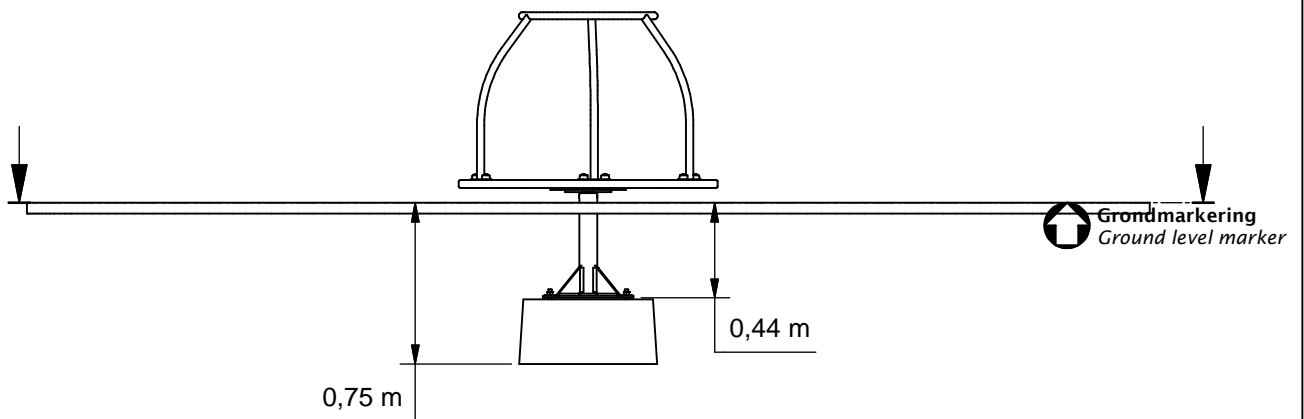
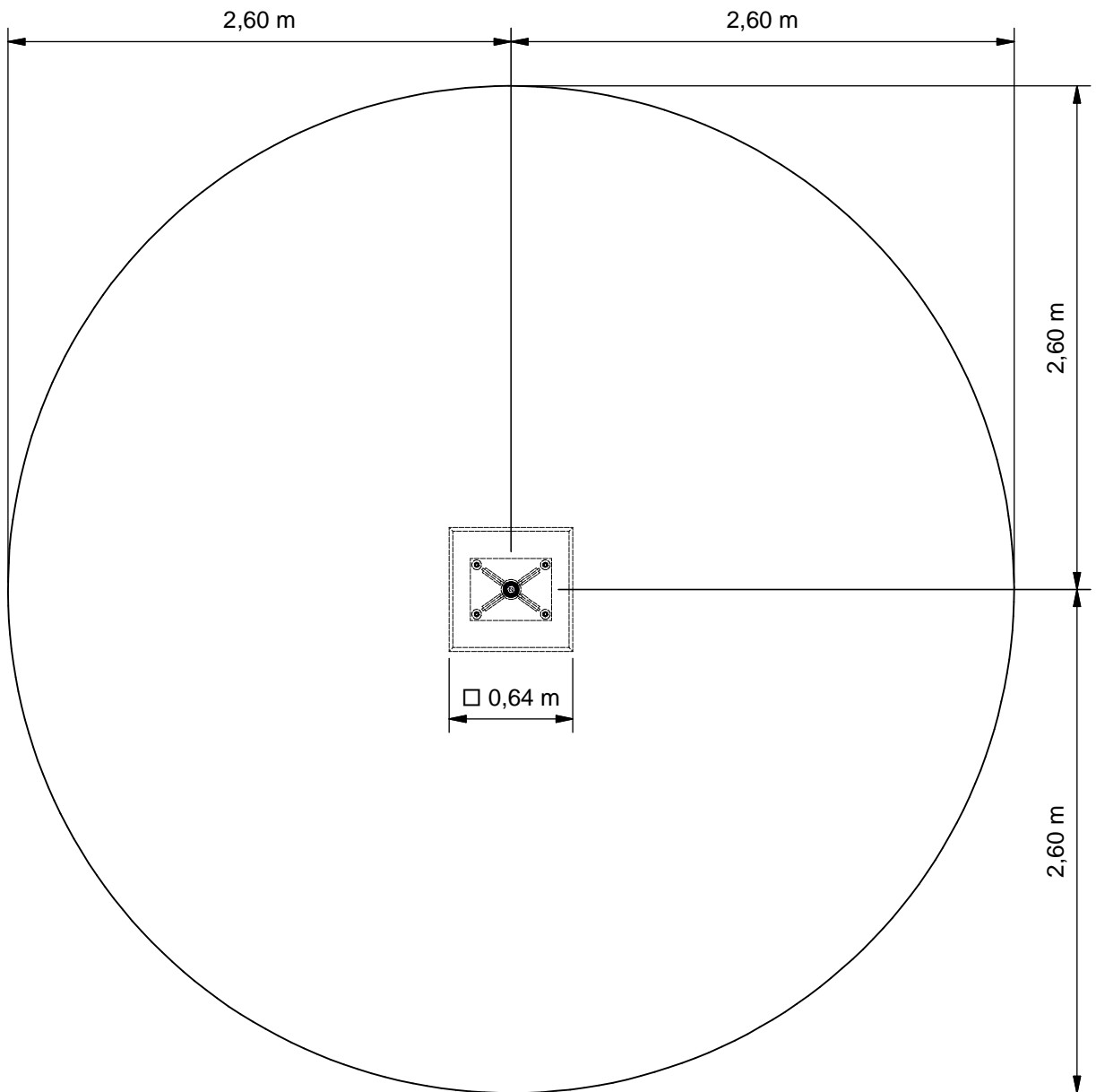
Benaming
Title Meestapduizel

Opmerking
Comment

Datum
Date 8-8-2016

Tekening
Drawing

TOE SOL 030 152 B
Obstakelvrije zone *Obstacle free zone*



Benaming
Title | Meestapduizel

Opmerking
Comment

Datum
Date | 8-8-2016

Tekening
Drawing

TOE SOL 030 152 B

Bodemplan *Groundplan*

Geleverde modules:

Zie tabel

Supplied modules:

See table

Montageinstructie:

- De hoofdmaten geven de maten van de staanders en vloeren aan
- De detailtekeningen geven specifiek de maten van de verbindingen aan
- De modules met buizen zijn op de tekeningen bemaat op bovenkant kopplaat
- Overige modules zijn bemaat op de bovenkant (klimwanden, paalkoppen, etc.)

Assembly instruction:

- The main dimensions indicate the dimensions of the posts and floors
- The detailed dimensions show the specific dimensions of the connections
- The modules which contain tubes are dimensioned at the top of the flanges
- Other modules are dimensioned at the top (climbing walls, caps for the posts, etc.)

Montagevolgorde:

- 1 - Graaf de gaten volgens het bodemplan
- 2 - Plaats 1
- 3 - Plaats 3 en verbind deze aan 1
- 4 - Plaats 2 en verbind deze aan 3
- 5 - Controleer of het toestel voldoet aan de afmetingen zoals op blad 'afmetingen'
- 6 - Dicht de gaten en verdicht het zand

Assembly sequence:

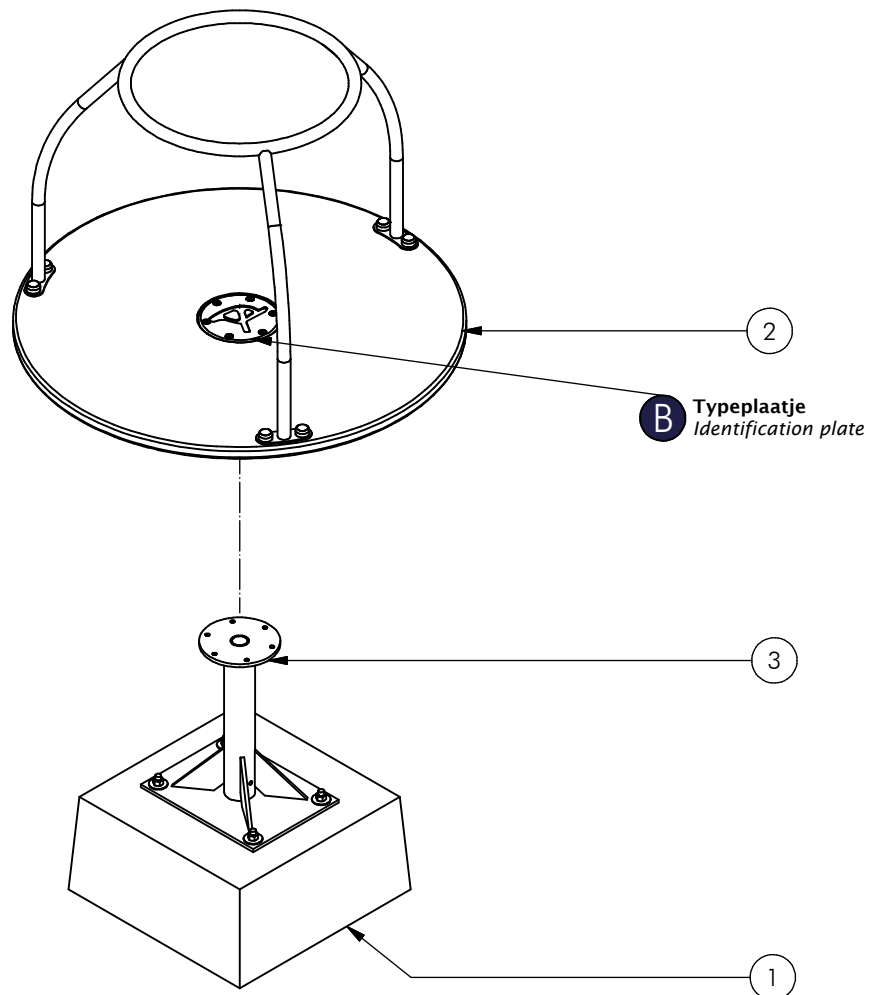
- 1 - Dig the holes according to the ground plan
- 2 - Place 1
- 3 - Place 3 and attach it to 1
- 4 - Place 2 and attach it to 3
- 5 - Check that the equipment conforms to the dimensions shown on sheet 'dimensions'
- 6 - Close the holes and compact the sand

Controles:

- 1 - Correcte opbouw en alle bevestigingsmiddelen
- 2 - Controleer de afmetingen van de valbodem t.o.v. het toestel

Checks:

- 1 - Correct assembly and all the fasteners
- 2 - Check the dimensions of the safety area with regard to the play equipment



Nr	#	Type	Progr.	Volgnr	Bew.	Rev.	Benaming	Opmerking
1	1	MOD	OBT	007	002		Poermodel 7	245 kilo
2	1	MOD	ROT	010	004	C	Draaideel	Meestapduizel
3	1	MOD	ROT	070	003	B	Anker	Duizel



Benaming
Title Meestapduizel

Opmerking
Comment

Datum
Date 8-8-2016

Tekening
Drawing

TOE SOL 030 152 B

Modules Modules

SOLE030.152

Revolving plate

LOGBOOK

(Onderstaand logboek kan gebruikt worden om te voldoen aan de eisen, gesteld in artikel 14 van het Warenwetbesluit Attractie- en Speeltoestellen)

Type indication	Pioneer Play
Product code	SOLE030.152
Name of equipment	Meestapduizel
Maximum height of fall	1,0 m
Year of construction	2017
Certificate	09100312662
inspection authority	Liftinstituut B.V. Buikslotermeerplein 381, A'dam - 1025 XE Amsterdam
Name manufacturer	BOERplay Hyacintstraat 2 - 4255 HX Nieuwendijk Phone: +31 (0)183 40 23 66 Fax: +31 (0)183 40 35 64
name installer	_____ _____
Description of equipment	Revolving plate
Location of equipment	_____
Data about the owner of the play equipment	
Name:	_____
Address:	_____
Postcode and town:	_____
Contact person:	_____
Telephone number:	_____
Data about the administrator of the play equipment	
Name:	_____
Address:	_____
Postcode and town:	_____
Contact person:	_____
Telephone number:	_____

LOGBOOK

Inspection and maintenance intervals



Nr.	Inspection	Maintenance	months between inspections
1	Verify equipment's stability, junctions and missing parts. Inspect bolts, screws and nuts for absence, jams, corrosion and wear.	Add missing parts, secure joints, apply missing fixing agent and replace corroded parts.	1
2	Check suspension for wear.	Replace worn parts and/or remove non-functioning parts.	1
3	Inspect rotating parts such as hinges, rolling-element bearings, etc. for wear and acceptability.	Replace worn parts and/or remove non-functioning parts.	1
4	Check wood for splinters, unacceptable damage and signs of rot. Especially at ground level.	Repair damage. Replace affected wood. Smoothen splintered wood and sharp edges.	1
5	Inspect foundation for stability, tearing and coverage.	Restore foundation and covering material.	3
6	Examine rubber and synthetic parts for wear, damage and break.	Replace original parts.	3
7	Inspect metal for corrosion and damage in the coating.	Restore any damaged coating (after removing rust and applying primer).	6
8	Check ropes, cables, chains and nets for wear and damage. Steel cables and nets which are tensioned must be checked for tension.	Replace parts where necessary. Steel cables and nets must be tensioned.	3
9	Inspect equipment for unsafe changes and additions.	Remove unsafe additions and correct unsafe changes.	1
10	Inspect safety surfaces.	Restore and repair where necessary.	1

Remarks

1. If used intensively, all points require extra attention.
2. Extreme weather conditions and locations may require a higher inspection frequency. Discuss this with the supplier.
3. Vandalism-sensitive locations require stricter inspections, possibly daily.
4. Check the terrain regularly for items that do not belong there, are unsafe or may be used wrongly. Examples are poisonous plants, glass shards, etc. Frequency depends on strain.
5. Remember that bad maintenance leads to unsafe conditions and notably faster impoverishment of the playground area.
6. Replacement parts can be ordered at the manufacturer with the part numbers on the module drawing. Drawings can be found in de user guide.
7. The impact area shall be provided with impact attenuating surface according to the specified falling height.
8. This list is conform the CEN-standard "playground equipment and surfacing NEN-EN 1176-7".

TYPE-EXAMINATION CERTIFICATE

Acting under the "Warenwetbesluit Attractie- en Speeltoestellen" issued by Liftinstituut B.V.
commissioned by departmental order, no. VGP/PSL 2857566 from 27 Juni 2008.

Certificate nr. : NL 09-100312662 Revision nr.: -

Description of the product : Meestapduizel, playground equipment carousel

Trademark, type : Boer Speeltoestellen
TOE SOL 030 152

Name and address of the manufacturer : Boer Speeltoestellen
Hyacinthstraat 2
4255 HX Nieuwendijk

Name and address of the certificate holder : Boer Speeltoestellen
Hyacinthstraat 2
4255 HX Nieuwendijk

Certificate issued on the basis of the following requirements : Warenwetbesluit Attractie- en Speeltoestellen,
NEN-EN 1176-1:2008, NEN-EN 1176-5:2008

Test laboratory : None

Date and number of the laboratory report : None

Date of type-examination : 13 October 2008 – 30 March 2009

Annexes with this certificate : Report belonging to the type-examination certificate
nr.: 100312662


Additional remarks : None

Conclusion : The playground equipment meets the requirements of the above
specified European standard(s) and "Warenwetbesluit Attractie-
en Speeltoestellen" taking into account any additional remarks
mentioned above.

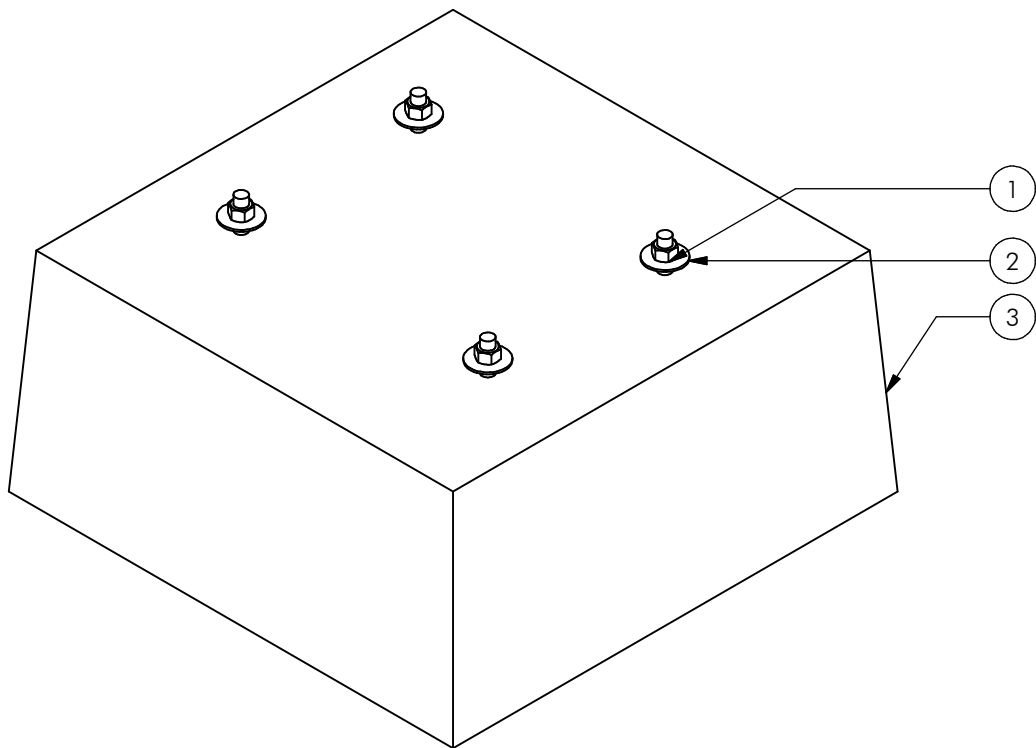


Issued in Amsterdam
Date of issue : 7 April 2009

Ir. V.M.A. Barendregt
LIFTINSTITUUT B.V.
Senior Officer Certification
& Technology



Drs. B. Mulder
LIFTINSTITUUT B.V.
Director Certification &
Inspection International



Nr	#	Type	Progr.	Volgnr	Bew.	Rev.	Benaming	Opmerking
1	4	BSV	017	016	015		Zeskantmoer	M16 - VZ 8.8
2	4	BSV	035	016	050		Carrosseriering	M16 x 50 - VZ 8.8
3	1	OBT	POE	007	245		Poermodel 7	245 kg



Benaming
Title Poermodel 7

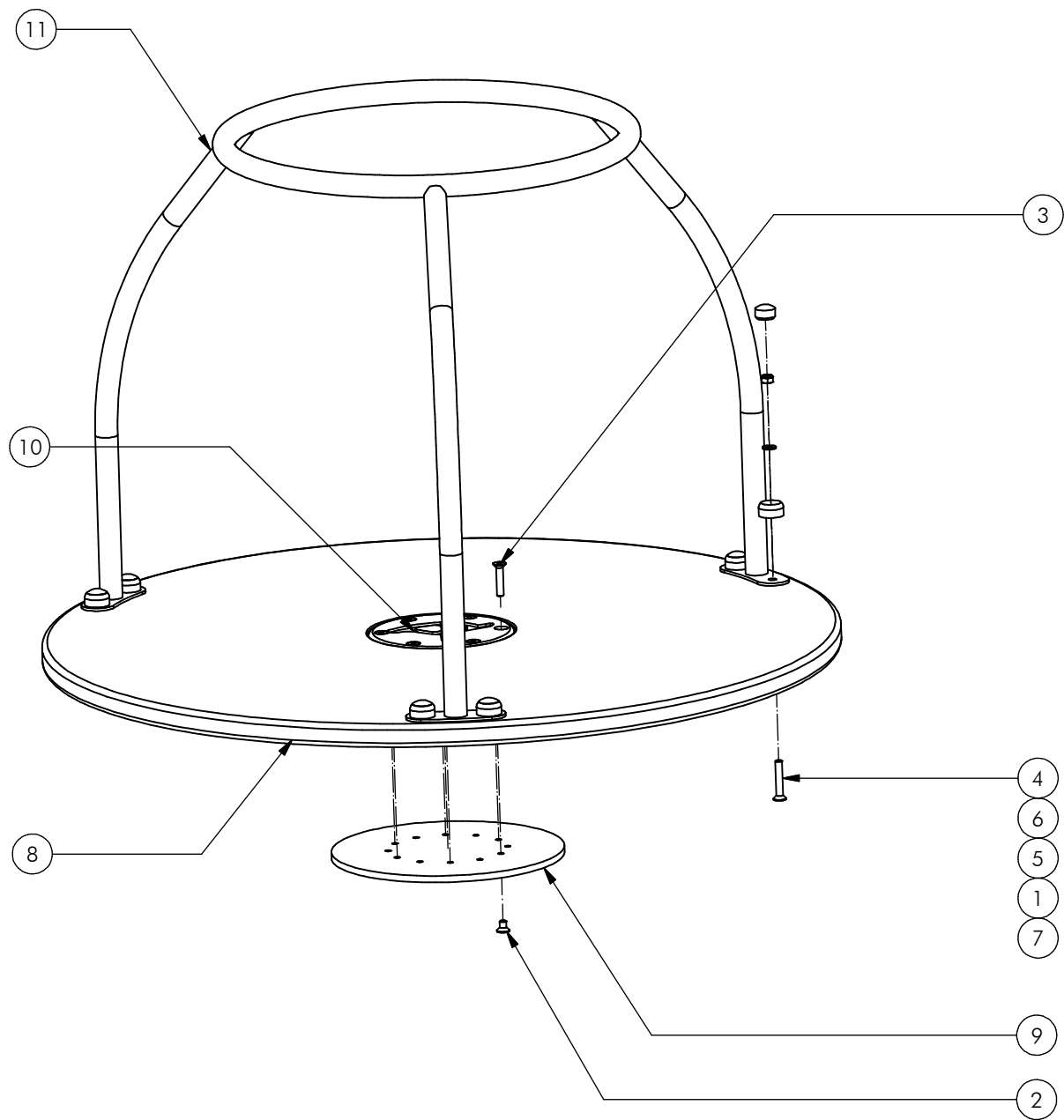
Opmerking
Comment 245 kilo

Datum
Date 13-2-2014

Tekening
Drawing

MOD OBT 007 002

Samenstelling module Assembly module



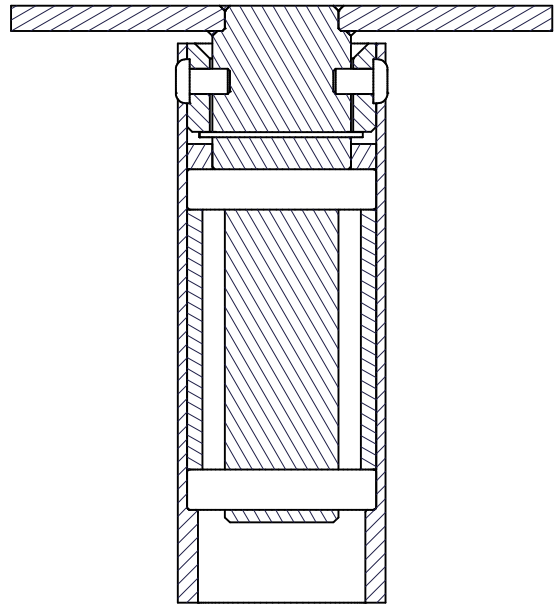
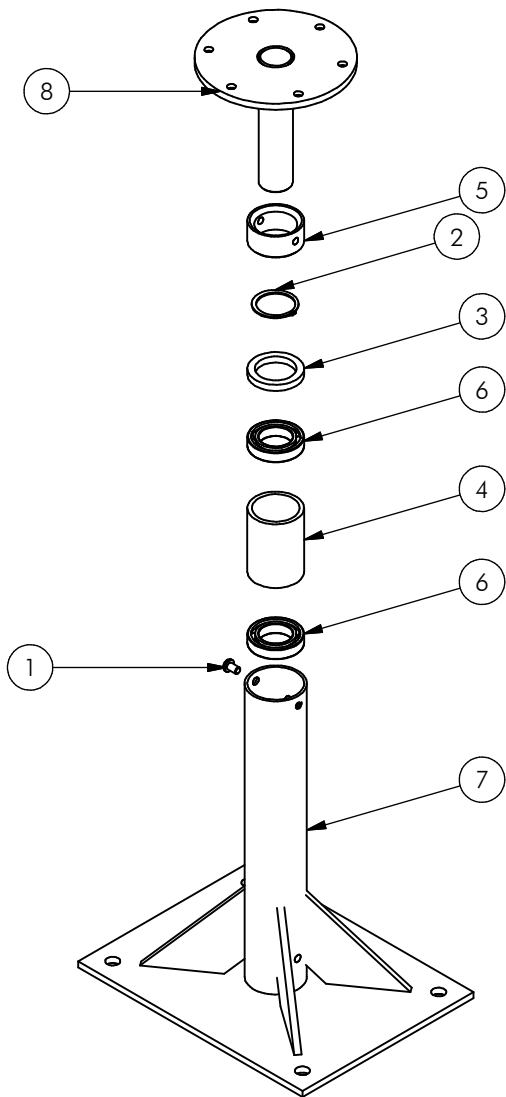
Nr.	#	Type	Progr.	Volgnr.	Bew.	Rev.	Benaming	Opmerking
1	6	BSR	010	010	010		Borgmoer	M10 - RVS A2-70
2	6	BSR	024	010	016		Verzonken bout	M10 x 16 - RVS A2-70
3	6	BSR	024	010	050		Verzonken bout	M10 x 50 - RVS A2-70
4	6	BSR	024	010	060		Verzonken bout	M10 x 60 - RVS A2-70
5	6	BSR	030	010	002		SLUITRING	M10
6	6	KST	DON	010	030		Bescherm dop M10-M12	Donut Rood
7	6	KST	DOP	010	030		Bescherm dop M10-M12	Dop rood
8	1	OHO	ROT	005	RBM	D	Platform	Meestapduizel
9	1	OME	CPL	009	372	A	Koppel plaat	
10	1	OPE	ROT	025	051		Afwerk plaat	Draaischijf
11	1	SME	ROT	026	320		Gripbeugel	Meestapduizel



Benaming Title Draaideel
 Opmerking Comment Meestapduizel
 Datum Date 8-8-2016

Tekening Drawing

MOD ROT 010 004 C
 Samenstelling module Assembly module



Nr	#	Type	Progr.	Volgnr	Bew.	Rev.	Benaming	Opmerking
1	2	BSR	023	010	016		Bolkopbout ISO 7380	M10 x 16 - RVS A2-70
2	1	BSV	041	055	002		Circlip DIN 471	55 x 2,00 - VZ 8.8
3	1	KST	OKR	075	055		Oliekeerring	Ø75 x Ø55 x 10
4	1	KST	ROT	009			Afstandbus	Duizelanker
5	1	KST	ROT	010	PA6		Stop	Duizel
6	2	LAG	KOG	045	075		Kogellager 6009	6009 2RSR - 75x45
7	1	SME	ROT	046	905	B	Anker	Duizel
8	1	SME	ROT	047	304	C	As	Duizel



Benaming Title Anker
 Opmerking Comment Duizel
 Datum Date 28-11-2016

Tekening Drawing

MOD ROT 070 003 C
 Samenstelling module Assembly module