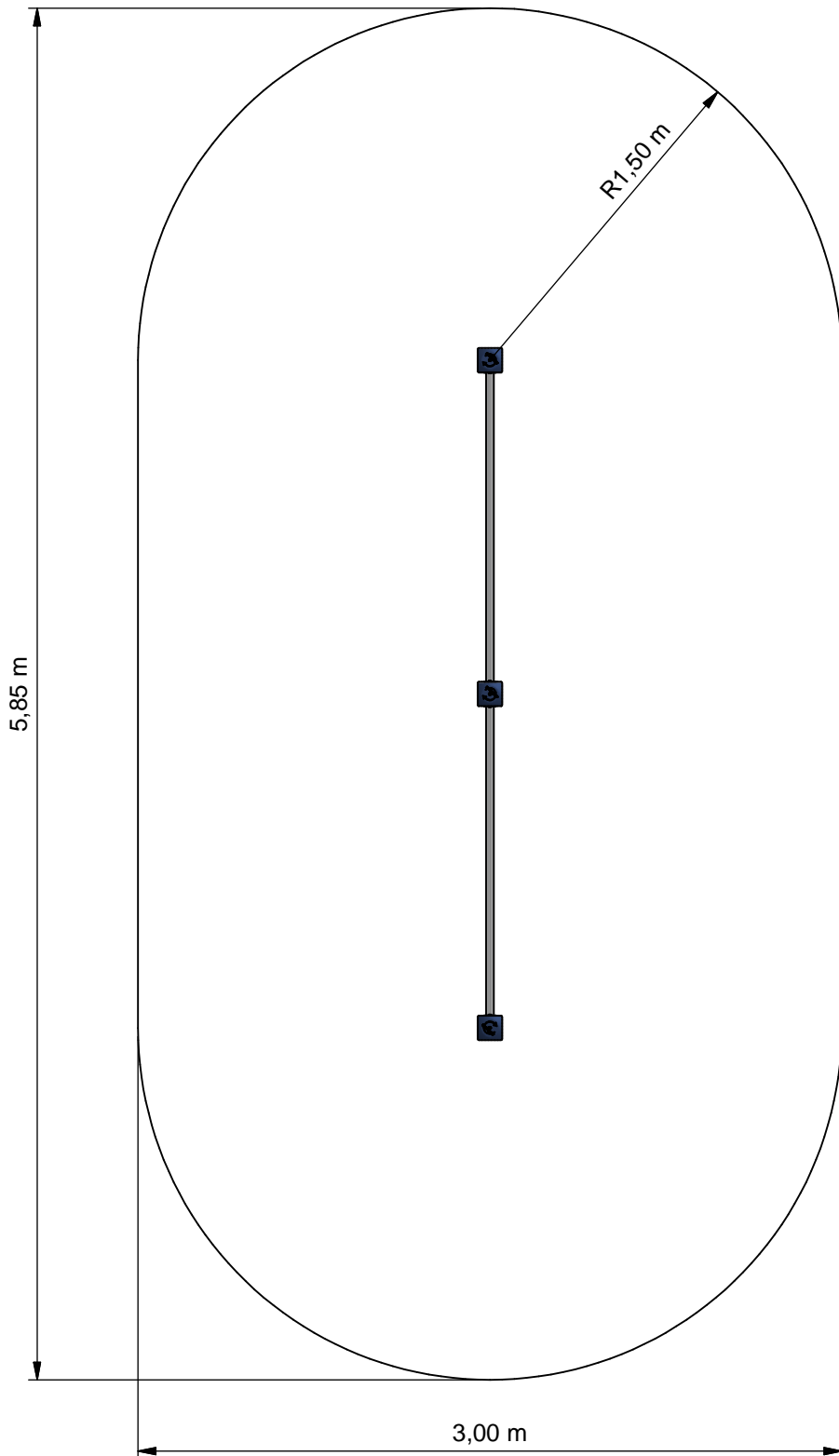




Push-up pipe



SOLE030.274



- Opvangzone**
Impact area
- Obstakelvrije zone**
Obstacle free zone



Benaming
Title Opdrukbus

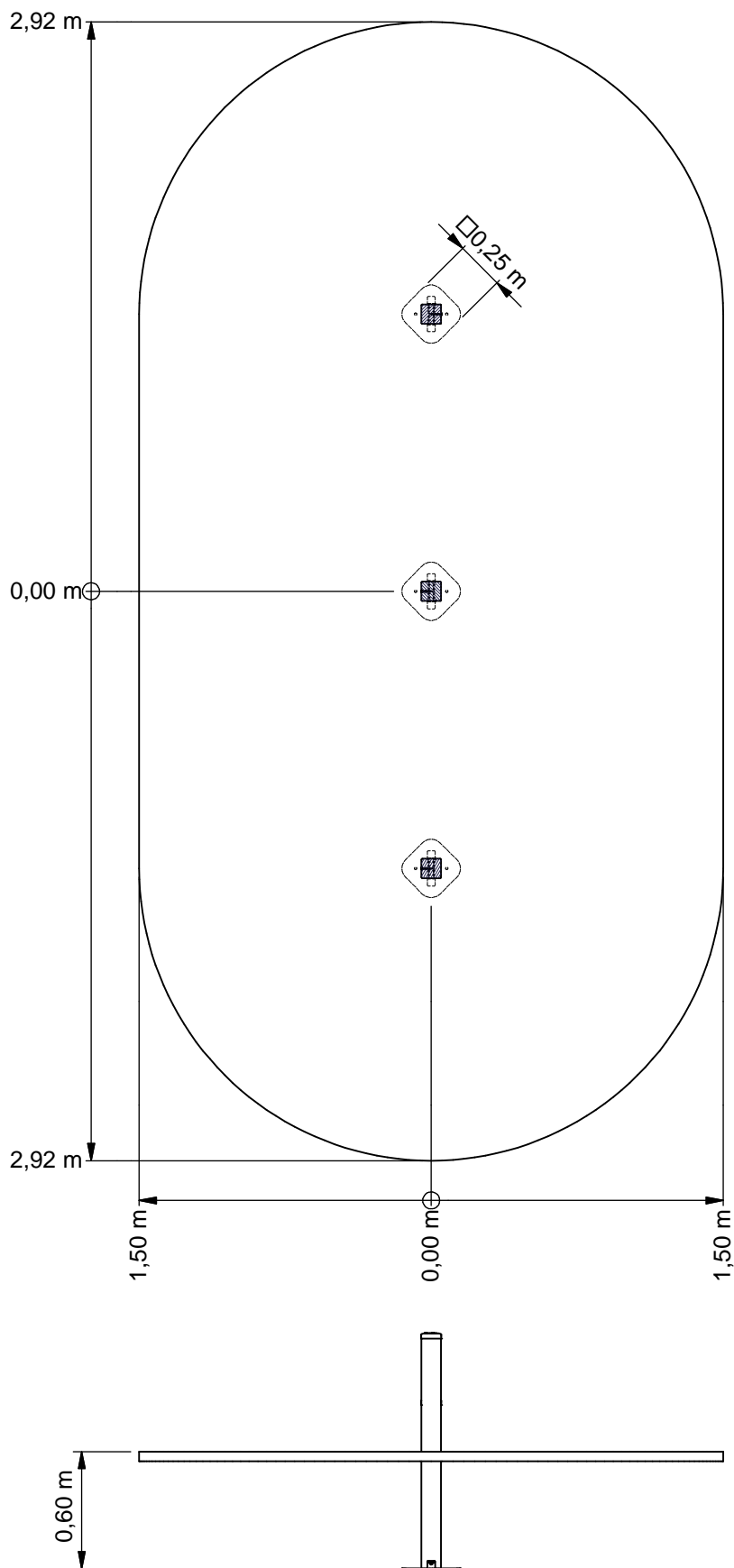
Opmerking
Comment Hardhout

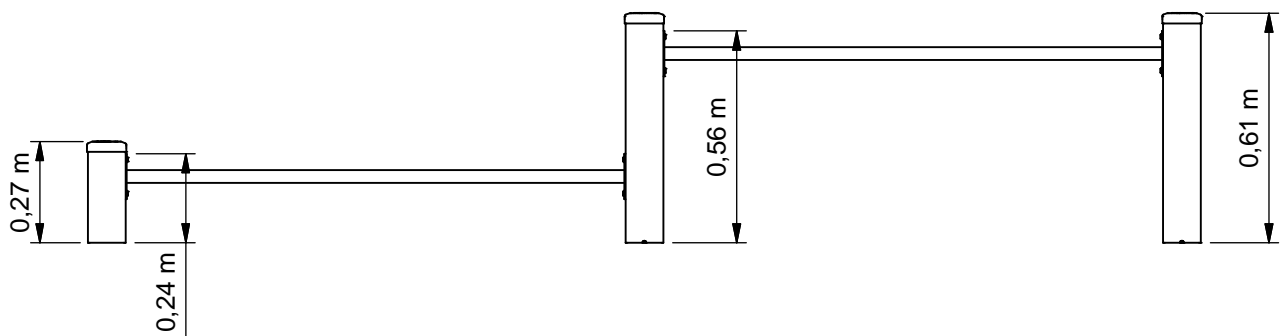
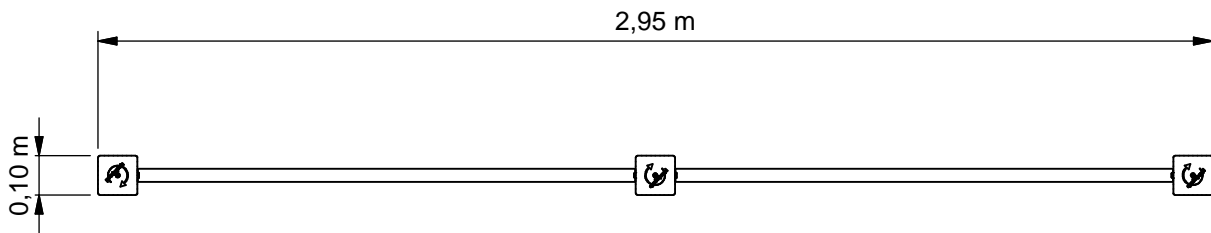
Datum
Date 30-5-2011

Tekening
Drawing

TOE SOL 030 274

Obstakelvrije zone *Obstacle free zone*





Benaming
Title Opdrukbus

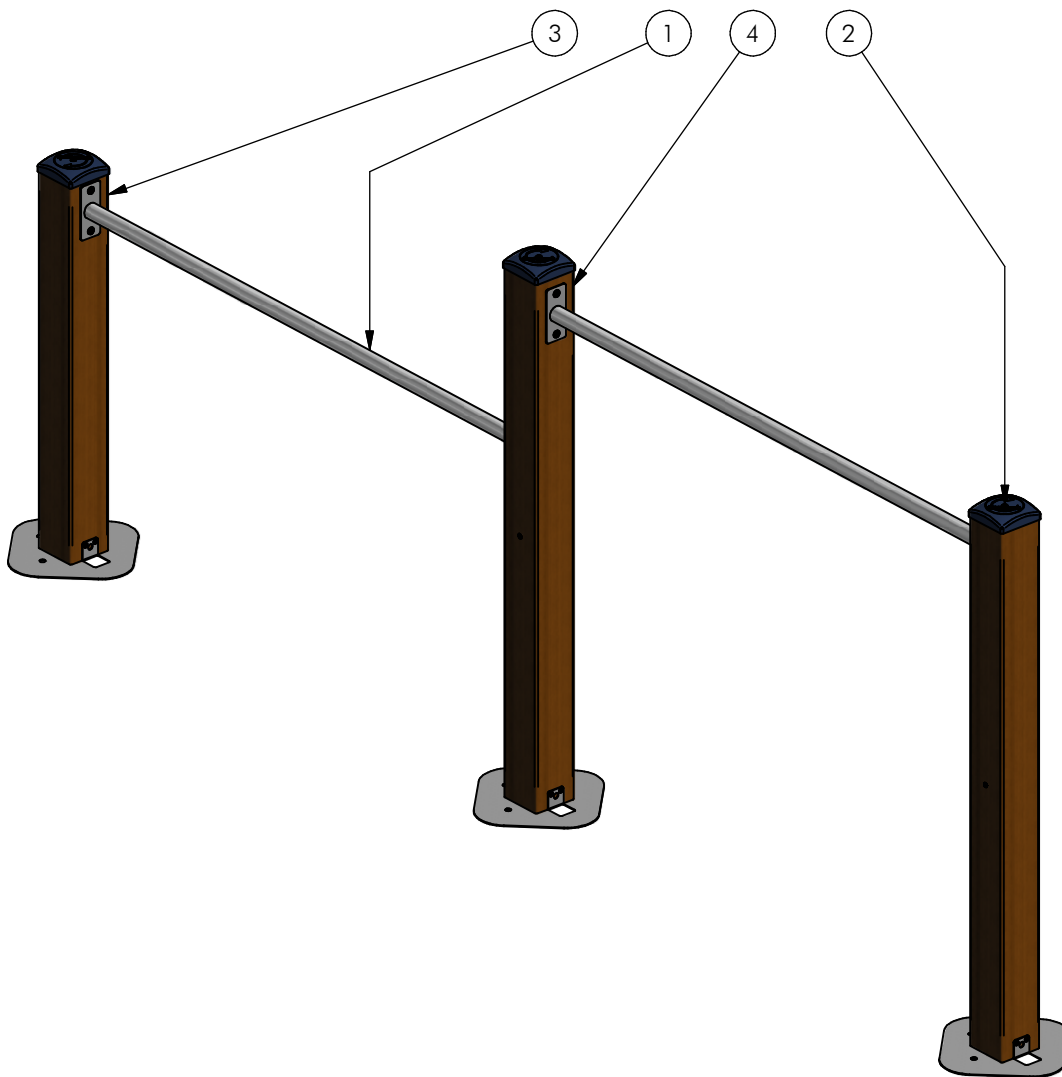
Opmerking
Comment Hardhout

Datum
Date 30-5-2011

Tekening
Drawing

TOE SOL 030 274

Afmetingen Dimensions



Nr	#	Type	Progr.	Volgnr	Bew.	Rev.	Benaming	Opmerking
1	2	MOD	VRB	HHT	050		BUIS	DIAGONAAL
2	3	MOD	VRB	HHT	069		Paalkap	100x100
3	1	MOD	VRB	HHT	121		Staander V0	25 CM
4	2	MOD	VRB	HHT	201		Staander V2	59 CM



Benaming
Title Opdrukbus

Opmerking
Comment Hardhout

Datum
Date 30-5-2011

Tekening
Drawing

TOE SOL 030 274

Modules Modules

SOLE030.274

Push-up pipe

LOGBOOK

(Onderstaand logboek kan gebruikt worden om te voldoen aan de eisen, gesteld in artikel 14 van het Warenwetbesluit Attractie- en Speeltoestellen)

Type indication	Sports equipment
Product code	SOLE030.274
Name of equipment	Opdrukbus
Maximum height of fall	0,3 m
Year of construction	2017
Certificate	0183402366
inspection authority	NVT -
Name manufacturer	BOERplay Hyacintstraat 2 - 4255 HX Nieuwendijk Phone: +31 (0)183 40 23 66 Fax: +31 (0)183 40 35 64
name installer	_____ _____
Description of equipment	Push-up pipe
Location of equipment	_____
Data about the owner of the play equipment	
Name:	_____
Address:	_____
Postcode and town:	_____
Contact person:	_____
Telephone number:	_____
Data about the administrator of the play equipment	
Name:	_____
Address:	_____
Postcode and town:	_____
Contact person:	_____
Telephone number:	_____

LOGBOOK

Inspection and maintenance intervals



Nr.	Inspection	Maintenance	months between inspections
1	Verify equipment's stability, junctions and missing parts. Inspect bolts, screws and nuts for absence, jams, corrosion and wear.	Add missing parts, secure joints, apply missing fixing agent and replace corroded parts.	1
2	Check suspension for wear.	Replace worn parts and/or remove non-functioning parts.	1
3	Inspect rotating parts such as hinges, rolling-element bearings, etc. for wear and acceptability.	Replace worn parts and/or remove non-functioning parts.	1
4	Check wood for splinters, unacceptable damage and signs of rot. Especially at ground level.	Repair damage. Replace affected wood. Smoothen splintered wood and sharp edges.	1
5	Inspect foundation for stability, tearing and coverage.	Restore foundation and covering material.	3
6	Examine rubber and synthetic parts for wear, damage and break.	Replace original parts.	3
7	Inspect metal for corrosion and damage in the coating.	Restore any damaged coating (after removing rust and applying primer).	6
8	Check ropes, cables, chains and nets for wear and damage. Steel cables and nets which are tensioned must be checked for tension.	Replace parts where necessary. Steel cables and nets must be tensioned.	3
9	Inspect equipment for unsafe changes and additions.	Remove unsafe additions and correct unsafe changes.	1
10	Inspect safety surfaces.	Restore and repair where necessary.	1

Remarks

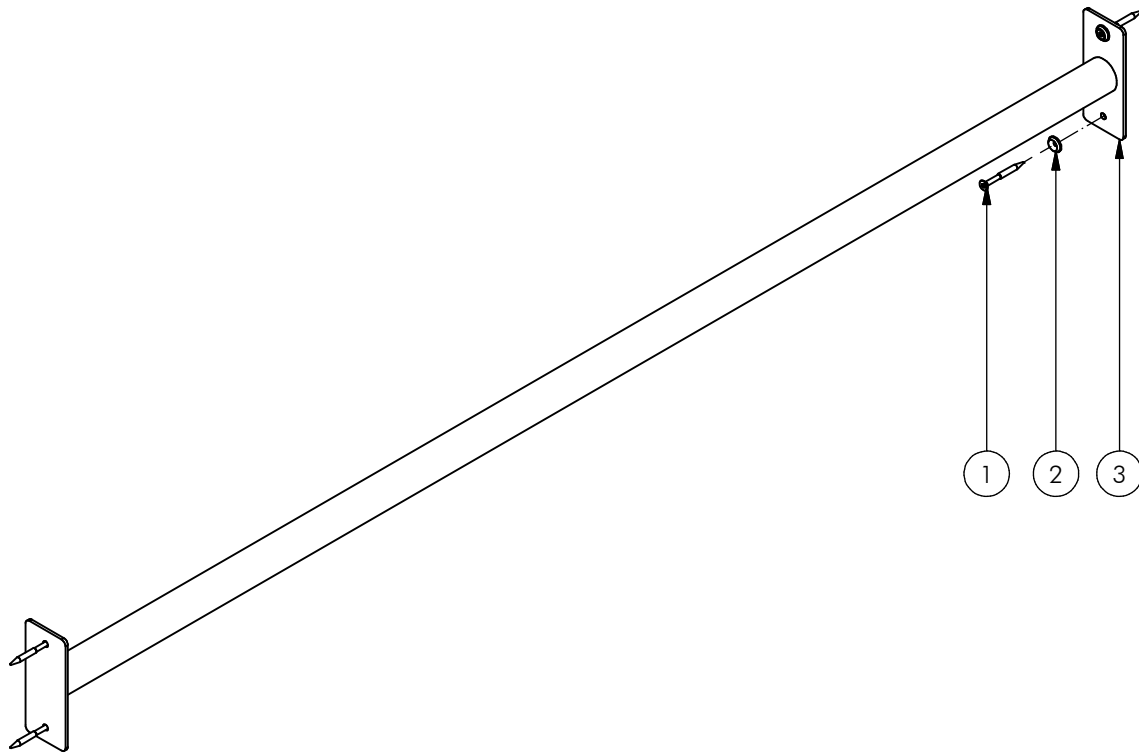
1. If used intensively, all points require extra attention.
2. Extreme weather conditions and locations may require a higher inspection frequency. Discuss this with the supplier.
3. Vandalism-sensitive locations require stricter inspections, possibly daily.
4. Check the terrain regularly for items that do not belong there, are unsafe or may be used wrongly. Examples are poisonous plants, glass shards, etc. Frequency depends on strain.
5. Remember that bad maintenance leads to unsafe conditions and notably faster impoverishment of the playground area.
6. Replacement parts can be ordered at the manufacturer with the part numbers on the module drawing. Drawings can be found in de user guide.
7. The impact area shall be provided with impact attenuating surface according to the specified falling height.
8. This list is conform the CEN-standard "playground equipment and surfacing NEN-EN 1176-7".



Dit toestel is geen speeltoestel conform het warenwetbesluit attractie- en speeltoestellen, en is dus niet als zodanig gecertificeerd.

This equipment is not playground equipment, so it has not been certified as such.





Nr	#	Type	Progr.	Volgnr	Bew.	Rev.	Benaming	Opmerking
1	4	BSR	002	005	050		Schroef Assy	5 x 50 - RVS A2-70
2	4	BSR	036	005	015		Facet ring	M5 - RVS A2-70
3	1	SME	VRB	022	320	D	SYSTEEMBUIS	DIAGONAAL



Benaming
Title: BUIS

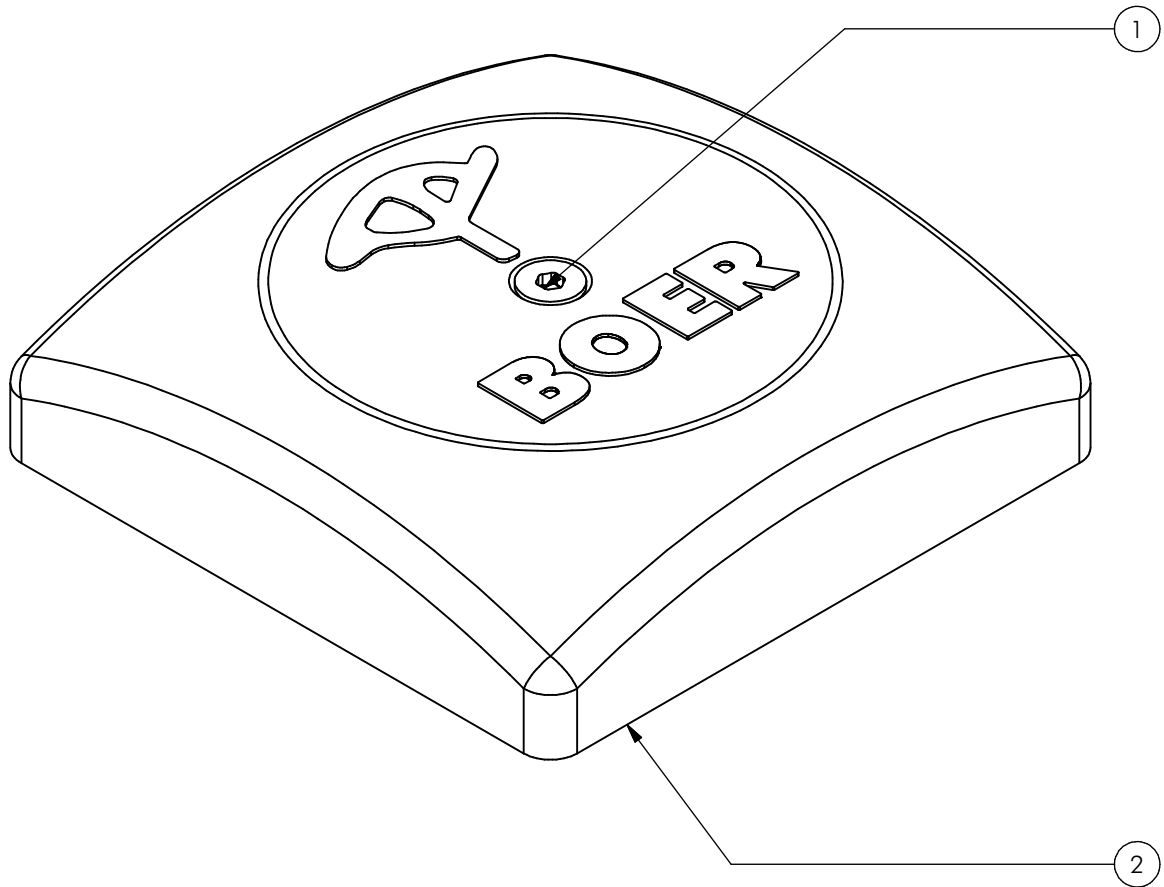
Opmerking
Comment: DIAGONAAL

Datum
Date: 25-9-2006

Tekening
Drawing

MOD VRB HHT 050

Samenstelling module *Assembly module*



Nr	#	Type	Progr.	Volgnr	Bew.	Rev.	Benaming	Opmerking
1	1	BSR	002	005	050		SCHROEF	5 x 50
2	1	OME	KAP	100		B	Paalkap 100x100	Aluminium



Benaming
Title Paalkap

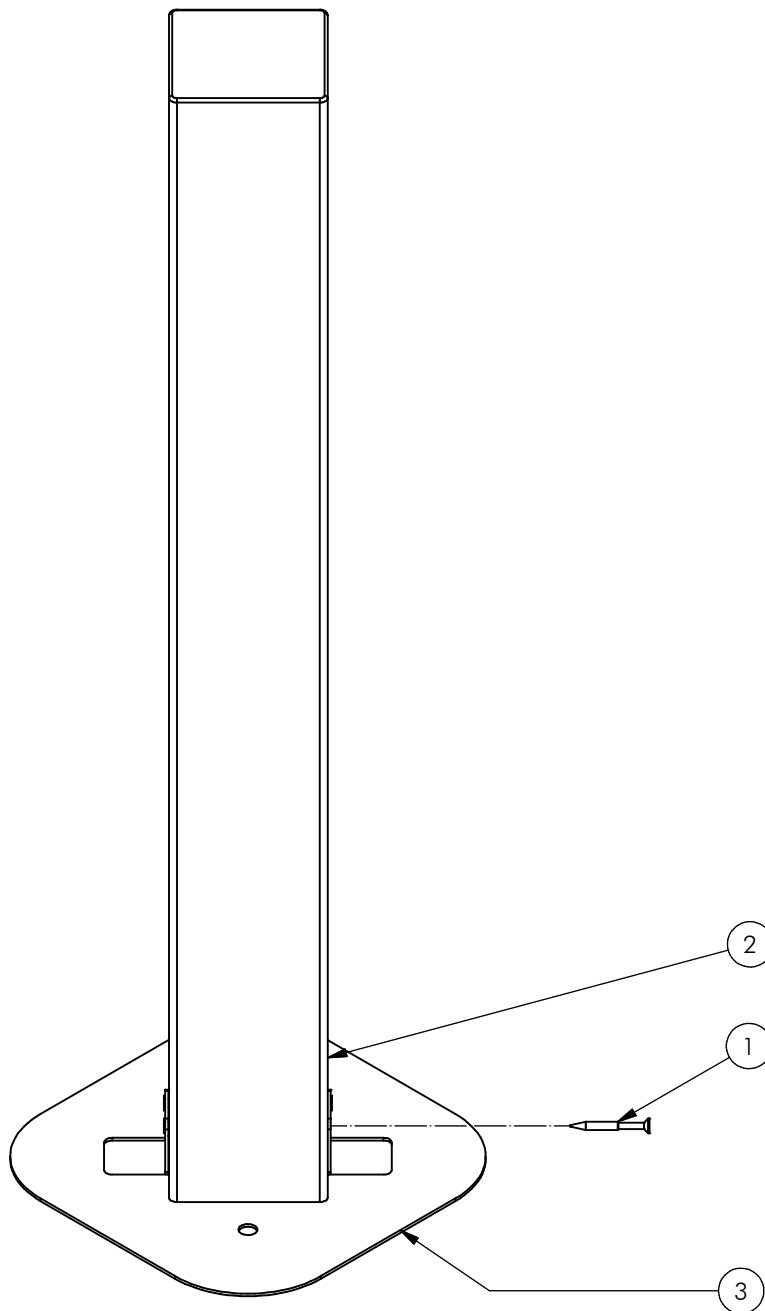
Opmerking
Comment 100x100

Datum
Date 16-4-2014

Tekening
Drawing

MOD VRB HHT 069

Samenstelling module *Assembly module*



Nr	#	Type	Progr.	Volgnr	Bew.	Rev.	Benaming	Opmerking
1	5	BSR	002	005	050		Schroef Assy	5 x 50 - RVS A2-70
2	1	OHO	HHT	100	020		Staander HHT	100x100, lengte=850
3	1	OME	VRB	903	VZP	C	Voetplaat	100 x 100



Benaming
Title: Staander V0

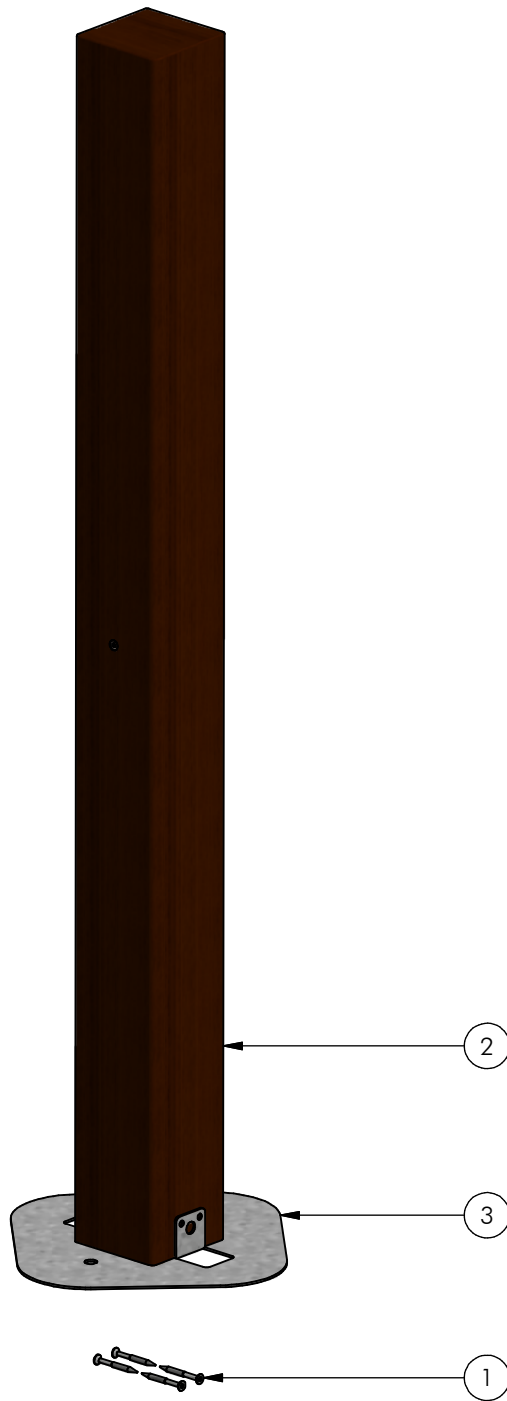
Opmerking
Comment: 25 CM

Datum
Date: 7-4-2009

Tekening
Drawing

MOD VRB HHT 121

Samenstelling module *Assembly module*



Nr.	#	Type	Progr.	Volgnr.	Bew.	Rev.	Benaming	Opmerking
1	5	BSR	002	005	050		Schroef Assy	5 x 50 - RVS A2-70
2	1	OHO	HHT	100	021		Staander HHT	100x100, L=1190
3	1	OME	VRB	903	VZP	C	Voetplaat	100 x 100



Benaming
Title | Staander V2

Opmerking
Comment | 59 CM

Datum
Date | 15-8-2017

Tekening
Drawing

MOD VRB HHT 201

Modules Modules