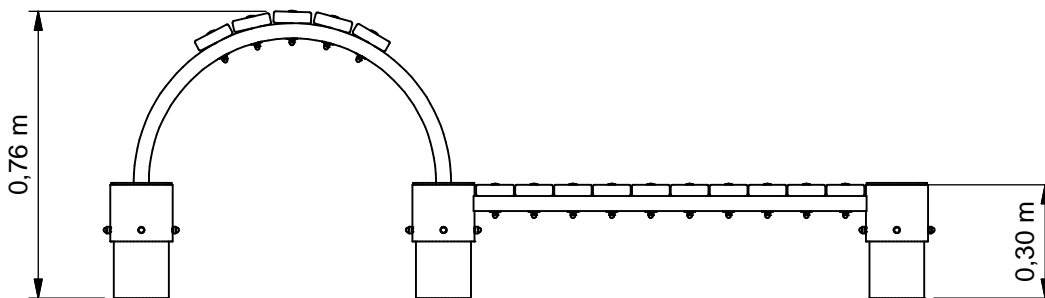
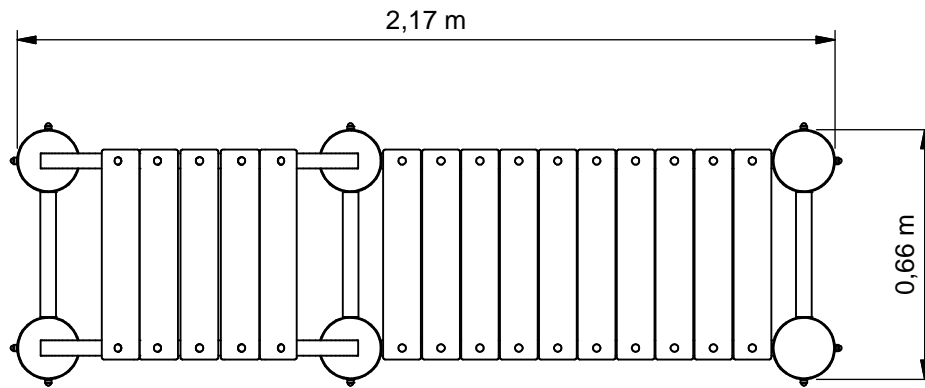




# Practice bench



SPTTE100.260

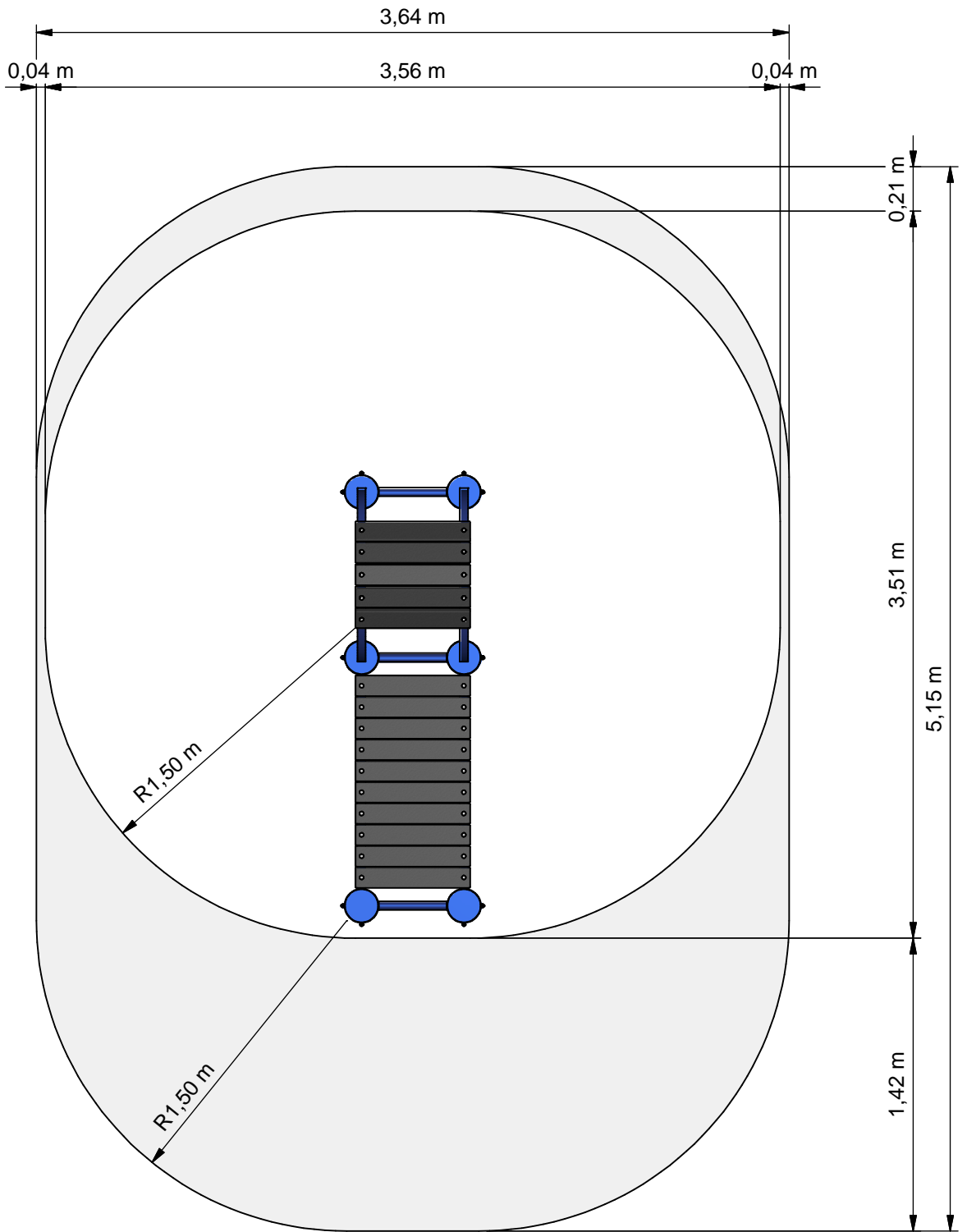


Benaming  
Title Oefenrek  
Opmerking  
Comment Trimbaan  
Datum  
Date 4-11-2015

Tekening  
Drawing

TOE SPT 100 260

Hoofdafmetingen Main dimensions



- Opvangzone  
Impact area
- Obstakelvrije zone  
Obstacle free zone

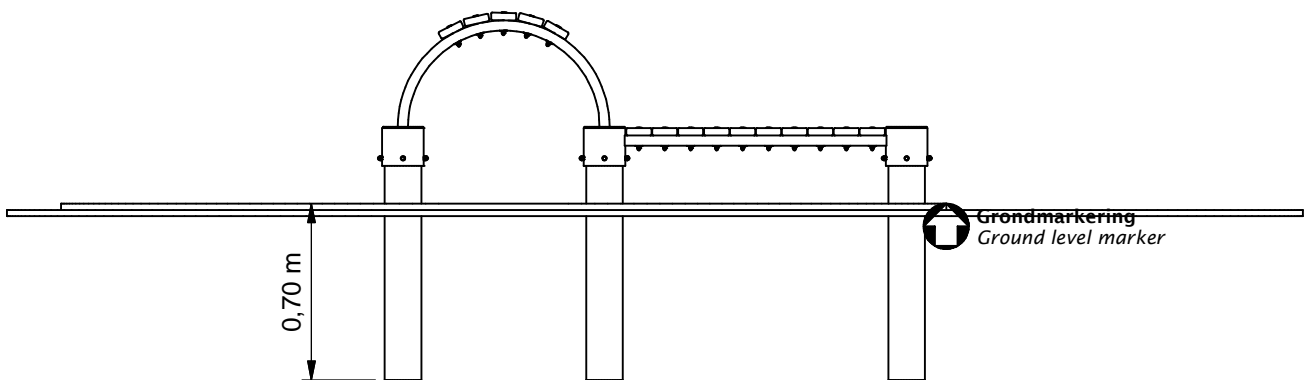
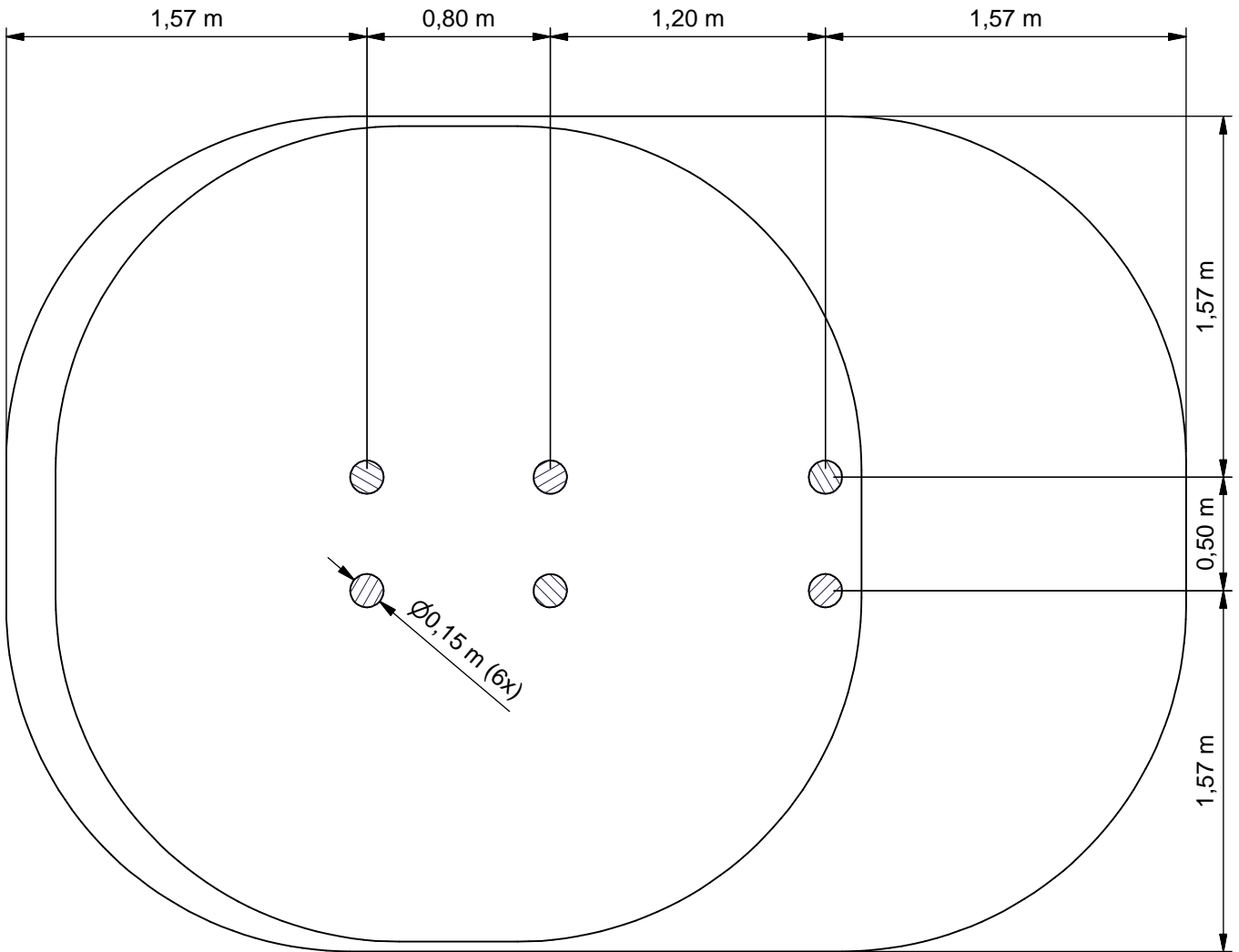


Benaming / Title: Oefenrek  
 Opmerking / Comment: Trimbaan  
 Datum / Date: 4-11-2015

Tekening / Drawing

# TOE SPT 100 260

Obstakelvrije zone *Obstacle free zone*



Benaming  
Title Oefenrek  
Opmerking  
Comment Trimbaan  
Datum  
Date 4-11-2015

Tekening  
Drawing

TOE SPT 100 260

Bodemplan Groundplan

**Geleverde modules:**

Zie tabel

**Supplied modules:**

See table

**Montageinstructie:**

- De hoofdmaten geven de maten van de standers en vloeren aan
- De detailtekeningen geven specifiek de maten van de verbindingen aan
- De modules met buizen zijn op de tekeningen bemaat op bovenkant kopplaat
- Overige modules zijn bemaat op de bovenkant (klimwanden, paalkappen, etc.)

**Assembly instruction:**

- The main dimensions indicate the dimensions of the posts and floors
- The detailed dimensions show the specific dimensions of the connections
- The modules which contain tubes are dimensioned at the top of the flanges
- Other modules are dimensioned at the top (climbing walls, caps for the posts, etc.)

**Montagevolgorde:**

- 1 - Graaf de gaten volgens het bodemplan
- 2 - Plaats 1+2
- 3 - Controleer of het toestel voldoet aan de afmetingen zoals op blad 'afmetingen'
- 4 - Dicht de gaten en verdicht het zand

**Assembly sequence:**

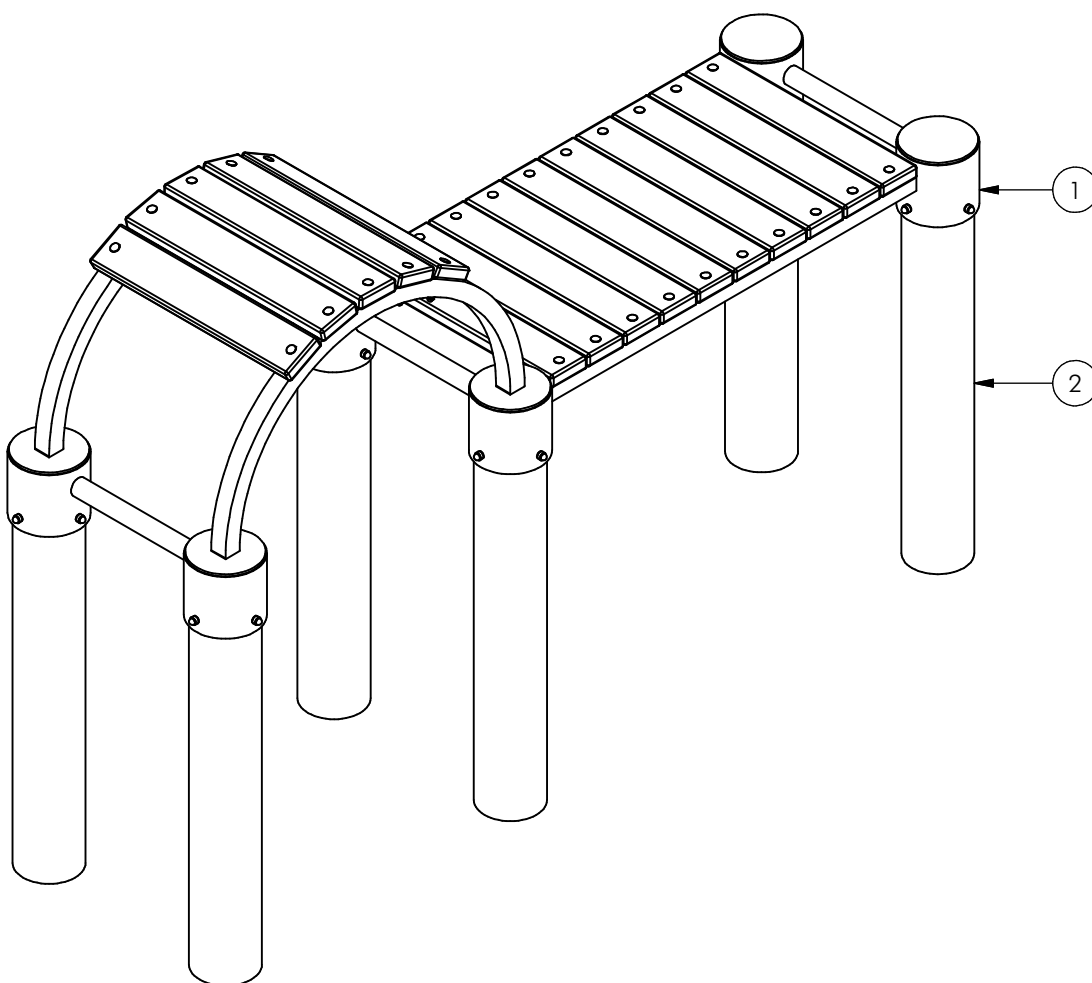
- 1 - Dig the holes according to the ground plan
- 2 - Place 1+2
- 3 - Check that the equipment conforms to the dimensions shown on sheet 'dimensions'
- 4 - Close the holes and compact the sand

**Controles:**

- 1 - Correcte opbouw en alle bevestigingsmiddelen
- 2 - Controleer de afmetingen van de valbodem t.o.v. het toestel

**Checks:**

- 1 - Correct assembly and all the fasteners
- 2 - Check the dimensions of the safety area with regard to the play equipment



Nr	#	Type	Progr.	Volgnr	Bew.	Rev.	Benaming	Opmerking
1	1	MOD	SPT	001	009		Frame	Oefenrek
2	1	MOD	SPT	100	260		Rebo Pakket	SPT.100.260



Benaming  
Title Oefenrek

Opmerking  
Comment Trimbaan

Datum  
Date 4-11-2015

Tekening  
Drawing

# TOE SPT 100 260

Modules Modules

# SPTE100.260

Practice bench

## LOGBOOK

(Onderstaand logboek kan gebruikt worden om te voldoen aan de eisen, gesteld in artikel 14 van het Warenwetbesluit Attractie- en Speeltoestellen)

Type indication	Sports equipment
Product code	SPTE100.260
Name of equipment	Oefenrek
Maximum height of fall	0,8 m
Year of construction	2017
Certificate	0183402366
inspection authority	BOER SPEELTOESTELLEN HYACINTSTRAAT 2 - 4255HX NIEUWENDIJK
Name manufacturer	BOERplay Hyacintstraat 2 - 4255 HX Nieuwendijk Phone: +31 (0)183 40 23 66 Fax: +31 (0)183 40 35 64
name installer	_____ _____
Description of equipment	Practice bench
Location of equipment	_____
Data about the owner of the play equipment	
Name:	_____
Address:	_____
Postcode and town:	_____
Contact person:	_____
Telephone number:	_____
Data about the administrator of the play equipment	
Name:	_____
Address:	_____
Postcode and town:	_____
Contact person:	_____
Telephone number:	_____

# LOGBOOK

## Inspection and maintenance intervals



Nr.	Inspection	Maintenance	months between inspections
1	Verify equipment's stability, junctions and missing parts. Inspect bolts, screws and nuts for absence, jams, corrosion and wear.	Add missing parts, secure joints, apply missing fixing agent and replace corroded parts.	1
2	Check suspension for wear.	Replace worn parts and/or remove non-functioning parts.	1
3	Inspect rotating parts such as hinges, rolling-element bearings, etc. for wear and acceptability.	Replace worn parts and/or remove non-functioning parts.	1
4	Check wood for splinters, unacceptable damage and signs of rot. Especially at ground level.	Repair damage. Replace affected wood. Smoothen splintered wood and sharp edges.	1
5	Inspect foundation for stability, tearing and coverage.	Restore foundation and covering material.	3
6	Examine rubber and synthetic parts for wear, damage and break.	Replace original parts.	3
7	Inspect metal for corrosion and damage in the coating.	Restore any damaged coating (after removing rust and applying primer).	6
8	Check ropes, cables, chains and nets for wear and damage. Steel cables and nets which are tensioned must be checked for tension.	Replace parts where necessary. Steel cables and nets must be tensioned.	3
9	Inspect equipment for unsafe changes and additions.	Remove unsafe additions and correct unsafe changes.	1
10	Inspect safety surfaces.	Restore and repair where necessary.	1

## Remarks

1. If used intensively, all points require extra attention.
2. Extreme weather conditions and locations may require a higher inspection frequency. Discuss this with the supplier.
3. Vandalism-sensitive locations require stricter inspections, possibly daily.
4. Check the terrain regularly for items that do not belong there, are unsafe or may be used wrongly. Examples are poisonous plants, glass shards, etc. Frequency depends on strain.
5. Remember that bad maintenance leads to unsafe conditions and notably faster impoverishment of the playground area.
6. Replacement parts can be ordered at the manufacturer with the part numbers on the module drawing. Drawings can be found in de user guide.
7. The impact area shall be provided with impact attenuating surface according to the specified falling height.
8. This list is conform the CEN-standard "playground equipment and surfacing NEN-EN 1176-7".

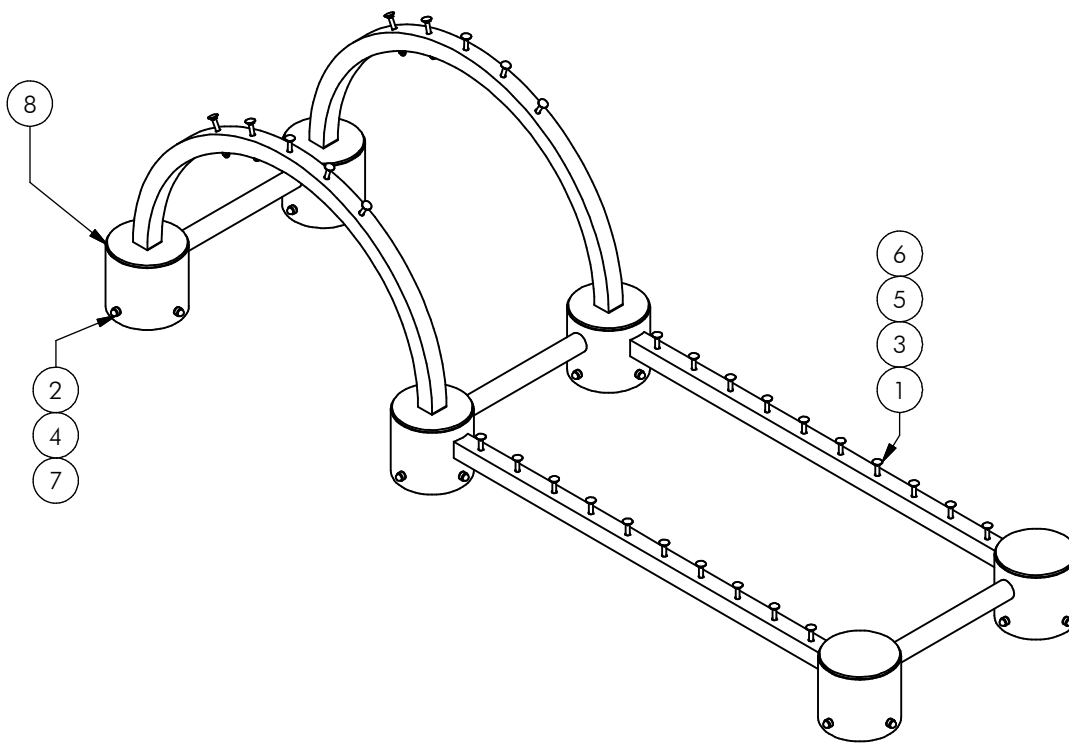


Dit toestel is geen speeltoestel conform het warenwetbesluit attractie- en speeltoestellen, en is dus niet als zodanig gecertificeerd.

*This equipment is not playground equipment, so it has not been certified as such.*







Nr	#	Type	Progr.	Volgnr	Bew.	Rev.	Benaming	Opmerking
1	30	BSV	012	008	015		Dopmoer	M8 - VZ 8.8
2	24	BSV	022	008	055		Houtdraadbout	M8 X 55 - VZ 8.8
3	30	BSV	026	008	080		Slotbout	M8 x 80 - VZ 8.8
4	24	BSV	030	008	016		Sluitring	M8 - VZ 8.8
5	30	BSV	034	008	002		Veerring	M8 - VZ 8.8
6	30	BSV	035	008	030		CARROSSERIERING	M8 x 30 - VZ 8.8
7	24	KST	ZKD	008	015		Afdekdop zeskantbout	M8 zwart
8	1	SME	SPT	095	502		Frame	Oefenrek



Benaming  
Title | Frame

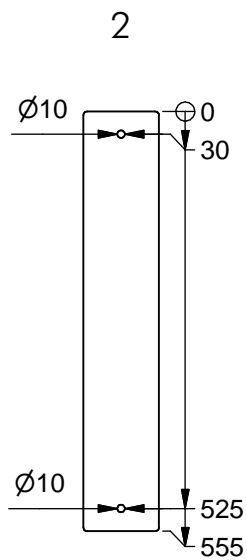
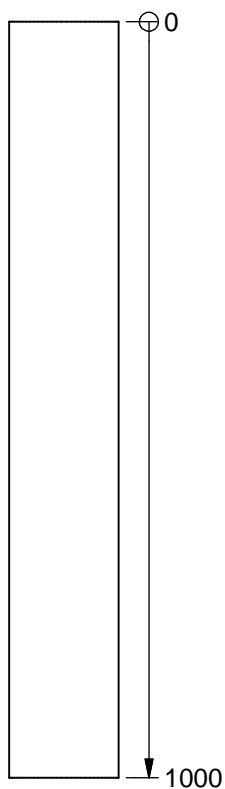
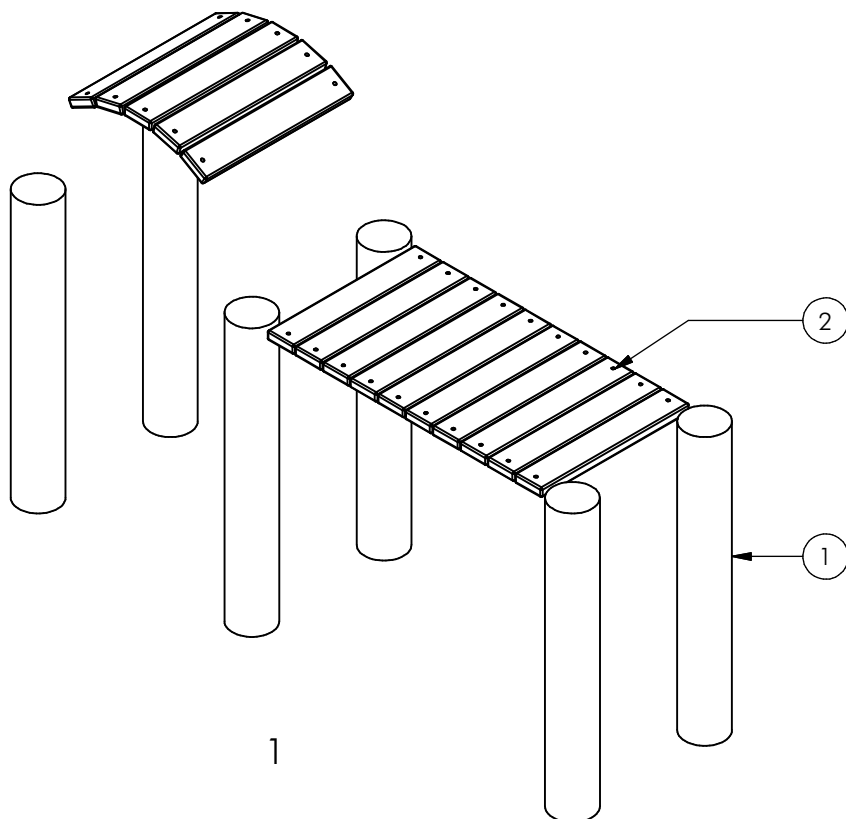
Opmerking  
Comment | Oefenrek

Datum  
Date | 4-11-2015

Tekening  
Drawing

MOD SPT 001 009

Samenstelling module Assembly module



Nr	#	Type	Progr.	Volgnr	Bew.	Rev.	Benaming	Opmerking
1	6	ORE	SPT	001	030		Rebo Ø145	L= 1000
2	15	ORE	SPT	030	001		Rebo 100x30	L= 555



Benaming  
Title Rebo Pakket

Opmerking  
Comment SPT.100.260

Datum  
Date 4-11-2015

Tekening  
Drawing

# MOD SPT 100 260

Samenstelling module *Assembly module*