



Adventure Play

PSTE000.132

Little Playhouse



PSTE000.132

Little Playhouse



1+



1 - 8



1.5 x 1.4 x 1.7 m



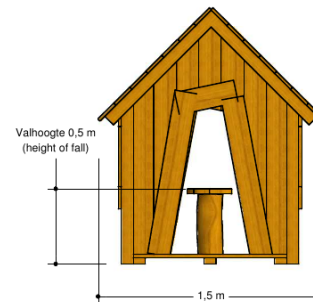
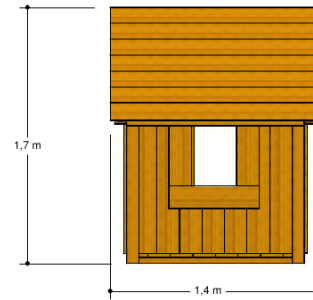
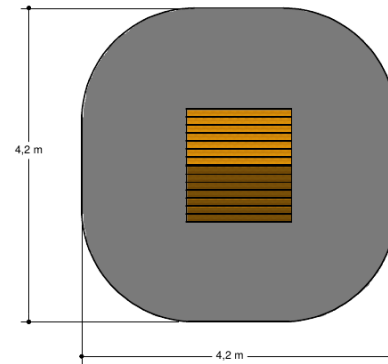
4.2 x 4.2 m



4.2 x 4.2 m



0.5 m



Playfunctions

Education, play house, role play, sitting

Material

Made of irregularly shaped Acacia Robinia FSC certified wood. This European hardwood had a sustainability of class I according to EN 350 and is free of sapwood. The timber units are finished with stainless steel components 340 / K320-ground quality. Matching slides are stainless steel 304 quality polished stainless steel and all fastenings are A2 quality. The rope constructions are made of vandal resistant 16 mm Hercules rope in the colour black.

Anchorage

Galvanized steel base plates

Comments

The impact area must have impact absorbing properties belonging to the specified free height of fall. The obstacle-free zone shall be completely free of obstacles.

Opvangzone Impact area

WAS, Dutch law

EN1176

Obstakelvrije zone Obstacle free zone

WAS, Dutch law

EN1176

