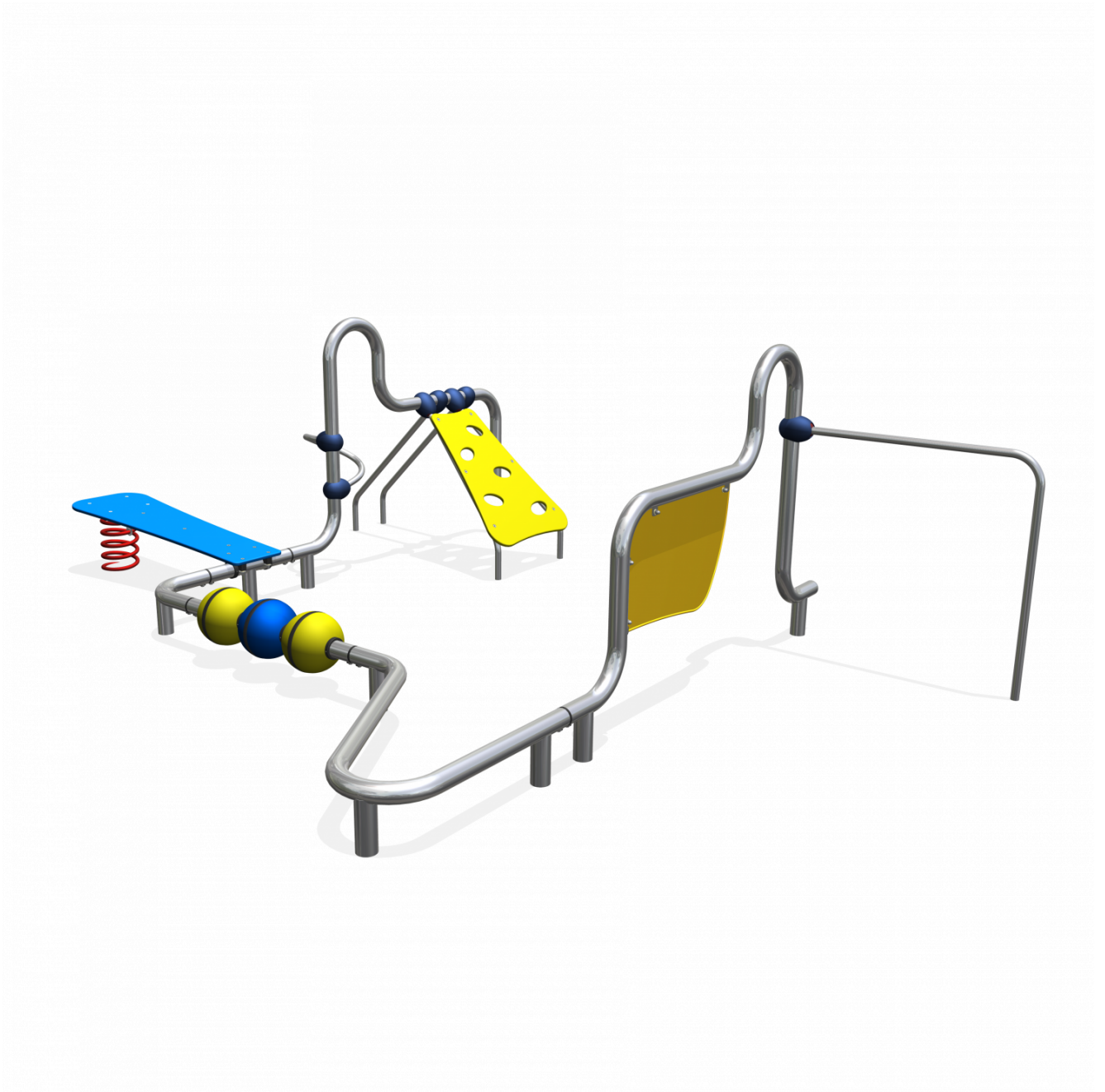
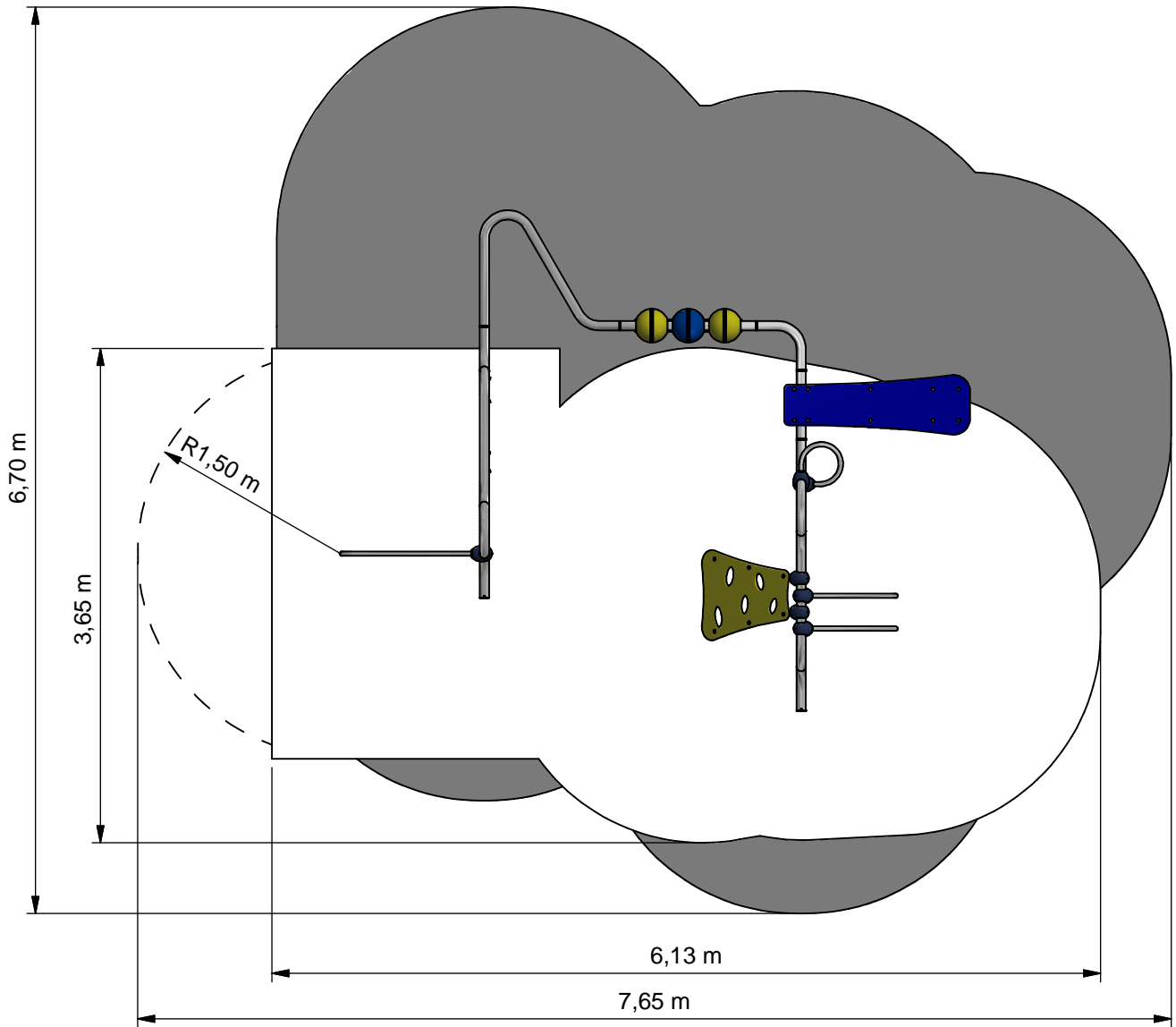




# Playchain 204



PNRE000.204



- Obstalenvrij EN-1176
- Obstacle free EN-1176
- Opvangzone
- Impact area
- Obstalenvrij WAS
- Obstacle free WAS



Benaming  
Title Playchain 204

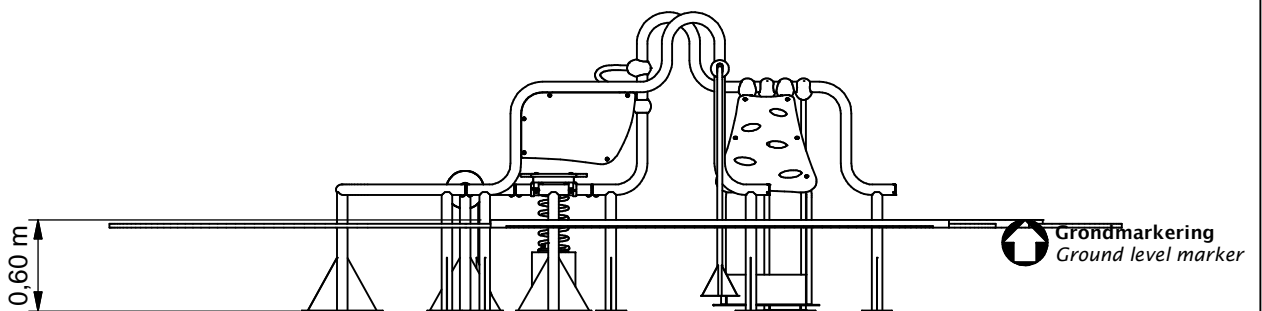
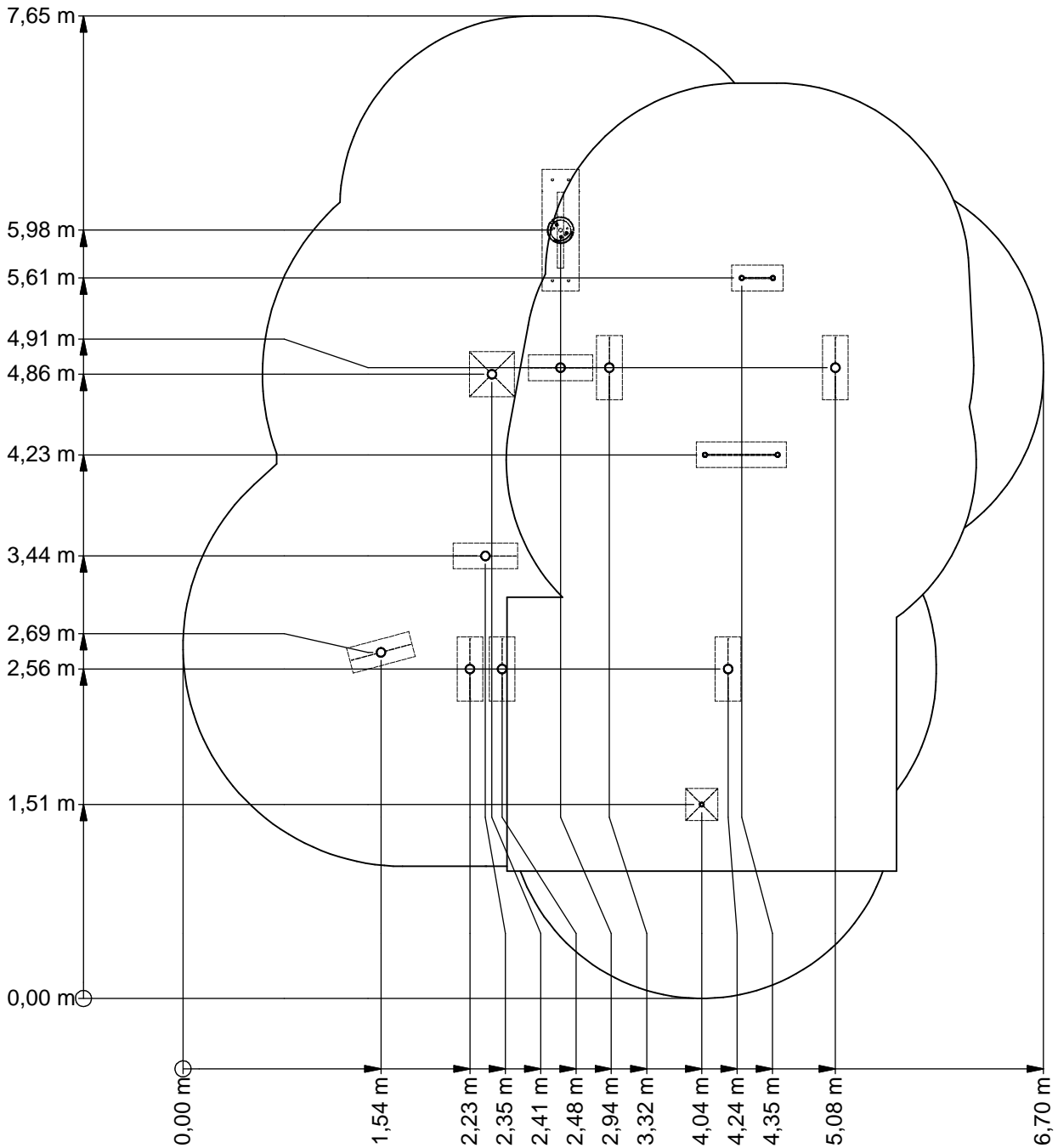
Opmerking  
Comment Pionier

Datum  
Date 23-1-2017

Tekening  
Drawing

TOE PNR 000 204

Obstalenvrije zone Obstacle free zone



Benaming  
Title Playchain 204

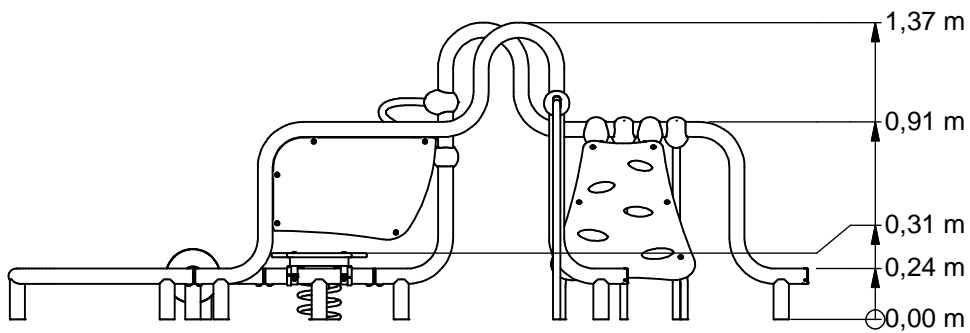
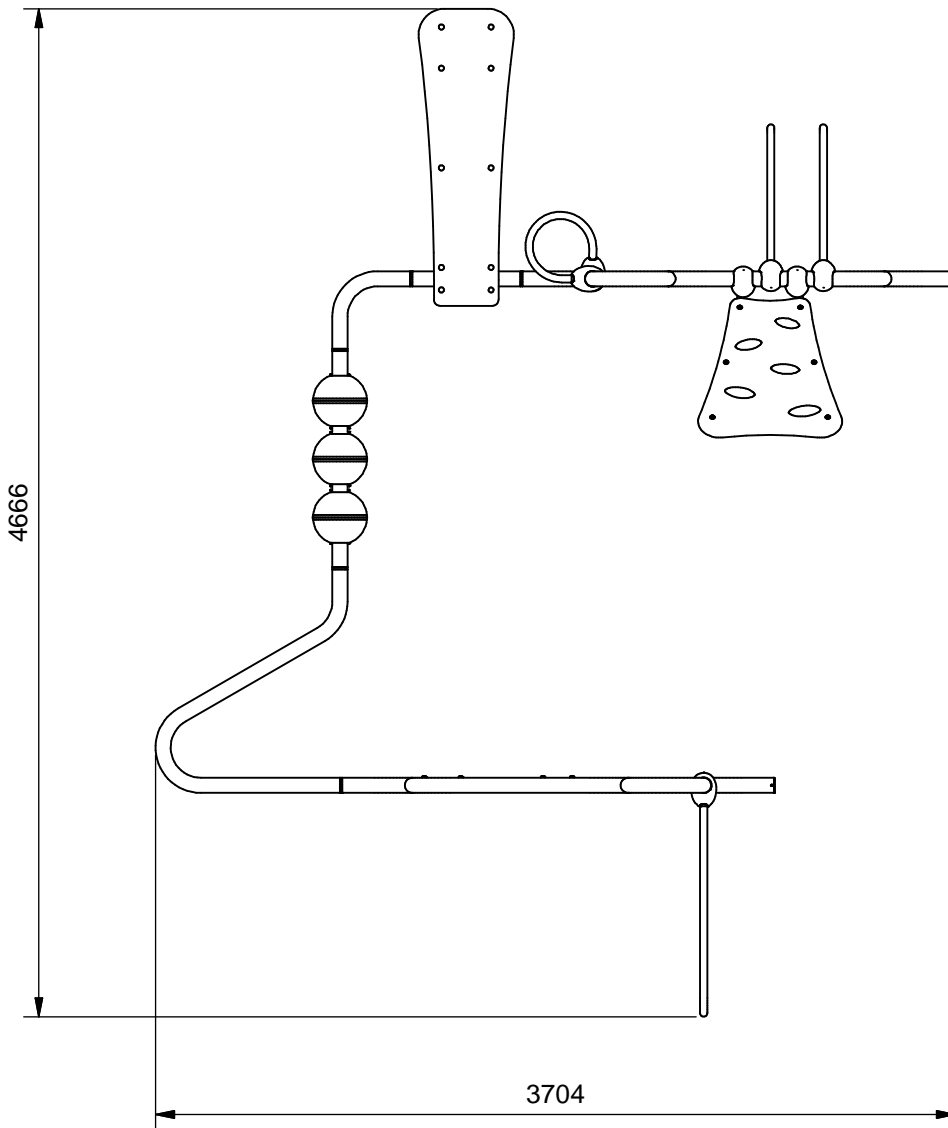
Opmerking  
Comment Pionier

Datum  
Date 23-1-2017

Tekening  
Drawing

TOE PNR 000 204

Bodemplan Groundplan



Benaming  
Title | Playchain 204

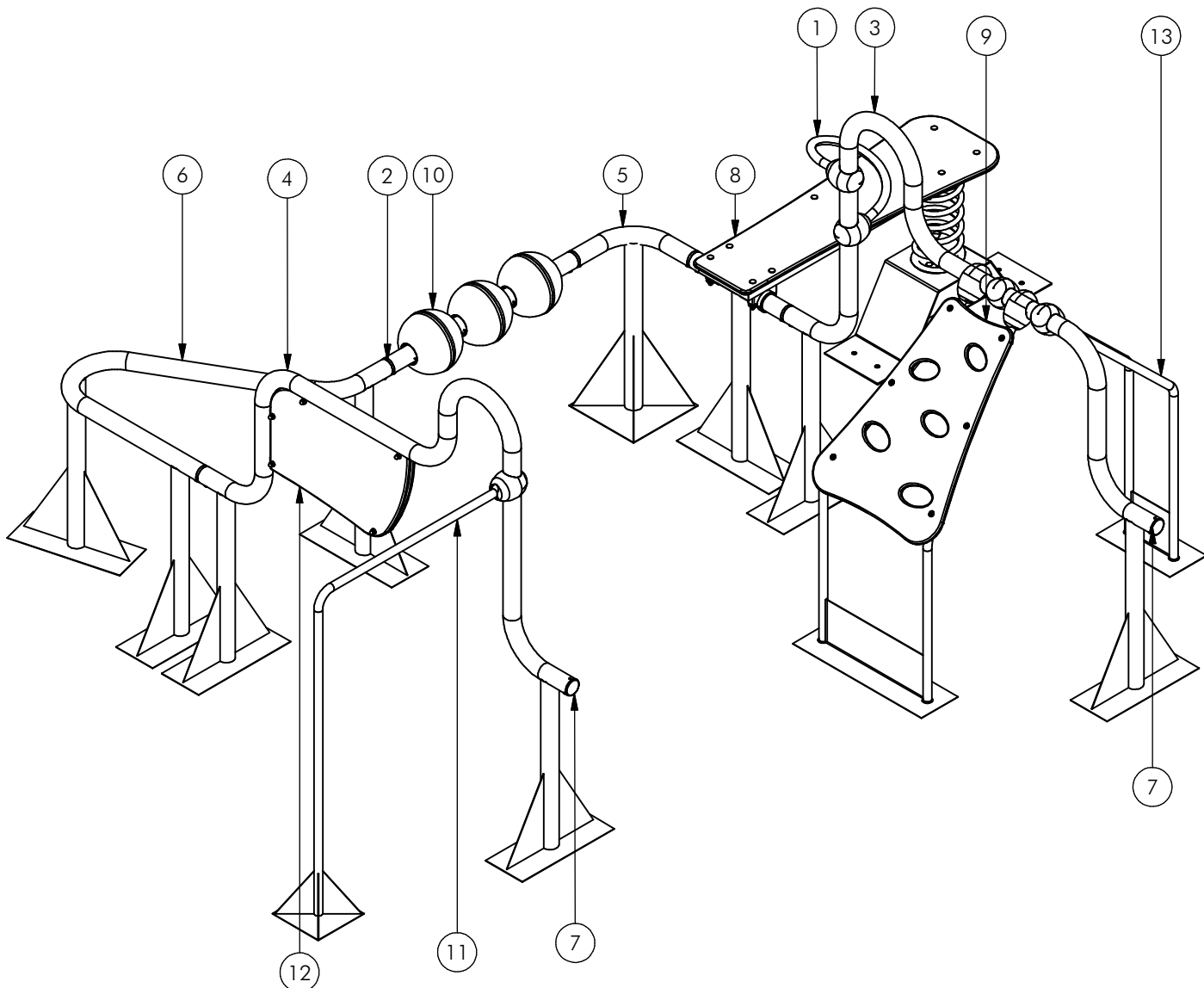
Opmerking  
Comment | Pionier

Datum  
Date | 23-1-2017

Tekening  
Drawing

**TOE PNR 000 204**

Afmetingen Dimensions



Nr	#	Type	Progr.	Volgnr	Bew.	Rev.	Benaming	Opmerking
1	1	MOD	PNR	325	000		Wokkel	Enkel
2	5	MOD	PNR	530	000		Koppelstuk	Speelbuis
3	1	MOD	PNR	531	000		Basisstuk	Speelbuis
4	1	MOD	PNR	532	000		Basisstuk + lippen	Speelbuis
5	1	MOD	PNR	533	000		Hoekstuk	Speelbuis
6	1	MOD	PNR	536	000		balanshoek	Speelbuis
7	2	MOD	PNR	537	000	A	Einddop	buis 70
8	1	MOD	PNR	540	000	B	Springplank	Speelbuis
9	1	MOD	PNR	542	000	A	Klimwandje	Speelbuis
10	1	MOD	PNR	543	003		Speelbollen x3	Speelbuis
11	1	MOD	PNR	544	000		Duikel 90 cm	Speelbuis
12	1	MOD	PNR	545	000	A	Schoolbord	Speelbuis
13	1	MOD	PNR	552	000		Glijstangen	Speelbuis



Benaming | Playchain 204  
 Opmerking | Pionier  
 Datum | 23-1-2017

Tekening  
Drawing

TOE PNR 000 204

Modules Modules

**Geleverde modules:**

Zie tabel

**Montageinstructie:**

- De hoofdmaten geven de maten van de staanders en vloeren aan
- De detailtekeningen geven specifiek de maten van de verbindingen aan
- De modules met buizen zijn op de tekeningen bemaat op bovenkant kopplaat
- Overige modules zijn bemaat op de bovenkant (klimwanden, paalkappen, etc.)

**Montagevolgorde:**

- 1 - Graaf de gaten volgens het bodemplan
- 2 - Plaats 3
- 3 - Plaats 8
- 4 - Verbind 8 met 2 aan 3
- 5 - Plaats 5
- 6 - Verbind 5 met 2 aan 8
- 7 - Plaats 10
- 8 - Verbind 10 met 2 aan 5
- 9 - Plaats 6
- 10 - Verbind 6 met 2 aan 10
- 11 - Plaats 4
- 12 - Verbind 4 met 2 aan 6
- 13 - Verbind 12 aan 4
- 14 - Verbind 9 en 13 aan 3
- 15 - Verbind 11 op de goede hoogte aan 4
- 16 - Verbind 1 op de goede hoogte aan 3
- 17 - Plaats 7 in einde buis 3
- 18 - Plaats 7 in einde buis 4
- 19 - Controleer of het toestel voldoet aan de afmetingen zoals op blad 'afmetingen'
- 20 - Dicht de gaten en verdicht het zand

**Controles:**

- 1 - Correcte opbouw en alle bevestigingsmiddelen
- 2 - Controleer de afmetingen van de valbodem t.o.v. het toestel
- 3 - Zorg dat de uiteinden van de wip op de demper komen
- 4 - De uiterste hoogte van het uiteinde van de balk (<100 cm)

**Supplied modules:**

See table

**Assembly instruction:**

- The main dimensions indicate the dimensions of the posts and floors
- The detailed dimensions show the specific dimensions of the connections
- The modules which contain tubes are dimensioned at the top of the flanges
- Other modules are dimensioned at the top (climbing walls, caps for the posts, etc.)

**Assembly sequence:**

- 1 - Dig the holes according to the ground plan
- 2 - Place 3
- 3 - Place 8
- 4 - Attach 8 with 2 to 3
- 5 - Place 5
- 6 - Attach 5 with 2 to 8
- 7 - Place 10
- 8 - Attach 10 with 2 to 5
- 9 - Place 6
- 10 - Attach 6 with 2 to 10
- 11 - Place 4
- 12 - Attach 4 with 2 to 6
- 13 - Attach 12 to 4
- 14 - Attach 9 and 13 to 3
- 15 - Connect 11 at right height to 4
- 16 - Connect 1 at right height to 3
- 17 - Place 7 in end of pipe of 3
- 18 - Place 7 in end of pipe of 4
- 19 - Check that the equipment conforms to the dimensions shown on sheet 'dimensions'
- 20 - Close the holes and compact the sand

**Checks:**

- 1 - Correct assembly and all the fasteners
- 2 - Check the dimensions of the safety area with regard to the play equipment
- 3 - Make sure the ends of the seesaw land on the shock absorber
- 4 - The maximum height of the end of the bar (<100 cm)



Benaming

Title

Opmerking

Comment

Datum

Date

Tekening

Drawing

**Montage Mounting**

# PNRE000.204

Playchain 204

## LOGBOOK

(Onderstaand logboek kan gebruikt worden om te voldoen aan de eisen, gesteld in artikel 14 van het Warenwetbesluit Attractie- en Speeltoestellen)

Type indication	Pioneer Play
Product code	PNRE000.204
Name of equipment	Playchain 204
Maximum height of fall	1,0 m
Year of construction	2017
Certificate	11100319321
inspection authority	Liftinstituut B.V. Buikslotermeerplein 381, A'dam - 1025 XE Amsterdam
Name manufacturer	BOERplay Hyacintstraat 2 - 4255 HX Nieuwendijk Phone: +31 (0)183 40 23 66 Fax: +31 (0)183 40 35 64
name installer	_____ _____
Description of equipment	Playchain 204
Location of equipment	_____
Data about the owner of the play equipment	
Name:	_____
Address:	_____
Postcode and town:	_____
Contact person:	_____
Telephone number:	_____
Data about the administrator of the play equipment	
Name:	_____
Address:	_____
Postcode and town:	_____
Contact person:	_____
Telephone number:	_____

# LOGBOOK

## Inspection and maintenance intervals



Nr.	Inspection	Maintenance	months between inspections
1	Verify equipment's stability, junctions and missing parts. Inspect bolts, screws and nuts for absence, jams, corrosion and wear.	Add missing parts, secure joints, apply missing fixing agent and replace corroded parts.	1
2	Check suspension for wear.	Replace worn parts and/or remove non-functioning parts.	1
3	Inspect rotating parts such as hinges, rolling-element bearings, etc. for wear and acceptability.	Replace worn parts and/or remove non-functioning parts.	1
4	Check wood for splinters, unacceptable damage and signs of rot. Especially at ground level.	Repair damage. Replace affected wood. Smoothen splintered wood and sharp edges.	1
5	Inspect foundation for stability, tearing and coverage.	Restore foundation and covering material.	3
6	Examine rubber and synthetic parts for wear, damage and break.	Replace original parts.	3
7	Inspect metal for corrosion and damage in the coating.	Restore any damaged coating (after removing rust and applying primer).	6
8	Check ropes, cables, chains and nets for wear and damage. Steel cables and nets which are tensioned must be checked for tension.	Replace parts where necessary. Steel cables and nets must be tensioned.	3
9	Inspect equipment for unsafe changes and additions.	Remove unsafe additions and correct unsafe changes.	1
10	Inspect safety surfaces.	Restore and repair where necessary.	1

## Remarks

1. If used intensively, all points require extra attention.
2. Extreme weather conditions and locations may require a higher inspection frequency. Discuss this with the supplier.
3. Vandalism-sensitive locations require stricter inspections, possibly daily.
4. Check the terrain regularly for items that do not belong there, are unsafe or may be used wrongly. Examples are poisonous plants, glass shards, etc. Frequency depends on strain.
5. Remember that bad maintenance leads to unsafe conditions and notably faster impoverishment of the playground area.
6. Replacement parts can be ordered at the manufacturer with the part numbers on the module drawing. Drawings can be found in de user guide.
7. The impact area shall be provided with impact attenuating surface according to the specified falling height.
8. This list is conform the CEN-standard "playground equipment and surfacing NEN-EN 1176-7".



# TYPE-EXAMINATION CERTIFICATE

Acting under the " Warenwetbesluit Attractie- en Speeltoestellen" issued by Liftinstituut B.V.  
commissioned by departmental order, no. VGP/PSL 2857566 from 27 Juni 2008.

Certificate nr. : NL 11-100319321 Revision nr.: -

Description of the product : Playground equipment Pionier Playchain, consisting of separate modules which must be combined for an approved play-unit

Trademark, type : Playground equipment: TOE PNR 000 xxx. Modules MOD-PNR-5yy-zzz. Variabele xxx: Serialnumber playground equipment. Variabele yy: 30, 31, 32, 33, 37, 40, 41, 42, 43, 44, 45, 46. Variabele zzz: Variant of module.

Name and address of the manufacturer : Boer Speeltoestellen  
Hyacinthstraat 2  
4255 HX Nieuwendijk

Name and address of the certificate holder : Boer Speeltoestellen  
Hyacinthstraat 2  
4255 HX Nieuwendijk

Certificate issued on the basis of the following requirements : Warenwetbesluit Attractie- en Speeltoestellen, NEN-EN 1176-1:2008, NEN-EN 1176-2:2008, NEN-EN 1176-3:2008

Test laboratory : None

Date and number of the laboratory report : None

Date of type-examination : 11 november 2010 till 9 february 2011

Annexes with this certificate : Report belonging to the type-examination certificate nr.: 100319321

Additional remarks : This certificate is only valid when the used modules are combined as written in the designrules Pionier Playchain

Conclusion : The playground equipment meets the requirements of the above specified European standard(s) and "Warenwetbesluit Attractie- en Speeltoestellen" taking into account any additional remarks mentioned above.

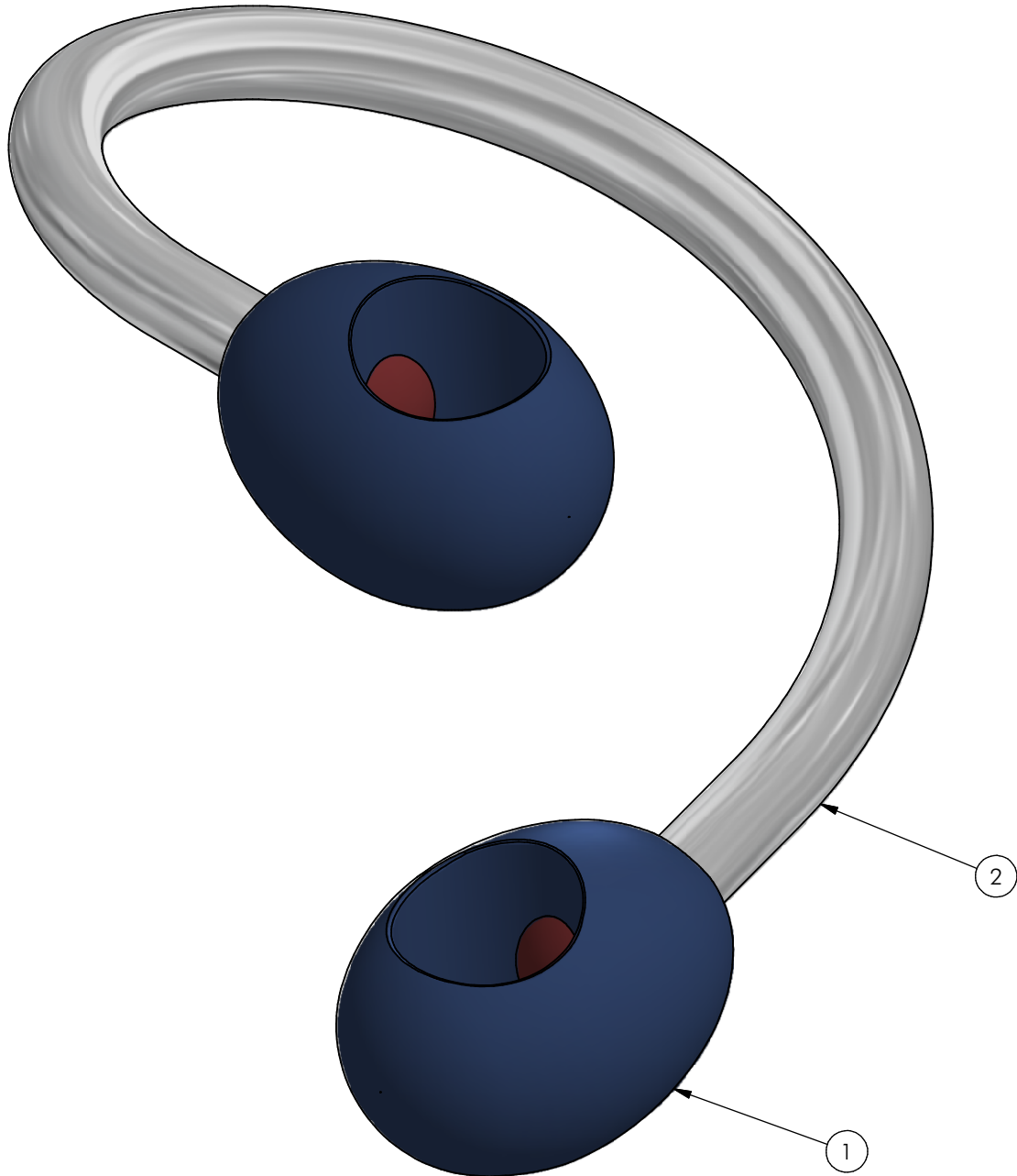


Issued in Amsterdam  
Date of issue : 14 February 2011

Ir. V.M.A. Barendregt  
LIFTINSTITUUT B.V.  
Senior Officer Certification  
& Technology



Drs. B. Mulder  
LIFTINSTITUUT B.V.  
Director Certification &  
Inspection International



2	1	OME	PNR	018	320	B	Wokkelbuis	Wokkel
1	2	SMD	PNR	005	000		Submodule	EI 05
POS	N	TYPE	PROJ.	NR.	BEH.	R	BENAMING	OPMERKING



Benaming  
Title: Wokkel

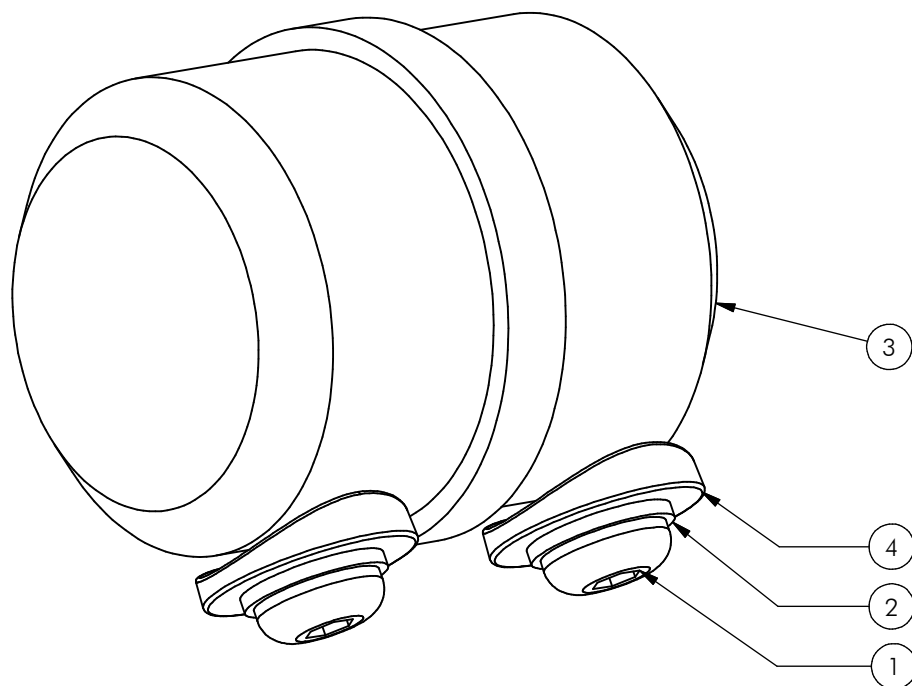
Opmerking  
Comment: Enkel

Datum  
Date: 9-1-2009

Tekening  
Drawing

**MOD PNR 325 000**

Samenstelling module *Assembly module*



4	2	KST	T60	015	030	A	Zadelring	Buis 60, 15x30
3	1	KST	PNR	032	POM	A	Koppeling	Speelbuis
2	2	BSR	030	010	002		SLUITRING	M10
1	2	BSR	023	010	030		BOLKOP SCHROEF	ISO 7380 - M10 x 30
POS	N	TYPE	PROJ.	NR.	BEH.	R	BENAMING	OPMERKING



Benaming  
Title Koppelstuk

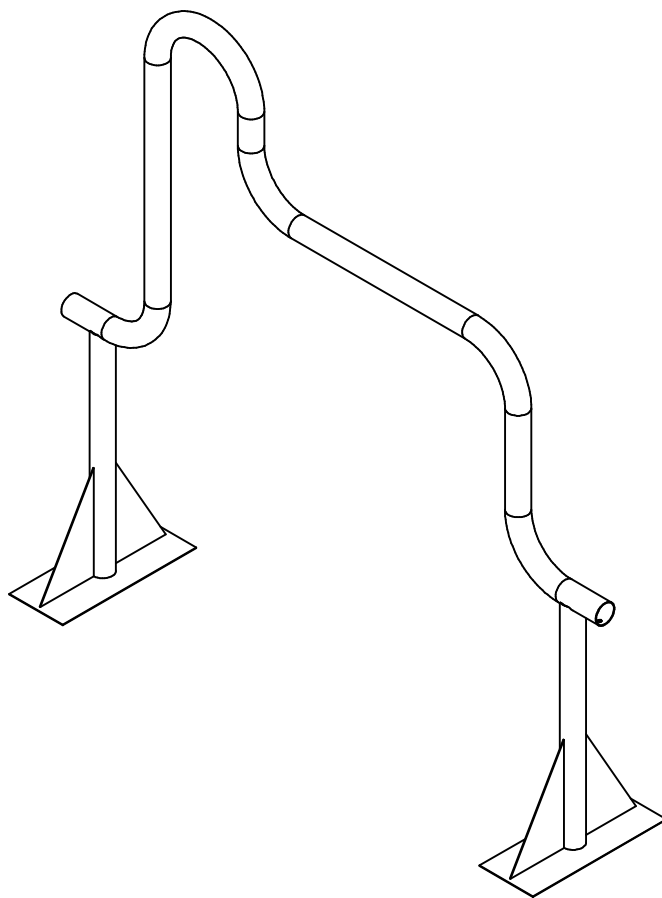
Opmerking  
Comment Speelbuis

Datum  
Date 20-8-2010

Tekening  
Drawing

**MOD PNR 530 000**

**Samenstelling module Assembly module**



1	1	SME	PNR	351	320	A	basisstuk	Speelbuis
POS	N	TYPE	PROJ.	NR.	BEH.	R	BENAMING	OPMERKING



Benaming  
Title Basisstuk

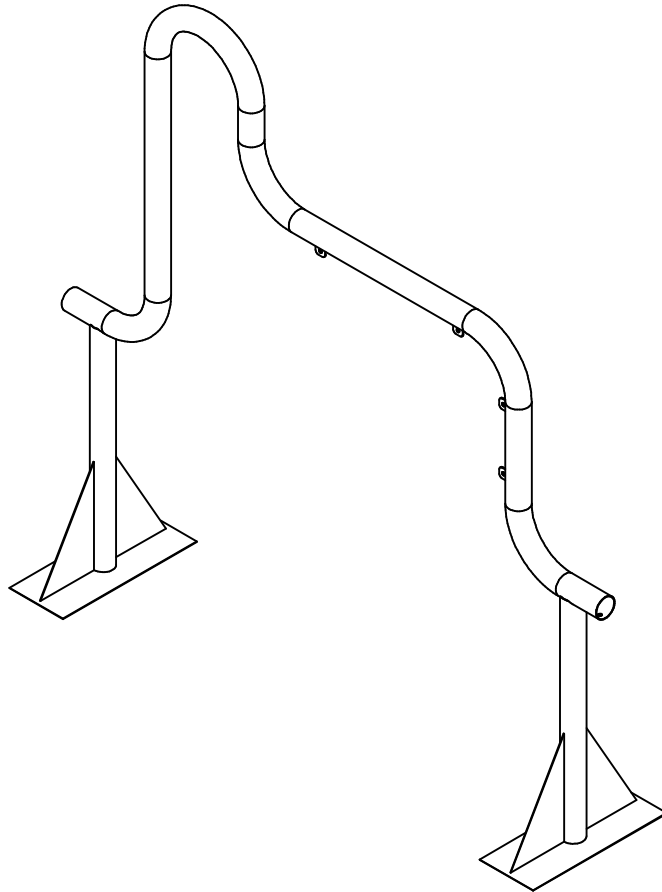
Opmerking  
Comment Speelbuis

Datum  
Date 22-9-2011

Tekening  
Drawing

**MOD PNR 531 000**

Samenstelling module *Assembly module*



1	1	SME	PNR	352	320	A	Basisstuk + lippen	Speelbuis
POS	N	TYPE	PROJ.	NR.	BEH.	R	BENAMING	OPMERKING

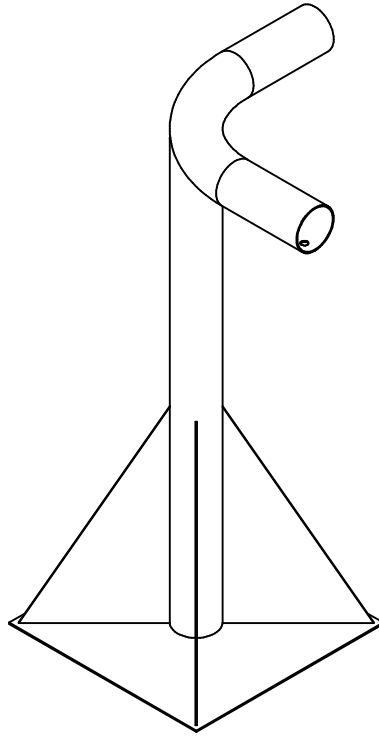


Benaming  
 Title Basisstuk + lippen  
 Opmerking  
 Comment Speelbuis  
 Datum  
 Date 22-9-2011

Tekening  
 Drawing

**MOD PNR 532 000**

**Samenstelling module Assembly module**



1	1	SME	PNR	356	320	A	Bochtstuk	Speelbuis
POS	N	TYPE	PROJ.	NR.	BEH.	R	BENAMING	OPMERKING

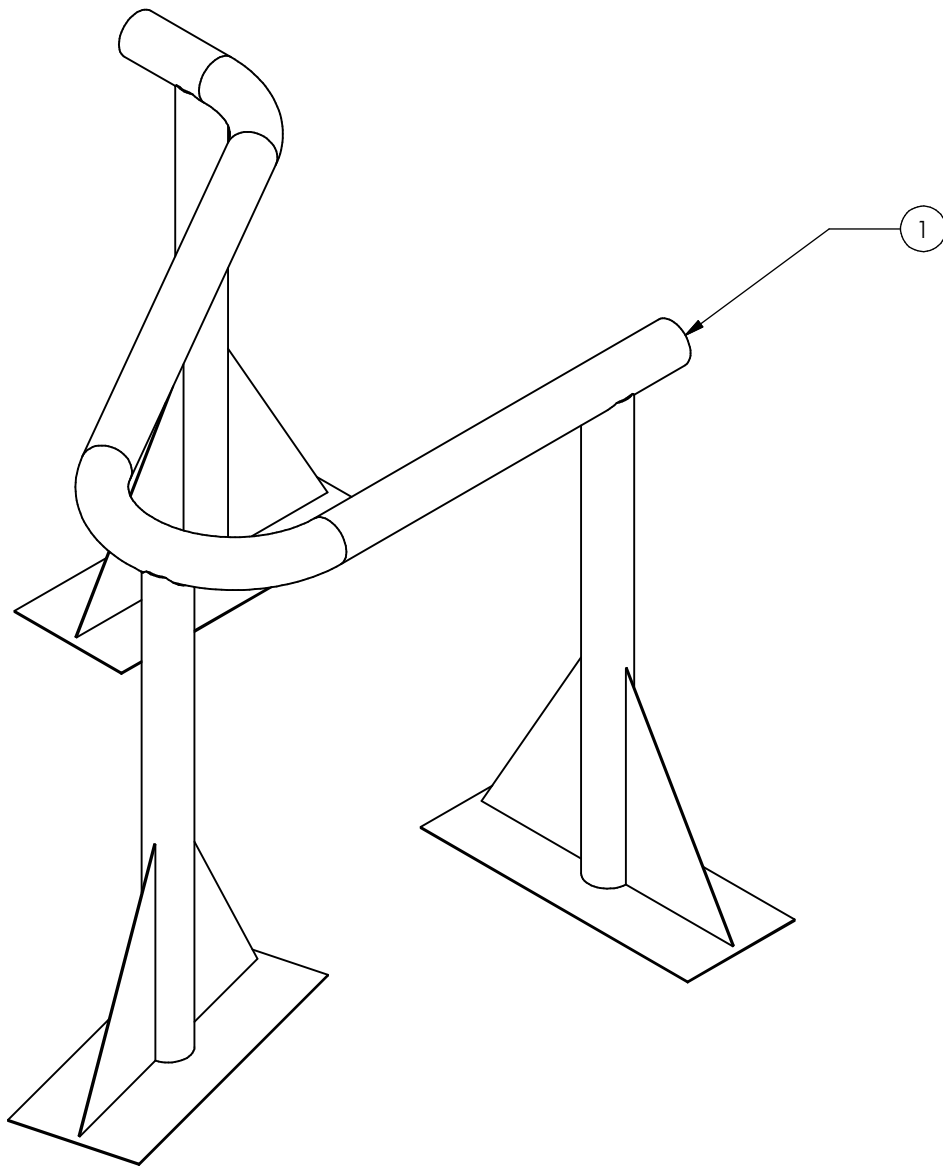


Benaming  
Title | Hoekstuk \_\_\_\_\_  
Opmerking  
Comment | Speelbuis \_\_\_\_\_  
Datum  
Date | 22-9-2011 \_\_\_\_\_

Tekening  
Drawing

**MOD PNR 533 000**

**Samenstelling module Assembly module**



1	1	SME	PNR	359	320	A	Halve Balansbalk	Speelbuis
POS	N	TYPE	PROJ.	NR.	BEH.	R	BENAMING	OPMERKING



Benaming  
Title | balanshoek \_\_\_\_\_

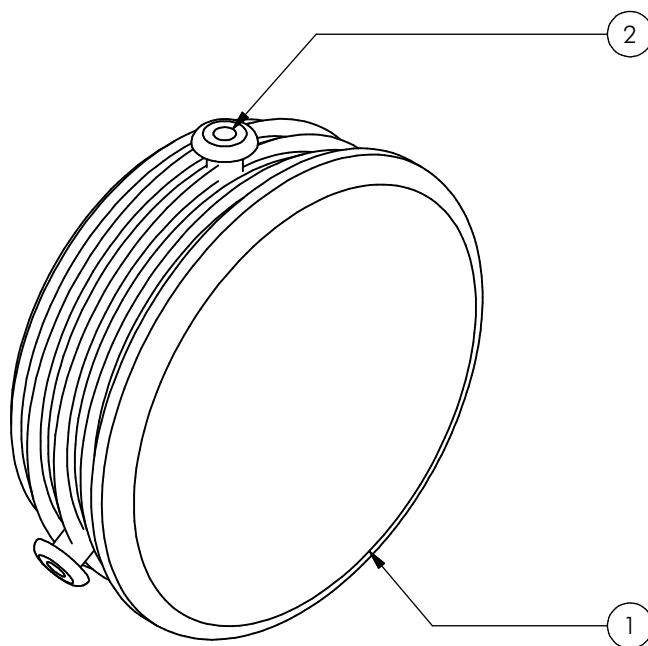
Opmerking  
Comment | Speelbuis \_\_\_\_\_

Datum  
Date | 22-9-2011 \_\_\_\_\_

Tekening  
Drawing

**MOD PNR 536 000**

**Samenstelling module Assembly module**



POS	N	TYPE	PROJ.	NR.	BEH.	R	BENAMING	OPMERKING
1	1	KST	LAM	070	005		Lamellenstop	buis 70 x 2-4.5
2	3	BSR	014	005	050		Klinknagel bolkop	4,8 x 12 - RVS A2-70



Benaming  
Title Eindhop

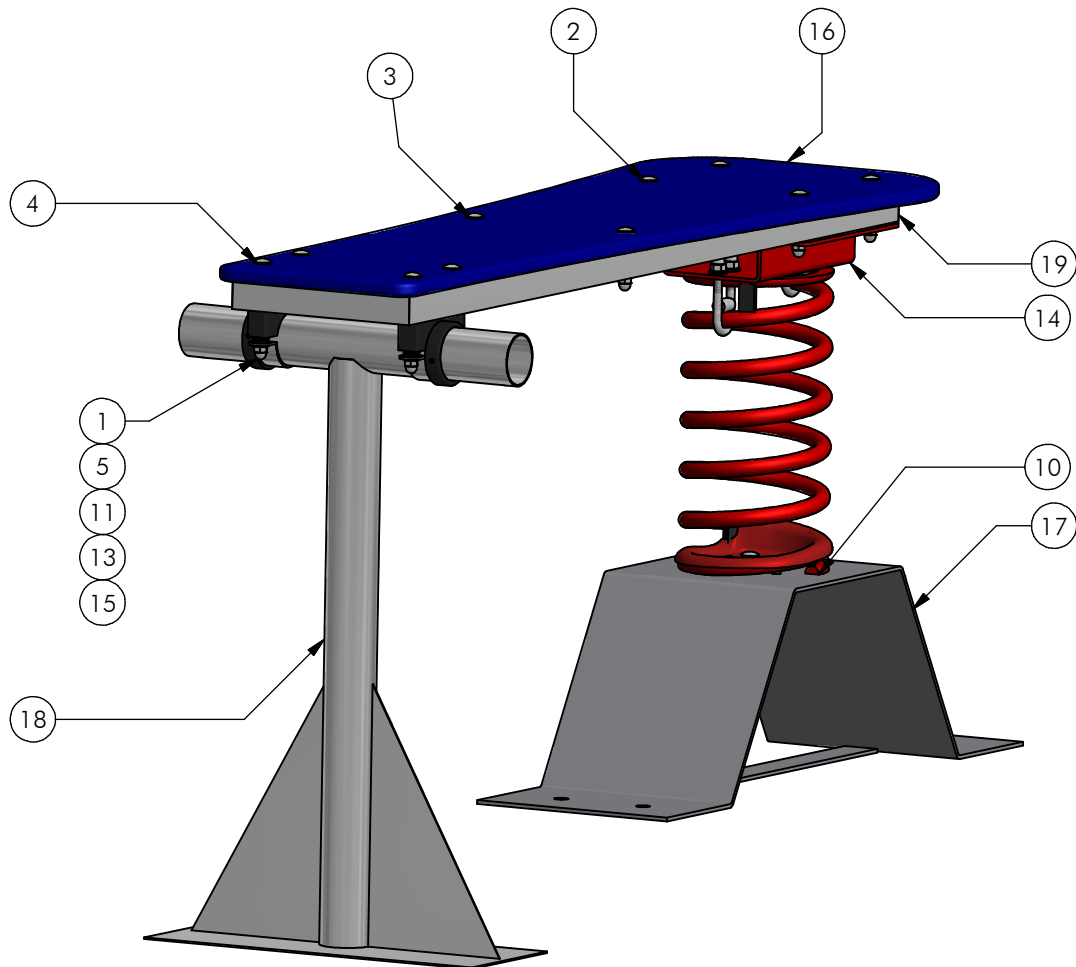
Opmerking  
Comment buis 70

Datum  
Date 11-12-2013

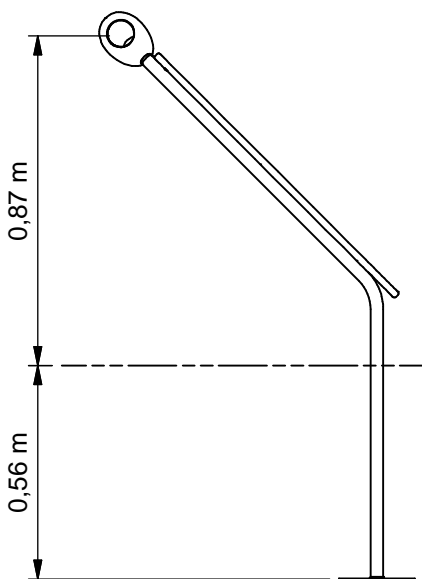
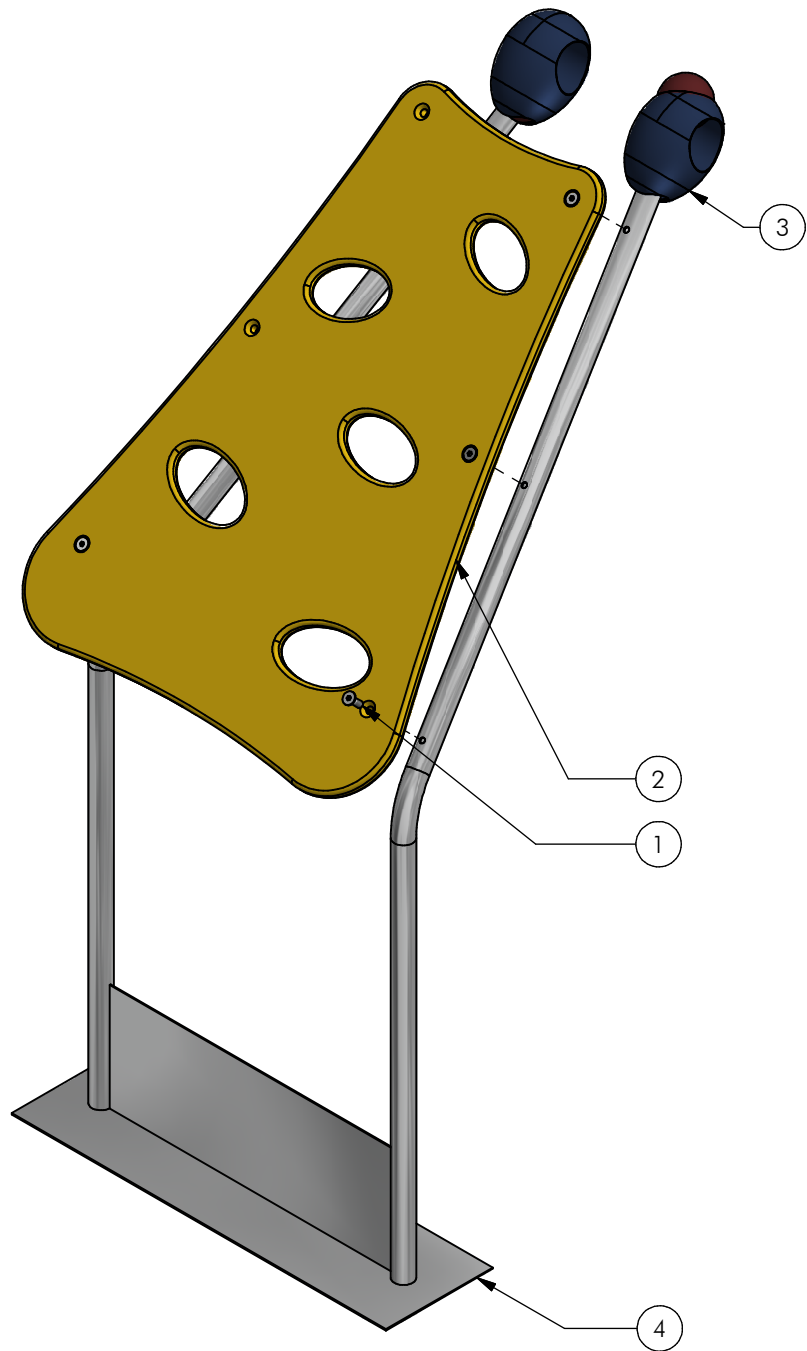
Tekening  
Drawing

**MOD PNR 537 000 A**  
**Samenstelling module Assembly module**





Nr	#	Type	Progr.	Volgnr	Bew.	Rev.	Benaming	Opmerking
1	10	BSR	011	010	020		DOPMOER	BORG RVS M10
2	4	BSR	026	010	080		Slotbout	M10 x 80 - RVS A2-70
3	2	BSR	026	010	070		Slotbout	M10 x 70 - RVS A2-70
4	4	BSR	026	010	120		Slotbout	M10 x 120 - RVS A2-70
5	10	BSR	030	010	002		SLUITRING	M10
6	4	BSR	047	005	030		Spiraalbus	5 x 30 - RVS A2-70
7	3	BSV	010	010	010		Borgmoer	M10 - VZ 8.8
8	3	BSV	026	010	035		SLOTBOUT	M10x35
9	3	BSV	030	010	002		SLUITRING	M10 VZ
10	1	DRD	ELB	020	004		Veer 40 cm	Schotel en U-bouten
11	2	KST	PNR	030	POM	A	lagerblok	lagering speelbuis
12	2	KST	PNR	031	POM	A	Borgring	Speelbuis
13	12	KST	ROR	010	000		RING NYLON	M10 x 2.5 MM
14	1	OME	MNP	068	320		bevestigingsplaat	veerwip veer
15	2	OME	OMB	070	RVS		Omega Beugel	buis 70
16	1	OPE	SOL	068	051	D	Springplank	Speelbuis
17	1	SME	MNP	016	372		grondanker	veerwip
18	1	SME	PNR	366	320		Poot springplank	Speelbuis
19	1	SME	PNR	395	320		Frame	Springplank



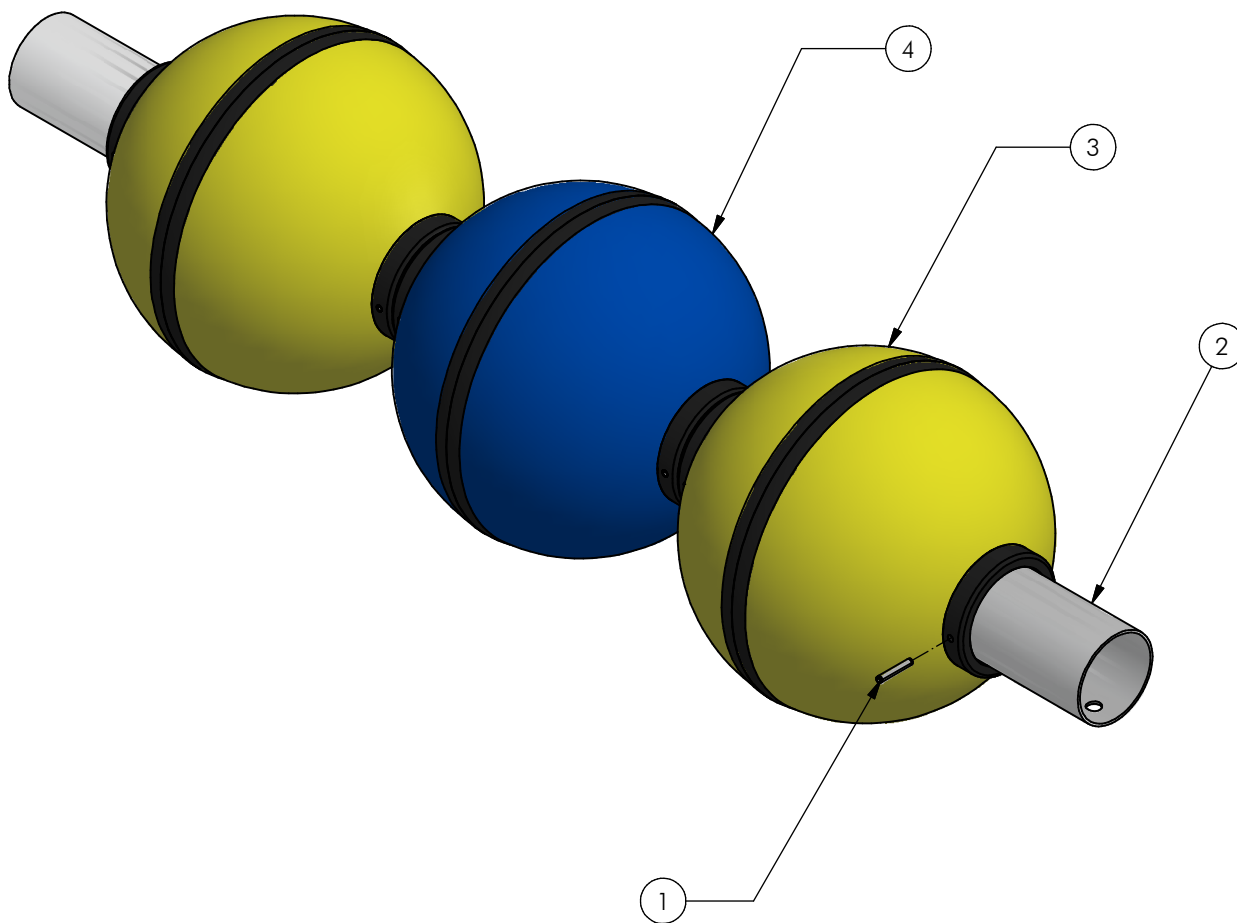
Nr	#	Type	Progr.	Volgnr	Bew.	Rev.	Benaming	Opmerking
1	6	BSR	024	010	030		Verzonken bout	M10 x 30 - RVS A2-70
2	1	OPE	PNR	031	010	B	Klimplaat	Speelbuis
3	2	SMD	PNR	005	000		Submodule	EI 05
4	1	SME	PNR	354	320	A	Klimwand frame	Speelbuis



Benaming Title Klimwandje  
 Opmerking Comment Speelbuis  
 Datum Date 28-10-2013

Tekening Drawing

**MOD PNR 542 000 A**  
 Samenstelling module Assembly module



4	1	SMD	PNR	031	000	Bol blauw	Speelbuis	
3	2	SMD	PNR	030	000	Bol geel	Speelbuis	
2	1	OME	PNR	368	320	lang recht stuk	Speelbuis	
1	12	BSR	047	005	030	SPIRAALBUS	5 x 30	
POS	N	TYPE	PROJ.	NR.	BEH.	R	BENAMING	OPMERKING



Benaming  
Title | Spielbollen x3

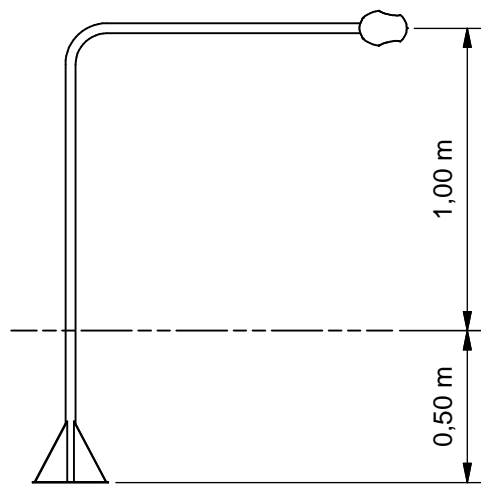
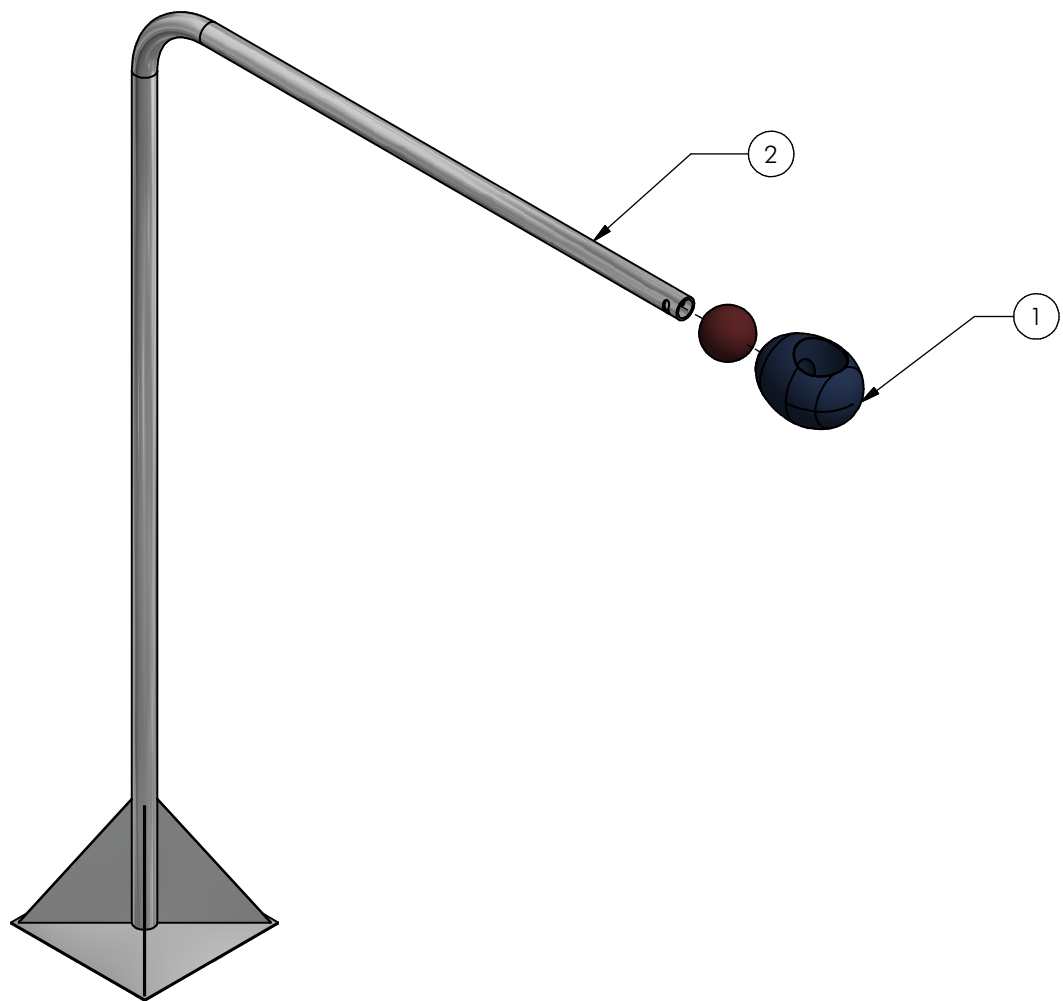
Opmerking  
Comment | Spielbuis

Datum  
Date | 20-8-2010

Tekening  
Drawing

**MOD PNR 543 003**

Samenstelling module *Assembly module*



Nr	#	Type	Progr.	Volgnr	Bew.	Rev.	Benaming	Opmerking
1	1	SMD	PNR	005	000		Submodule	EI 05
2	1	SME	PNR	355	320		Duikel 90cm	Speelbuis



Benaming  
Title Duikel 90 cm

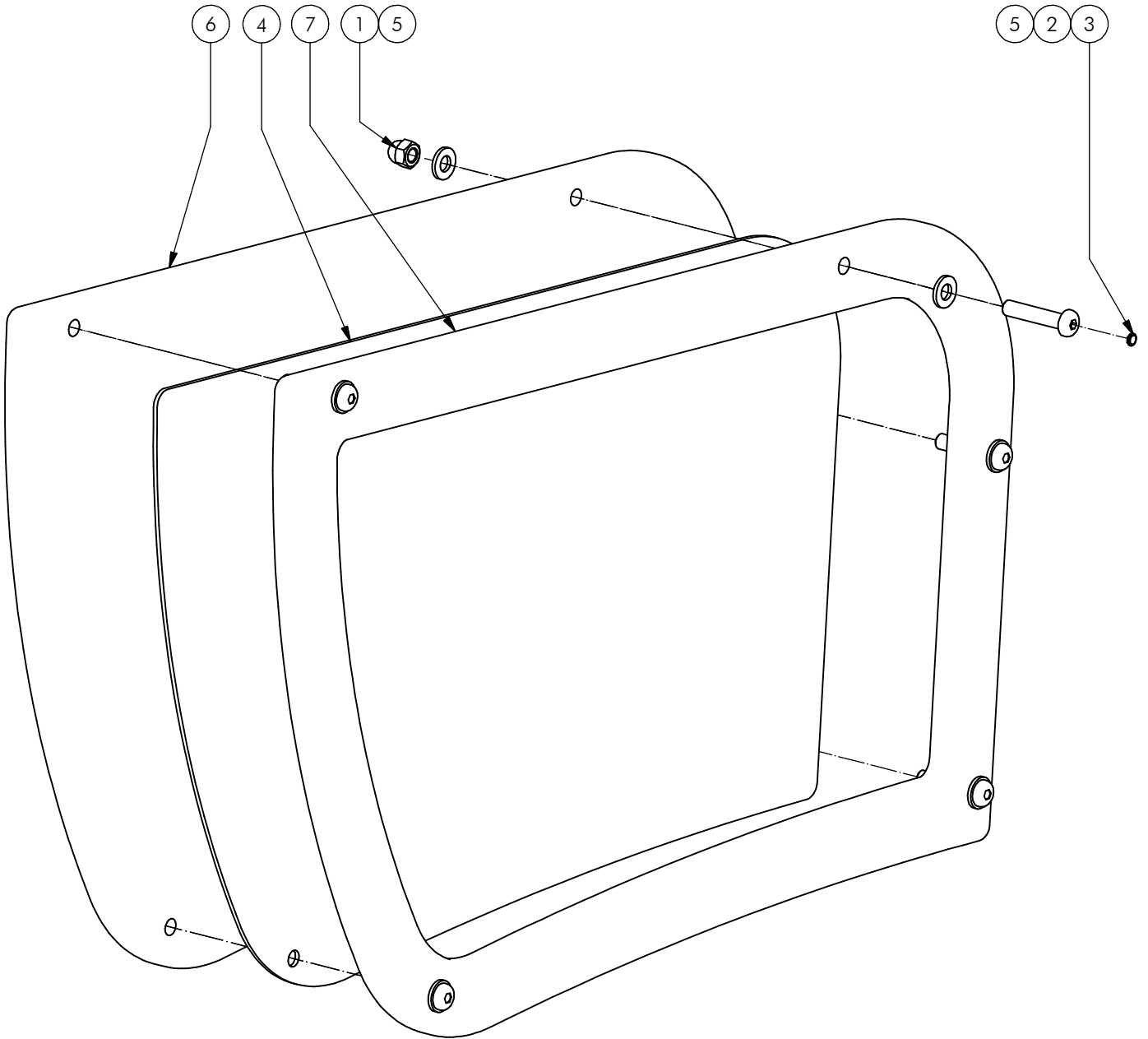
Opmerking  
Comment Speelbuis

Datum  
Date 18-8-2010

Tekening  
Drawing

**MOD PNR 544 000**

Samenstelling module *Assembly module*



Nr	#	Type	Progr.	Volgnr	Bew.	Rev.	Benaming	Opmerking
1	5	BSR	011	010	020		DOPMOER	BORG RVS M10
2	5	BSR	023	010	050		Bolkopbout ISO 7380	M10 x 50 - RVS A2-70
3	5	KST	DOP	006	030		OPVULDOPJE	6 MM ROOD
4	1	KST	PNR	012			Schoolbordplaat	voor PE rand
5	10	KST	ROR	010	000		RING NYLON	M10 x 2.5 MM
6	1	OPE	PNR	035			Achterkant schoolbord	Speelbuis
7	1	OPE	PNR	036			Rand schoolbord	Speelbuis



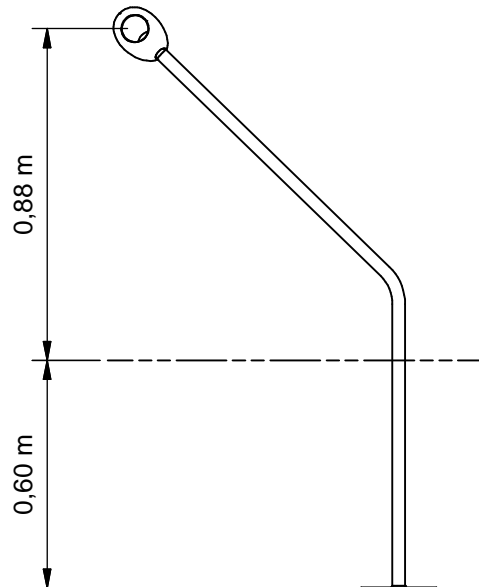
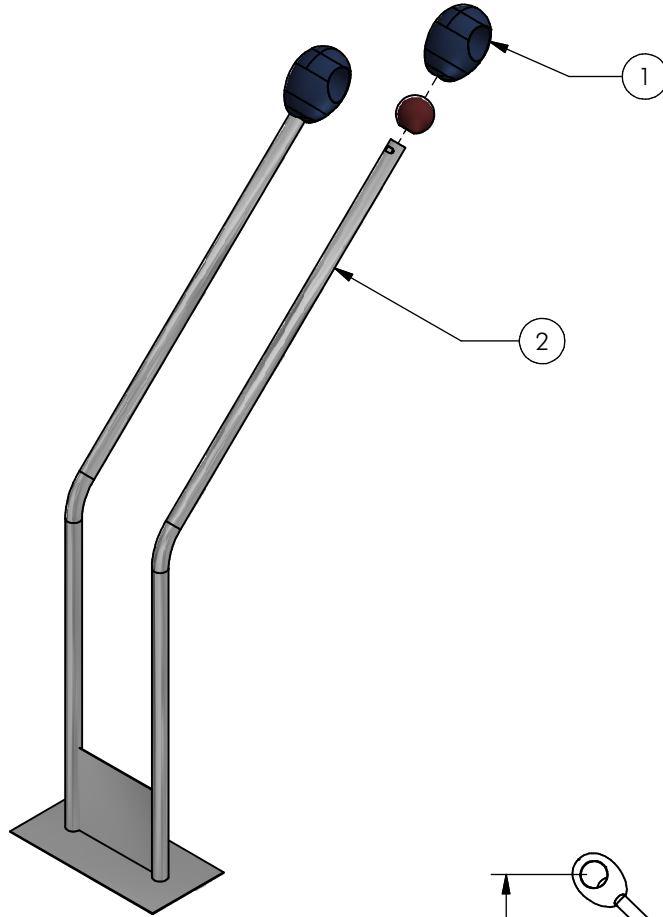
Benaming  
Title Schoolbord

Opmerking  
Comment Speelbuis

Datum  
Date 20-1-2017

Tekening  
Drawing

**MOD PNR 545 000 A**  
 Samenstelling module Assembly module



Nr	#	Type	Progr.	Volgnr	Bew.	Rev.	Benaming	Opmerking
1	2	SMD	PNR	005	000		Submodule	EI 05
2	1	SME	PNR	361	320	B	Glijstangen	Speelbuis



Benaming | Glijstangen  
 Opmerking | Speelbuis  
 Datum | 28-11-2011

Tekening  
 Drawing

**MOD PNR 552 000**

Samenstelling module Assembly module