



# Pioneer Play

## PNRE000.110

Playchain 110



# PNRE000.110

Playchain 110



1+



3 - 8



4.6 x 2.3 x 1.4 m



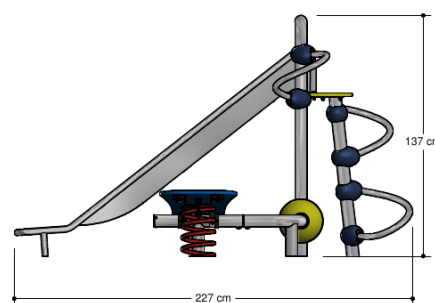
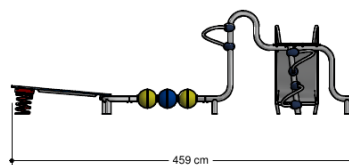
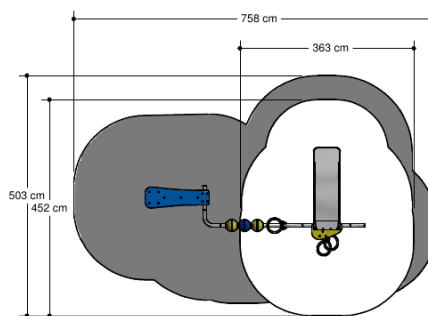
3.6 x 4.5 m



7.6 x 5.1 m



1.0 m



## Playfunctions

Balancing, sliding, spring, sitting

## Material

The basic material consists of only high quality stainless steel and plastics. All materials are each attached with stainless steel fasteners.

## Anchorage

The poles will go in the ground for 60 cm.

## Comments

If the soil does not contribute to the stability it may be necessary to add concrete.

## Opvangzone

Impact area

WAS, Dutch law

EN1176

## Obstakelvrije zone

Obstacle free zone

WAS, Dutch law

EN1176

