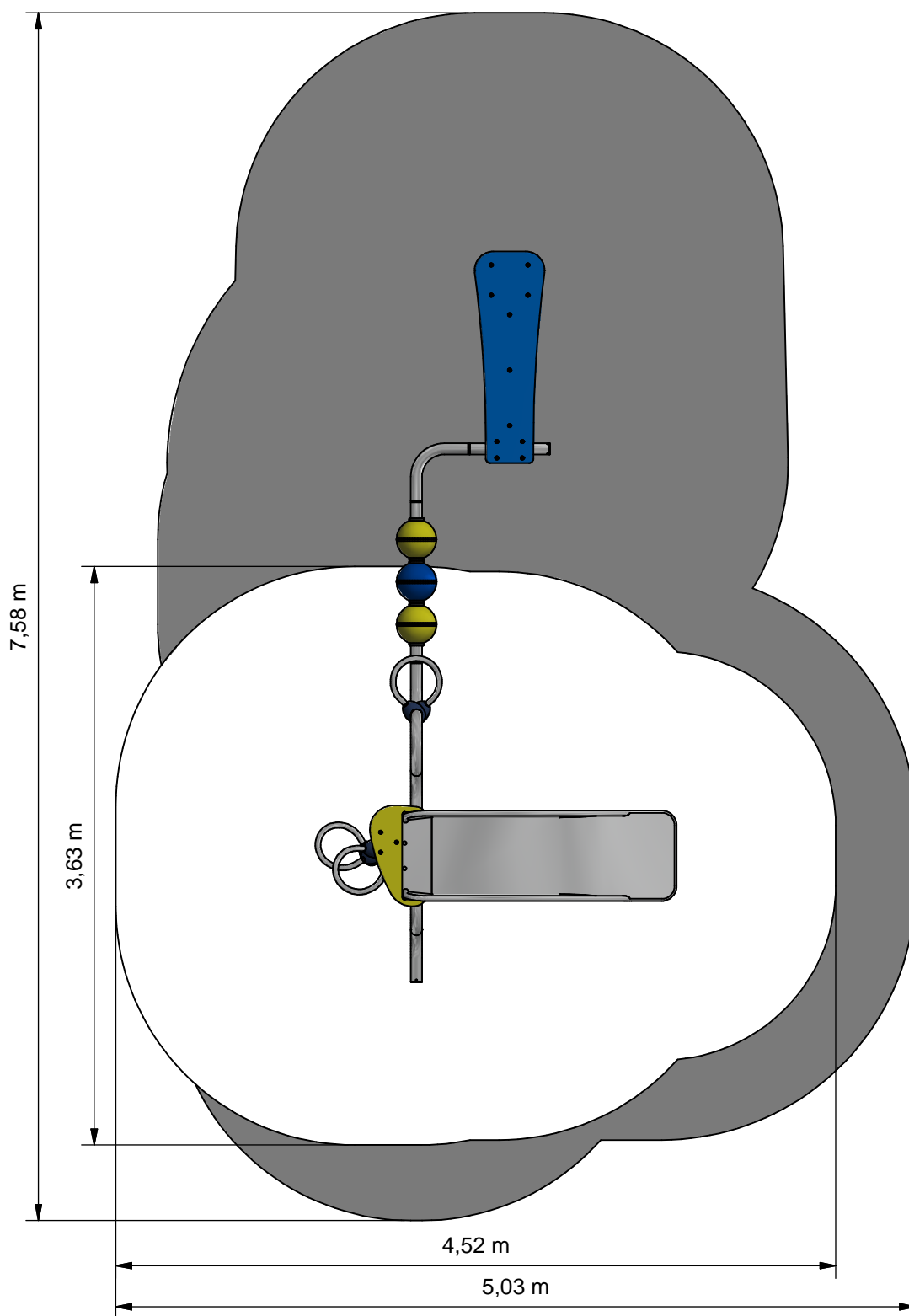




Playchain 110



PNRE000.110



- Opvangzone
Impact area
- Obstakelvrije zone
Obstacle free zone

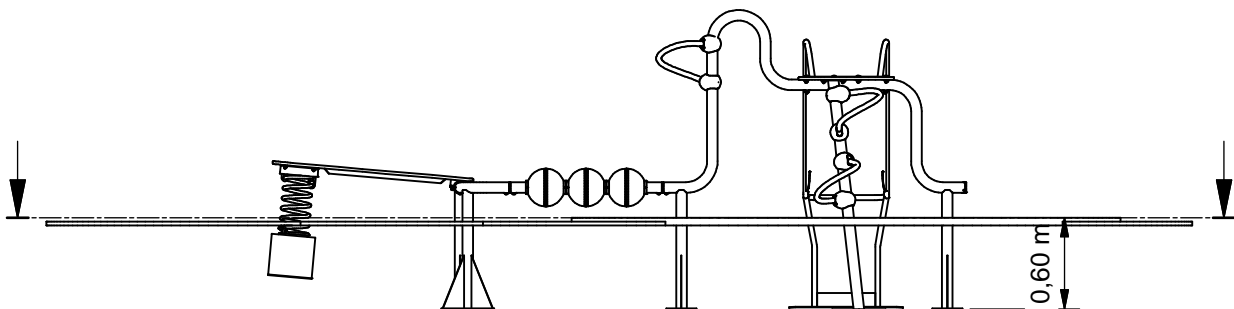
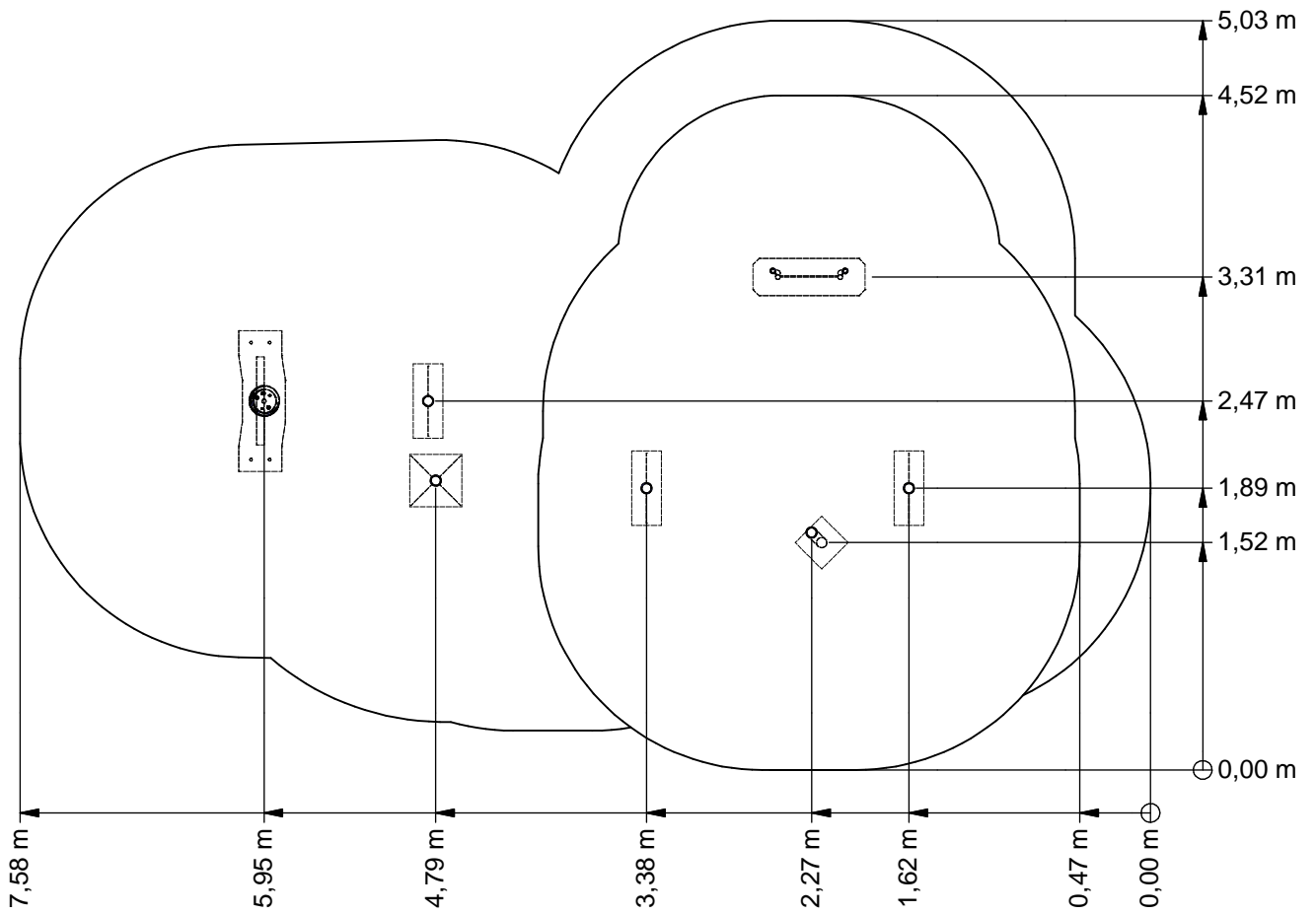


Benaming / Title: Pionier
 Opmerking / Comment: Playchain 110
 Datum / Date: 25-1-2011

Tekening / Drawing

TOE PNR 000 110

Obstakelvrije zone / Obstacle free zone



Benaming
Title Pionier

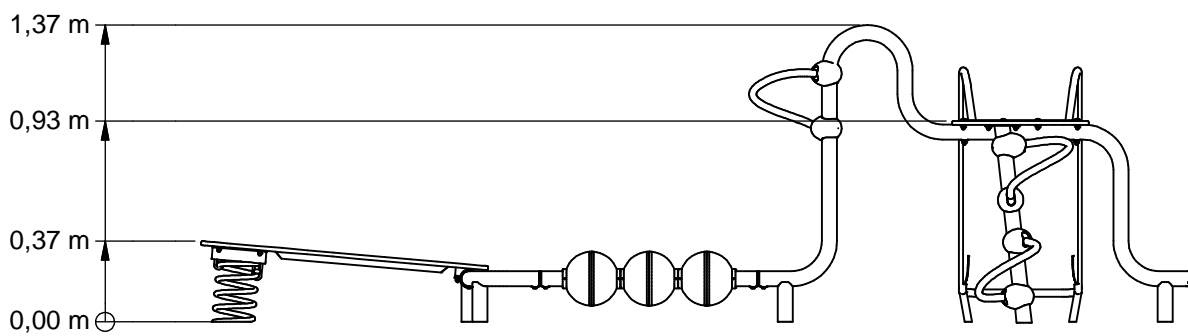
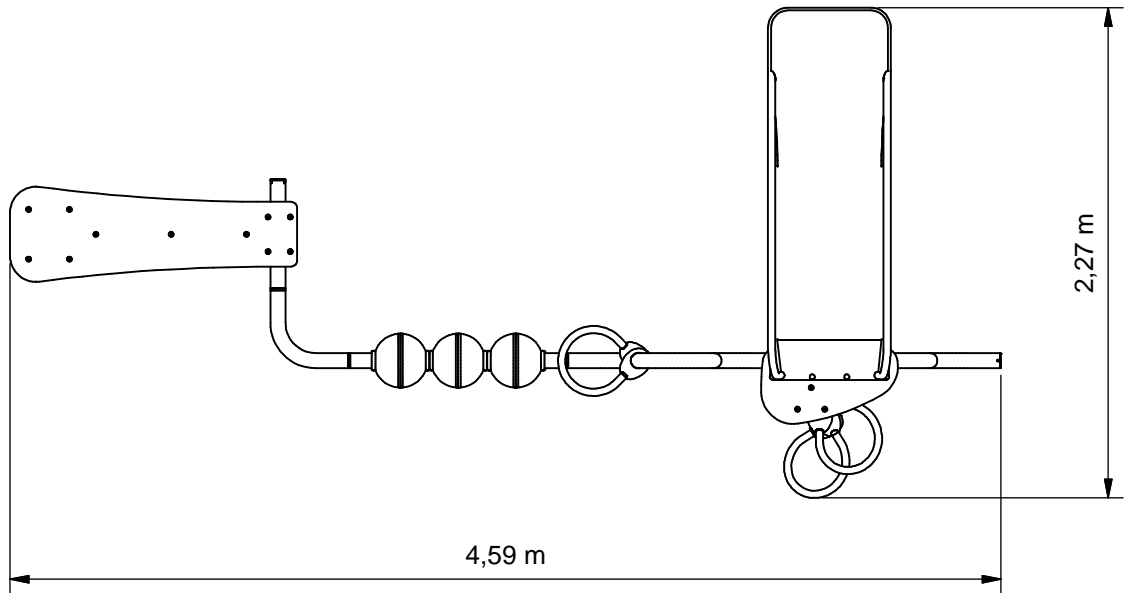
Opmerking
Comment Playchain 110

Datum
Date 25-1-2011

Tekening
Drawing

TOE PNR 000 110

Bodemplan Groundplan



Benaming
Title Pionier

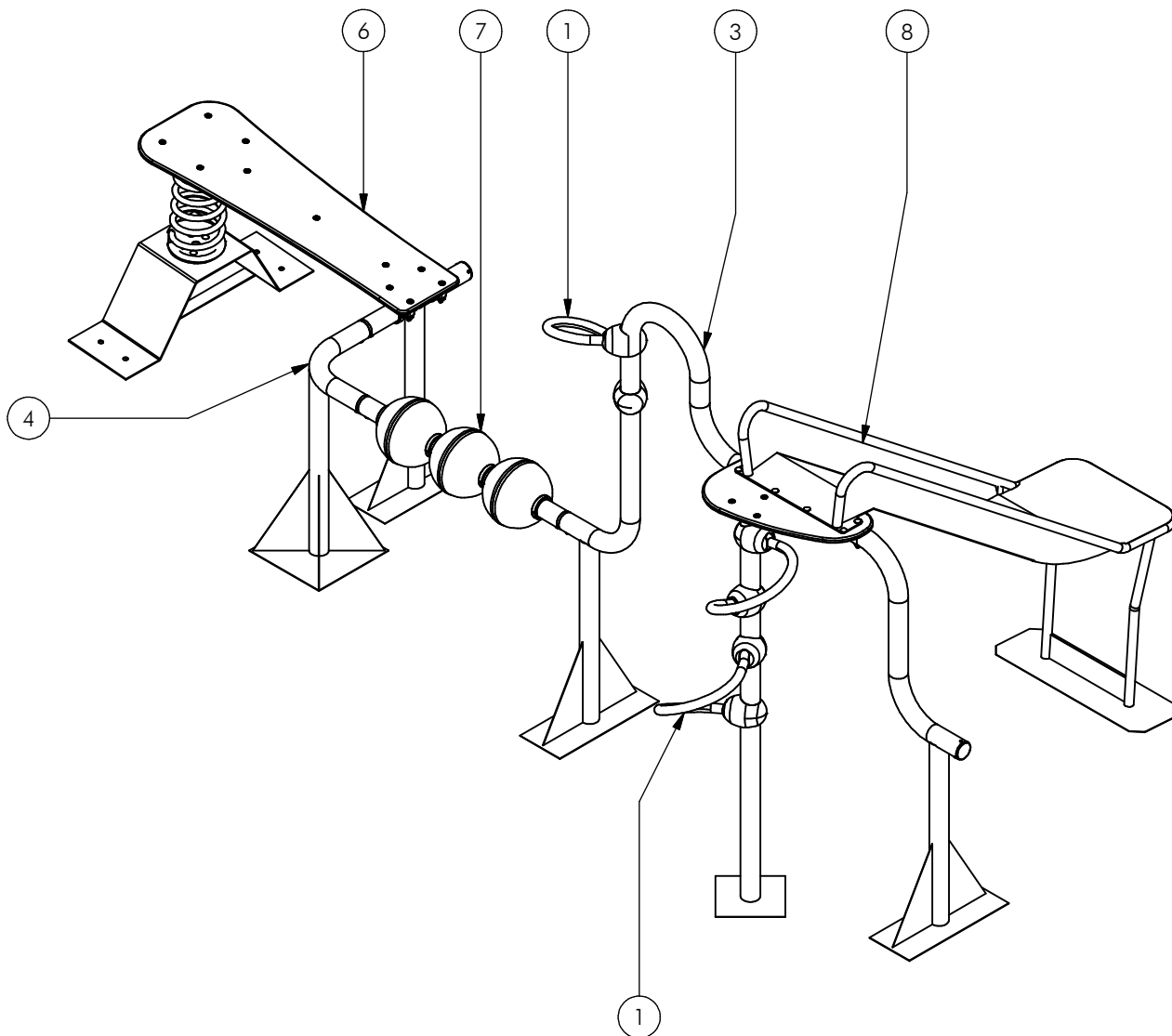
Opmerking
Comment Playchain 110

Datum
Date 2-4-2012

Tekening
Drawing

TOE PNR 000 110

Afmetingen Dimensions



Nr	#	Type	Progr.	Volgnr	Bew.	Rev.	Benaming	Opmerking
1	3	MOD	PNR	325	000		Wokkel	Enkel
2	3	MOD	PNR	530	000		Koppelstuk	Speelbuis
3	1	MOD	PNR	531	000		Basisstuk	Speelbuis
4	1	MOD	PNR	533	000		Hoekstuk	Speelbuis
5	2	MOD	PNR	537	000	A	Einddop	buis 70
6	1	MOD	PNR	540	000		Springplank	Speelbuis
7	1	MOD	PNR	543	003		Speelbollen x3	Speelbuis
8	1	MOD	PNR	546	000	A	Glijbaan 93 cm	Module PNR



Benaming
Title Pionier

Opmerking
Comment Playchain 110

Datum
Date 25-1-2011

Tekening
Drawing

TOE PNR 000 110

Modules Modules

PNRE000.110

Playchain 110

LOGBOOK

(Onderstaand logboek kan gebruikt worden om te voldoen aan de eisen, gesteld in artikel 14 van het Warenwetbesluit Attractie- en Speeltoestellen)

Type indication	Pioneer Play
Product code	PNRE000.110
Name of equipment	Playchain 110
Maximum height of fall	1,0 m
Year of construction	2017
Certificate	11100319321
inspection authority	Liftinstituut B.V. Buikslotermeerplein 381, A'dam - 1025 XE Amsterdam
Name manufacturer	BOERplay Hyacintstraat 2 - 4255 HX Nieuwendijk Phone: +31 (0)183 40 23 66 Fax: +31 (0)183 40 35 64
name installer	_____ _____
Description of equipment	Playchain 110
Location of equipment	_____
Data about the owner of the play equipment	
Name:	_____
Address:	_____
Postcode and town:	_____
Contact person:	_____
Telephone number:	_____
Data about the administrator of the play equipment	
Name:	_____
Address:	_____
Postcode and town:	_____
Contact person:	_____
Telephone number:	_____

LOGBOOK

Inspection and maintenance intervals



Nr.	Inspection	Maintenance	months between inspections
1	Verify equipment's stability, junctions and missing parts. Inspect bolts, screws and nuts for absence, jams, corrosion and wear.	Add missing parts, secure joints, apply missing fixing agent and replace corroded parts.	1
2	Check suspension for wear.	Replace worn parts and/or remove non-functioning parts.	1
3	Inspect rotating parts such as hinges, rolling-element bearings, etc. for wear and acceptability.	Replace worn parts and/or remove non-functioning parts.	1
4	Check wood for splinters, unacceptable damage and signs of rot. Especially at ground level.	Repair damage. Replace affected wood. Smoothen splintered wood and sharp edges.	1
5	Inspect foundation for stability, tearing and coverage.	Restore foundation and covering material.	3
6	Examine rubber and synthetic parts for wear, damage and break.	Replace original parts.	3
7	Inspect metal for corrosion and damage in the coating.	Restore any damaged coating (after removing rust and applying primer).	6
8	Check ropes, cables, chains and nets for wear and damage. Steel cables and nets which are tensioned must be checked for tension.	Replace parts where necessary. Steel cables and nets must be tensioned.	3
9	Inspect equipment for unsafe changes and additions.	Remove unsafe additions and correct unsafe changes.	1
10	Inspect safety surfaces.	Restore and repair where necessary.	1

Remarks

1. If used intensively, all points require extra attention.
2. Extreme weather conditions and locations may require a higher inspection frequency. Discuss this with the supplier.
3. Vandalism-sensitive locations require stricter inspections, possibly daily.
4. Check the terrain regularly for items that do not belong there, are unsafe or may be used wrongly. Examples are poisonous plants, glass shards, etc. Frequency depends on strain.
5. Remember that bad maintenance leads to unsafe conditions and notably faster impoverishment of the playground area.
6. Replacement parts can be ordered at the manufacturer with the part numbers on the module drawing. Drawings can be found in de user guide.
7. The impact area shall be provided with impact attenuating surface according to the specified falling height.
8. This list is conform the CEN-standard "playground equipment and surfacing NEN-EN 1176-7".

TYPE-EXAMINATION CERTIFICATE

Acting under the " Warenwetbesluit Attractie- en Speeltoestellen" issued by Liftinstituut B.V.
commissioned by departmental order, no. VGP/PSL 2857566 from 27 Juni 2008.

Certificate nr. : NL 11-100319321 Revision nr.: -

Description of the product : Playground equipment Pionier Playchain, consisting of separate modules which must be combined for an approved play-unit

Trademark, type : Playground equipment: TOE PNR 000 xxx. Modules MOD-PNR-5yy-zzz. Variabele xxx: Serialnumber playground equipment. Variabele yy: 30, 31, 32, 33, 37, 40, 41, 42, 43, 44, 45, 46. Variabele zzz: Variant of module.

Name and address of the manufacturer : Boer Speeltoestellen
Hyacinthstraat 2
4255 HX Nieuwendijk

Name and address of the certificate holder : Boer Speeltoestellen
Hyacinthstraat 2
4255 HX Nieuwendijk

Certificate issued on the basis of the following requirements : Warenwetbesluit Attractie- en Speeltoestellen, NEN-EN 1176-1:2008, NEN-EN 1176-2:2008, NEN-EN 1176-3:2008

Test laboratory : None

Date and number of the laboratory report : None

Date of type-examination : 11 november 2010 till 9 february 2011

Annexes with this certificate : Report belonging to the type-examination certificate nr.: 100319321

Additional remarks : This certificate is only valid when the used modules are combined as written in the designrules Pionier Playchain

Conclusion : The playground equipment meets the requirements of the above specified European standard(s) and "Warenwetbesluit Attractie- en Speeltoestellen" taking into account any additional remarks mentioned above.

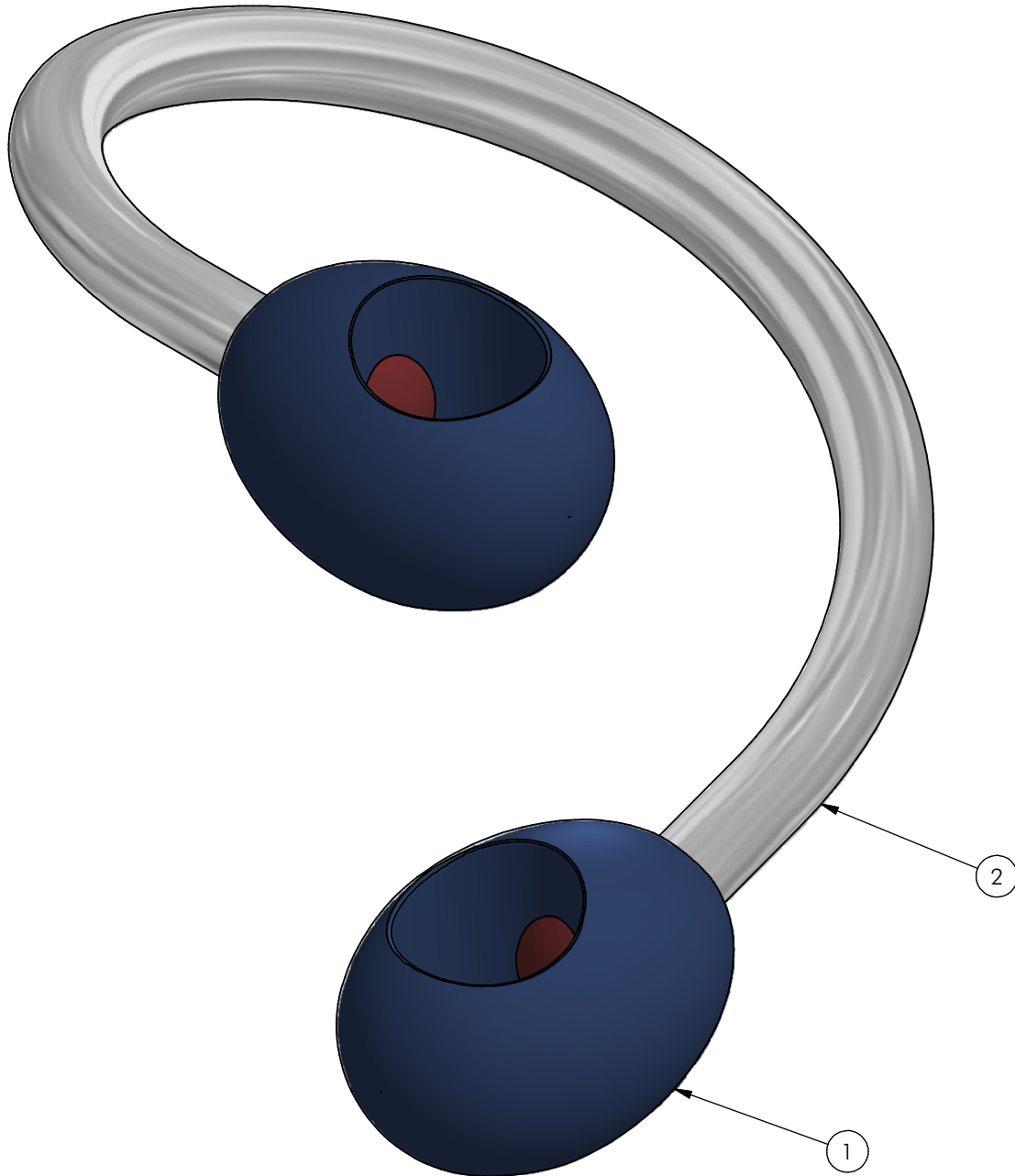


Issued in Amsterdam
Date of issue : 14 February 2011

Ir. V.M.A. Barendregt
LIFTINSTITUUT B.V.
Senior Officer Certification
& Technology



Drs. B. Mulder
LIFTINSTITUUT B.V.
Director Certification &
Inspection International



2	1	OME	PNR	018	320	B	Wokkelbuis	Wokkel
1	2	SMD	PNR	005	000		Submodule	EI 05
POS	N	TYPE	PROJ.	NR.	BEH.	R	BENAMING	OPMERKING



Benaming
Title | Wokkel

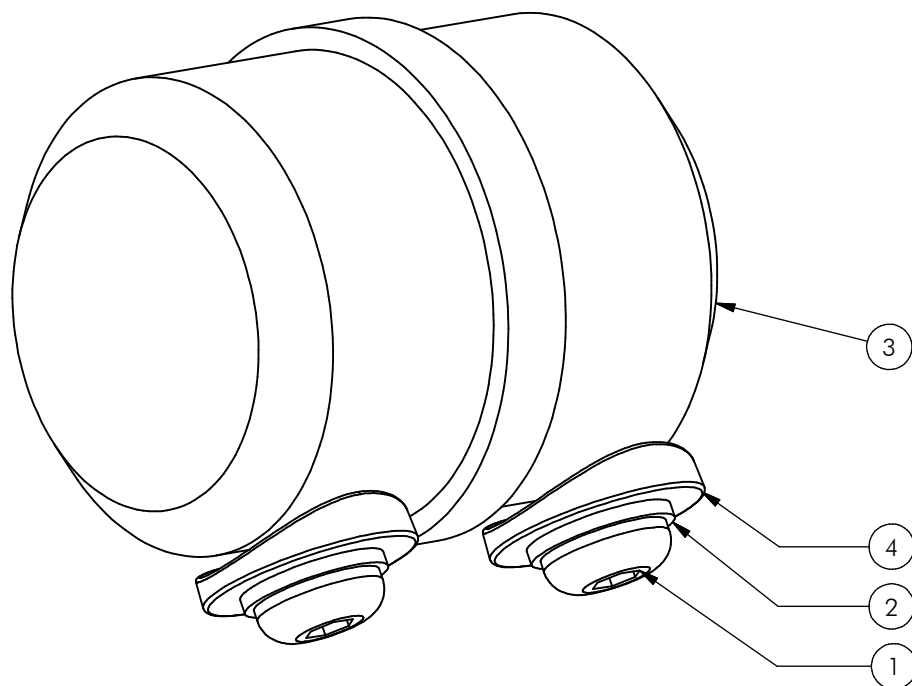
Opmerking
Comment | Enkel

Datum
Date | 9-1-2009

Tekening
Drawing

MOD PNR 325 000

Samenstelling module *Assembly module*



4	2	KST	T60	015	030	A	Zadelring	Buis 60, 15x30
3	1	KST	PNR	032	POM	A	Koppeling	Speelbuis
2	2	BSR	030	010	002		SLUITRING	M10
1	2	BSR	023	010	030		BOLKOP SCHROEF	ISO 7380 - M10 x 30
POS	N	TYPE	PROJ.	NR.	BEH.	R	BENAMING	OPMERKING



Benaming
Title Koppelstuk

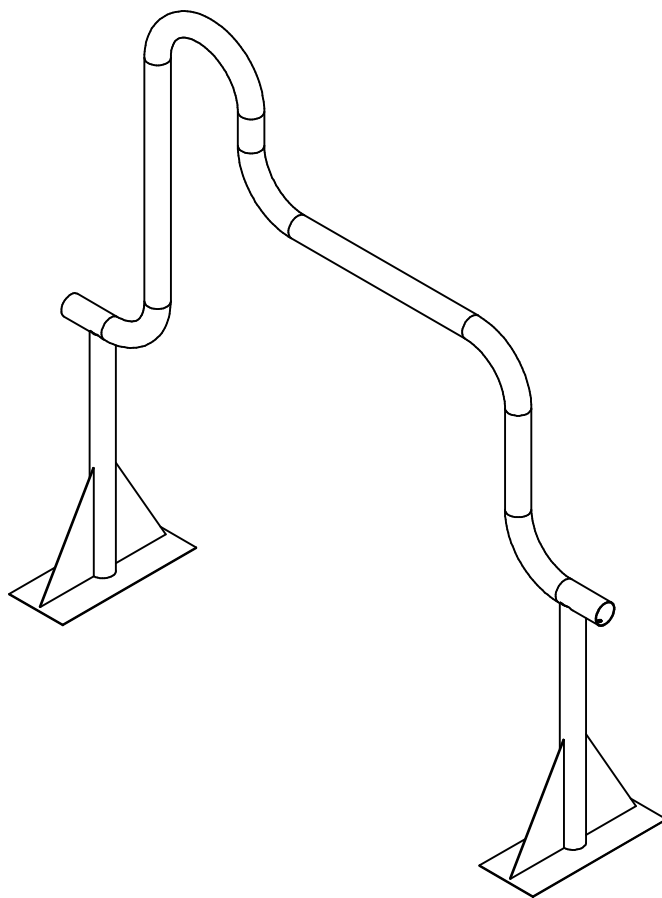
Opmerking
Comment Speelbuis

Datum
Date 20-8-2010

Tekening
Drawing

MOD PNR 530 000

Samenstelling module Assembly module



1	1	SME	PNR	351	320	A	basisstuk	Speelbuis
POS	N	TYPE	PROJ.	NR.	BEH.	R	BENAMING	OPMERKING



Benaming
Title Basisstuk

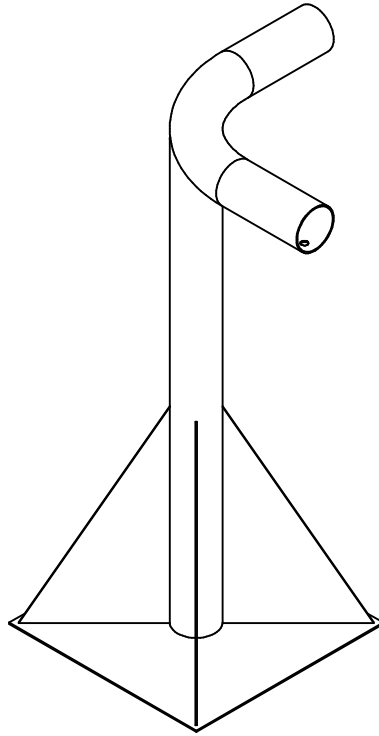
Opmerking
Comment Speelbuis

Datum
Date 22-9-2011

Tekening
Drawing

MOD PNR 531 000

Samenstelling module *Assembly module*



1	1	SME	PNR	356	320	A	Bochtstuk	Speelbuis
POS	N	TYPE	PROJ.	NR.	BEH.	R	BENAMING	OPMERKING



Benaming
Title | Hoekstuk _____

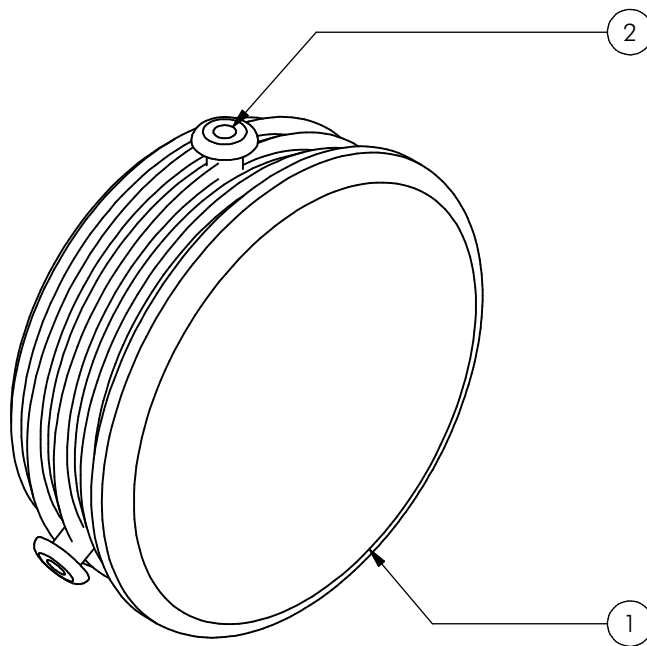
Opmerking
Comment | Speelbuis _____

Datum
Date | 22-9-2011 _____

Tekening
Drawing

MOD PNR 533 000

Samenstelling module Assembly module



POS	N	TYPE	PROJ.	NR.	BEH.	R	BENAMING	OPMERKING
1	1	KST	LAM	070	005		Lamellenstop	buis 70 x 2-4.5
2	3	BSR	014	005	050		Klinknagel bolkop	4,8 x 12 - RVS A2-70



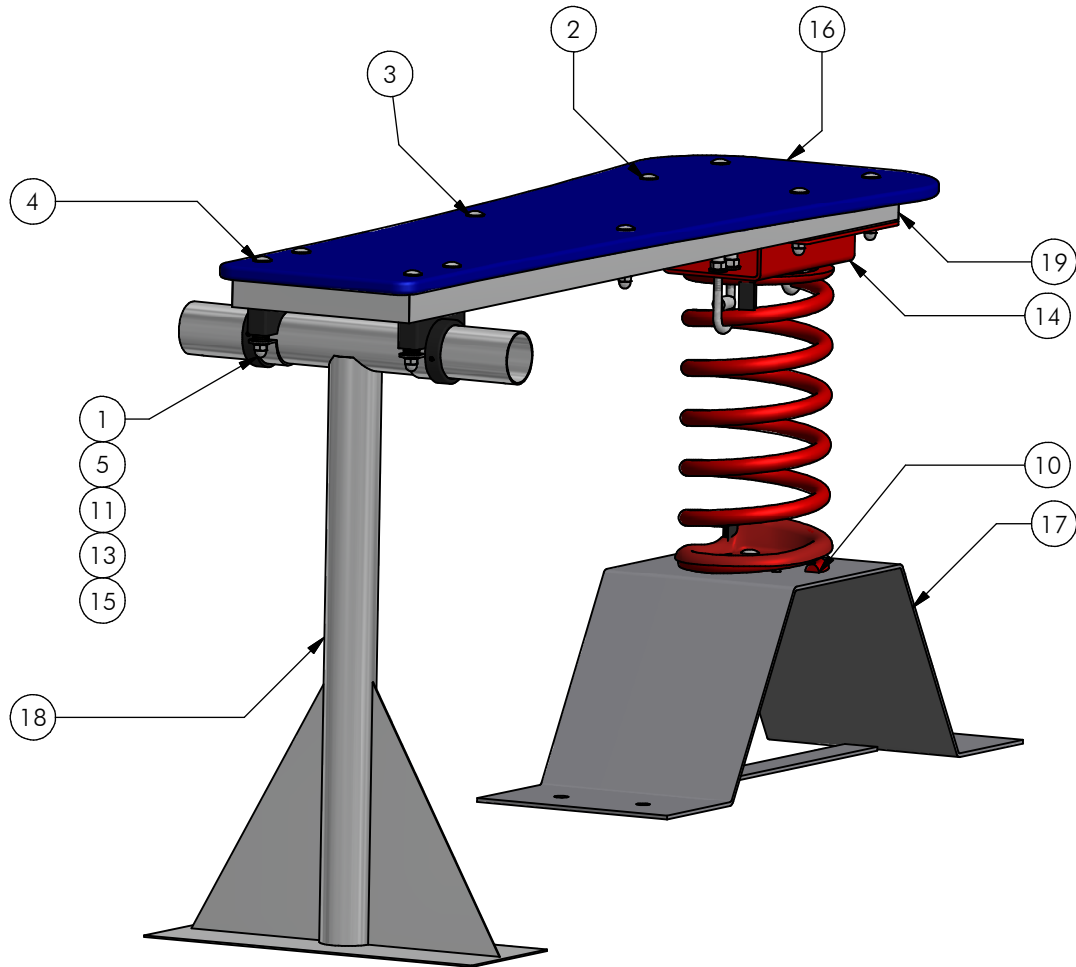
Benaming
Title Eindhop

Opmerking
Comment buis 70

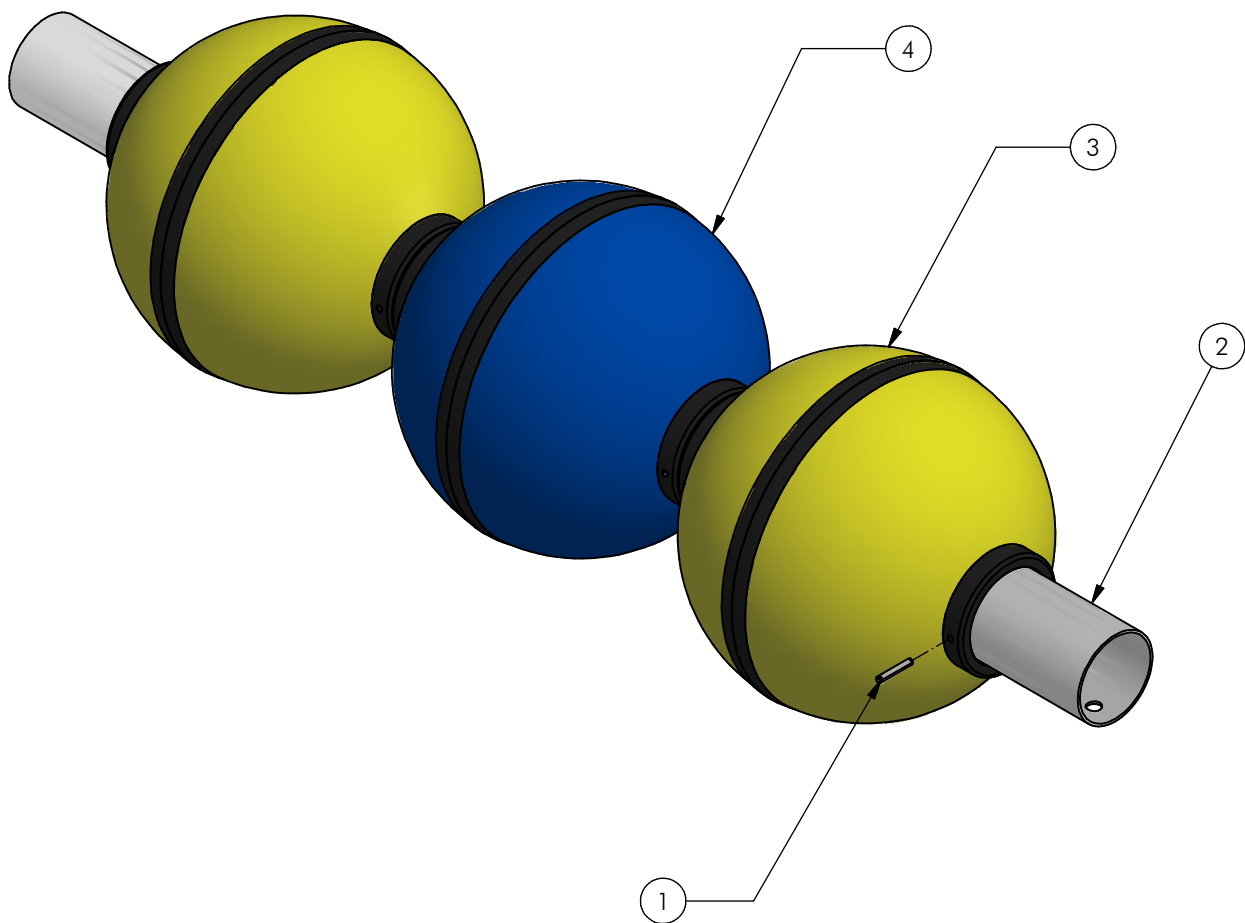
Datum
Date 11-12-2013

Tekening
Drawing

MOD PNR 537 000 A
Samenstelling module Assembly module



Nr	#	Type	Progr.	Volgnr	Bew.	Rev.	Benaming	Opmerking
1	10	BSR	011	010	020		DOPMOER	BORG RVS M10
2	4	BSR	026	010	080		Slotbout	M10 x 80 - RVS A2-70
3	2	BSR	026	010	070		Slotbout	M10 x 70 - RVS A2-70
4	4	BSR	026	010	120		Slotbout	M10 x 120 - RVS A2-70
5	10	BSR	030	010	002		SLUITRING	M10
6	4	BSR	047	005	030		Spiraalbus	5 x 30 - RVS A2-70
7	3	BSV	010	010	010		Borgmoer	M10 - VZ 8.8
8	3	BSV	026	010	035		SLOTBOUT	M10x35
9	3	BSV	030	010	002		SLUITRING	M10 VZ
10	1	DRD	ELB	020	004		Veer 40 cm	Schotel en U-bouten
11	2	KST	PNR	030	POM	A	lagerblok	lagering speelbuis
12	2	KST	PNR	031	POM	A	Borgring	Speelbuis
13	12	KST	ROR	010	000		RING NYLON	M10 x 2.5 MM
14	1	OME	MNP	068	320		bevestigingsplaat	veerwip veer
15	2	OME	OMB	070	RVS		Omega Beugel	buis 70
16	1	OPE	SOL	068	051	D	Springplank	Speelbuis
17	1	SME	MNP	016	372		grondanker	veerwip
18	1	SME	PNR	366	320		Poot springplank	Speelbuis
19	1	SME	PNR	395	320		Frame	Springplank



4	1	SMD	PNR	031	000	Bol blauw	Speelbuis	
3	2	SMD	PNR	030	000	Bol geel	Speelbuis	
2	1	OME	PNR	368	320	lang recht stuk	Speelbuis	
1	12	BSR	047	005	030	SPIRAALBUS	5 x 30	
POS	N	TYPE	PROJ.	NR.	BEH.	R	BENAMING	OPMERKING



Benaming
Title | Spielbollen x3

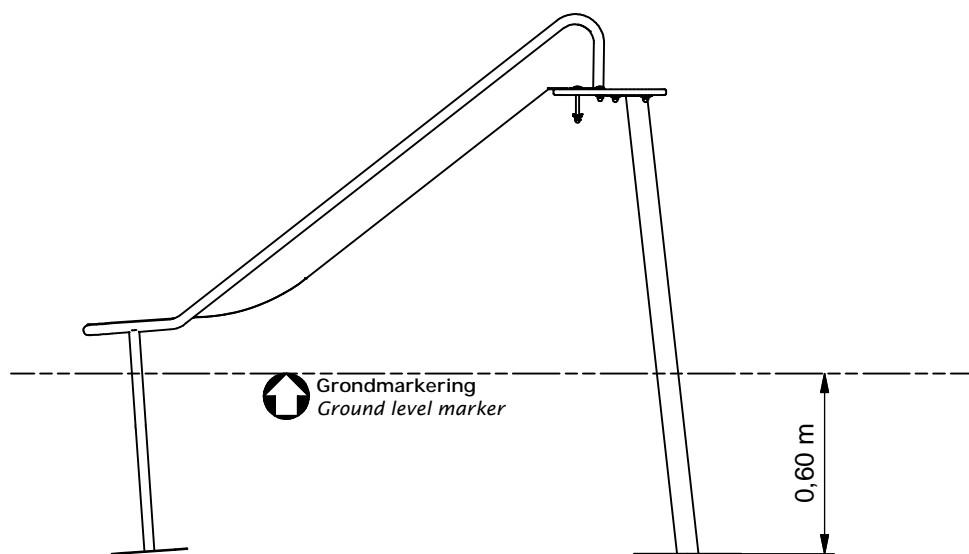
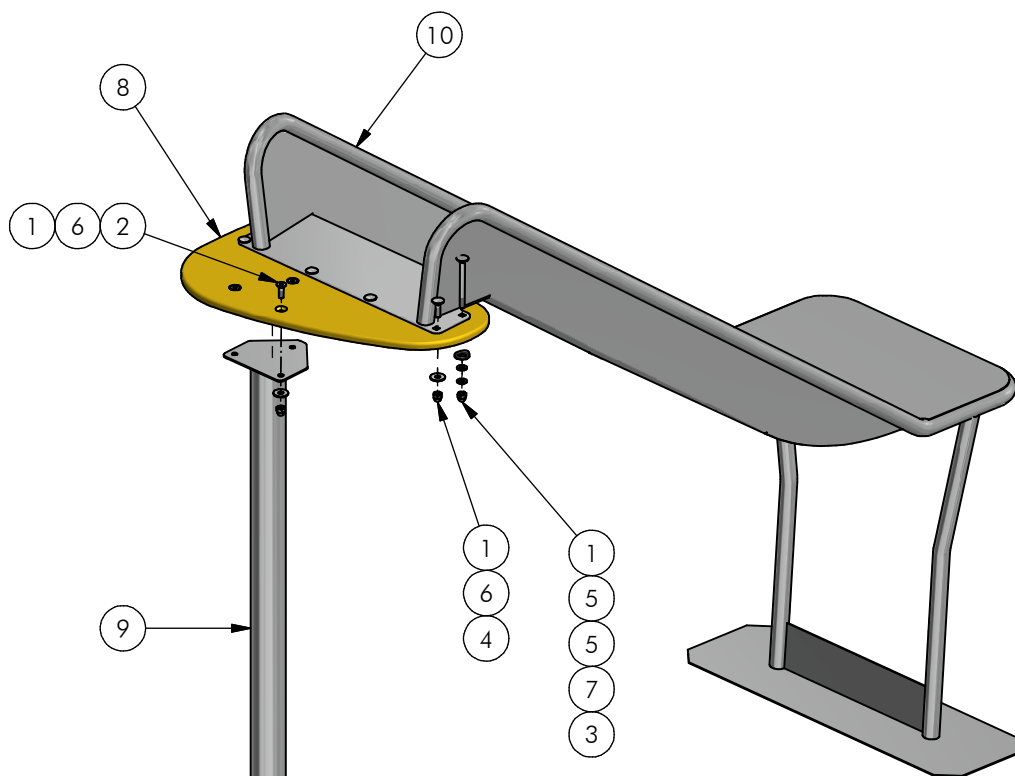
Opmerking
Comment | Spielbuis

Datum
Date | 20-8-2010

Tekening
Drawing

MOD PNR 543 003

Samenstelling module *Assembly module*



POS	N	TYPE	PROJ.	NR.	BEH.	R	BENAMING	OPMERKING
1	9	BSR	011	010	020		DOPMOER	BORG RVS M10
2	3	BSR	024	010	030		Verzonken bout	M10 x 30 - RVS A2-70
3	2	BSR	026	010	110		Slotbout	M10 x 110 - RVS A2-70
4	4	BSR	026	010	035		Slotbout	M10 x 35 - RVS A2-70
5	4	BSR	030	010	002		SLUITRING	M10
6	7	BSR	035	010	030		CARROSSERIERING	M10 x 30 x 2,5
7	2	KST	T60	015	030	A	Zadelring	Buis 60, 15x30
8	1	OPE	PNR	030	010	A	Startplatform	Glijbaan Speelbuis
9	1	SME	PNR	350	320		trap buis	glijbaan speelbuis
10	1	SME	VRB	611	320	B	Glijbaan	93 cm



Benaming
Title Glijbaan 93 cm

Opmerking
Comment Module PNR

Datum
Date 28-10-2013

Tekening
Drawing

MOD PNR 546 000 A
 Samenstelling module Assembly module