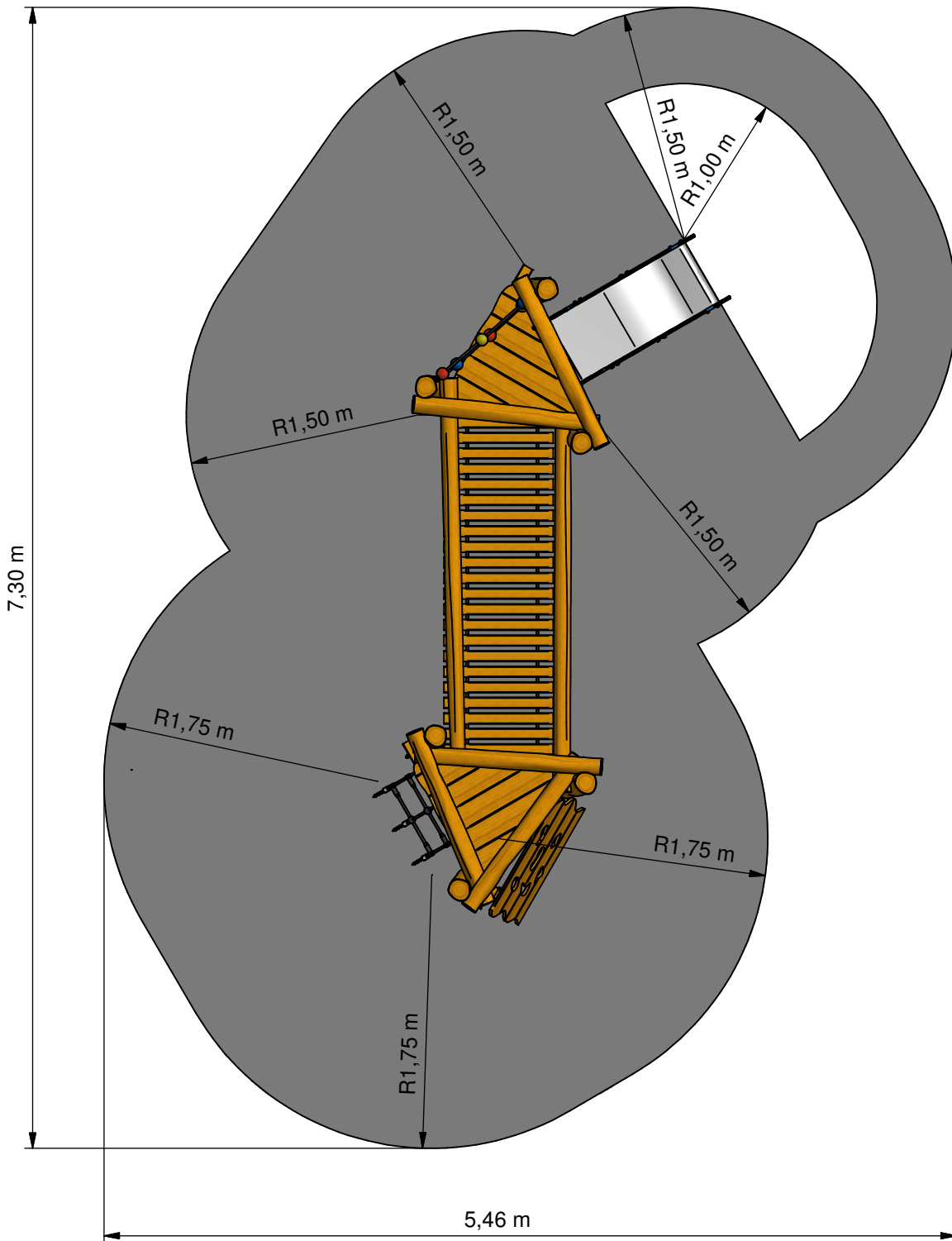




Play towers



PSTE120.002



- Opvangzone
Impact area
- Obstakelvrije zone
Obstacle free zone



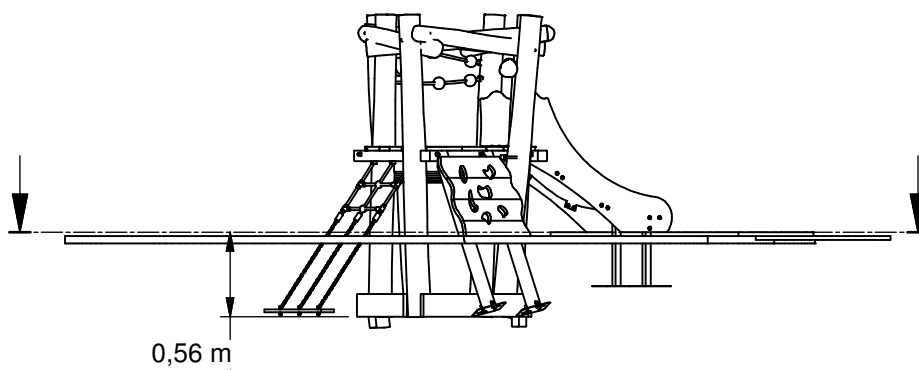
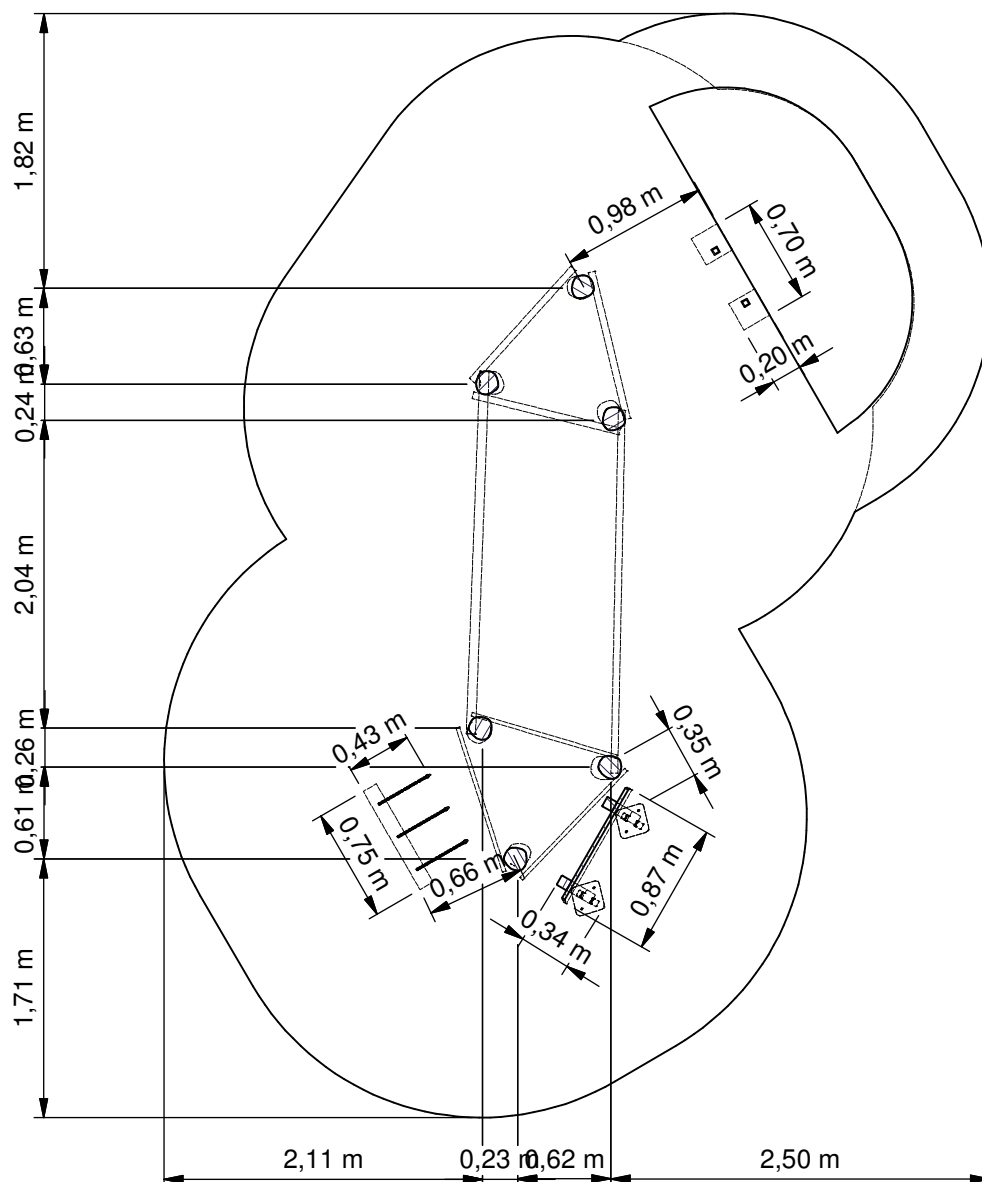
Benaming
Title Speeltorentjes

Opmerking
Comment Adventure Play

Datum
Date 6-9-2012

Tekening
Drawing

TOE PST 120 002 B
Obstakelvrije zone *Obstacle free zone*



Benaming
Title Speeltorentjes

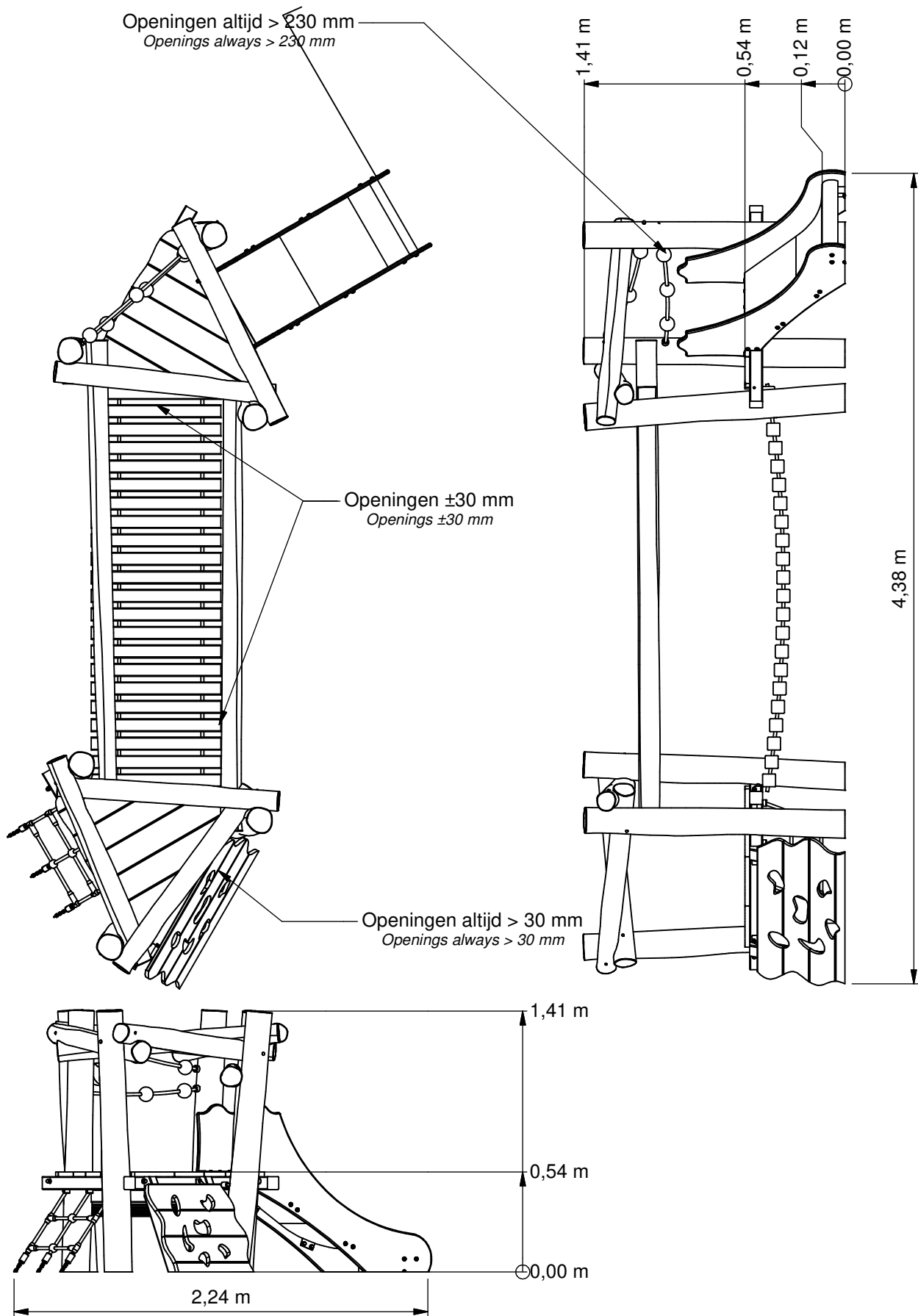
Opmerking
Comment Adventure Play

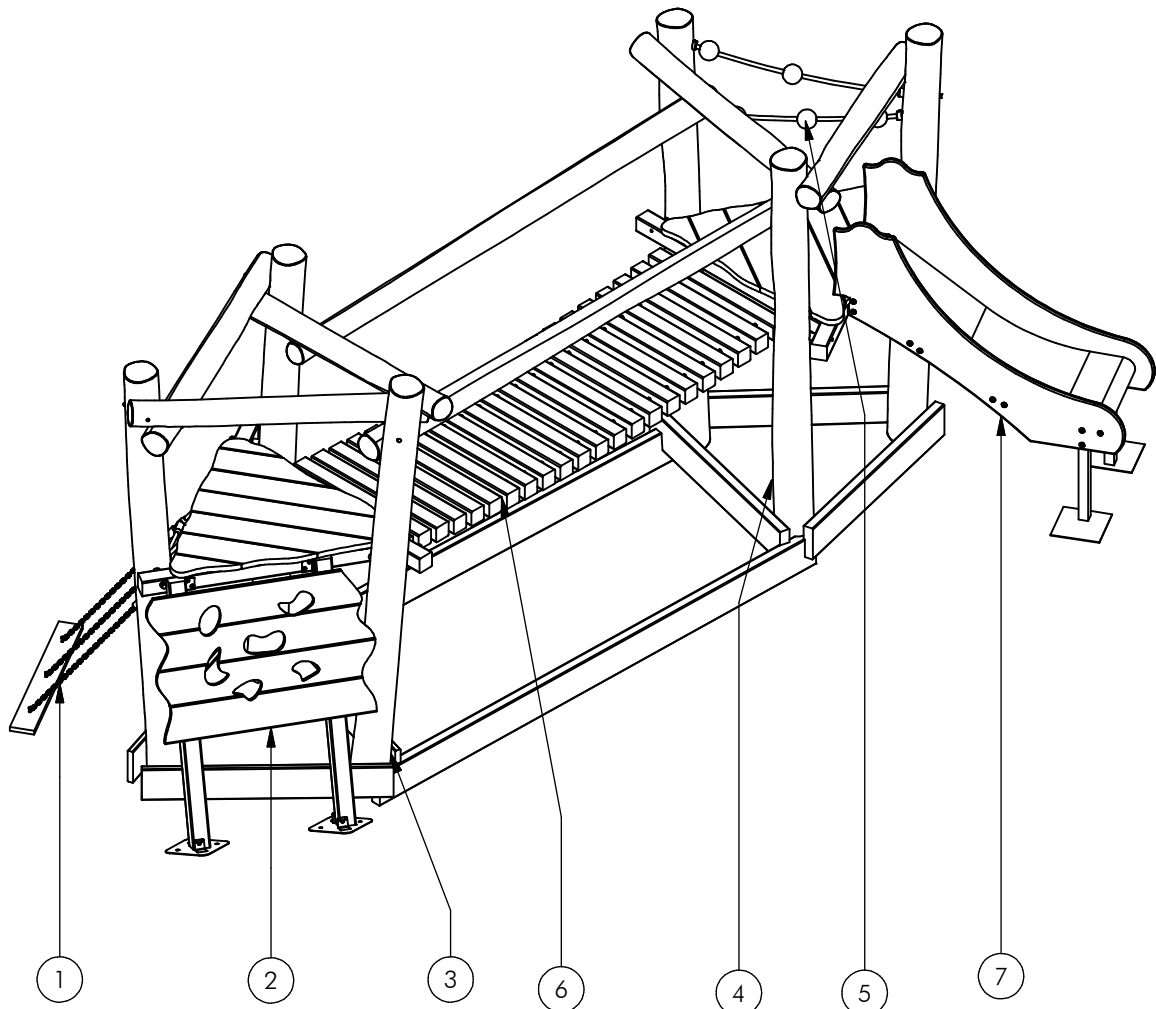
Datum
Date 6-9-2012

Tekening
Drawing

TOE PST 120 002 B

Bodemplan *Groundplan*





Nr	#	Type	Progr.	Volgnr	Bew.	Rev.	Benaming	Opmerking
1	1	MOD	PST	021	021		Oploopnet 0,5m	Adventure Play
2	1	MOD	PST	028	007	A	Klimwand 0,5m	Adventure Play
3	1	MOD	PST	036	004	B	Speeltoren klein	Adventure Play
4	1	MOD	PST	036	006		Speeltoren klein	Adventure Play
5	1	MOD	PST	038	011		Telbollen	Adventure Play
6	1	MOD	PST	039	005	B	Wiebelbrug	L 1,8 m
7	1	MOD	UKP	HHT	152	A	GLIJBAAN	UKKEPUK



Benaming
Title Speeltorentjes

Opmerking
Comment Adventure Play

Datum
Date 6-9-2012

Tekening
Drawing

TOE PST 120 002 B

Modules Modules

Geleverde delen:

- A - 1x Toren met touwen en klimnet 2,0 x 1,4 x 1,4 m [143 kg]
- B - 1x Toren 2,0 x 1,4 x 1,4 m [136 kg]
- C - 2x Paal 2,4 x Ø 0,2 m [26 kg]
- D - 2x Plank 2,4 m [6 kg]
- E - 1x Klimwand 1,1 x 0,9 x 0,1 m [18 kg]
- F - 1x Glijbaan 1,7 x 0,6 x 0,5 m [38 kg]
- G - 1x Brug 0,7 x 0,7 x 0,6 m [48 kg]

Bevestiging sets:

- 4x M12 Verbindingsset tbv Palen C
- 4x Verbindingsset tbv Planken,
- 4x M10 Verbindingsset tbv Glijbaan
- 2x Verbindingsset tbv Klimwand
- 6x Verbindingsset tbv Touwen / Brug

Montagevolgorde:

- 1 - graaf de gaten volgens het bodemplan
- 2 - Positioneer toren A & B in de gaten en monteer palen C en planken D.
- 3 - Monteer klimwand E aan toren A en monteer glijbaan F aan toren B
- 4 - Installeer brug G tussen toren A en toren B en bevestig de touwen van toren A in toren B
- 5 - dicht de gaten en druk deze stevig aan!

Controles:

- 1 - correcte opbouw en gebruik van alle bevestigingsmiddelen
- 2 - het klimnet goed gespannen
- 3 - controleer de afmetingen van de valbodem t.o.v. het toestel

Supplied parts:

- A - 1x Tower with ropes and climbingnet 2,0 x 1,4 x 1,4 m [143 kg]
- B - 1x Tower 2,0 x 1,4 x 1,4 m [136 kg]
- C - 2x Posts 2,4 x Ø 0,2 m [26 kg]
- D - 2x Planks 2,4 m [6 kg]
- E - 1x Climbingwall 1,1 x 0,9 x 0,1 m [18 kg]
- F - 1x Slide 1,7 x 0,6 x 0,5 m [38 kg]
- G - 1x Bridge 0,7 x 0,7 x 0,6 m [48 kg]

Mounting kits:

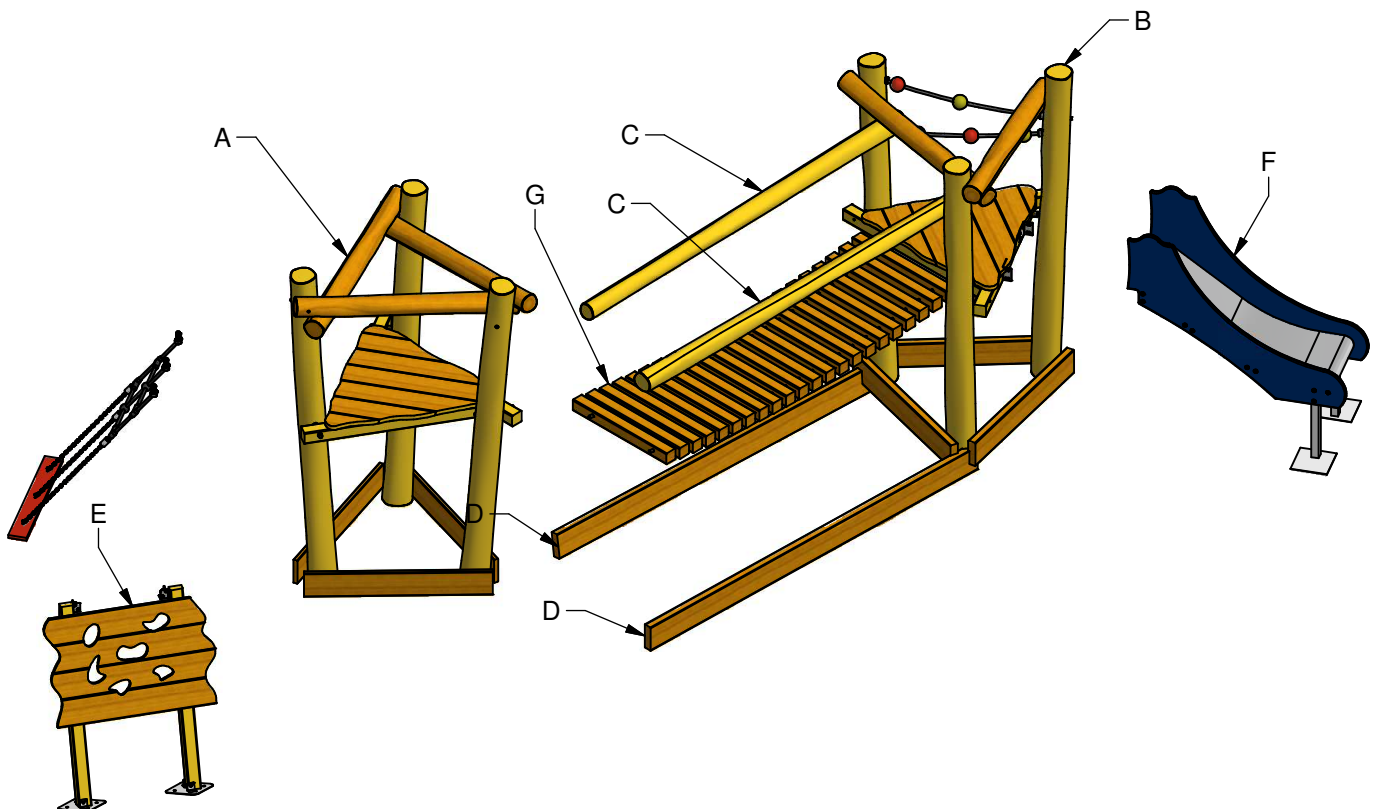
- 4x M12 connectionset serving Poles C
- 4x Connectionset serving Planks,
- 4x M10 connection set serving Slide
- 2x Connection set serving Climbing Wall
- 6x Connection set serving Ropes / Bridge

Assembly sequence:

- 1 - dig the holes according to the ground plan
- 2 - Position tower A and tower B in the hole and mount posts C and planks D
- 3 - Mount climbingwall E to tower A and mount slide F to tower B
- 4 - Install bridge G between tower A and tower B, also attach the ropes from tower A to tower B.
- 5 - close the holes and press down firmly!

Checks:

- 1 - correct assembly and use of all fasteners
- 2 - climbingnet properly stretched
- 3 - check the dimensions of the safety area compared to the play equipment



PSTE120.002

Play towers

LOGBOOK

(Onderstaand logboek kan gebruikt worden om te voldoen aan de eisen, gesteld in artikel 14 van het Warenwetbesluit Attractie- en Speeltoestellen)

Type indication	Adventure Play
Product code	PSTE120.002
Name of equipment	Speeltorentjes Adventure Play
Maximum height of fall	0,5 m
Year of construction	2017
Certificate	032712
inspection authority	TUV Nederland QA BV De Waal 21c, Best - 5684 PH Best
Name manufacturer	BOERplay Hyacintstraat 2 - 4255 HX Nieuwendijk Phone: +31 (0)183 40 23 66 Fax: +31 (0)183 40 35 64
name installer	_____ _____
Description of equipment	Play towers
Location of equipment	_____
Data about the owner of the play equipment	
Name:	_____
Address:	_____
Postcode and town:	_____
Contact person:	_____
Telephone number:	_____
Data about the administrator of the play equipment	
Name:	_____
Address:	_____
Postcode and town:	_____
Contact person:	_____
Telephone number:	_____

LOGBOOK

Inspection and maintenance intervals



Nr.	Inspection	Maintenance	months between inspections
1	Verify equipment's stability, junctions and missing parts. Inspect bolts, screws and nuts for absence, jams, corrosion and wear.	Add missing parts, secure joints, apply missing fixing agent and replace corroded parts.	1
2	Check suspension for wear.	Replace worn parts and/or remove non-functioning parts.	1
3	Inspect rotating parts such as hinges, rolling-element bearings, etc. for wear and acceptability.	Replace worn parts and/or remove non-functioning parts.	1
4	Check wood for splinters, unacceptable damage and signs of rot. Especially at ground level.	Repair damage. Replace affected wood. Smoothen splintered wood and sharp edges.	1
5	Inspect foundation for stability, tearing and coverage.	Restore foundation and covering material.	3
6	Examine rubber and synthetic parts for wear, damage and break.	Replace original parts.	3
7	Inspect metal for corrosion and damage in the coating.	Restore any damaged coating (after removing rust and applying primer).	6
8	Check ropes, cables, chains and nets for wear and damage. Steel cables and nets which are tensioned must be checked for tension.	Replace parts where necessary. Steel cables and nets must be tensioned.	3
9	Inspect equipment for unsafe changes and additions.	Remove unsafe additions and correct unsafe changes.	1
10	Inspect safety surfaces.	Restore and repair where necessary.	1

Remarks

1. If used intensively, all points require extra attention.
2. Extreme weather conditions and locations may require a higher inspection frequency. Discuss this with the supplier.
3. Vandalism-sensitive locations require stricter inspections, possibly daily.
4. Check the terrain regularly for items that do not belong there, are unsafe or may be used wrongly. Examples are poisonous plants, glass shards, etc. Frequency depends on strain.
5. Remember that bad maintenance leads to unsafe conditions and notably faster impoverishment of the playground area.
6. Replacement parts can be ordered at the manufacturer with the part numbers on the module drawing. Drawings can be found in de user guide.
7. The impact area shall be provided with impact attenuating surface according to the specified falling height.
8. This list is conform the CEN-standard "playground equipment and surfacing NEN-EN 1176-7".

Warenwet

Certificaat van Typeonderzoek Type Examination Certificate

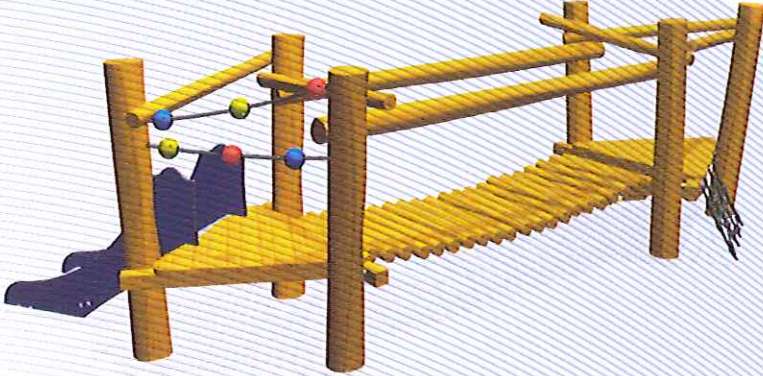
afgegeven door issued by

TÜV Nederland QA BV



aangewezen bij ministeriële beschikking van
4 mei 2012, nr. VGP 3113590

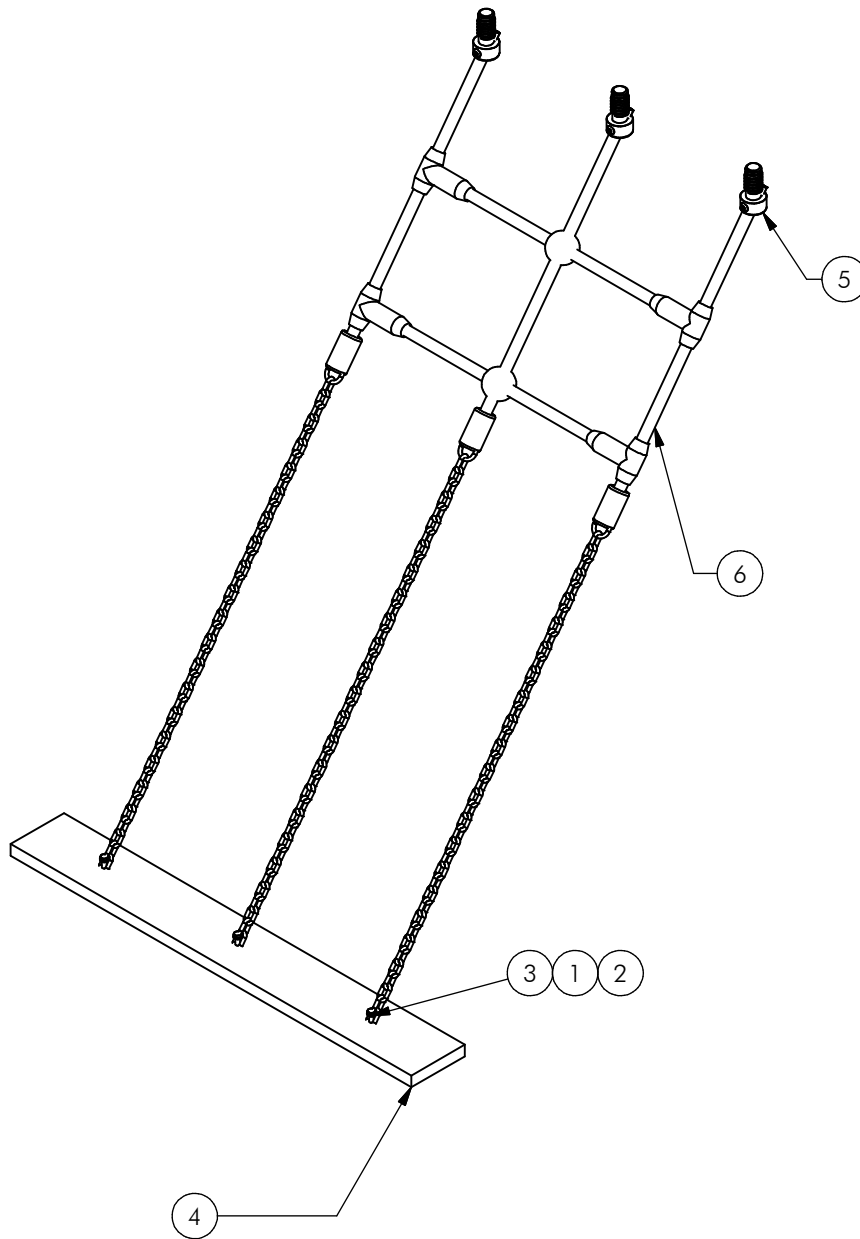
commissioned by departmental order
of 4 May 2012, no. VGP 3113590

Certificaat nr. Certificate nr.	032712TG_20130507	Dossiernr. File nr.	032712TG
Productomschrijving Product description	Speeltorentjes		
Evt. nadere aanduidingen Further indications	Adventure Play		
voor nadere informatie zie bijbehorend rapport met gelijkloidend dossiernr. for further information see associated report with identical file nr.			
Eigenaar / certificaathouder en adres Owner/certificate holder and address	Boer Speeltoestellen B.V. Hyacintstraat 2 4255 HX Nieuwendijk		
Soort toestel Category of equipment	Speeltoestel / Playground equipment		
Fabrikant Manufacturer	Boer Speeltoestellen B.V. Hyacintstraat 2 4255 HX Nieuwendijk		
Type/Serienummer Type/Serial number	PST.120.002 /		in te vullen door de fabrikant to be filled out by the manufacturer
Jaar van fabricage Year of construction	vanaf 2013 since		
Leverancier Supplier	Boer Speeltoestellen B.V. Hyacintstraat 2 4255 HX Nieuwendijk		
Jaar van leverantie Year of supply	in te vullen door de leverancier to be filled out by the supplier		
Datum keuring Date of examination	29-03-2013 – 07-05-2013		

TÜV Nederland QA BV, de Waal 21C, NL-5684 PH Best verklaart, dat het bovenaangehaalde toestel voldoet aan de vervaardigingvoorschriften genoemd in het Warenwetbesluit attractie- en speeltoestellen (met als leidraad de normatieve documenten NEN-EN 1176:2008).

TÜV Nederland QA BV declares that the here above mentioned equipment meets the safety and health requirements mentioned in the Dutch law "Warenwetbesluit attractie- en speeltoestellen" (guided by normative documents EN 1176:2008).

Namens het bestuur, For the board, A.C. Boon Directeur	
---	--



Nr	#	Type	Progr.	Volgnr	Bew.	Rev.	Benaming	Opmerking
1	3	BSV	017	006	005		Zeskantmoer	M6 - VZ 8.8
2	3	BSV	021	006	050		Zeskantbout ISO 4014	M6 x 50 - VZ 8.8
3	6	BSV	030	006	002		Sluitring	M6 - VZ 8.8
4	1	KST	APL	075			Ankerplaat	750x100x19
5	3	SMD	BUS	002	RVS		Bus + VZ schroef	Touw 16 mm
6	1	SNT	PST	016	119		OPLOOPNET 600	Adventure Play

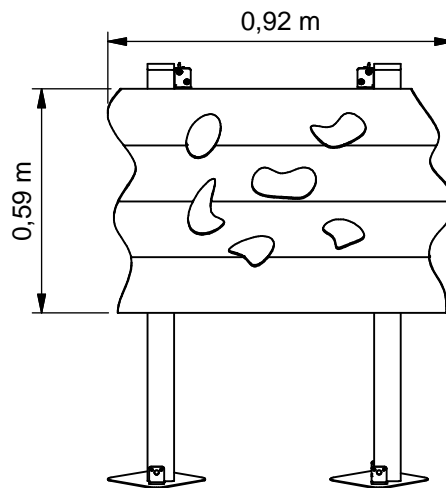
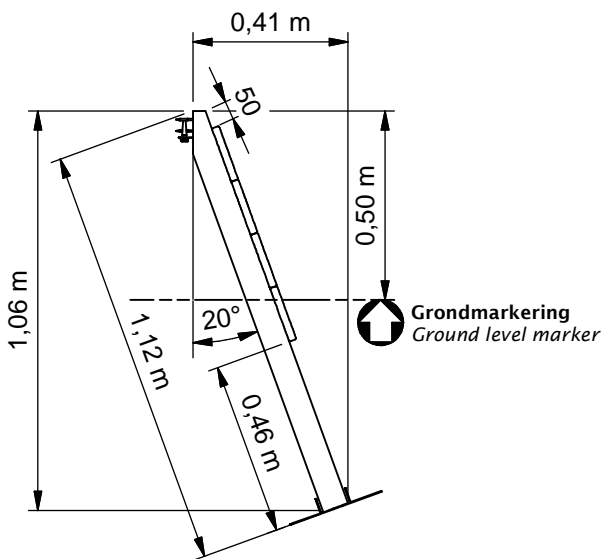
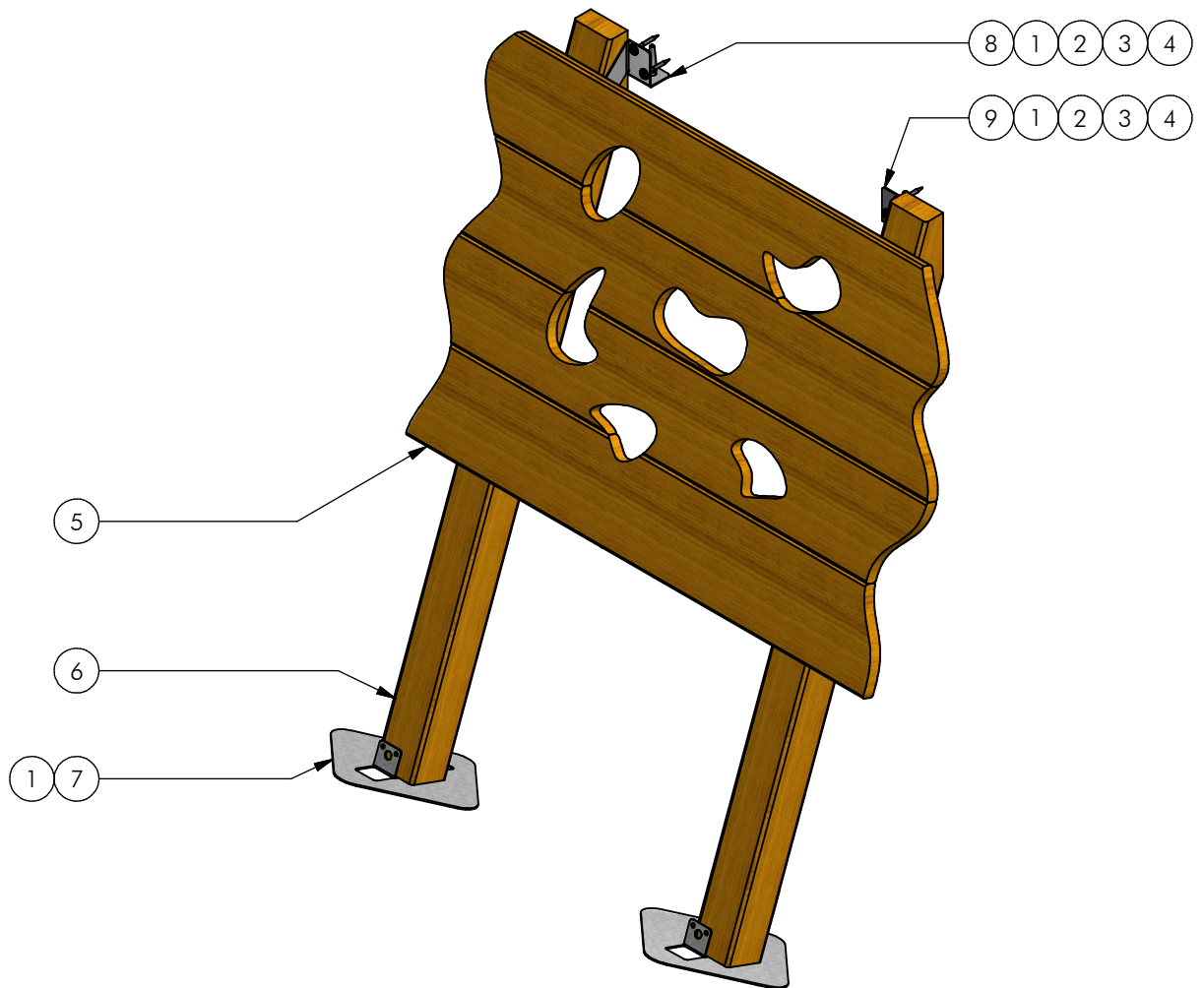


Benaming / Title: Oploopnet 0,5m
 Opmerking / Comment: Adventure Play
 Datum / Date: 20-1-2015

Tekening / Drawing

MOD PST 021 021

Samenstelling module *Assembly module*



Gaten aftekenen met klimgreep

Let op: maximale gat grootte:

□ 8 x 14 cm of Ø 12 cm

Nr	#	Type	Progr.	Volgnr	Bew.	Rev.	Benaming	Opmerking
1	4	BSR	002	005	050		Schroef Assy	5 x 50 - RVS A2-70
2	4	BSR	022	010	050		Houtdraadbout	RVS A2 M10 X 50
3	4	BSR	030	010	002		Sluitring	M10 - RVS A2-70
4	4	BSR	036	005	015		Facet ring	M5 - RVS A2-70
5	4	OHO	PST	212	120		Plank 150x20	Lengte = 1200
6	2	OHO	PST	307	039		Paal L= 1120	70x70 Robinia
7	2	OME	UKP	615	VZP	A	Voetplaat	Ukkepuk
8	1	OME	VRB	830	304		OPLOOP	BEUGEL LINKS
9	1	OME	VRB	831	304		OPLOOP	BEUGEL RECHTS



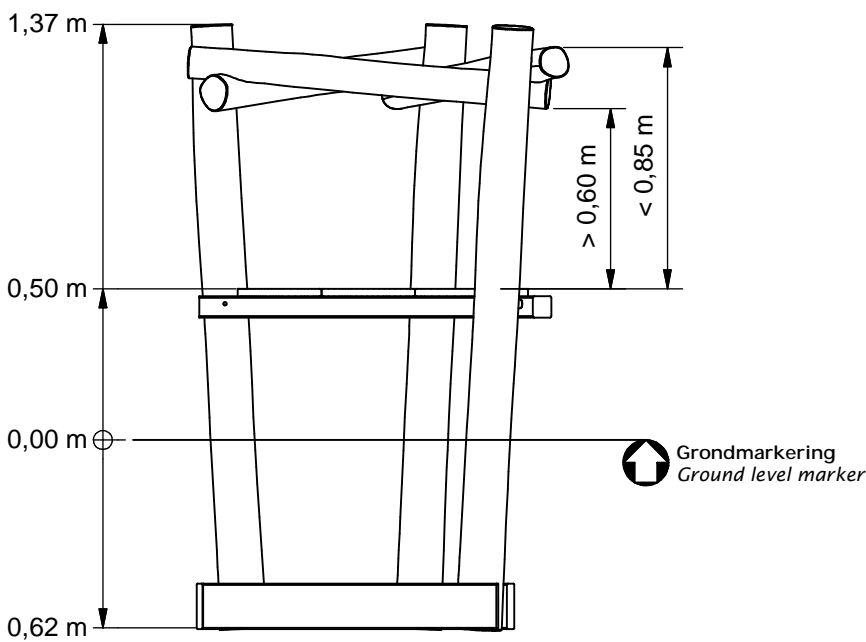
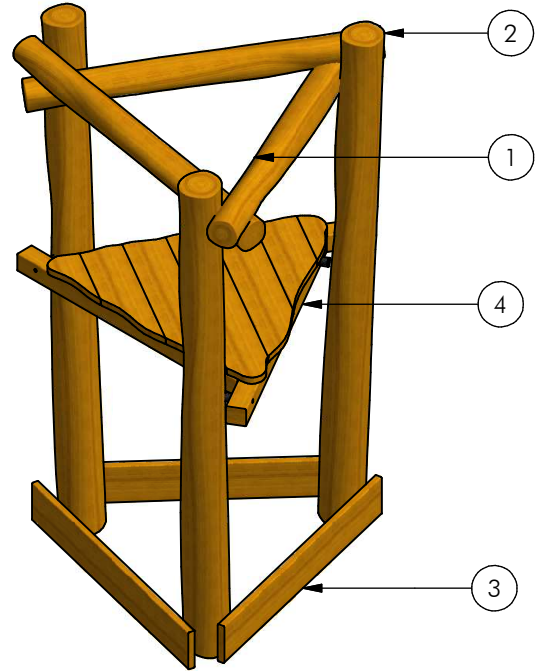
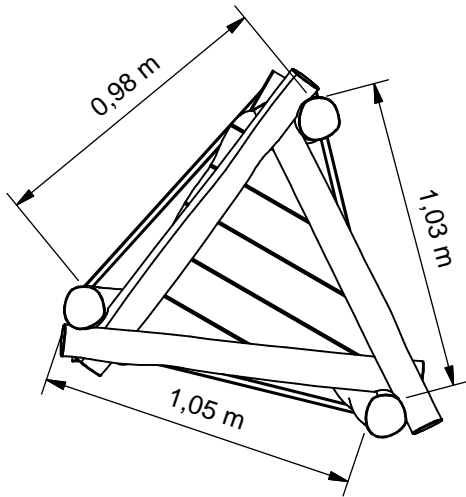
Benaming
Title Klimwand 0,5m

Opmerking
Comment Adventure Play

Datum
Date 19-3-2013

Tekening
Drawing

MOD PST 028 007 A
Samenstelling module Assembly module



Nr	#	Type	Progr.	Volgnr	Bew.	Rev.	Benaming	Opmerking
1	3	OHO	PST	120	012		Paal 10-12	Lengte =1200
2	3	OHO	PST	160	020		Paal 14-16	Lengte =2000
3	3	OHO	PST	222	100		Plank 150x25	Lengte = 1000
4	1	SMD	PST	003	000		Driehoeksvloertje 100	Palenwoud



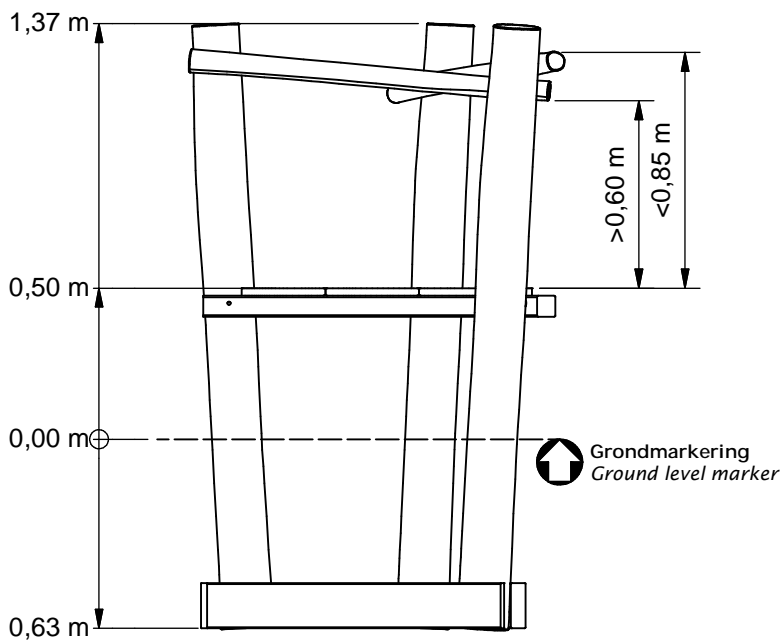
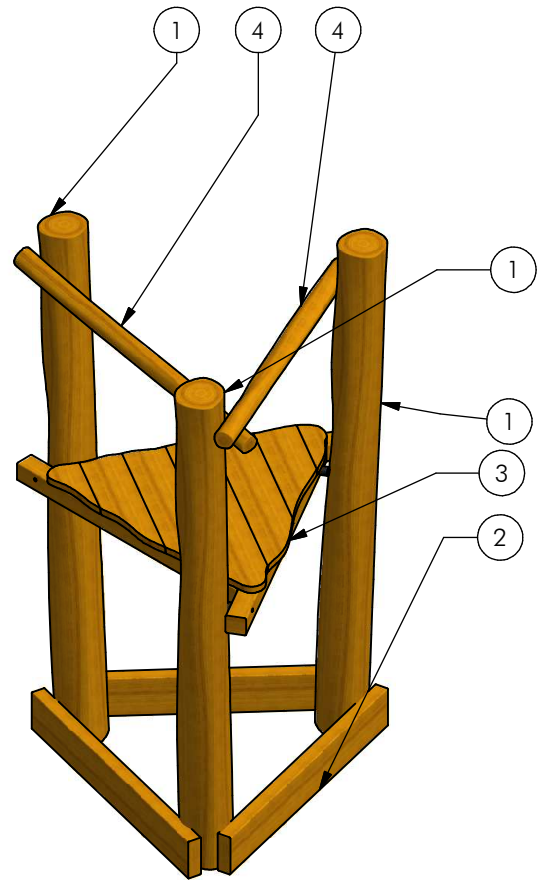
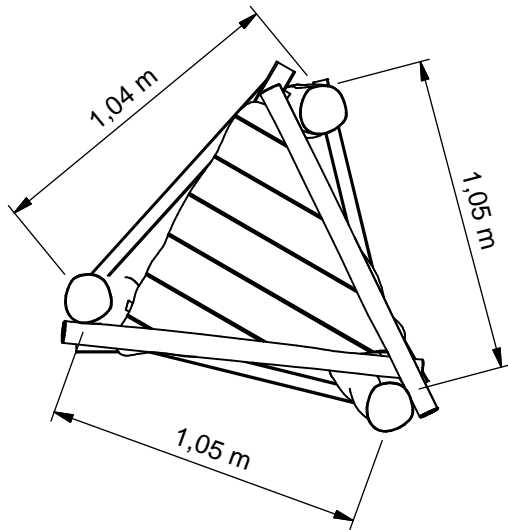
Benaming
Title Speeltoren klein

Opmerking
Comment Adventure Play

Datum
Date 18-3-2014

Tekening
Drawing

MOD PST 036 004 B
 Samenstelling module *Assembly module*



Nr	#	Type	Progr.	Volgnr	Bew.	Rev.	Benaming	Opmerking
1	3	OHO	PST	180	020		Paal 16-18	Lengte =2000
2	3	OHO	PST	240	100		Plank 150x50	Lengte = 1000
3	1	SMD	PST	003	000		Driehoeksvloertje 100	Palenwoud
4	2	OHO	PST	080	012		Paal 6-8	Lengte =1200

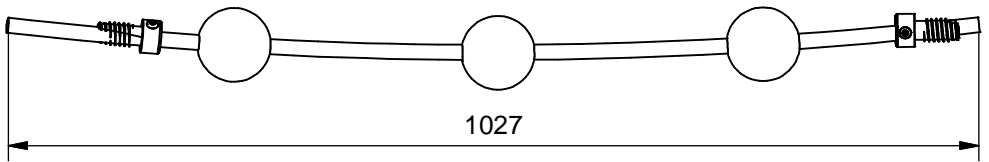
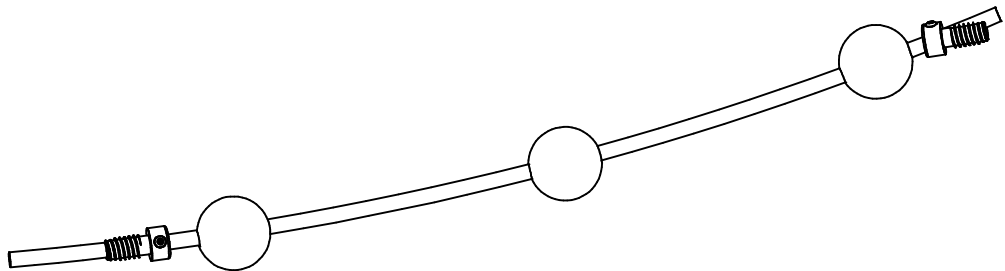
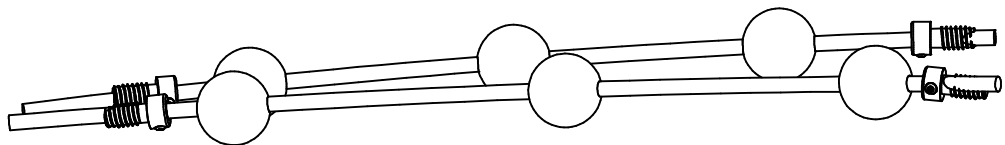
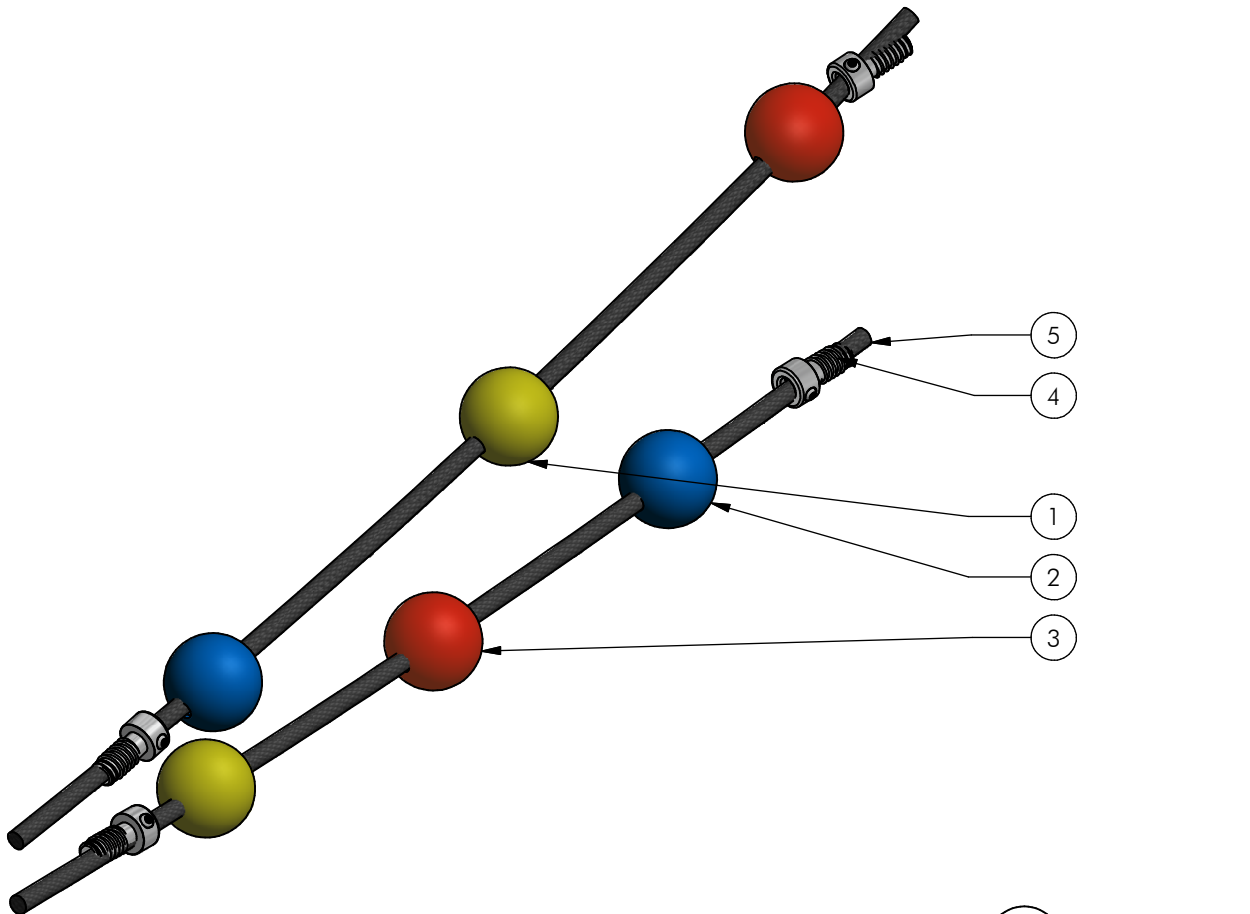


Benaming / Title: Speeltoren klein
 Opmerking / Comment: Adventure Play
 Datum / Date: 18-3-2013

Tekening / Drawing

MOD PST 036 006

Samenstelling module Assembly module



Nr	#	Type	Progr.	Volgnr	Bew.	Rev.	Benaming	Opmerking
1	2	KST	BOL	016	010		Telbol	Geel
2	2	KST	BOL	016	050		Telbol	Blauw
3	2	KST	BOL	016	030		Telbol	Rood
4	4	SMD	BUS	002	RVS		Bus + VZ schroef	Touw 16 mm
5	1	SNT	PST	016	034		Touw tbv Telbollen	2x Ø16 L1100



Benaming
Title | Telbollen

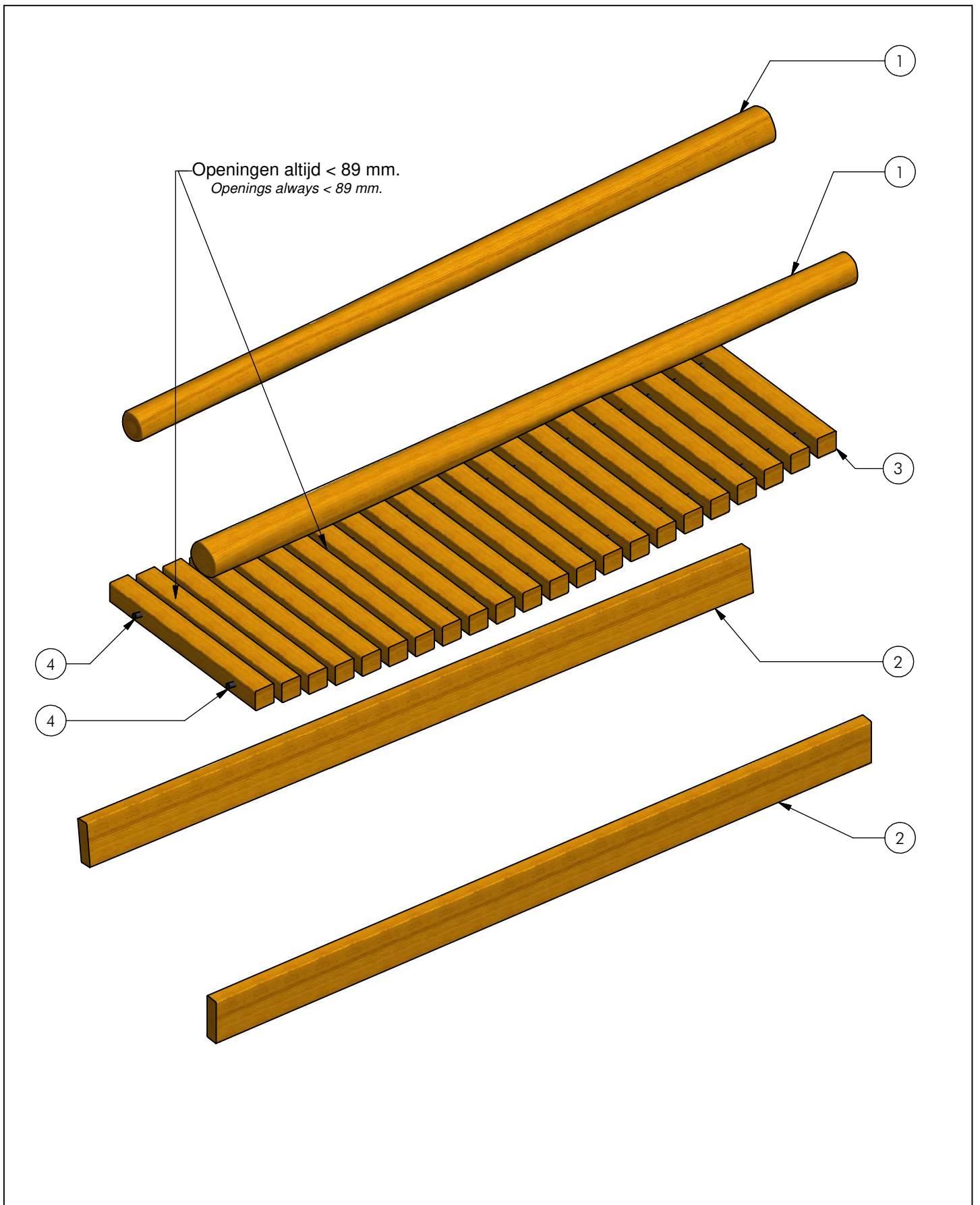
Opmerking
Comment | Adventure Play

Datum
Date | 2-3-2012

Tekening
Drawing

MOD PST 038 011

Samenstelling module *Assembly module*



Nr	#	Type	Progr.	Volgnr	Bew.	Rev.	Benaming	Opmerking
1	2	OHO	PST	120	024		Paal 10-12	Lengte =2400
2	2	OHO	PST	240	240		Standaardplank 145x50	Lengte = 2400
3	22	OHO	PST	307	070		70 mm Vierkante paal	700 mm Lengte
4	2	ONT	PST	016	220		Hercules touw	16mm, zwart, 2,2m



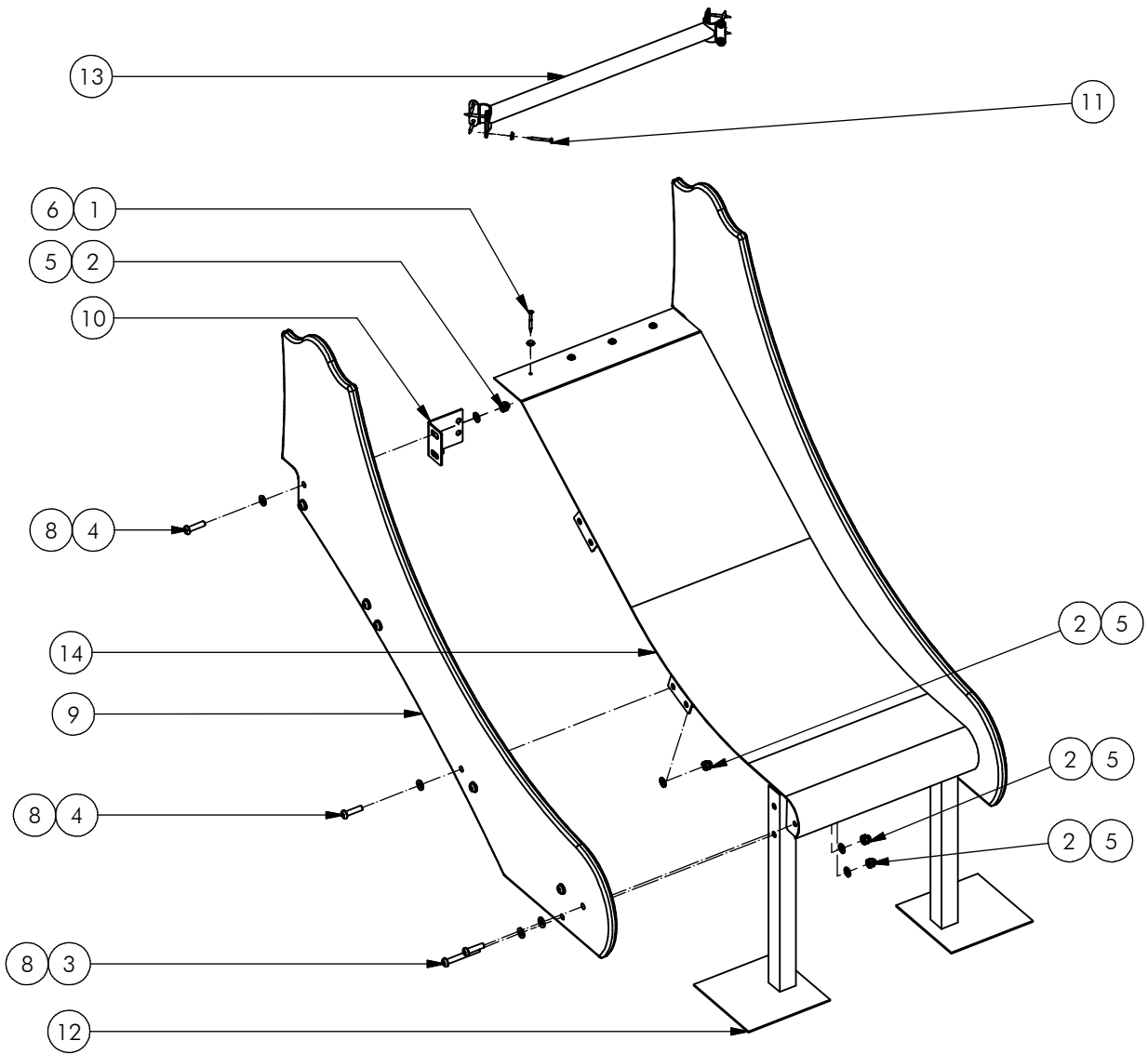
Benaming
Title: Wiebelbrug

Opmerking
Comment: L 1,8 m

Datum
Date: 19-3-2013

Tekening
Drawing

MOD PST 039 005 B
 Samenstelling module *Assembly module*



14	1	SME	UKP	550	320	B	Glijbaan	Ukkepuk
13	1	SME	UKP	500	320	A	SYSTEEMBUIS	UKKEPUK
12	2	SME	UKP	024	372	A	Steunpoot Glijbaan	Ukkepuk
11	2	SMD	UKP	HHT	105		BEVESTIGING VLINDER	UKKEPUK HHT
10	2	OME	UKP	577	304		Bevestigingshoek	Glijbaan Ukkepuk
9	2	OPE	UKP	030	050	B	Zijkant Glijbaan	Ukkepuk
8	18	KST	ROR	010	000		RING NYLON	M10 x 2.5 MM
7	18	KST	DOP	006	030		OPVULDOPJE	6 MM ROOD
6	4	BSR	036	005	015		Facet ring	M5 - RVS A2-70
5	18	BSR	030	010	002		SLUITRING	M10
4	14	BSR	023	010	040		Bolkopbout ISO 7380	M10 x 40 - RVS A2-70
3	4	BSR	023	010	080		Bolkopbout ISO 7380	M10 x 80 - RVS A2-70
2	18	BSR	011	010	020		DOPMOER	BORG RVS M10
1	4	BSR	002	005	050		SCHROEF	5 x 50
POS	N	TYPE	PROJ.	NR.	BEH.	R	BENAMING	OPMERKING



Benaming
Title GLIJBAAN

Opmerking
Comment UKKEPUK

Datum
Date 6-12-2013

Tekening
Drawing

MOD UKP HHT 152 A
Samenstelling module Assembly module