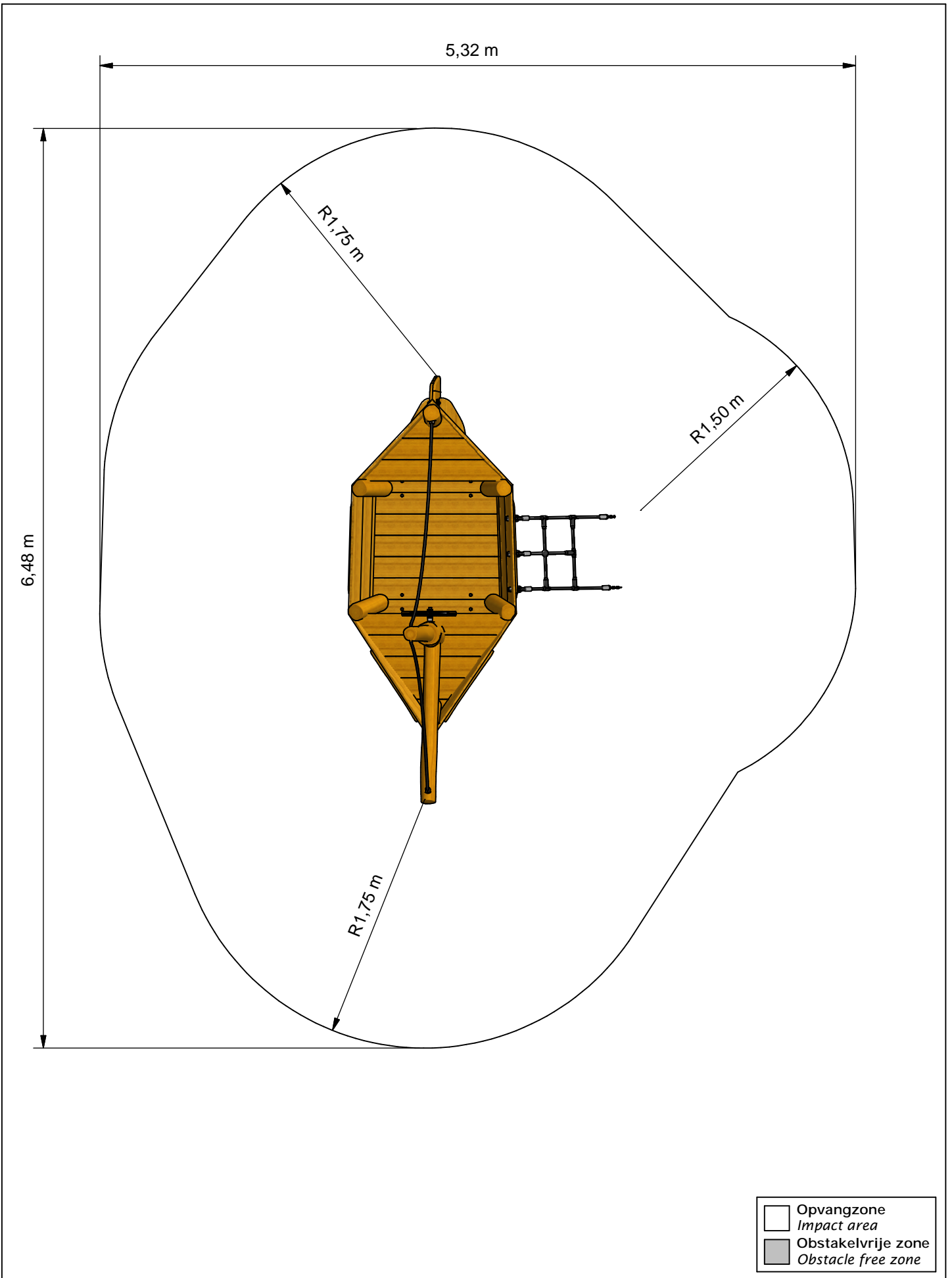




Fixed playship



PSTE000.163



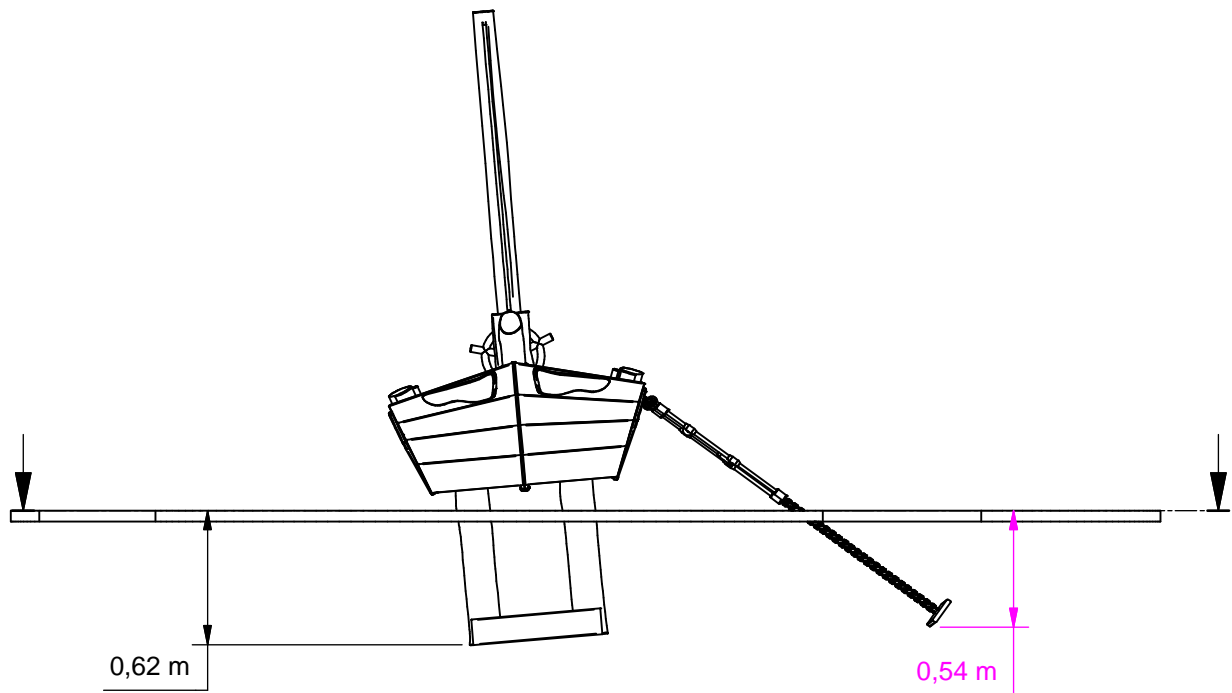
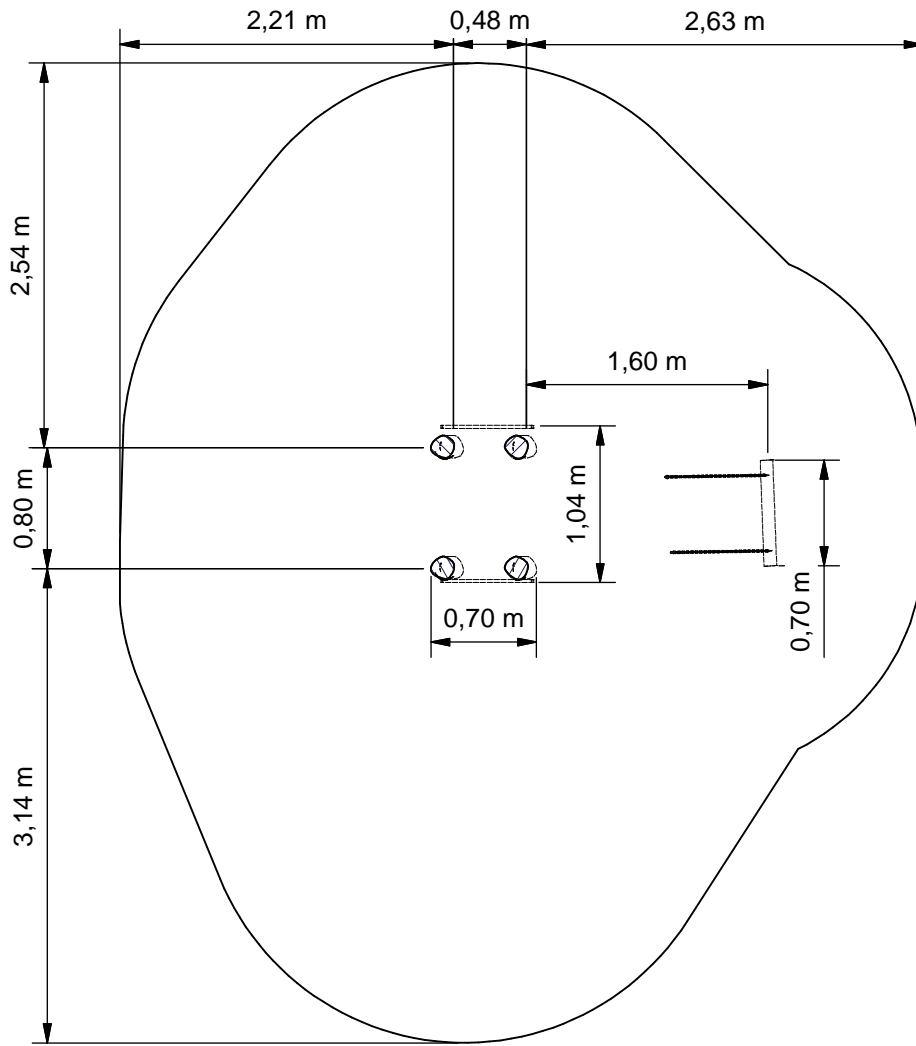
Benaming
Title | Robinia

Opmerking
Comment | Speelbootje

Datum
Date | 2-9-2014

Tekening
Drawing

TOE PST 000 163 C
Obstakelvrije zone *Obstacle free zone*



Benaming
Title | Robinia

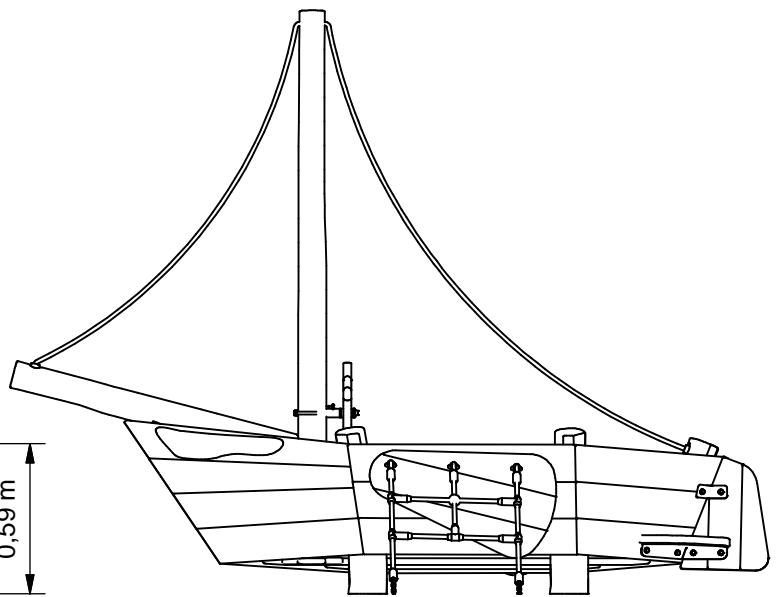
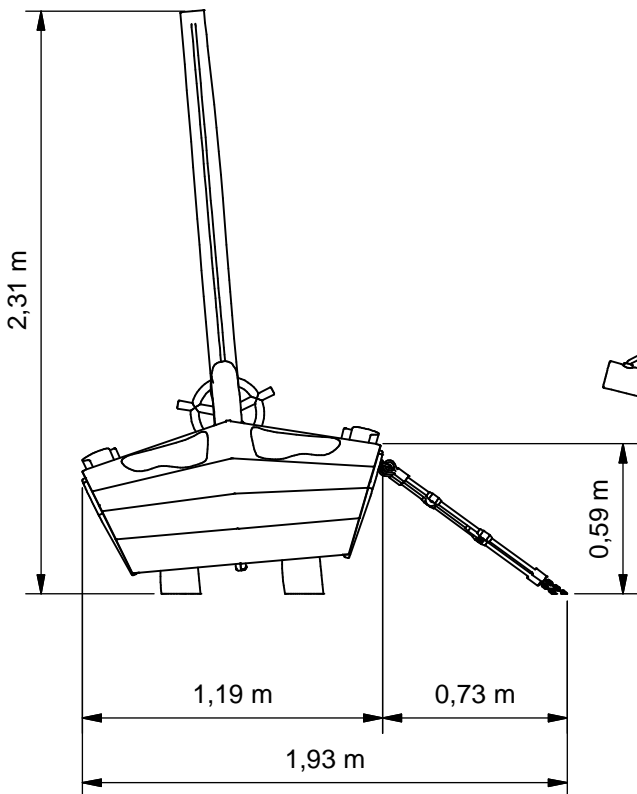
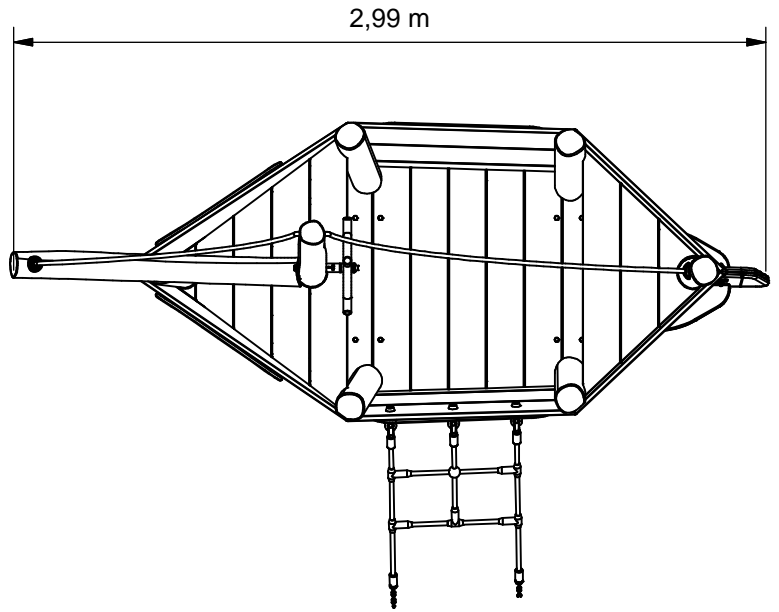
Opmerking
Comment | Speelbootje

Datum
Date | 2-9-2014

Tekening
Drawing

TOE PST 000 163 C

Bodemplan *Groundplan*



Benaming
Title | Robinia

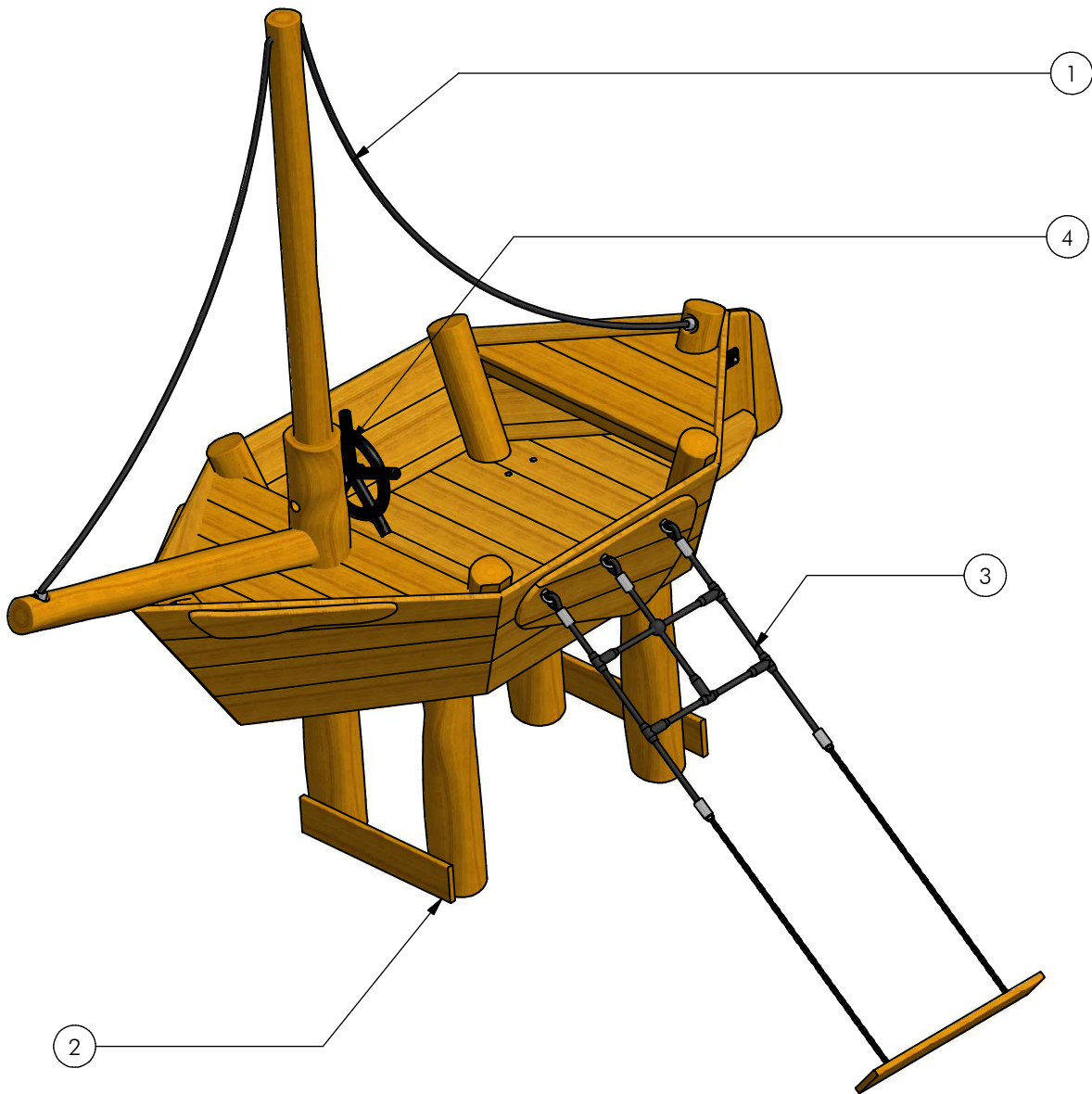
Opmerking
Comment | Speelbootje

Datum
Date | 2-9-2014

Tekening
Drawing

TOE PST 000 163 C

Afmetingen Dimensions



| Nr | # | Type | Progr. | Volgnr | Bew. | Rev. | Benaming | Opmerking |
|----|---|------|--------|--------|------|------|-----------------------|--------------------|
| 1 | 1 | MOD | PST | 009 | 001 | A | Veerschip | Houten bootje |
| 2 | 1 | MOD | PST | 009 | 002 | A | Grond bevestiging | Speelschip Robinia |
| 3 | 1 | MOD | PST | 021 | 020 | A | Oploopnet 600 | Adventure Play |
| 4 | 1 | MOD | PST | 049 | 023 | B | Stuurrad - Speelschip | Adventure Play |



Benaming
Title | Robinia

Opmerking
Comment | Speelbootje

Datum
Date | 2-9-2014

Tekening
Drawing

TOE PST 000 163 C

Modules Modules

Geleverde delen:

A - boot met onderstel en klimnetje

Bevestiging sets:

1 - n.v.t.

Montagevolgorde:

- 1 - graaf de gaten volgens het bodemplan en plaats hierin het toestel
- 2 - controleer of het toestel voldoet aan de afmetingen zoals op blad 'afmetingen'
- 3 - dicht de gaten en verdicht het zand

Controles:

- 1 - correcte opbouw en alle bevestigingsmiddelen
- 2 - de uiterste stahoogte op het dek (<60 cm)
- 3 - controleer de afmetingen van de valbodem t.o.v. het toestel

Supplied parts:

A - boat with support and climbing net

Mounting kits:

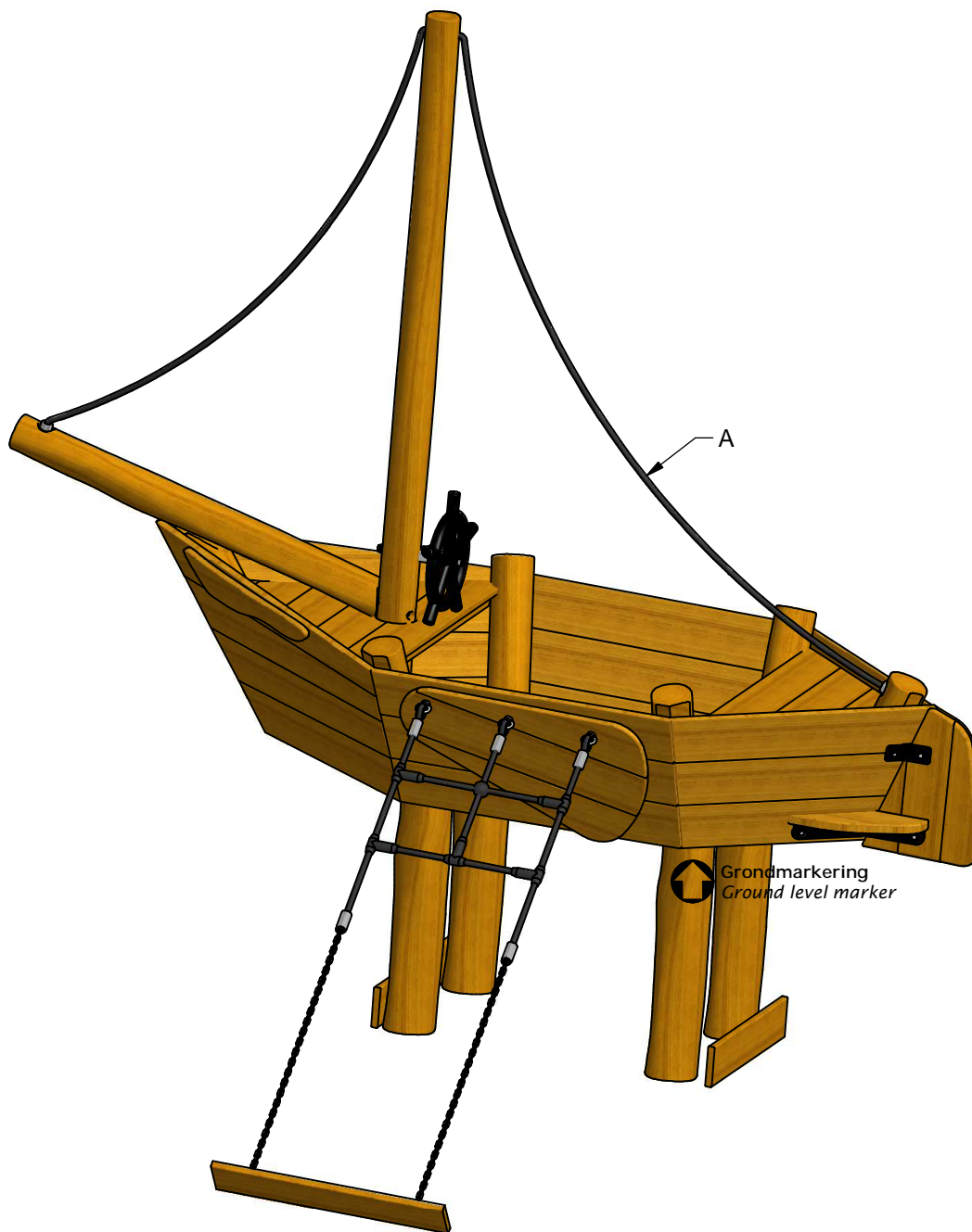
1 - n.a.

Assembly sequence:

- 1 - dig the holes according to the ground plan and place the play equipment
- 2 - check that the equipment conforms to the dimensions shown on sheet 'dimensions'
- 3 - close the holes and compact the sand

Checks:

- 1 - correct assembly and all the fasteners
- 2 - the maximum standing height on the deck (<60 cm)
- 3 - check the dimensions of the safety area compared to the play equipment



PSTE000.163

Fixed playship

LOGBOOK

(Onderstaand logboek kan gebruikt worden om te voldoen aan de eisen, gesteld in artikel 14 van het Warenwetbesluit Attractie- en Speeltoestellen)

| | |
|--|---|
| Type indication | Adventure Play |
| Product code | PSTE000.163 |
| Name of equipment | Vast speelschip |
| Maximum height of fall | 1,0 m |
| Year of construction | 2017 |
| Certificate | 031369 |
| inspection authority | TUV Nederland QA BV De Waal 21c, Best - 5684 PH Best |
| Name manufacturer | BOERplay Hyacintstraat 2 - 4255 HX Nieuwendijk Phone: +31 (0)183 40 23 66 Fax: +31 (0)183 40 35 64 |
| name installer | _____ _____ |
| Description of equipment | Fixed playship |
| Location of equipment | _____ |
| Data about the owner of the play equipment | |
| Name: | _____ |
| Address: | _____ |
| Postcode and town: | _____ |
| Contact person: | _____ |
| Telephone number: | _____ |
| Data about the administrator of the play equipment | |
| Name: | _____ |
| Address: | _____ |
| Postcode and town: | _____ |
| Contact person: | _____ |
| Telephone number: | _____ |

LOGBOOK

Inspection and maintenance intervals



| Nr. | Inspection | Maintenance | months between inspections |
|-----|--|--|----------------------------|
| 1 | Verify equipment's stability, junctions and missing parts. Inspect bolts, screws and nuts for absence, jams, corrosion and wear. | Add missing parts, secure joints, apply missing fixing agent and replace corroded parts. | 1 |
| 2 | Check suspension for wear. | Replace worn parts and/or remove non-functioning parts. | 1 |
| 3 | Inspect rotating parts such as hinges, rolling-element bearings, etc. for wear and acceptability. | Replace worn parts and/or remove non-functioning parts. | 1 |
| 4 | Check wood for splinters, unacceptable damage and signs of rot. Especially at ground level. | Repair damage. Replace affected wood. Smoothen splintered wood and sharp edges. | 1 |
| 5 | Inspect foundation for stability, tearing and coverage. | Restore foundation and covering material. | 3 |
| 6 | Examine rubber and synthetic parts for wear, damage and break. | Replace original parts. | 3 |
| 7 | Inspect metal for corrosion and damage in the coating. | Restore any damaged coating (after removing rust and applying primer). | 6 |
| 8 | Check ropes, cables, chains and nets for wear and damage. Steel cables and nets which are tensioned must be checked for tension. | Replace parts where necessary. Steel cables and nets must be tensioned. | 3 |
| 9 | Inspect equipment for unsafe changes and additions. | Remove unsafe additions and correct unsafe changes. | 1 |
| 10 | Inspect safety surfaces. | Restore and repair where necessary. | 1 |

Remarks

1. If used intensively, all points require extra attention.
2. Extreme weather conditions and locations may require a higher inspection frequency. Discuss this with the supplier.
3. Vandalism-sensitive locations require stricter inspections, possibly daily.
4. Check the terrain regularly for items that do not belong there, are unsafe or may be used wrongly. Examples are poisonous plants, glass shards, etc. Frequency depends on strain.
5. Remember that bad maintenance leads to unsafe conditions and notably faster impoverishment of the playground area.
6. Replacement parts can be ordered at the manufacturer with the part numbers on the module drawing. Drawings can be found in de user guide.
7. The impact area shall be provided with impact attenuating surface according to the specified falling height.
8. This list is conform the CEN-standard "playground equipment and surfacing NEN-EN 1176-7".

Warenwet

Certificaat van Typeonderzoek Type Examination Certificate


afgegeven door issued by

TÜV Nederland QA BV



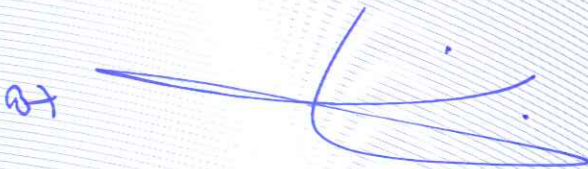
aangewezen bij ministeriële beschikking van
4 mei 2012, nr. VGP 3113590

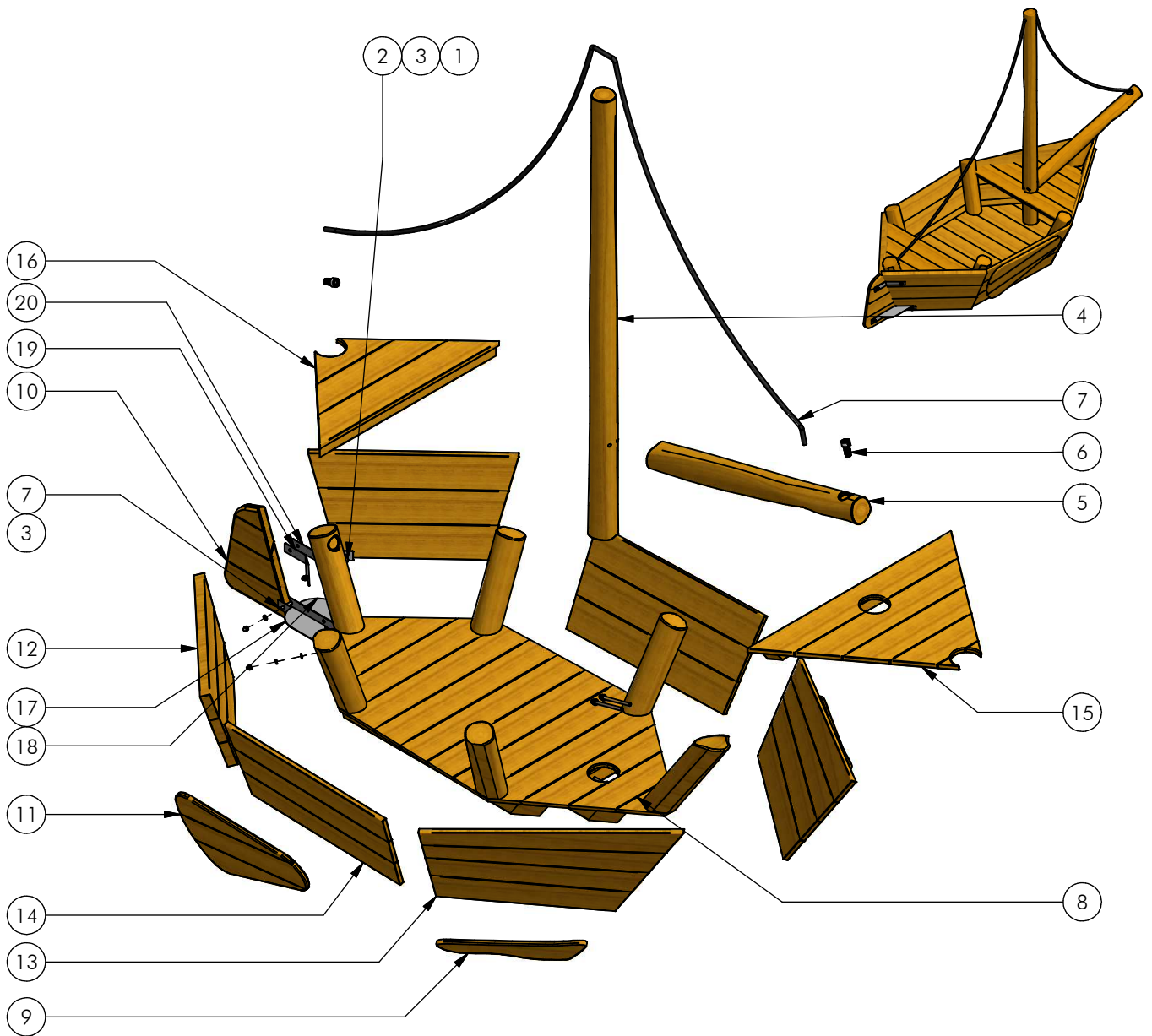
commissioned by departmental order
of 4 May 2012, no. VGP 3113590

| | | | |
|---|---|--|----------|
| Certificaat nr. Certificate nr. | 031369TA_20130422 | Dossiernr. File nr. | 031369TA |
| Productomschrijving Product description | Vast speelschip | | |
| Evt. nadere aanduidingen Further indications | Vrije valhoogte 90 cm / free height of fall 90 cm. | | |
| voor nadere informatie zie bijbehorend rapport met gelijkkluidend dossiernr. for further information see associated report with identical file nr. |  | | |
| Eigenaar / certificaathouder en adres Owner/certificate holder and address | Boer Speeltoestellen B.V. Hyacintstraat 2 4255 HX Nieuwendijk | | |
| Soort toestel Category of equipment | Speeltoestel / Playground equipment | | |
| Fabrikant Manufacturer | Boer Speeltoestellen B.V. Hyacintstraat 2 4255 HX Nieuwendijk | | |
| Type/Serienummer Type/Serial number | PST.000.163 / | in te vullen door de fabrikant to be filled out by the manufacturer | |
| Jaar van fabricage Year of construction | vanaf since | | |
| Leverancier Supplier | Boer Speeltoestellen B.V. Hyacintstraat 2 4255 HX Nieuwendijk | | |
| Jaar van levering Year of supply | in te vullen door de leverancier to be filled out by the supplier | | |
| Datum keuring Date of examination | 06-06-2012 – 23-04-2013 | | |

TÜV Nederland QA BV, de Waal 21C, NL-5684 PH Best verklaart, dat het bovenaangehaalde toestel voldoet aan de vervaardigingvoorschriften genoemd in het Warenwetbesluit attractie- en speeltoestellen (met als leidraad de normatieve documenten NEN-EN 1176:2008).

TÜV Nederland QA BV declares that the here above mentioned equipment meets the safety and health requirements mentioned in the Dutch law "Warenwetbesluit attractie- en speeltoestellen" (guided by normative documents EN 1176:2008).

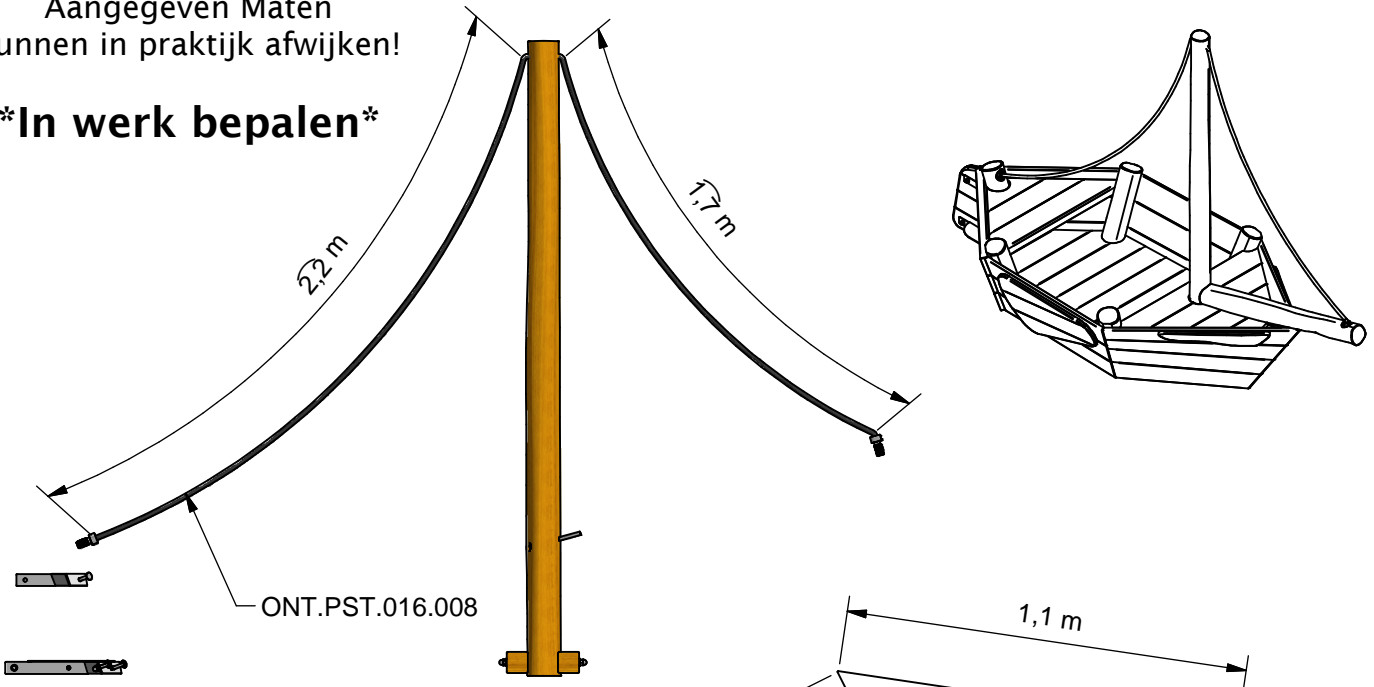
| | |
|---|--|
| Namens het bestuur, For the board, A.C. Boon Directeur |  |
|---|--|



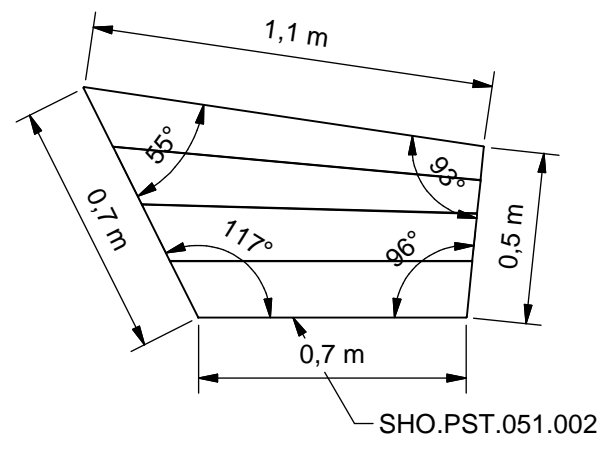
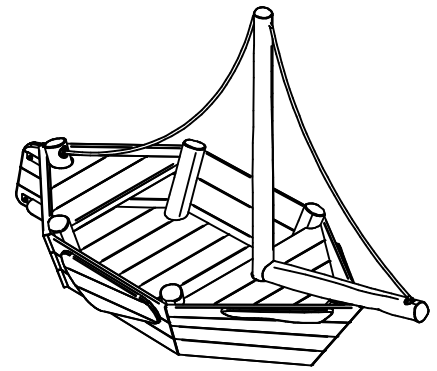
| Nr | # | Type | Progr. | Volgnr | Bew. | Rev. | Benaming | Opmerking |
|----|---|------|--------|--------|------|------|----------------------|--------------------------|
| 1 | 6 | BSR | 012 | 010 | 018 | | DOPMOER | RVS M10 |
| 2 | 6 | BSR | 026 | 010 | 060 | | Slotbout | M10 x 60 - RVS A2-70 |
| 3 | 6 | BSR | 034 | 010 | 002 | | Veerring | M10 - RVS A2-70 |
| 4 | 1 | OHO | PST | 120 | 021 | | Paal 10-12 | Lengte =2100 |
| 5 | 1 | OHO | PST | 120 | 012 | | Paal 10-12 | Lengte =1200 |
| 6 | 2 | OME | BUS | 002 | RVS | | Bus RVS schroefdraad | touw d16 |
| 7 | 1 | ONT | PST | 016 | 008 | | Masttouw | Zwarttouw Ø16 L4500 |
| 8 | 1 | SHO | PST | 018 | 001 | | Basis Bootje | Robinia |
| 9 | 2 | SHO | PST | 019 | 003 | | Boegbeeld | Bootje |
| 10 | 1 | SHO | PST | 019 | 002 | | Roer | Bootje |
| 11 | 2 | SHO | PST | 019 | 001 | | Zwaard | Bootje |
| 12 | 2 | SHO | PST | 051 | 003 | | Achter | 3st. 150x20 L 850 |
| 13 | 2 | SHO | PST | 051 | 002 | | Voor | 4st. 150x20 L1100 |
| 14 | 2 | SHO | PST | 051 | 001 | | Midden | 3st. 150x20 L900 |
| 15 | 1 | SHO | PST | 052 | 002 | | Voordek | 5st. 150x20 + 1st. 50x50 |
| 16 | 1 | SHO | PST | 052 | 001 | | Achterdek | 3st. 150x20 + 1st. 50x50 |
| 17 | 1 | SME | PST | 079 | 304 | | Beugel | Speelschip |
| 18 | 1 | SME | PST | 080 | 304 | | Beugel Speelschip | Adventure Play |
| 19 | 1 | SME | PST | 081 | 304 | | Strip | Speelschip |
| 20 | 1 | SME | PST | 082 | 304 | | Strip Speelschip | Adventure Play |

Aangegeven Maten
kunnen in praktijk afwijken!

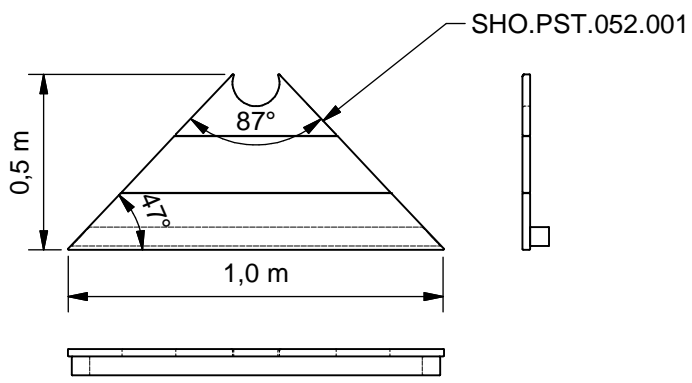
In werk bepalen



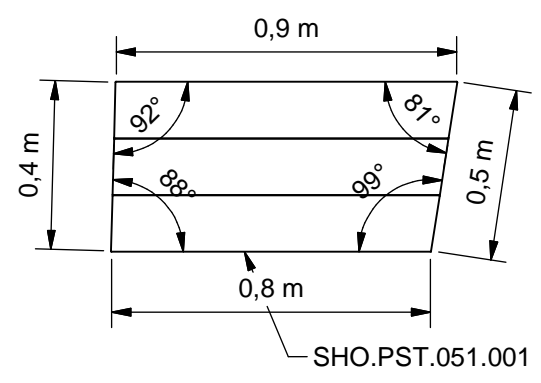
ONT.PST.016.008



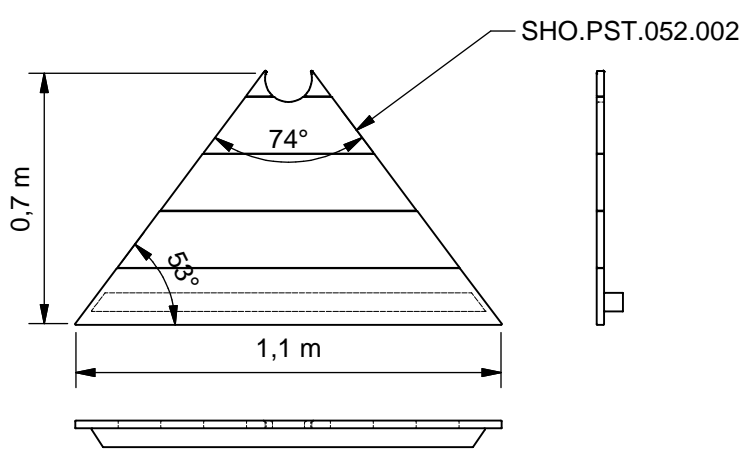
SHO.PST.051.002



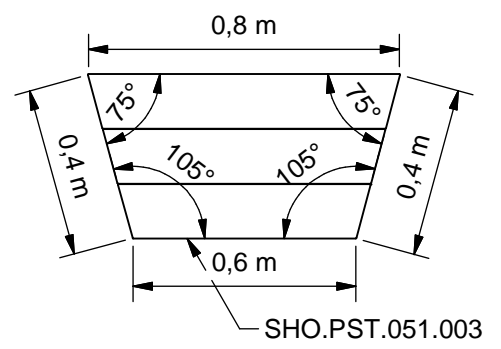
SHO.PST.052.001



SHO.PST.051.001



SHO.PST.052.002



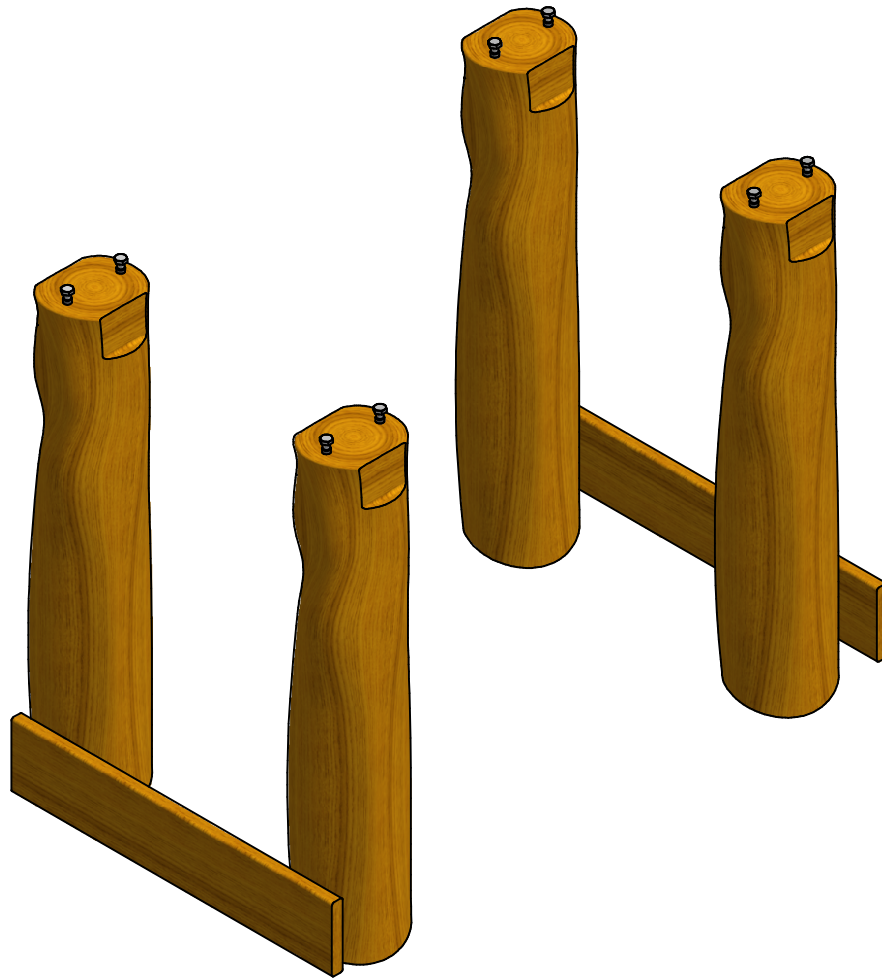
SHO.PST.051.003



| | |
|----------------------|---------------|
| Benaming Title | Veerschip |
| Opmerking Comment | Houten bootje |
| Datum Date | 28-9-2016 |

Tekening
Drawing

MOD PST 009 001 B
Samenstelling module *Assembly module*



| Nr | # | Type | Progr. | Volgnr | Bew. | Rev. | Benaming | Opmerking |
|----|---|------|--------|--------|------|------|---------------|-----------------------|
| 1 | 8 | BSR | 022 | 010 | 100 | | Houtdraadbout | ∅10 X 100 - RVS A2-70 |
| 2 | 4 | OHO | PST | 160 | 008 | | Paal 14-16 | Lengte =800 |
| 3 | 2 | OHO | PST | 240 | 060 | | Plank 120x20 | Lengte = 600 |



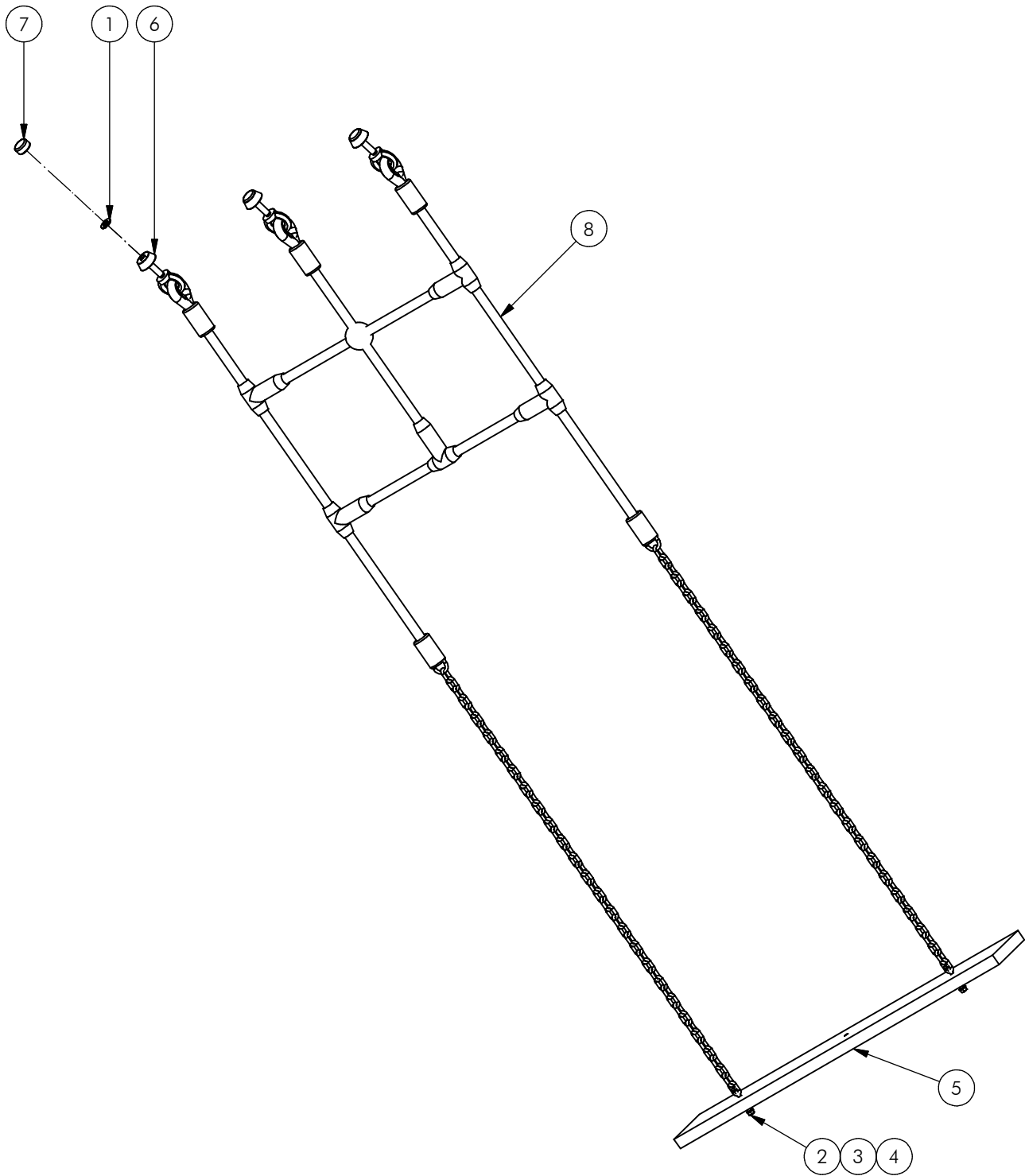
Benaming
Title | Grond bevestiging

Opmerking
Comment | Speelschip Robinia

Datum
Date | 20-4-2011

Tekening
Drawing

MOD PST 009 002 A
 Samenstelling module *Assembly module*



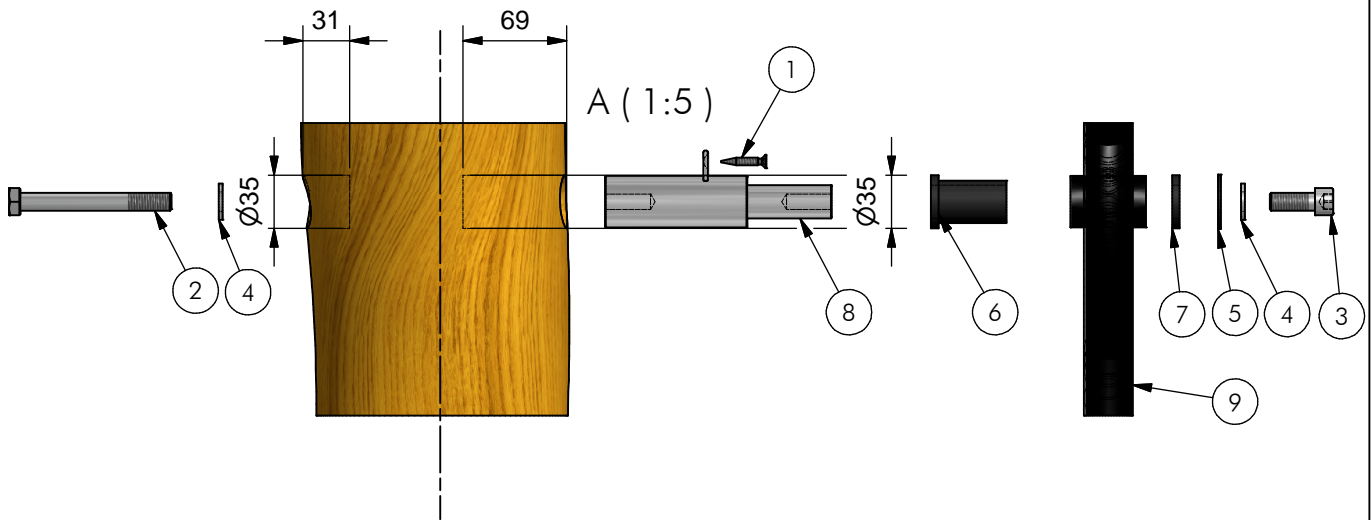
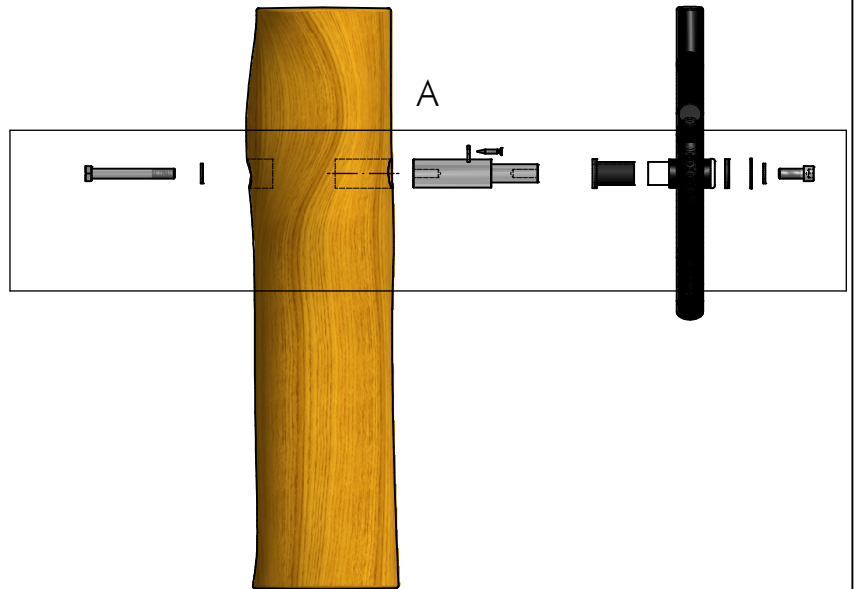
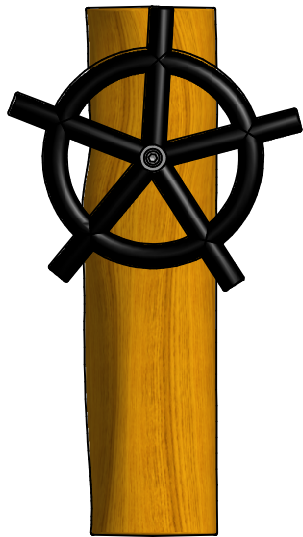
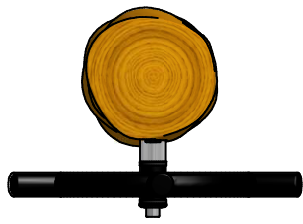
| Nr | # | Type | Progr. | Volgnr | Bew. | Rev. | Benaming | Opmerking |
|----|---|------|--------|--------|------|------|----------------------|------------------|
| 1 | 3 | BSR | 030 | 010 | 002 | | SLUITRING | M10 |
| 2 | 2 | BSV | 017 | 006 | 005 | | Zeskantmoer | M6 - VZ 8.8 |
| 3 | 2 | BSV | 021 | 006 | 050 | | Zeskantbout ISO 4014 | M6 x 50 - VZ 8.8 |
| 4 | 4 | BSV | 030 | 006 | 002 | | Sluitring | M6 - VZ 8.8 |
| 5 | 1 | KST | APL | 075 | | | Ankerplaat | 750x100x19 |
| 6 | 3 | KST | DON | 011 | 090 | | interplay donut | zwart |
| 7 | 3 | KST | DOP | 011 | 090 | | interplay dop | zwart |
| 8 | 1 | SNT | PST | 016 | 112 | A | Inloopnet Zwart | Adventure Play |



Benaming Title: Oploopnet 600
 Opmerking Comment: Adventure Play
 Datum Date: 24-3-2016

Tekening Drawing

MOD PST 021 020 A
 Samenstelling module Assembly module



| Nr | # | Type | Progr. | Volgnr | Bew. | Rev. | Benaming | Opmerking |
|----|---|------|--------|--------|------|------|------------------|-----------------------|
| 1 | 1 | BSR | 002 | 005 | 030 | | Schroef Assy | 5 x 30 - RVS A2-70 |
| 2 | 1 | BSR | 021 | 012 | 100 | | Zeskantbout | M12 x 100 - RVS A2-70 |
| 3 | 1 | BSR | 027 | 012 | 030 | B | Cilinderkop bout | M12 x 30 - RVS A2-70 |
| 4 | 2 | BSR | 030 | 012 | 003 | | Sluitring | M12 - RVS A2-70 |
| 5 | 1 | BSR | 035 | 012 | 036 | B | Carrosserie ring | M12 - RVS A2-70 |
| 6 | 1 | KST | MNP | 147 | PA6 | | Kunststof bus | Stuurrad |
| 7 | 1 | KST | RNG | 022 | 035 | | Kunststof Ring | 22 x 35 dikte 5 |
| 8 | 1 | SME | MNP | 026 | ALU | A | Asje | Stuurrad |
| 9 | 1 | SME | PST | 035 | ALU | | Stuur (Miniplay) | Speelbootje Robinia |



Benaming Title: Stuurrad - Speelschip
 Opmerking Comment: Adventure Play
 Datum Date: 2-9-2014

Tekening Drawing

MOD PST 049 023 B
 Samenstelling module Assembly module