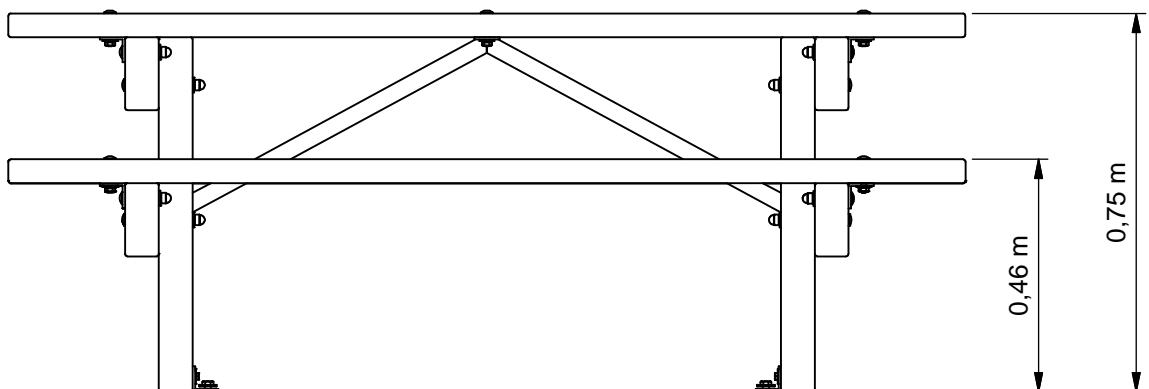
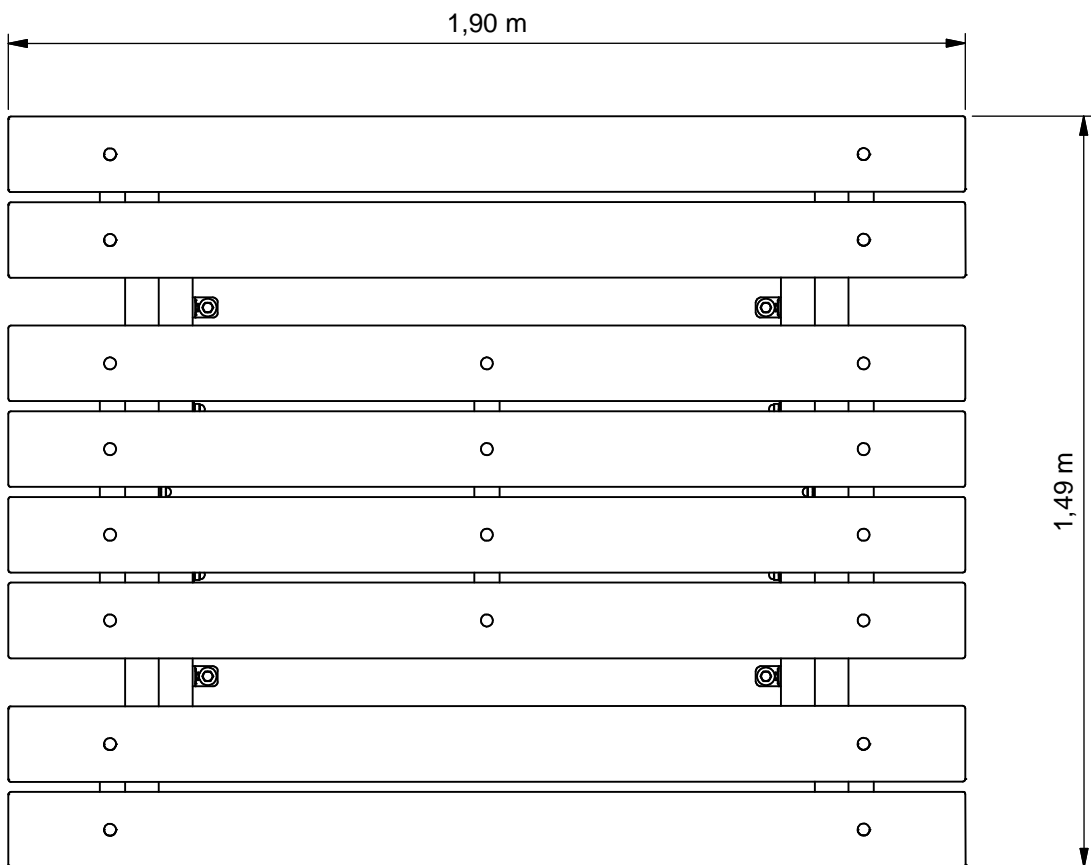




Picnic set



PKNE103.140



Benaming
Title | Picknickset

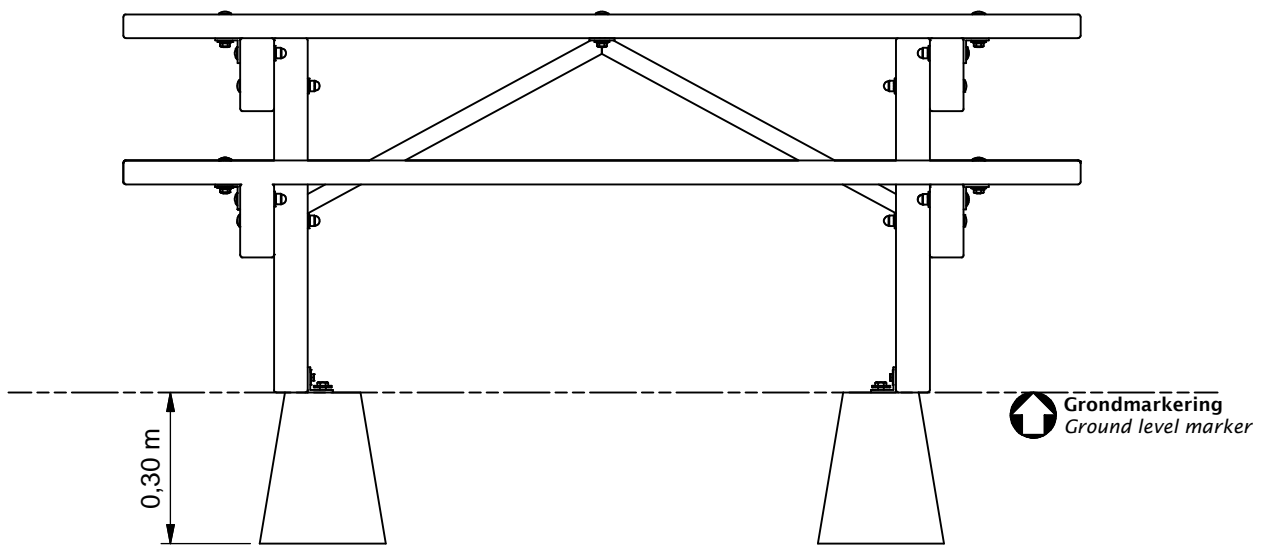
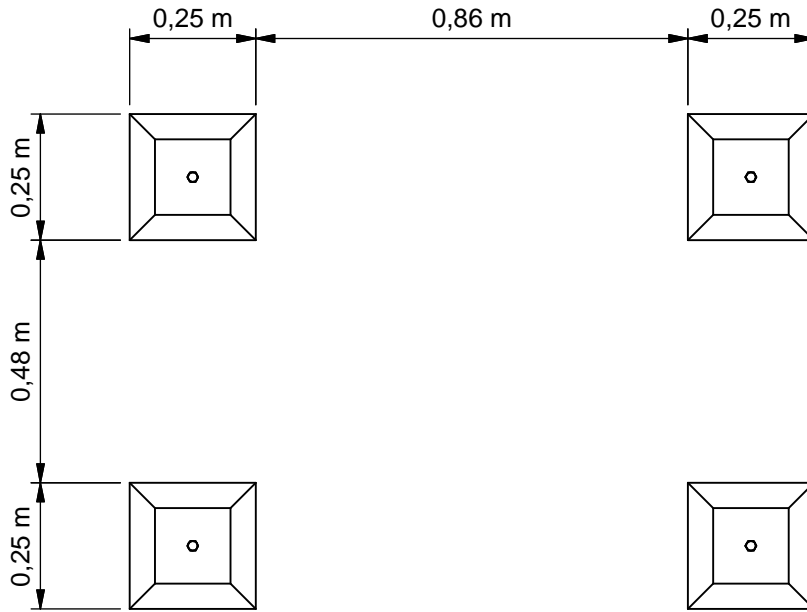
Opmerking
Comment | Rebo

Datum
Date | 27-10-2015

Tekening
Drawing

TOE PKN 103 140

Hoofdafmetingen *Main dimensions*



Benaming
Title Picknickset

Opmerking
Comment Rebo

Datum
Date 27-10-2015

Tekening
Drawing

TOE PKN 103 140

Bodemplan *Groundplan*

Geleverde modules:

Zie tabel

Supplied modules:

See table

Montageinstructie:

- De modules kunnen correct geassembleerd worden met de voorgeboorde gaten.

Assembly instruction:

- The modules can be assembled correctly using the predrilled holes.

Montagevolgorde:

- 1 - Graaf de gaten volgens het bodemplan
- 2 - Plaats tafel
- 3 - Controleer of het toestel voldoet aan de afmetingen zoals op blad 'afmetingen'
- 4 - Dicht de gaten en verdicht het zand

Assembly sequence:

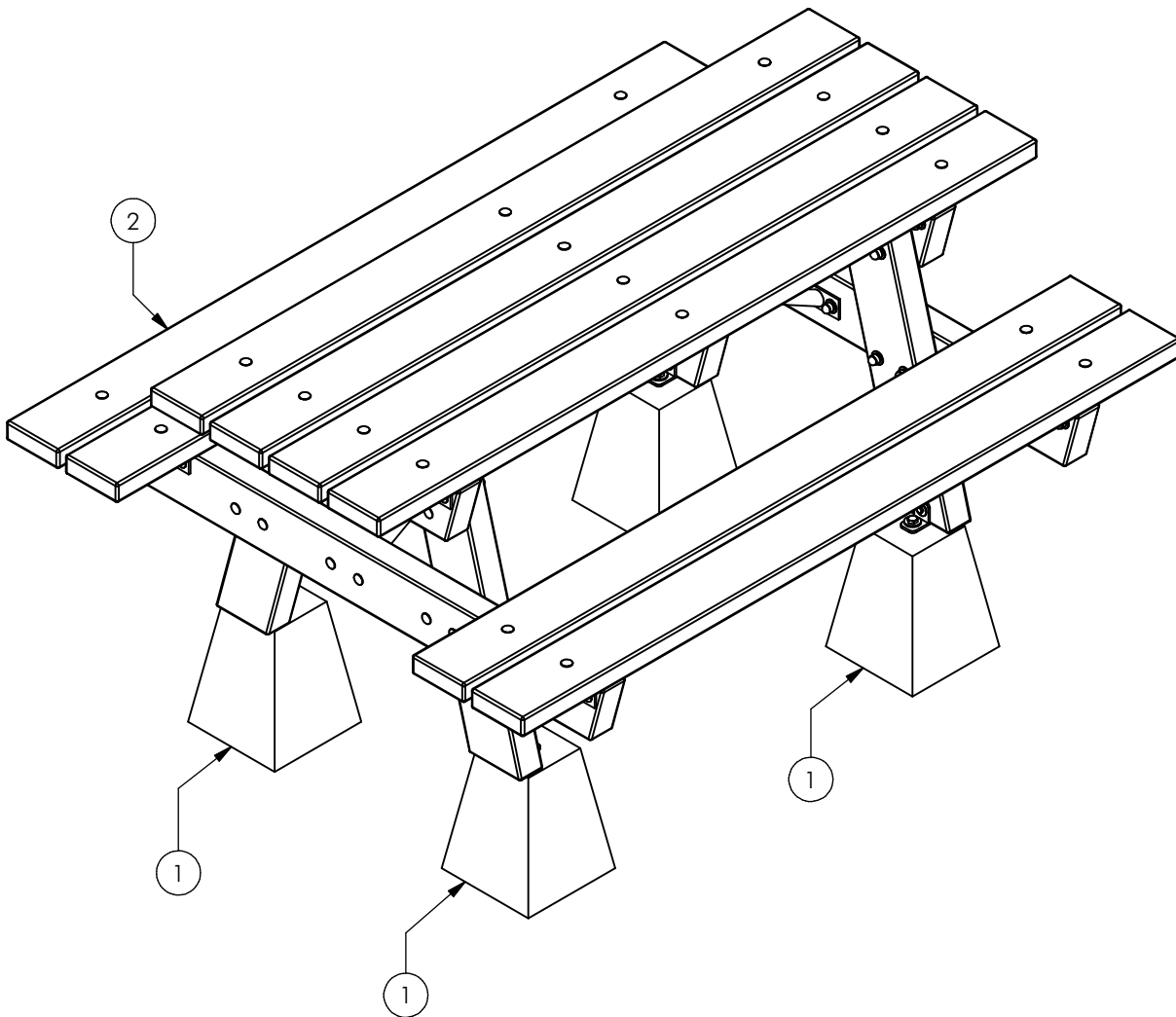
- 1 - Dig the holes according to the ground plan
- 2 - Place table
- 3 - Check that the equipment conforms to the dimensions shown on sheet 'dimensions'
- 4 - Close the holes and compact the sand

Controles:

- 1 - Correcte opbouw en alle bevestigingsmiddelen

Checks:

- 1 - Correct assembly and all the fasteners



Nr	#	Type	Progr.	Volgnr	Bew.	Rev.	Benaming	Opmerking
1	4	MOD	OBT	001	025		Poer model 1	25 KG
2	1	MOD	PKN	103	140		Picknickset	Rebo



Benaming
Title | Picknickset

Opmerking
Comment | Rebo

Datum
Date | 27-10-2015

Tekening
Drawing

TOE PKN 103 140

Modules Modules

PKNE103.140

Picnic set

LOGBOOK

(Onderstaand logboek kan gebruikt worden om te voldoen aan de eisen, gesteld in artikel 14 van het Warenwetbesluit Attractie- en Speeltoestellen)

Type indication	Streetfurniture
Product code	PKNE103.140
Name of equipment	PB Picknickset model 314
Maximum height of fall	n.a.
Year of construction	2017
Certificate	0183402366
inspection authority	NVT -
Name manufacturer	BOERplay Hyacintstraat 2 - 4255 HX Nieuwendijk Phone: +31 (0)183 40 23 66 Fax: +31 (0)183 40 35 64
name installer	_____ _____
Description of equipment	Picnic set
Location of equipment	_____
Data about the owner of the play equipment	
Name:	_____
Address:	_____
Postcode and town:	_____
Contact person:	_____
Telephone number:	_____
Data about the administrator of the play equipment	
Name:	_____
Address:	_____
Postcode and town:	_____
Contact person:	_____
Telephone number:	_____

LOGBOOK

Inspection and maintenance intervals



Nr.	Inspection	Maintenance	months between inspections
1	Verify equipment's stability, junctions and missing parts. Inspect bolts, screws and nuts for absence, jams, corrosion and wear.	Add missing parts, secure joints, apply missing fixing agent and replace corroded parts.	1
2	Check suspension for wear.	Replace worn parts and/or remove non-functioning parts.	1
3	Inspect rotating parts such as hinges, rolling-element bearings, etc. for wear and acceptability.	Replace worn parts and/or remove non-functioning parts.	1
4	Check wood for splinters, unacceptable damage and signs of rot. Especially at ground level.	Repair damage. Replace affected wood. Smoothen splintered wood and sharp edges.	1
5	Inspect foundation for stability, tearing and coverage.	Restore foundation and covering material.	3
6	Examine rubber and synthetic parts for wear, damage and break.	Replace original parts.	3
7	Inspect metal for corrosion and damage in the coating.	Restore any damaged coating (after removing rust and applying primer).	6
8	Check ropes, cables, chains and nets for wear and damage. Steel cables and nets which are tensioned must be checked for tension.	Replace parts where necessary. Steel cables and nets must be tensioned.	3
9	Inspect equipment for unsafe changes and additions.	Remove unsafe additions and correct unsafe changes.	1
10	Inspect safety surfaces.	Restore and repair where necessary.	1

Remarks

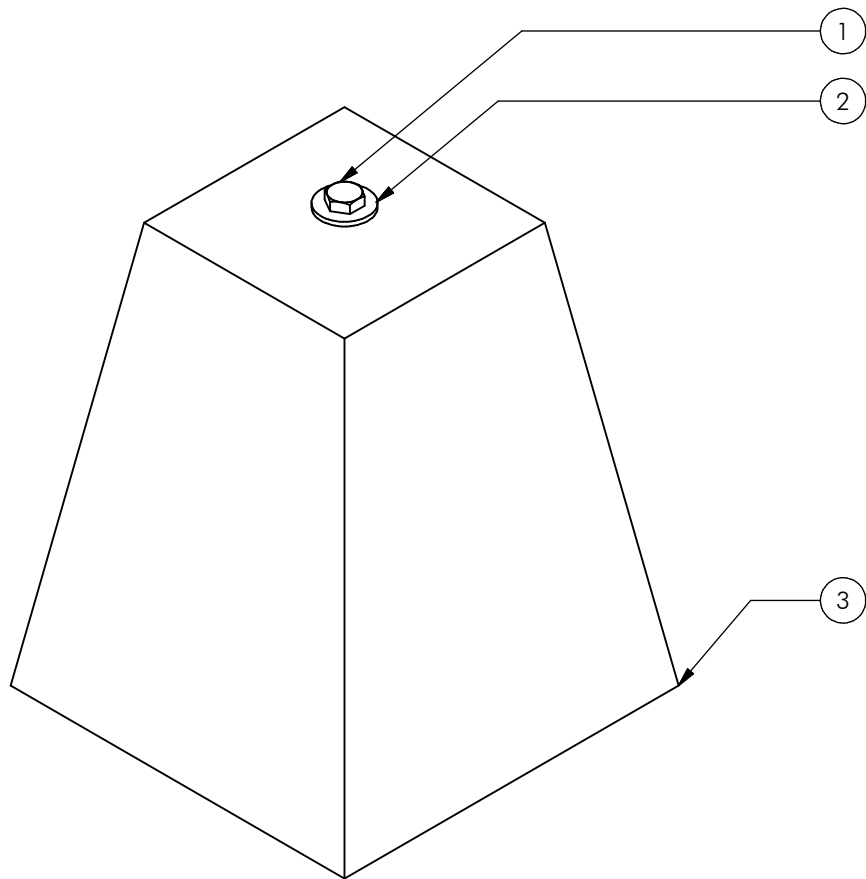
1. If used intensively, all points require extra attention.
2. Extreme weather conditions and locations may require a higher inspection frequency. Discuss this with the supplier.
3. Vandalism-sensitive locations require stricter inspections, possibly daily.
4. Check the terrain regularly for items that do not belong there, are unsafe or may be used wrongly. Examples are poisonous plants, glass shards, etc. Frequency depends on strain.
5. Remember that bad maintenance leads to unsafe conditions and notably faster impoverishment of the playground area.
6. Replacement parts can be ordered at the manufacturer with the part numbers on the module drawing. Drawings can be found in de user guide.
7. The impact area shall be provided with impact attenuating surface according to the specified falling height.
8. This list is conform the CEN-standard "playground equipment and surfacing NEN-EN 1176-7".



Dit toestel is geen speeltoestel conform het warenwetbesluit attractie- en speeltoestellen, en is dus niet als zodanig gecertificeerd.

This equipment is not playground equipment, so it has not been certified as such.





Nr	#	Type	Progr.	Volgnr	Bew.	Rev.	Benaming	Opmerking
1	1	BSV	021	012	040		Zeskantbout ISO 4014	M12 x 40 - VZ 8.8
2	1	BSV	035	012	035		Carrosseriering	M12 x 35 - VZ 8.8
3	1	OBT	POE	001	025		Poer model 1	25 kg



Benaming
Title Poer model 1

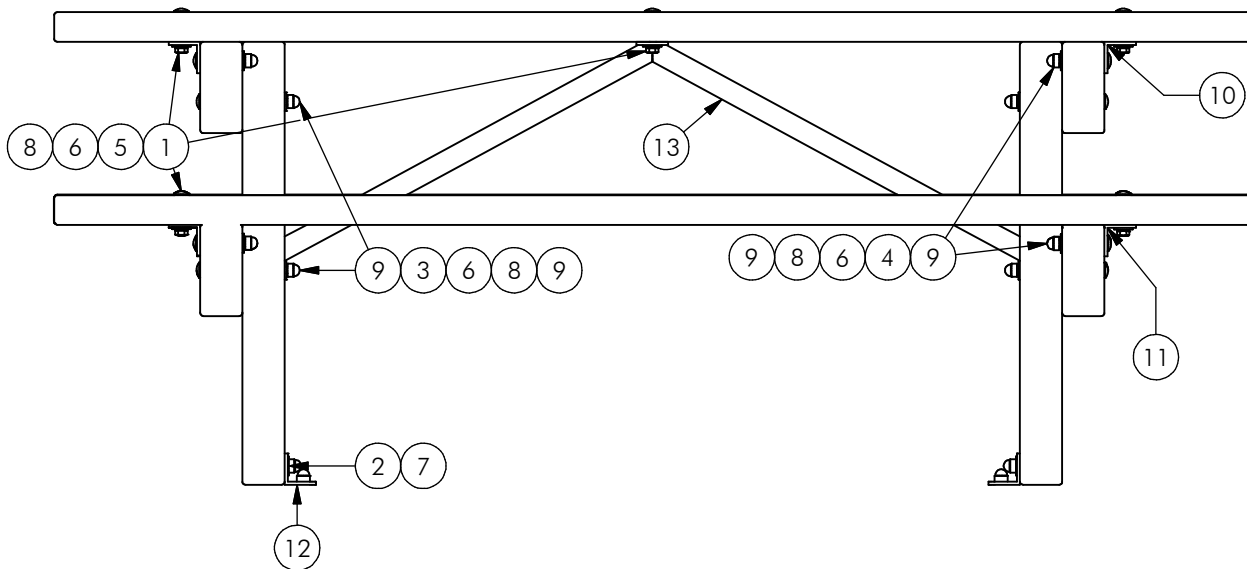
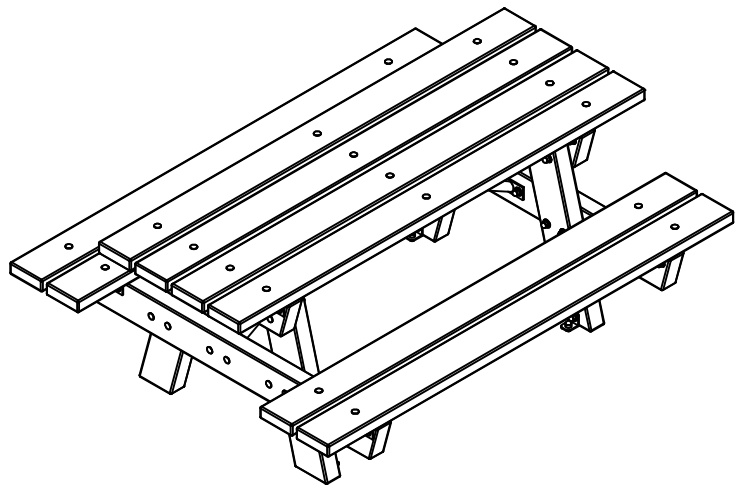
Opmerking
Comment 25 KG

Datum
Date 2-3-2015

Tekening
Drawing

MOD OBT 001 025

Samenstelling module Assembly module



Nr	#	Type	Progr.	Volgnr	Bew.	Rev.	Benaming	Opmerking
1	54	BSV	017	010	008		Zeskantmoer	M10 - VZ 8.8
2	4	BSV	022	008	050		Houtdraadbout	ø8 X 50 - Verzinkt
3	16	BSV	026	010	150		Slotbout	M10 x 150 - VZ 8.8
4	18	BSV	026	010	090		Slotbout	M10 x 90 - VZ 8.8
5	20	BSV	026	010	065		Slotbout	M10 x 65 - VZ 8.8
6	54	BSV	032	010	002		Veerring	M10 - VZ 8.8
7	4	BSV	035	008	030		CARROSSERIERING	M8 x 30 - VZ 8.8
8	54	BSV	035	010	030		Carrosseriering	M10 x 30 - VZ 8.8
9	42	KST	ZKD	010	021		Afdekdop zeskantbout	M10 zwart
10	2	OME	PKN	078	906		L 50x50x5	L= 620 mm
11	4	OME	PKN	079	906		L 50x50x5	L= 280 mm
12	4	OME	PKN	083	ALU		L 50x50x5	L= 40 mm
13	1	SME	PKN	029	906		Schoren	Picknickbank



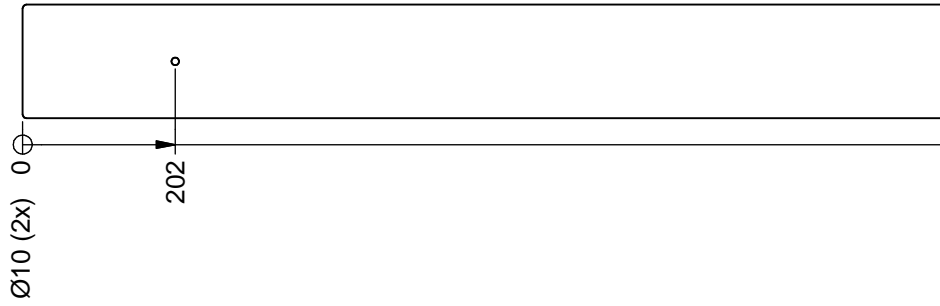
Benaming Title Picknickset
 Opmerking Comment Rebo
 Datum Date 27-10-2015

Tekening Drawing

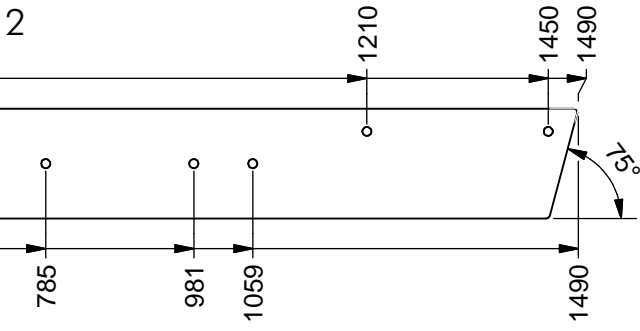
MOD PKN 103 140

Samenstelling module Assembly module

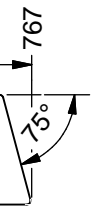
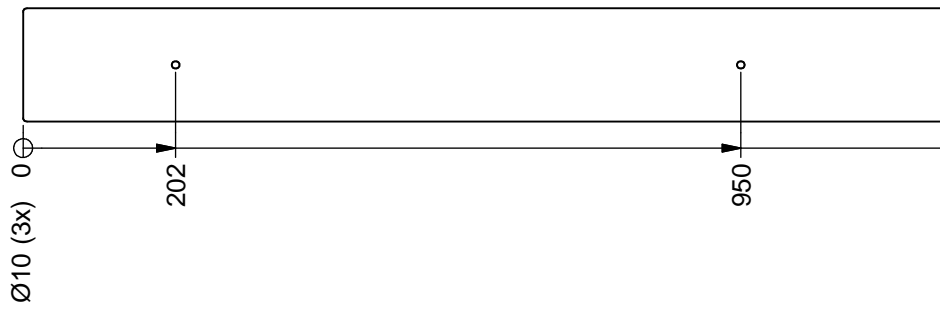
4



2



5



g
5x67
5x67
5x67
50x47
50x47



Benaming Title	Picknickset
Opmerking Comment	Rebo
Datum Date	27-10-2015

Tekening
Drawing