



Sports equipment

SPTE230.025

Panna court



SPTE230.025

Panna court



2+



all ages



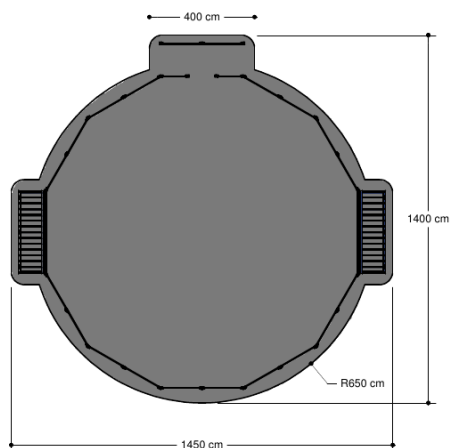
14.0 x 13.2 x 2.5 m



n.a.



n.a.



Playfunctions

Street play, ball play

Material

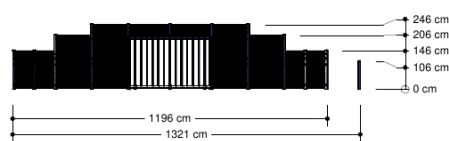
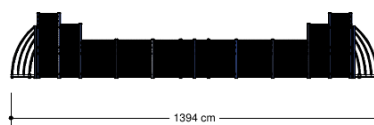
Pillars and goals in galvanized steel tubes, powder coated in any color of your choice at extra cost. The Basketball board is made of Trespa Meteon. Grilles are manufactured from galvanized pressed gratings and attached to the poles using rubber mountings to reduce noise.

Anchorage

The pillars are equipped with base plates. The goals are equipped with ground anchors. In general, it is not necessary to use concrete.

Comments

If the circumstances so warrants, add concrete.



Opvangzone

Impact area

WAS, Dutch law

EN1176

Obstakelvrije zone

Obstacle free zone

WAS, Dutch law

EN1176

