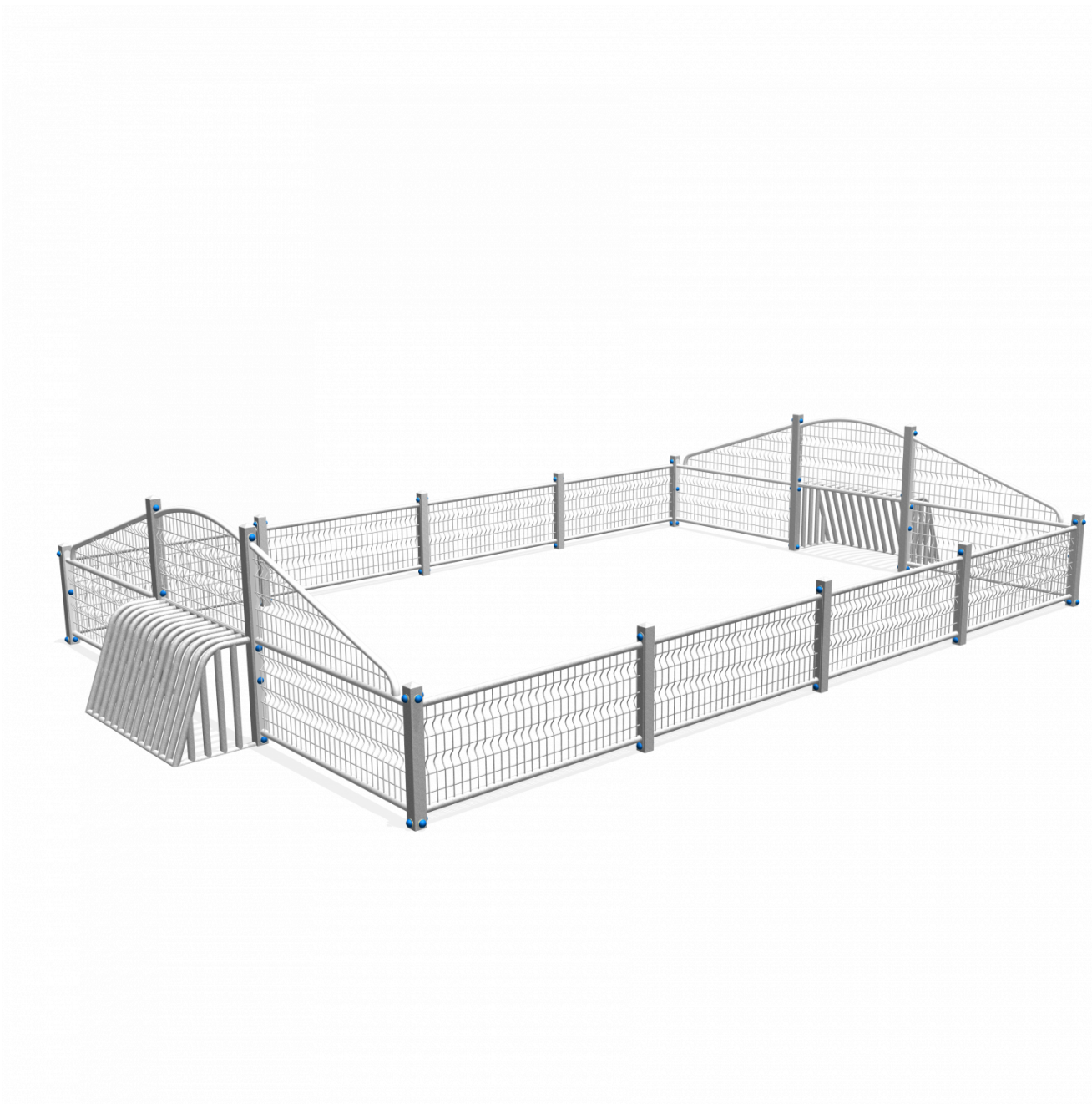
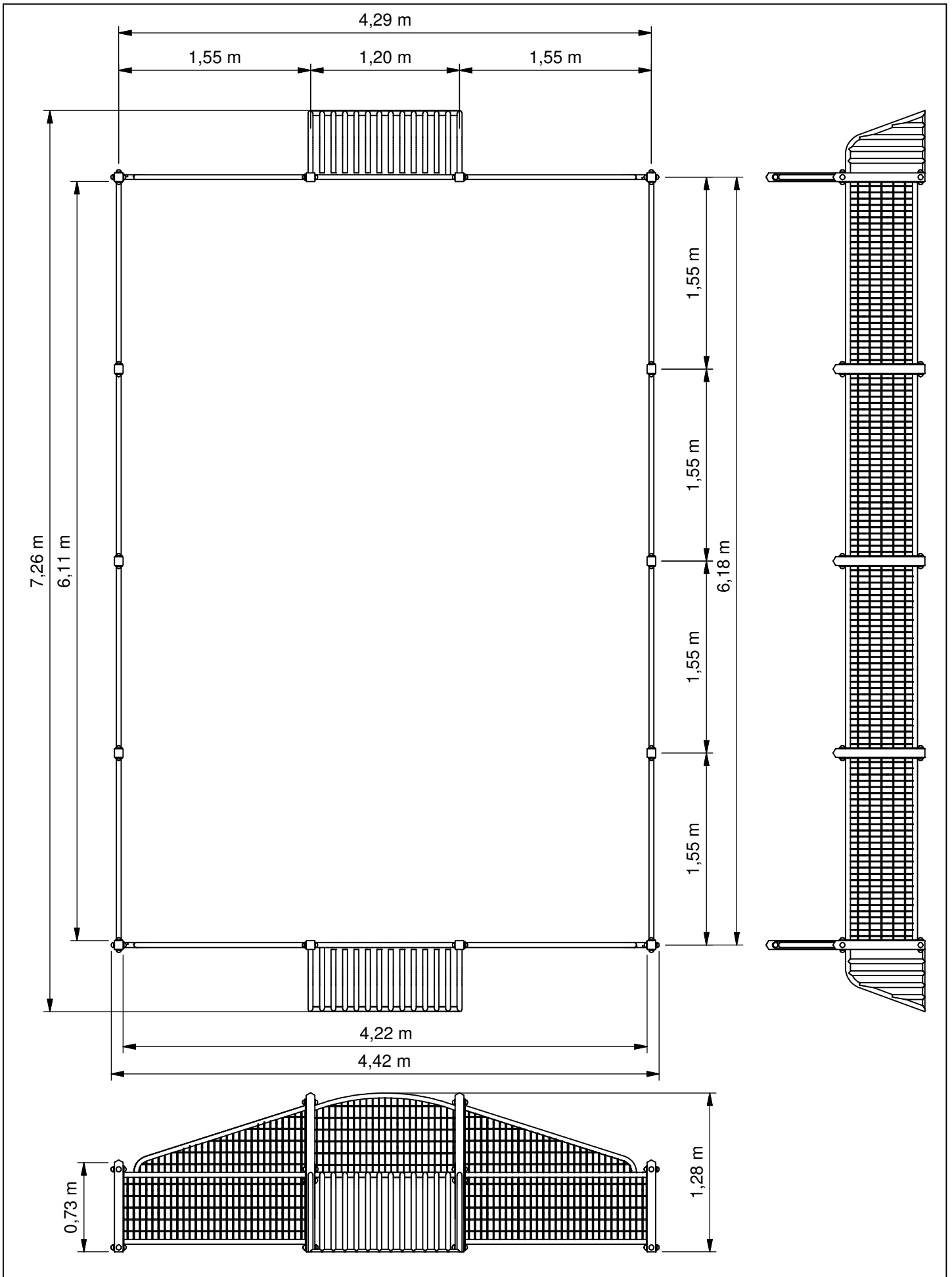




# Minicourt 6,2 x 4,3 m galvanised



SOLE030.313



Benaming  
Title Miniveld

Opmerking  
Comment 6,1 x 4,2 m

Datum  
Date 11-7-2017

Tekening  
Drawing

TOE SOL 030 313

Hoofdafmetingen Main dimensions

# SOLE030.313

Minicourt 6,2 x 4,3 m galvanised

## LOGBOOK

(Onderstaand logboek kan gebruikt worden om te voldoen aan de eisen, gesteld in artikel 14 van het Warenwetbesluit Attractie- en Speeltoestellen)

Type indication	Sports equipment
Product code	SOLE030.313
Name of equipment	Pannaveld 6,2 x 4,3m verzinkt
Maximum height of fall	n.a.
Year of construction	2017
Certificate	0183402366
inspection authority	NVT -
Name manufacturer	BOERplay Hyacintstraat 2 - 4255 HX Nieuwendijk Phone: +31 (0)183 40 23 66 Fax: +31 (0)183 40 35 64
name installer	_____ _____
Description of equipment	Minicourt 6,2 x 4,3 m galvanised
Location of equipment	_____
Data about the owner of the play equipment	
Name:	_____
Address:	_____
Postcode and town:	_____
Contact person:	_____
Telephone number:	_____
Data about the administrator of the play equipment	
Name:	_____
Address:	_____
Postcode and town:	_____
Contact person:	_____
Telephone number:	_____

# LOGBOOK

## Inspection and maintenance intervals



Nr.	Inspection	Maintenance	months between inspections
1	Verify equipment's stability, junctions and missing parts. Inspect bolts, screws and nuts for absence, jams, corrosion and wear.	Add missing parts, secure joints, apply missing fixing agent and replace corroded parts.	1
2	Check suspension for wear.	Replace worn parts and/or remove non-functioning parts.	1
3	Inspect rotating parts such as hinges, rolling-element bearings, etc. for wear and acceptability.	Replace worn parts and/or remove non-functioning parts.	1
4	Check wood for splinters, unacceptable damage and signs of rot. Especially at ground level.	Repair damage. Replace affected wood. Smoothen splintered wood and sharp edges.	1
5	Inspect foundation for stability, tearing and coverage.	Restore foundation and covering material.	3
6	Examine rubber and synthetic parts for wear, damage and break.	Replace original parts.	3
7	Inspect metal for corrosion and damage in the coating.	Restore any damaged coating (after removing rust and applying primer).	6
8	Check ropes, cables, chains and nets for wear and damage. Steel cables and nets which are tensioned must be checked for tension.	Replace parts where necessary. Steel cables and nets must be tensioned.	3
9	Inspect equipment for unsafe changes and additions.	Remove unsafe additions and correct unsafe changes.	1
10	Inspect safety surfaces.	Restore and repair where necessary.	1

## Remarks

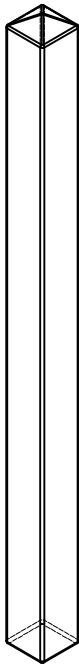
1. If used intensively, all points require extra attention.
2. Extreme weather conditions and locations may require a higher inspection frequency. Discuss this with the supplier.
3. Vandalism-sensitive locations require stricter inspections, possibly daily.
4. Check the terrain regularly for items that do not belong there, are unsafe or may be used wrongly. Examples are poisonous plants, glass shards, etc. Frequency depends on strain.
5. Remember that bad maintenance leads to unsafe conditions and notably faster impoverishment of the playground area.
6. Replacement parts can be ordered at the manufacturer with the part numbers on the module drawing. Drawings can be found in de user guide.
7. The impact area shall be provided with impact attenuating surface according to the specified falling height.
8. This list is conform the CEN-standard "playground equipment and surfacing NEN-EN 1176-7".



Dit toestel is geen speeltoestel conform het warenwetbesluit attractie- en speeltoestellen, en is dus niet als zodanig gecertificeerd.

*This equipment is not playground equipment, so it has not been certified as such.*



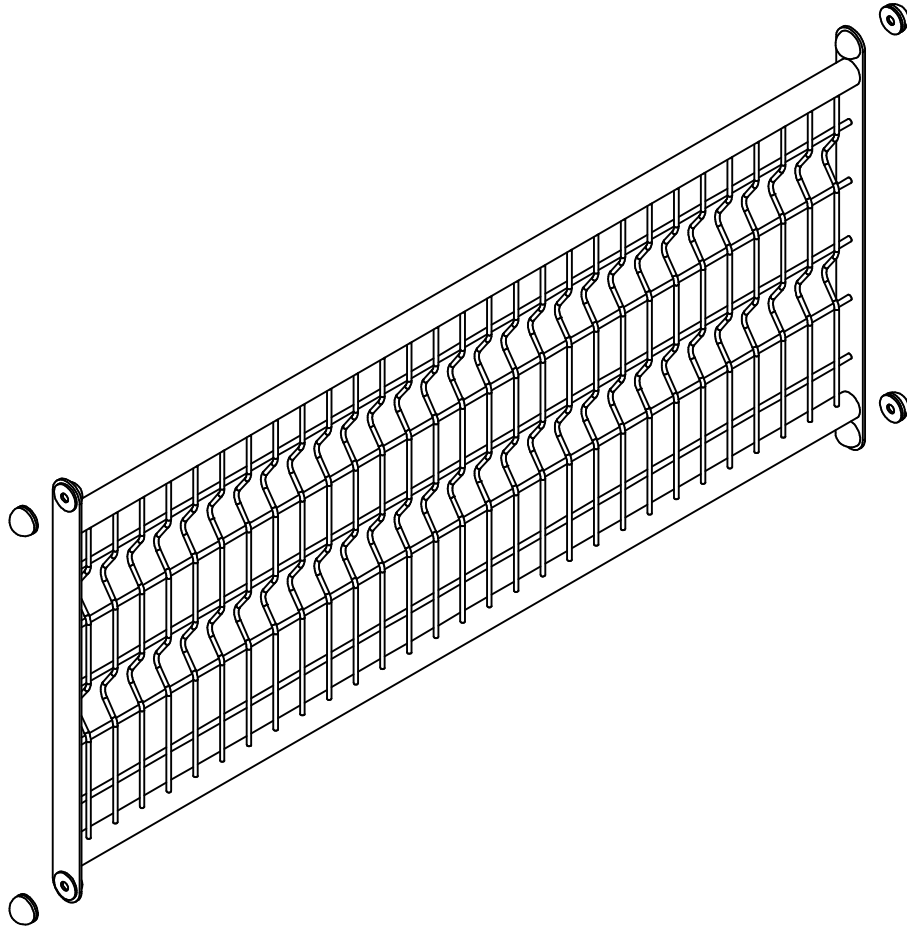


Benaming <i>Title</i>	Stander panna
Opmerking <i>Comment</i>	Kort
Datum <i>Date</i>	11-12-2013

Tekening  
*Drawing*

MOD DRD 001 001

Samenstelling module *Assembly module*

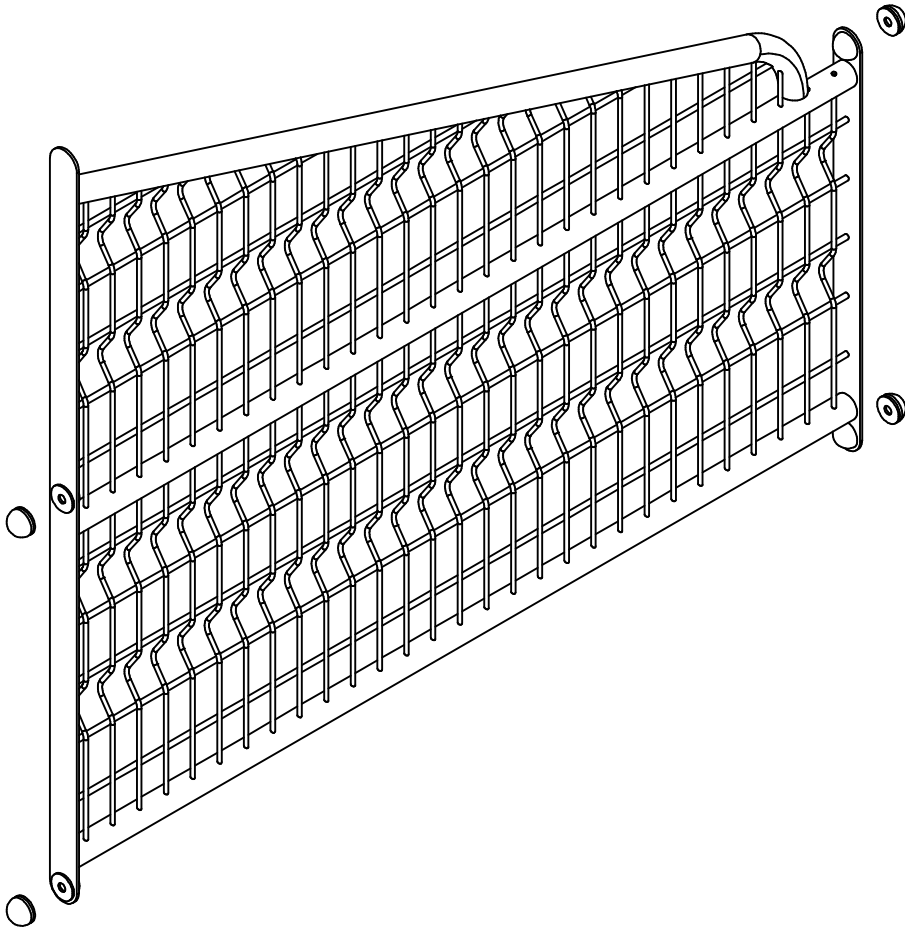


Benaming Title	BENAMING
Opmerking Comment	OPMERKING
Datum Date	23-2-2015

Tekening  
Drawing

MOD DRD 002 003

Samenstelling module *Assembly module*



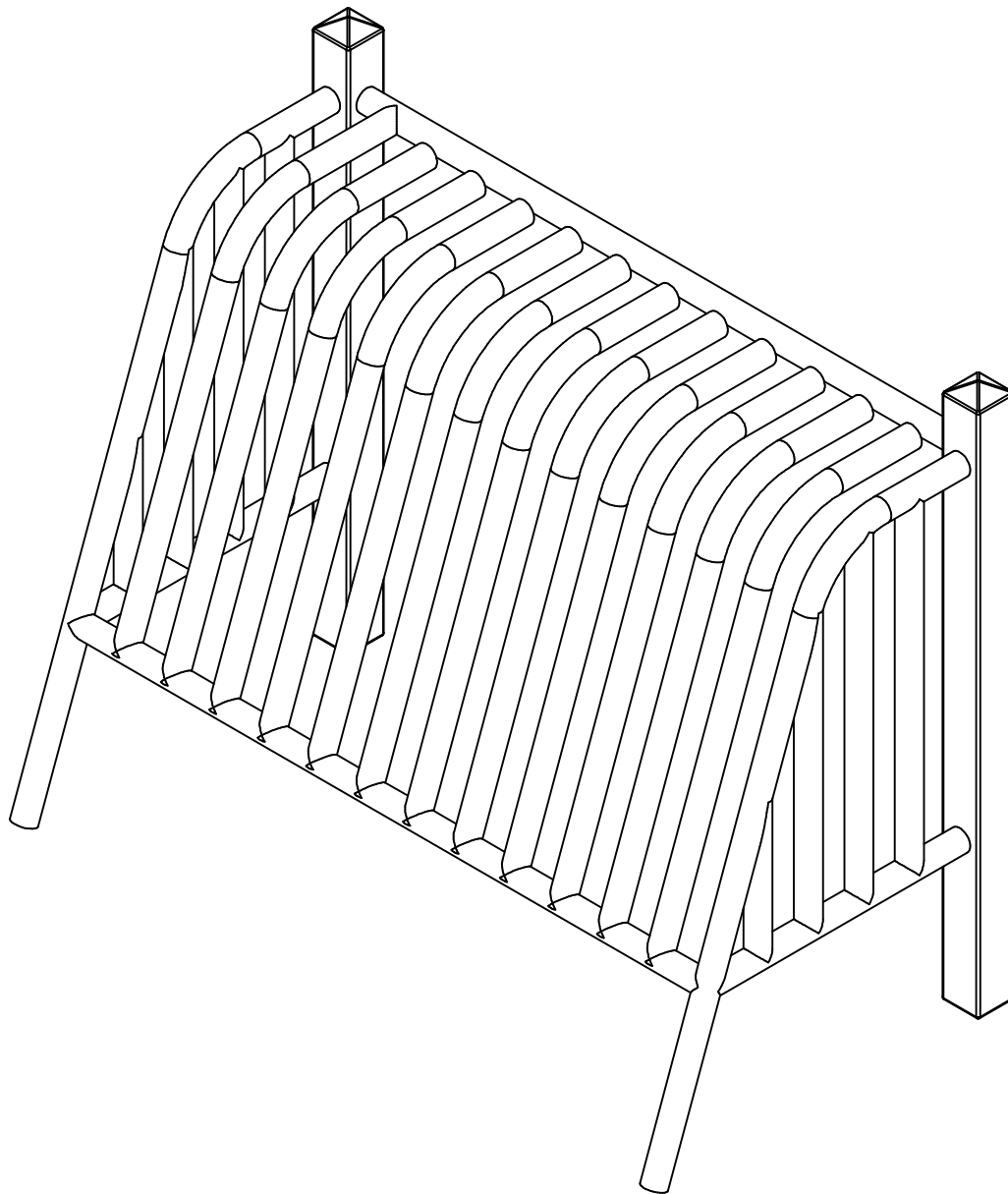
Benaming Title	Hek pann
Opmerking Comment	Boog gaas
Datum Date	11-12-2013

Tekening  
Drawing

MOD DRD 002 006

Samenstelling module *Assembly module*



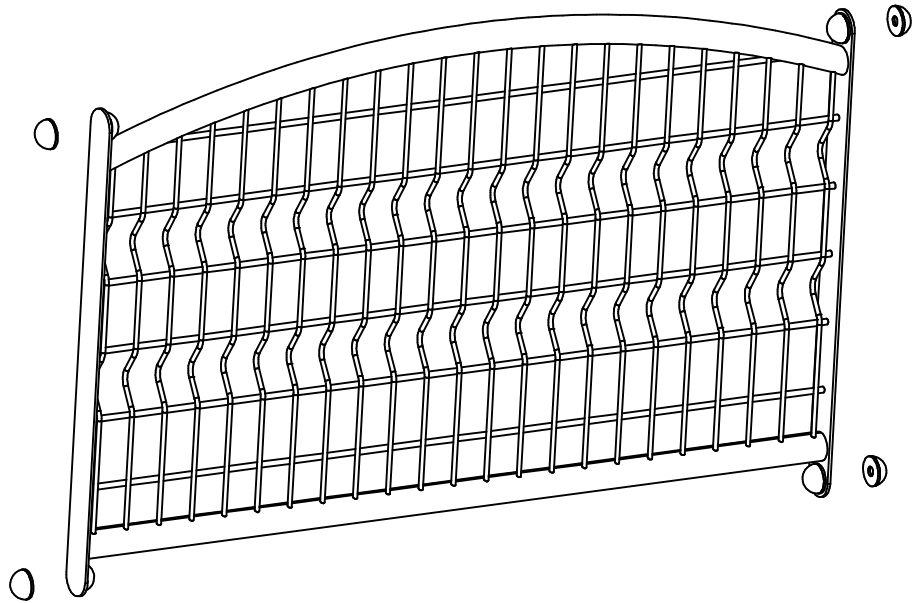


Benaming Title	Goal panna
Opmerking Comment	gecoat
Datum Date	23-2-2015

Tekening  
Drawing

MOD DRD 002 008

Samenstelling module *Assembly module*



Benaming  
Title | BENAMING  
Opmerking  
Comment | OPMERKING  
Datum  
Date | 31-3-2015

Tekening  
Drawing

MOD DRD 002 009

Samenstelling module *Assembly module*