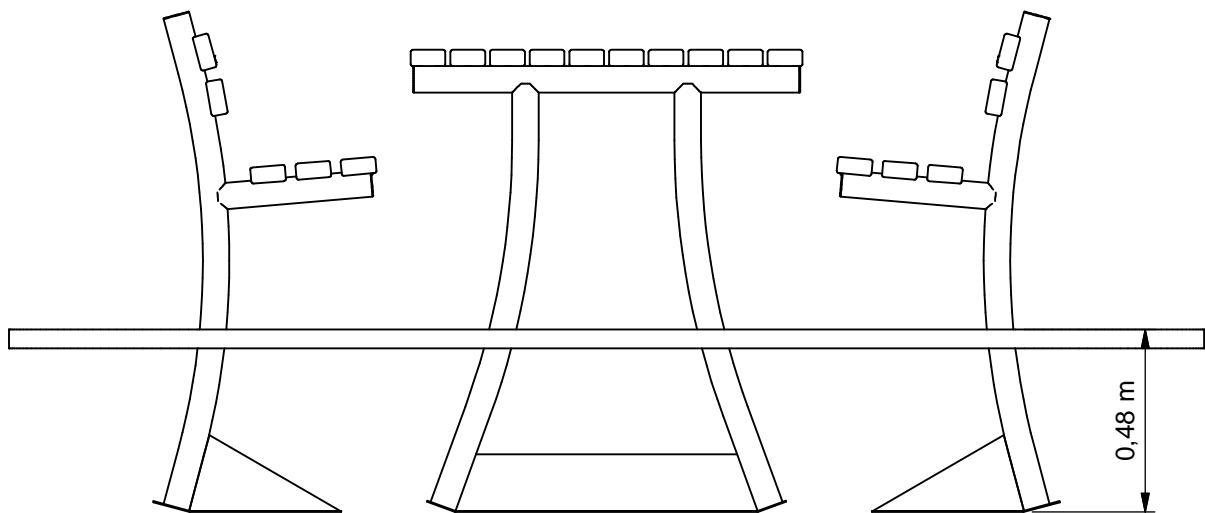
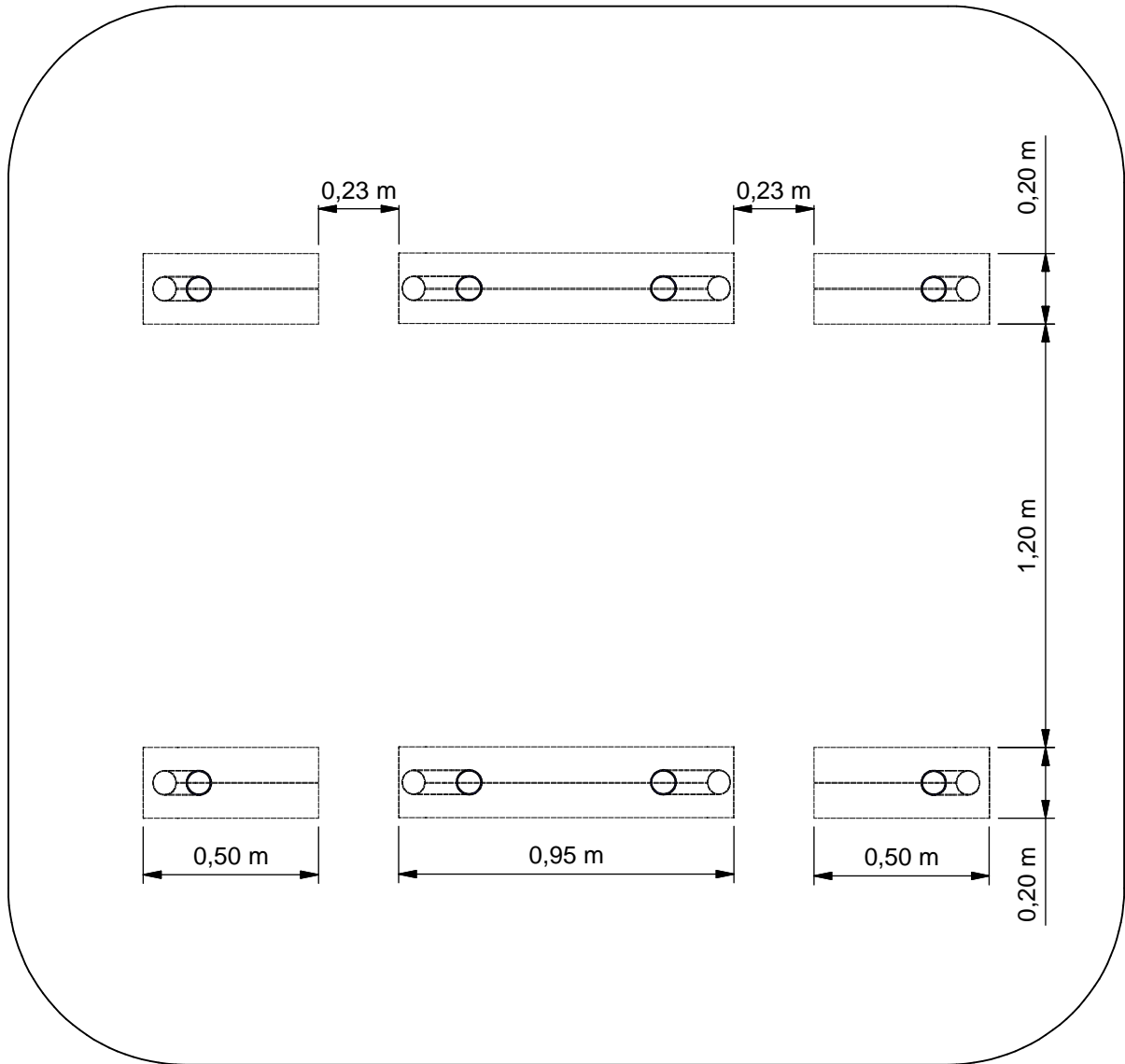


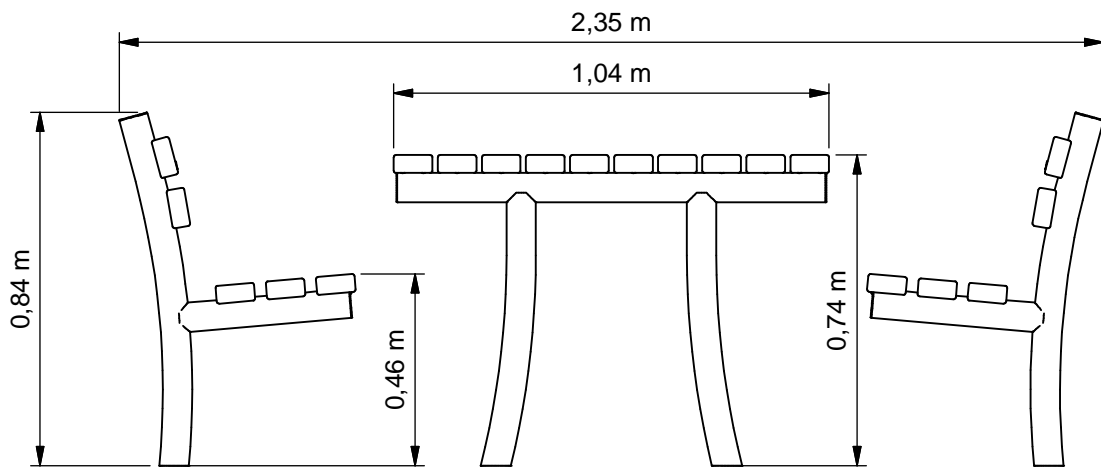
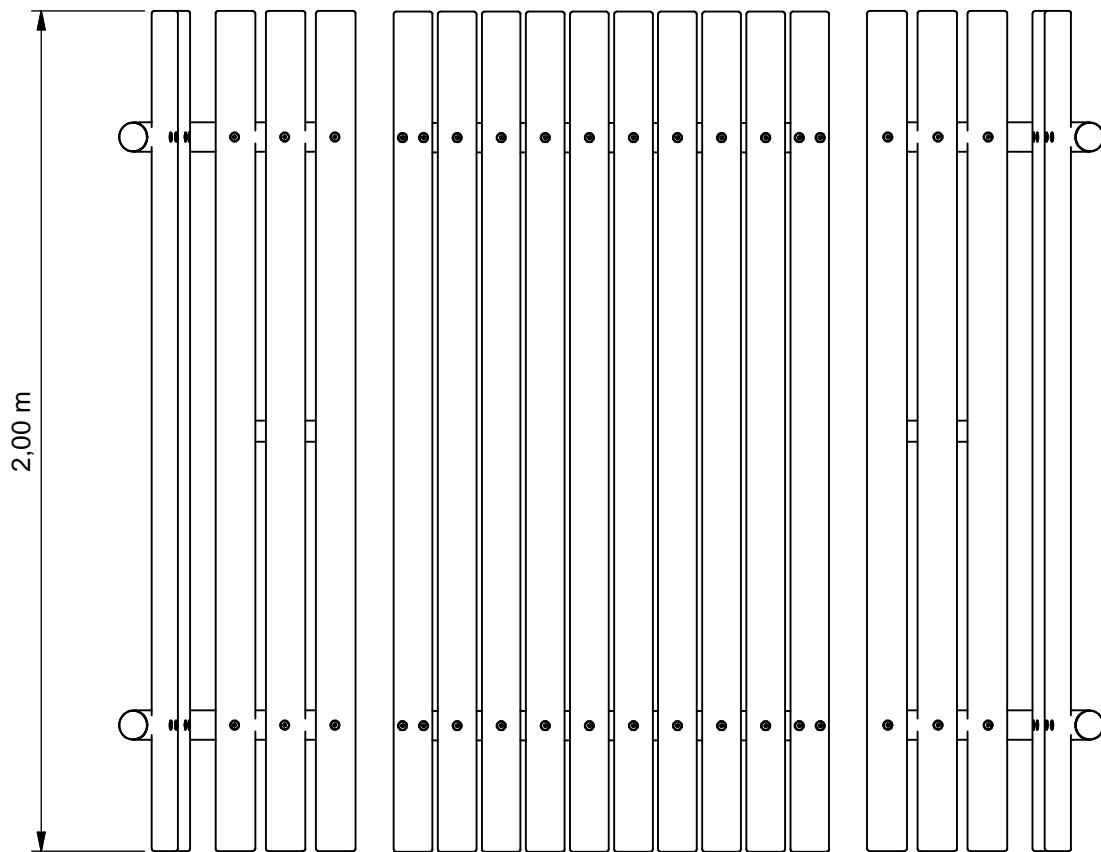


Oslo III Bench



PKNE040.023





Benaming
Title Tafel met twee banken

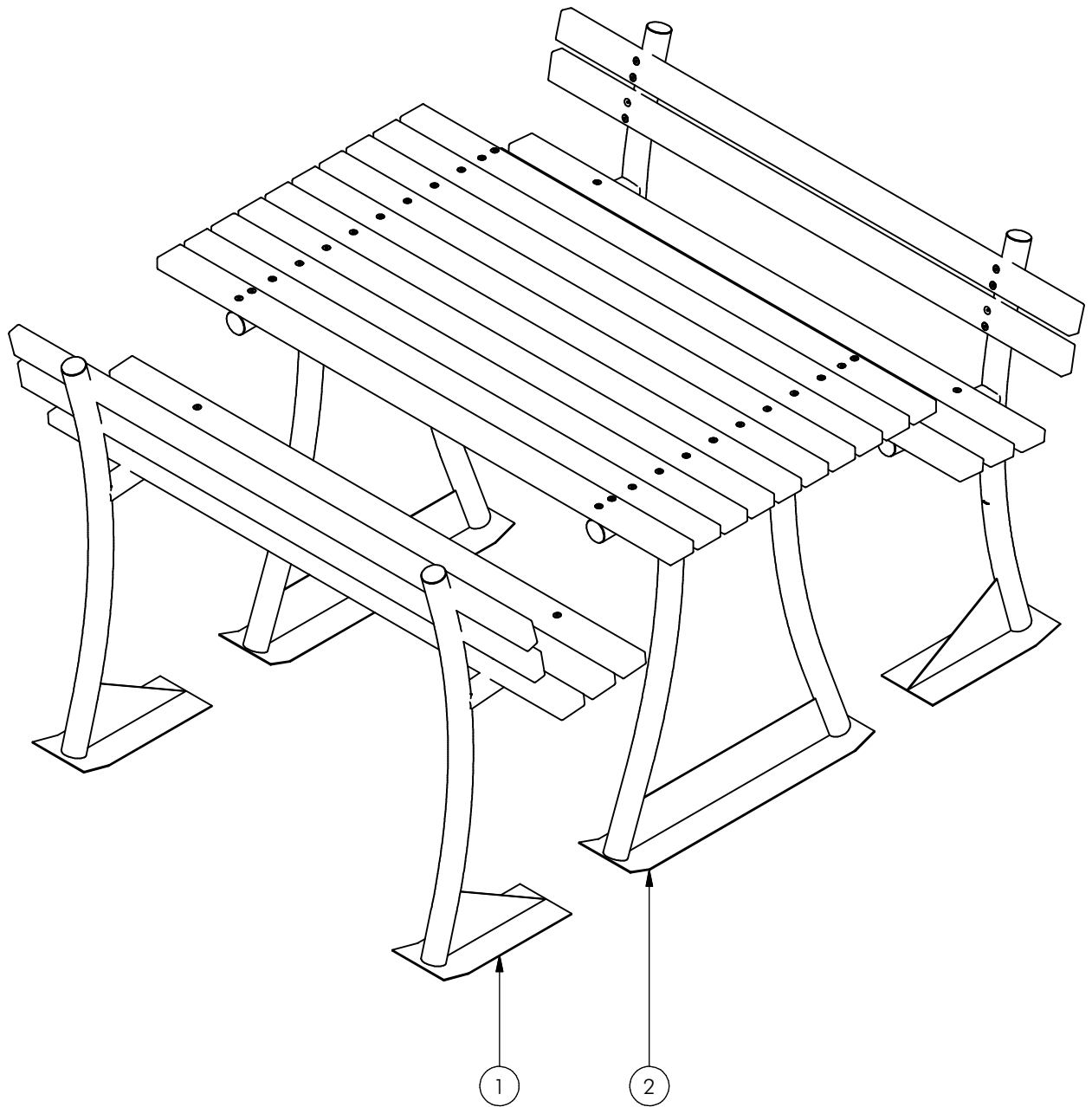
Opmerking
Comment Piknik

Datum
Date

Tekening
Drawing

TOE PKN 040 023

Afmetingen Dimensions



Nr	#	Type	Progr.	Volgnr	Bew.	Rev.	Benaming	Opmerking
1	2	MOD	PKN	040	020		BANK	HARDHOUT 2M
2	1	MOD	PKN	040	021		Tafel	Hardhout 2 meter



Benaming
Title Tafel met twee banken

Opmerking
Comment Piknik

Datum
Date

Tekening
Drawing

TOE PKN 040 023

Modules Modules

PKNE040.023

Oslo III Bench

LOGBOOK

(Onderstaand logboek kan gebruikt worden om te voldoen aan de eisen, gesteld in artikel 14 van het Warenwetbesluit Attractie- en Speeltoestellen)

Type indication	Streetfurniture
Product code	PKNE040.023
Name of equipment	Tafel twee banken Oslo III Har
Maximum height of fall	n.a.
Year of construction	2017
Certificate	0183402366
inspection authority	NVT -
Name manufacturer	BOERplay Hyacintstraat 2 - 4255 HX Nieuwendijk Phone: +31 (0)183 40 23 66 Fax: +31 (0)183 40 35 64
name installer	_____ _____
Description of equipment	Oslo III Bench
Location of equipment	_____
Data about the owner of the play equipment	
Name:	_____
Address:	_____
Postcode and town:	_____
Contact person:	_____
Telephone number:	_____
Data about the administrator of the play equipment	
Name:	_____
Address:	_____
Postcode and town:	_____
Contact person:	_____
Telephone number:	_____

LOGBOOK

Inspection and maintenance intervals



Nr.	Inspection	Maintenance	months between inspections
1	Verify equipment's stability, junctions and missing parts. Inspect bolts, screws and nuts for absence, jams, corrosion and wear.	Add missing parts, secure joints, apply missing fixing agent and replace corroded parts.	1
2	Check suspension for wear.	Replace worn parts and/or remove non-functioning parts.	1
3	Inspect rotating parts such as hinges, rolling-element bearings, etc. for wear and acceptability.	Replace worn parts and/or remove non-functioning parts.	1
4	Check wood for splinters, unacceptable damage and signs of rot. Especially at ground level.	Repair damage. Replace affected wood. Smoothen splintered wood and sharp edges.	1
5	Inspect foundation for stability, tearing and coverage.	Restore foundation and covering material.	3
6	Examine rubber and synthetic parts for wear, damage and break.	Replace original parts.	3
7	Inspect metal for corrosion and damage in the coating.	Restore any damaged coating (after removing rust and applying primer).	6
8	Check ropes, cables, chains and nets for wear and damage. Steel cables and nets which are tensioned must be checked for tension.	Replace parts where necessary. Steel cables and nets must be tensioned.	3
9	Inspect equipment for unsafe changes and additions.	Remove unsafe additions and correct unsafe changes.	1
10	Inspect safety surfaces.	Restore and repair where necessary.	1

Remarks

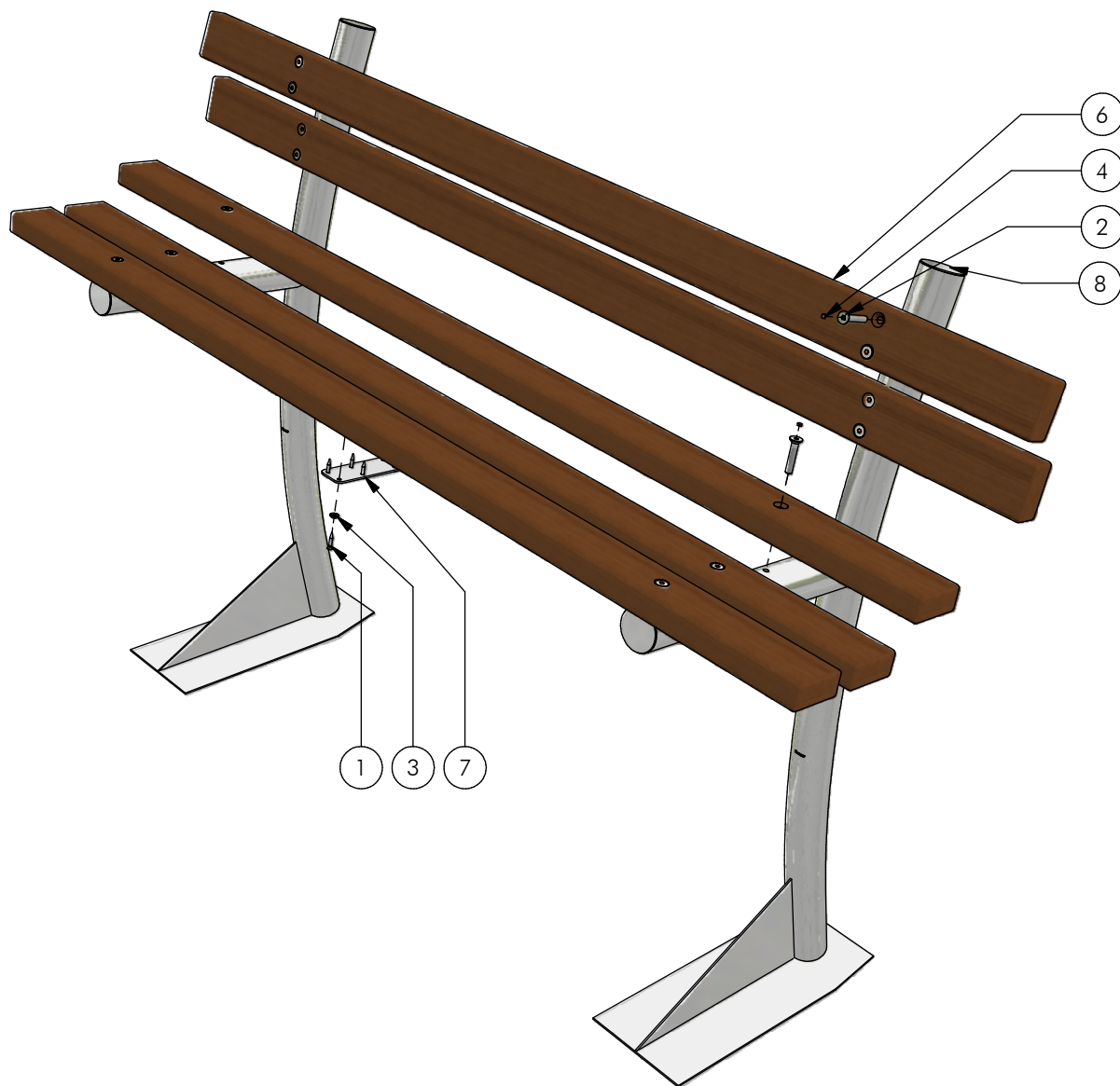
1. If used intensively, all points require extra attention.
2. Extreme weather conditions and locations may require a higher inspection frequency. Discuss this with the supplier.
3. Vandalism-sensitive locations require stricter inspections, possibly daily.
4. Check the terrain regularly for items that do not belong there, are unsafe or may be used wrongly. Examples are poisonous plants, glass shards, etc. Frequency depends on strain.
5. Remember that bad maintenance leads to unsafe conditions and notably faster impoverishment of the playground area.
6. Replacement parts can be ordered at the manufacturer with the part numbers on the module drawing. Drawings can be found in de user guide.
7. The impact area shall be provided with impact attenuating surface according to the specified falling height.
8. This list is conform the CEN-standard "playground equipment and surfacing NEN-EN 1176-7".



Dit toestel is geen speeltoestel conform het warenwetbesluit attractie- en speeltoestellen, en is dus niet als zodanig gecertificeerd.

This equipment is not playground equipment, so it has not been certified as such.





8	2	SME	PKN	011	320	A	FRAME BANK	GEBOGEN 70
7	1	OME	PKN	031	320		Verbindingstrip	Bank
6	2	OHO	PKN	002	HHT		PLANK	BANK 2M
5	3	OHO	PKN	001	HHT		PLANK	BANK 2M
4	14	KST	DOP	006	030		OPVULDOPJE	6 MM ROOD
3	12	BSR	036	005	015		KRAALRING	RVS FACET
2	14	BSR	024	010	055		BOUT VERZONKEN	M10 x 55
1	12	BSR	002	005	030		SCHROEF	5 x 30
POS	N	TYPE	PROJ.	NR.	BEH.	R	BENAMING	OPMERKING



Module **BANK**

Opmerking **HARDHOUT 2M**

Datum **29-1-2009**

Tekening

Wijziging

MOD PKN 040 020

Verbindingstrip toegevoegd



5	2	SME	PKN	012	320	A	TAFELFRAME	BUIS 70
4	2	OHO	PKN	002	HHT		PLANK	BANK 2M
3	8	OHO	PKN	001	HHT		PLANK	BANK 2M
2	24	KST	DOP	006	030		OPVULDOPJE	6 MM ROOD
1	24	BSR	024	010	055		BOUT VERZONKEN	M10 x 55
POS	N	TYPE	PROJ.	NR.	BEH.	R	BENAMING	OPMERKING



Module TAFEL

Opmerking HARDHOUT 2M

Datum 17-3-2006

Tekening

Wijziging

MOD PKN 040 021