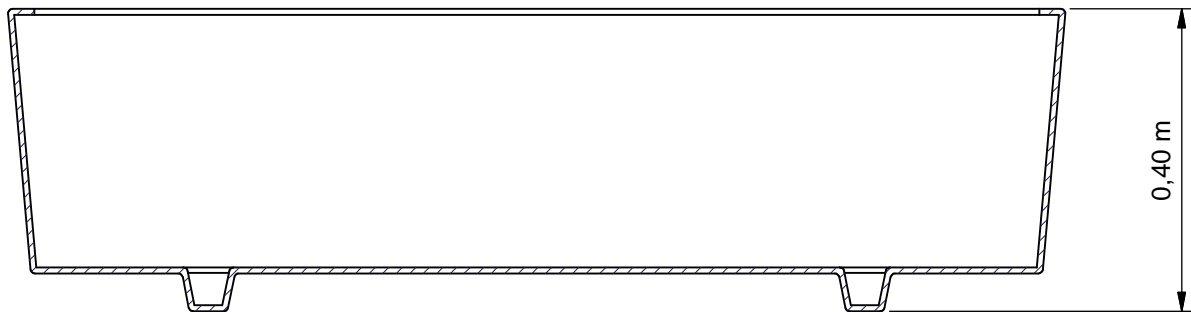
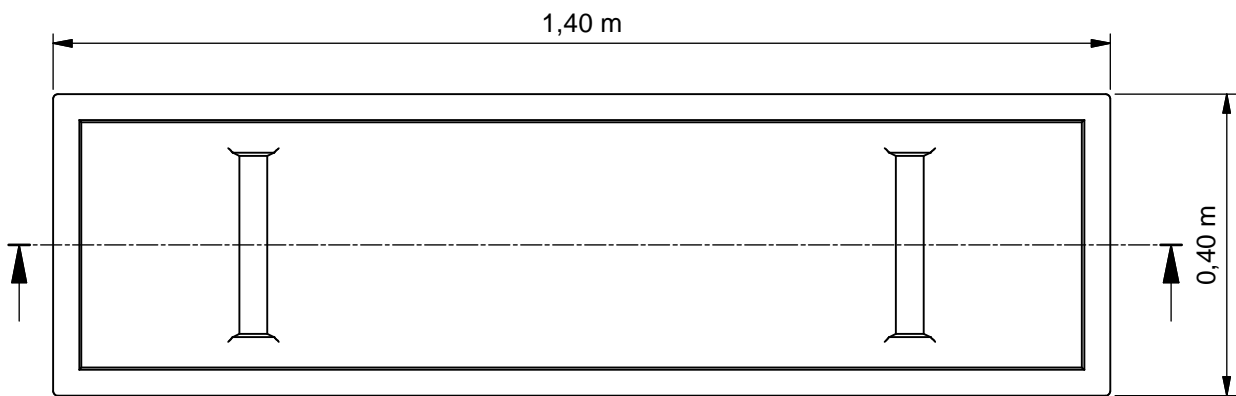
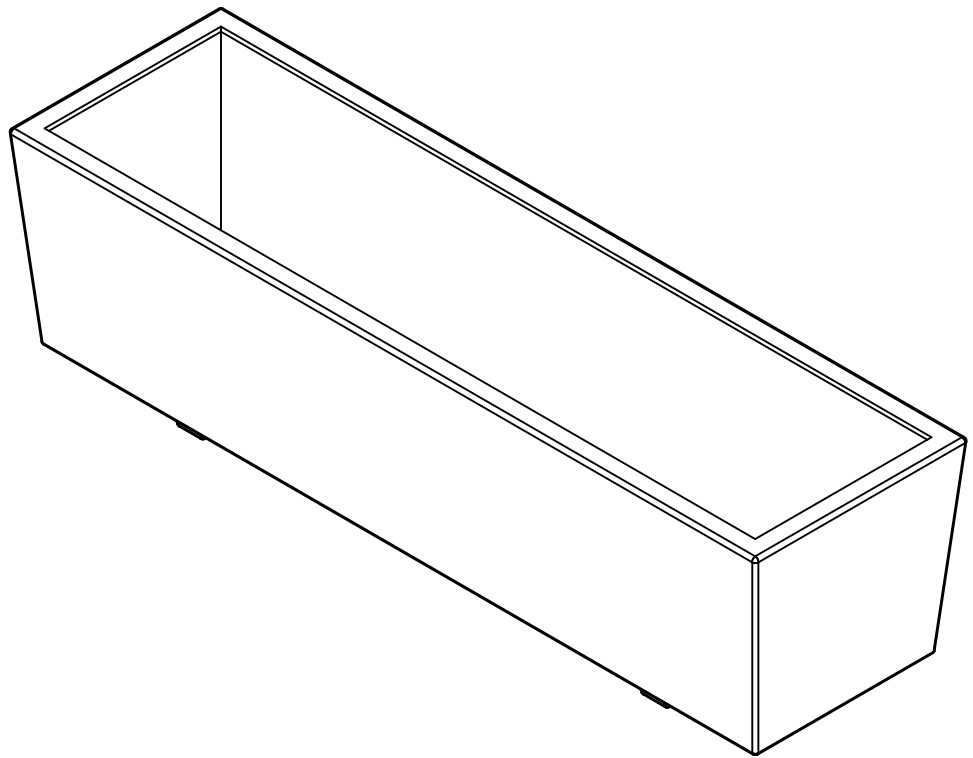




Planter Noordwijk



PKNE205.724



Benaming
Title Noordwijk
Opmerking
Comment Op pootjes
Datum
Date 12-11-2015

Tekening
Drawing

TOE PKN 205 724

Hoofdafmetingen *Main dimensions*

PKNE205.724

Planter Noordwijk

LOGBOOK

(Onderstaand logboek kan gebruikt worden om te voldoen aan de eisen, gesteld in artikel 14 van het Warenwetbesluit Attractie- en Speeltoestellen)

| | |
|------------------------|---|
| Type indication | Flower- and treeplanters |
| Product code | PKNE205.724 |
| Name of equipment | Bloembak NOORDWIJK Antraciet |
| Maximum height of fall | n.a. |
| Year of construction | 2017 |
| Certificate | 0183402366 |
| inspection authority | NVT - |
| Name manufacturer | BOERplay Hyacintstraat 2 - 4255 HX Nieuwendijk Phone: +31 (0)183 40 23 66 Fax: +31 (0)183 40 35 64 |

name installer

Description of equipment

Planter Noordwijk

Location of equipment

Data about the owner of the play equipment

Name:

Address:

Postcode and town:

Contact person:

Telephone number:

Data about the administrator of the play equipment

Name:

Address:

Postcode and town:

Contact person:

Telephone number:

LOGBOOK

Inspection and maintenance intervals



| Nr. | Inspection | Maintenance | months between inspections |
|-----|--|--|----------------------------|
| 1 | Verify equipment's stability, junctions and missing parts. Inspect bolts, screws and nuts for absence, jams, corrosion and wear. | Add missing parts, secure joints, apply missing fixing agent and replace corroded parts. | 1 |
| 2 | Check suspension for wear. | Replace worn parts and/or remove non-functioning parts. | 1 |
| 3 | Inspect rotating parts such as hinges, rolling-element bearings, etc. for wear and acceptability. | Replace worn parts and/or remove non-functioning parts. | 1 |
| 4 | Check wood for splinters, unacceptable damage and signs of rot. Especially at ground level. | Repair damage. Replace affected wood. Smoothen splintered wood and sharp edges. | 1 |
| 5 | Inspect foundation for stability, tearing and coverage. | Restore foundation and covering material. | 3 |
| 6 | Examine rubber and synthetic parts for wear, damage and break. | Replace original parts. | 3 |
| 7 | Inspect metal for corrosion and damage in the coating. | Restore any damaged coating (after removing rust and applying primer). | 6 |
| 8 | Check ropes, cables, chains and nets for wear and damage. Steel cables and nets which are tensioned must be checked for tension. | Replace parts where necessary. Steel cables and nets must be tensioned. | 3 |
| 9 | Inspect equipment for unsafe changes and additions. | Remove unsafe additions and correct unsafe changes. | 1 |
| 10 | Inspect safety surfaces. | Restore and repair where necessary. | 1 |

Remarks

1. If used intensively, all points require extra attention.
2. Extreme weather conditions and locations may require a higher inspection frequency. Discuss this with the supplier.
3. Vandalism-sensitive locations require stricter inspections, possibly daily.
4. Check the terrain regularly for items that do not belong there, are unsafe or may be used wrongly. Examples are poisonous plants, glass shards, etc. Frequency depends on strain.
5. Remember that bad maintenance leads to unsafe conditions and notably faster impoverishment of the playground area.
6. Replacement parts can be ordered at the manufacturer with the part numbers on the module drawing. Drawings can be found in de user guide.
7. The impact area shall be provided with impact attenuating surface according to the specified falling height.
8. This list is conform the CEN-standard "playground equipment and surfacing NEN-EN 1176-7".



Dit toestel is geen speeltoestel conform het warenwetbesluit attractie- en speeltoestellen, en is dus niet als zodanig gecertificeerd.

This equipment is not playground equipment, so it has not been certified as such.

