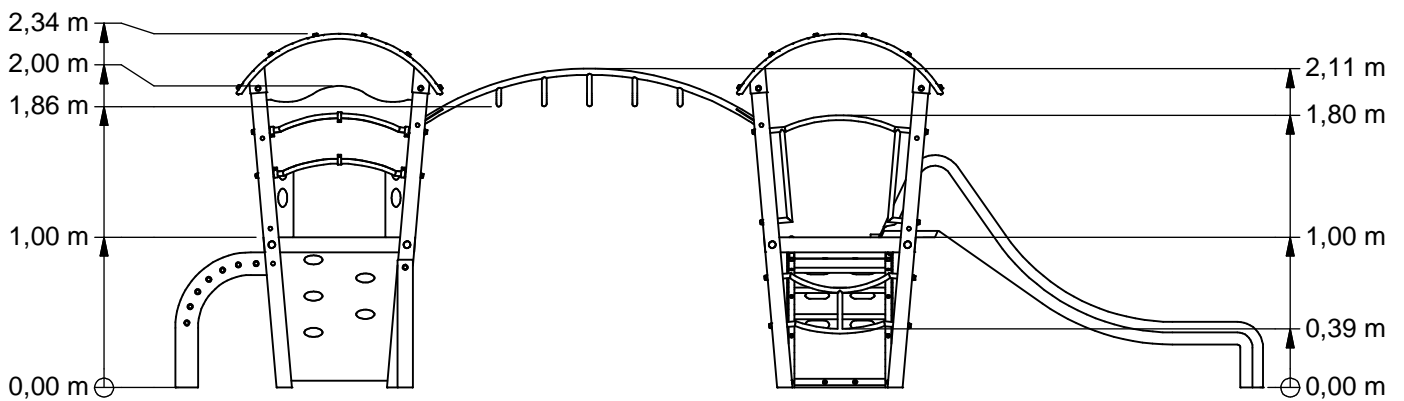
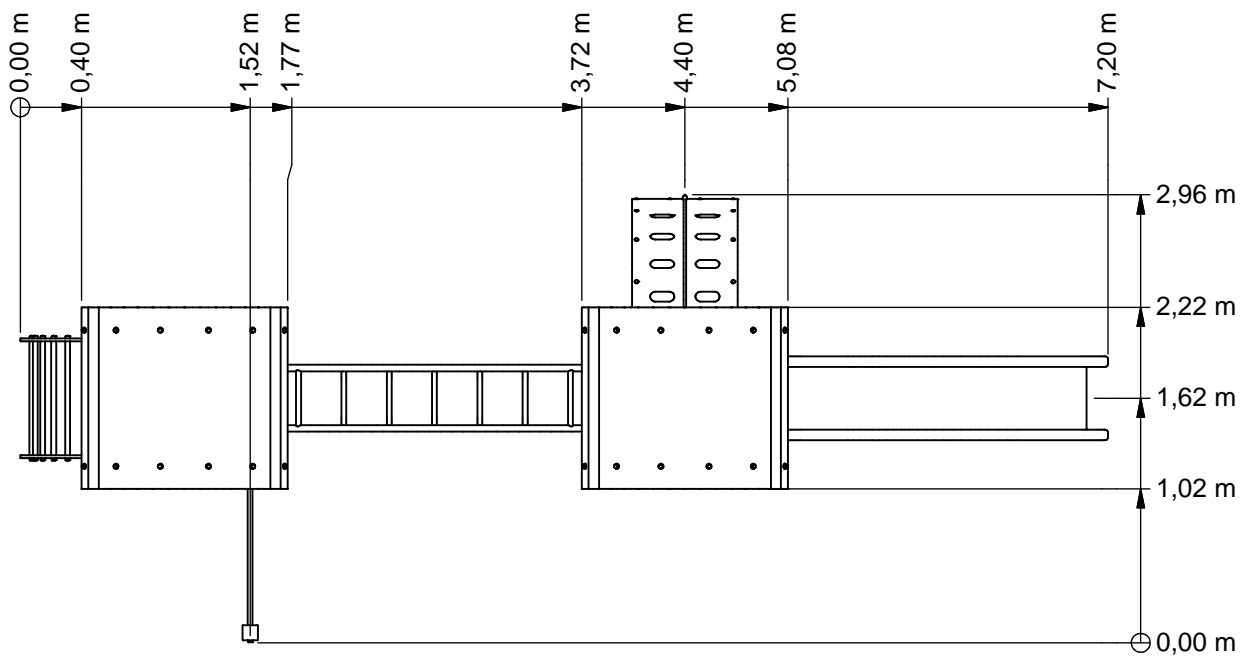




Combination equipment



FRPE505.001



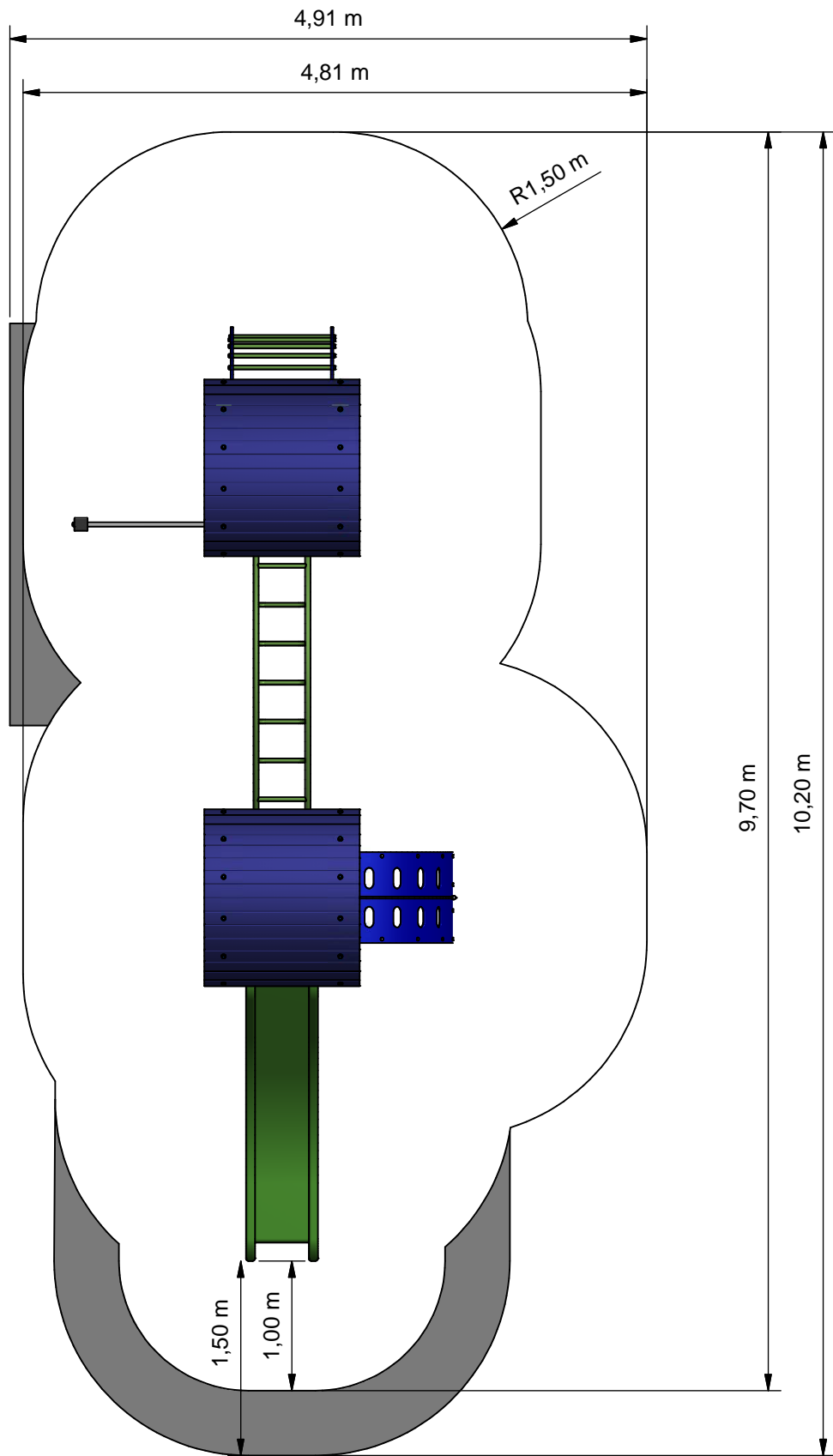
Benaming
Title Klimklautertoestel

Opmerking
Comment Freeplay

Datum
Date 13-3-2013

Tekening
Drawing

TOE FRP 505 001 C
 Hoofdafmetingen Main dimensions



- Opvangzone
Impact area
- Obstakelvrije zone
Obstacle free zone



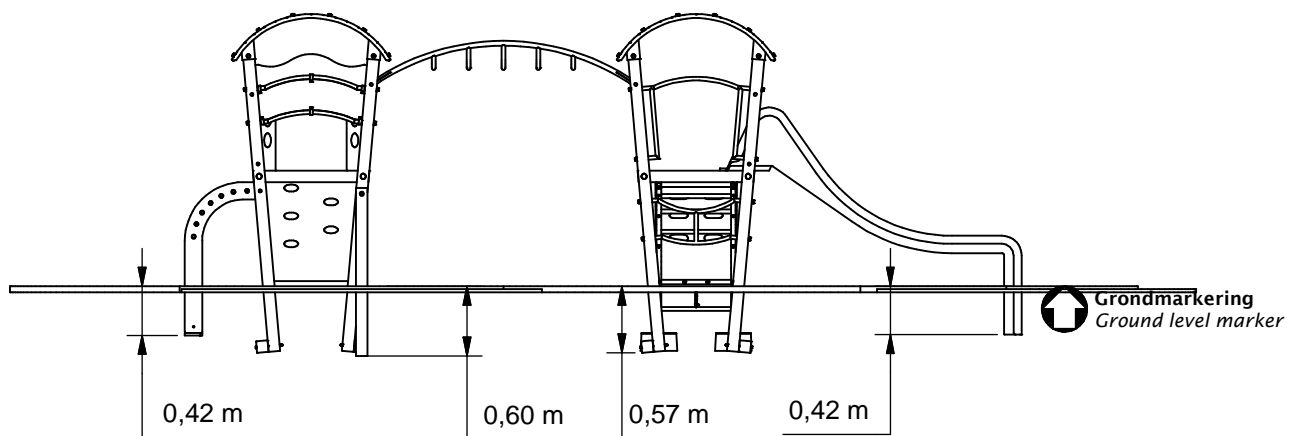
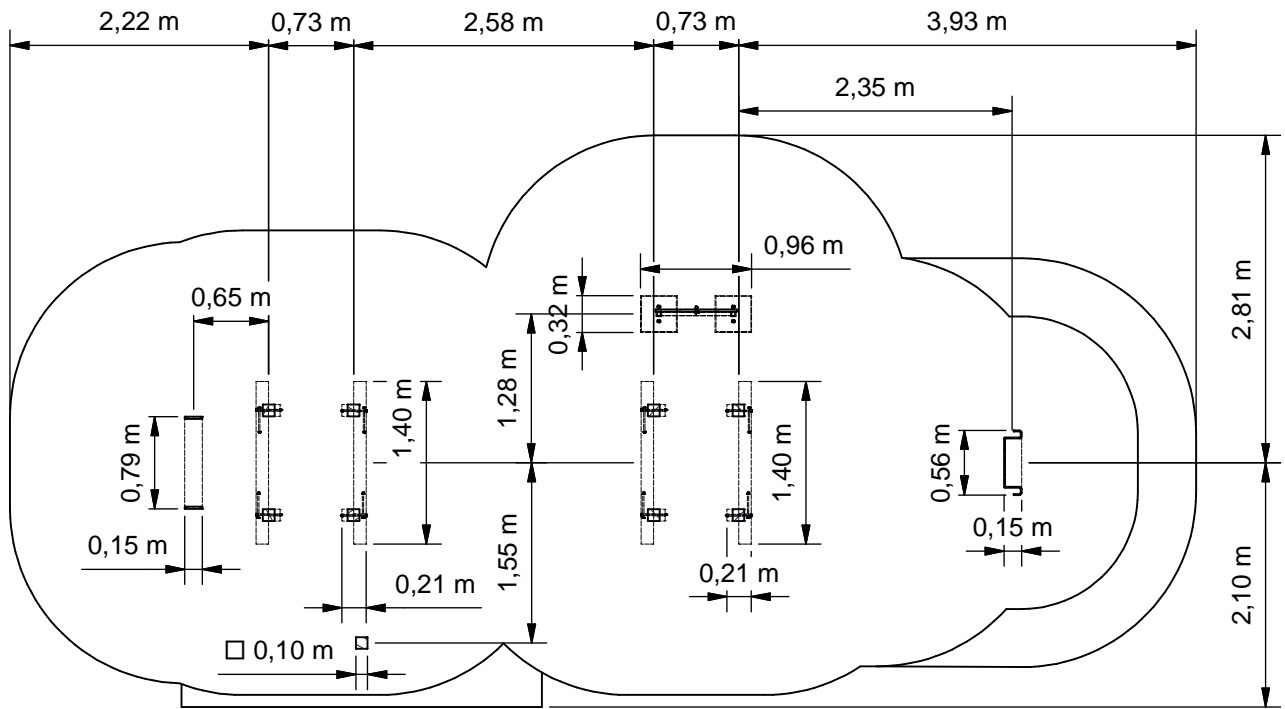
Benaming
Title Klimklautertoestel

Opmerking
Comment Freeplay

Datum
Date 13-3-2013

Tekening
Drawing

TOE FRP 505 001 C
Obstakelvrije zone *Obstacle free zone*



Benaming
Title Klimklautertoestel

Opmerking
Comment Freeplay

Datum
Date 13-3-2013

Tekening
Drawing

TOE FRP 505 001 C

Bodemplan Groundplan

Geleverde modules:

Zie tabel

Supplied modules:

See table

Montageinstructie:

- De modules (m.u.v. de glijbaan) kunnen correct geassembleerd worden met de voorgeboorde gaten, de glijbaan moet worden geassembleerd volgens de maten op het blad 'Hoofdafmetingen'.

Assembly instruction:

- The modules (except for the slide) can be assembled correctly using the predrilled holes, the slide should be assembled according to the dimensions at the sheet 'Main dimensions'.

Montagevolgorde:

- 1 - Graaf de gaten volgens het bodemplan
- 2 - Assembleer toren 1 (1,2,3,5,6,13,15)
- 3 - Assembleer toren 2 (1,2,4(2x),12,14,15)
- 4 - Plaats toren 1 en 2, verbind deze met 10
- 5 - Plaats 7,8,9,11 en verbind deze aan de torens
- 6 - Controleer of het toestel voldoet aan de afmetingen zoals op blad 'afmetingen'
- 7 - Dicht de gaten en verdicht het zand

Assembly sequence:

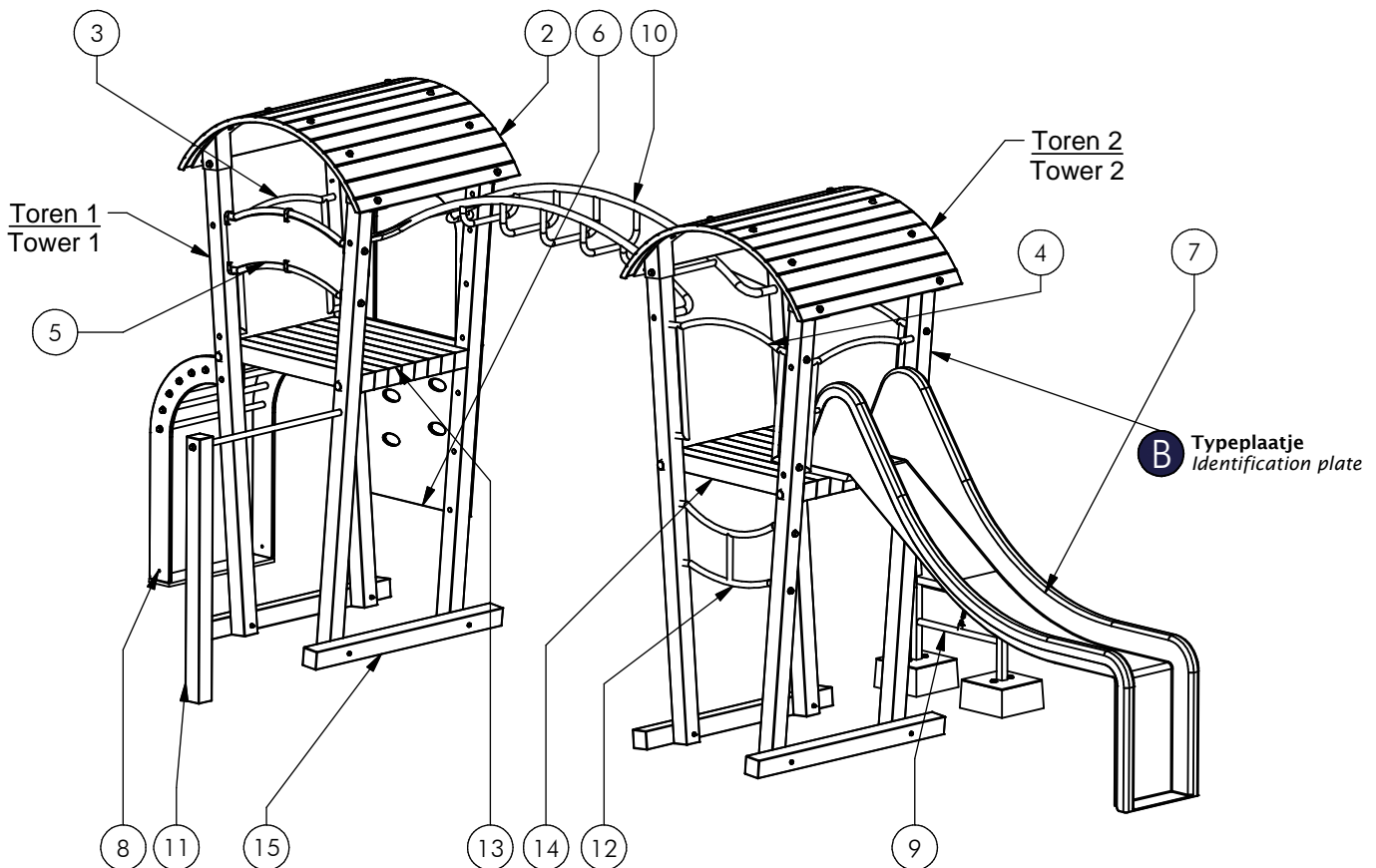
- 1 - Dig the holes according to the ground plan
- 2 - Assemble tower 1 (1,2,3,5,6,13,15)
- 3 - Assemble tower 2 (1,2,4(2x),12,14,15)
- 4 - Place tower 1 and 2, connect with 10
- 5 - Place 7,8,9,11 and attach it to tower
- 6 - Check that the equipment conforms to the dimensions shown on sheet 'dimensions'
- 7 - Close the holes and compact the sand

Controles:

- 1 - Correcte opbouw en alle bevestigingsmiddelen
- 2 - Controleer de afmetingen van de valbodem t.o.v. het toestel
- 3 - Controleer hoogte uitloop van de glijbaan (<350mm)

Checks:

- 1 - Correct assembly and all the fasteners
- 2 - Check the dimensions of the safety area with regard to the play equipment
- 3 - Check height of outlet of the slide (<350mm)



| Nr | # | Type | Progr. | Volgnr | Bew. | Rev. | Benaming | Opmerking |
|----|---|------|--------|--------|------|------|---------------------|---------------------|
| 1 | 1 | MOD | FRP | 505 | 001 | | Staanders | |
| 2 | 2 | MOD | FRP | KST | 001 | | Dak | Freeplay |
| 3 | 1 | MOD | FRP | KST | 005 | | Portaal recht | Freeplay |
| 4 | 2 | MOD | FRP | KST | 006 | | Portaal schuin | Freeplay |
| 5 | 1 | MOD | FRP | KST | 008 | | Wandje railing | Freeplay |
| 6 | 1 | MOD | FRP | KST | 023 | A | Onderplaat klimwand | Freeplay |
| 7 | 1 | MOD | FRP | KST | 030 | | Glijbaan | Freeplay |
| 8 | 1 | MOD | FRP | KST | 032 | | Klimboog | Freeplay |
| 9 | 1 | MOD | FRP | KST | 036 | A | Oploopje | Freeplay |
| 10 | 1 | MOD | FRP | KST | 050 | | Enterrek recht | Freeplay |
| 11 | 1 | MOD | FRP | KST | 056 | B | Aanbouwduikel | Freeplay |
| 12 | 1 | MOD | FRP | KST | 061 | | Tredestangen | Freeplay |
| 13 | 1 | MOD | FRP | KST | 077 | | Vloer 995 mm | Standaard |
| 14 | 1 | MOD | FRP | KST | 079 | | Vloer 995 mm | Vloer Klimwand/boog |
| 15 | 2 | MOD | FRP | KST | 080 | | Schoren | incl. bevestiging |

Benaming
Title KlimklautertoestelOpmerking
Comment FreeplayDatum
Date 13-3-2013Tekening
Drawing

TOE FRP 505 001 C

Modules Modules

FRPE505.001

Combination equipment

LOGBOOK

(Onderstaand logboek kan gebruikt worden om te voldoen aan de eisen, gesteld in artikel 14 van het Warenwetbesluit Attractie- en Speeltoestellen)

| | |
|--|---|
| Type indication | Free Play |
| Product code | FRPE505.001 |
| Name of equipment | Klimklautertoestel |
| Maximum height of fall | 1,9 m |
| Year of construction | 2017 |
| Certificate | 631083 |
| inspection authority | Aib Vincotte Nederland Takkebijsters 8, Breda - 4817 BL Breda |
| Name manufacturer | BOERplay Hyacintstraat 2 - 4255 HX Nieuwendijk Phone: +31 (0)183 40 23 66 Fax: +31 (0)183 40 35 64 |
| name installer | _____ _____ |
| Description of equipment | Combination equipment |
| Location of equipment | _____ |
| Data about the owner of the play equipment | |
| Name: | _____ |
| Address: | _____ |
| Postcode and town: | _____ |
| Contact person: | _____ |
| Telephone number: | _____ |
| Data about the administrator of the play equipment | |
| Name: | _____ |
| Address: | _____ |
| Postcode and town: | _____ |
| Contact person: | _____ |
| Telephone number: | _____ |

LOGBOOK

Inspection and maintenance intervals



| Nr. | Inspection | Maintenance | months between inspections |
|-----|--|--|----------------------------|
| 1 | Verify equipment's stability, junctions and missing parts. Inspect bolts, screws and nuts for absence, jams, corrosion and wear. | Add missing parts, secure joints, apply missing fixing agent and replace corroded parts. | 1 |
| 2 | Check suspension for wear. | Replace worn parts and/or remove non-functioning parts. | 1 |
| 3 | Inspect rotating parts such as hinges, rolling-element bearings, etc. for wear and acceptability. | Replace worn parts and/or remove non-functioning parts. | 1 |
| 4 | Check wood for splinters, unacceptable damage and signs of rot. Especially at ground level. | Repair damage. Replace affected wood. Smoothen splintered wood and sharp edges. | 1 |
| 5 | Inspect foundation for stability, tearing and coverage. | Restore foundation and covering material. | 3 |
| 6 | Examine rubber and synthetic parts for wear, damage and break. | Replace original parts. | 3 |
| 7 | Inspect metal for corrosion and damage in the coating. | Restore any damaged coating (after removing rust and applying primer). | 6 |
| 8 | Check ropes, cables, chains and nets for wear and damage. Steel cables and nets which are tensioned must be checked for tension. | Replace parts where necessary. Steel cables and nets must be tensioned. | 3 |
| 9 | Inspect equipment for unsafe changes and additions. | Remove unsafe additions and correct unsafe changes. | 1 |
| 10 | Inspect safety surfaces. | Restore and repair where necessary. | 1 |

Remarks

1. If used intensively, all points require extra attention.
2. Extreme weather conditions and locations may require a higher inspection frequency. Discuss this with the supplier.
3. Vandalism-sensitive locations require stricter inspections, possibly daily.
4. Check the terrain regularly for items that do not belong there, are unsafe or may be used wrongly. Examples are poisonous plants, glass shards, etc. Frequency depends on strain.
5. Remember that bad maintenance leads to unsafe conditions and notably faster impoverishment of the playground area.
6. Replacement parts can be ordered at the manufacturer with the part numbers on the module drawing. Drawings can be found in de user guide.
7. The impact area shall be provided with impact attenuating surface according to the specified falling height.
8. This list is conform the CEN-standard "playground equipment and surfacing NEN-EN 1176-7".

CERTIFICAAT VAN GOEDKEURING

Afgegeven door AIB-Vinçotte Nederland B.V., aangewezen bij ministeriële beschikking van het Ministerie van Volksgezondheid, Welzijn en Sport, van 29 maart 2001 onder kenmerk GZB/C&O/2162178.

Het certificaat betreft de keuring van een typekenmerkend speeltoestel.

Certificaat nr. : 631083
Afgifte datum cert. : 30 juli 2007
Dossier- rapport nr. : 631223
Datum keuring : 30 juli 2007
Betreft : Free Play *Type Nr.* : 37.1.505.XXXXX
Soort toestel : Combinatietoestel *NEN-EN 1176-1*
Eigenaar - houder :

Fabrikant : Boer Speeltoestellen B.V.
Postbus 10 4255 ZG NIEUWENDIJK (NL)

Jaar van fabricage :

Leverancier : Boer Speeltoestellen B.V.
Postbus 10 4255 ZG NIEUWENDIJK (NL)

Jaar van leverantie :

Dit certificaat is onbeperkt geldig

AIB-Vinçotte Nederland B.V. gevestigd aan de Heusing 2 te Breda, verklaart dat het bovenbeschreven toestel voldoet aan de vervaardigingsvoorschriften genoemd in het Warenwet Besluit "Attractie- en Speeltoestellen"

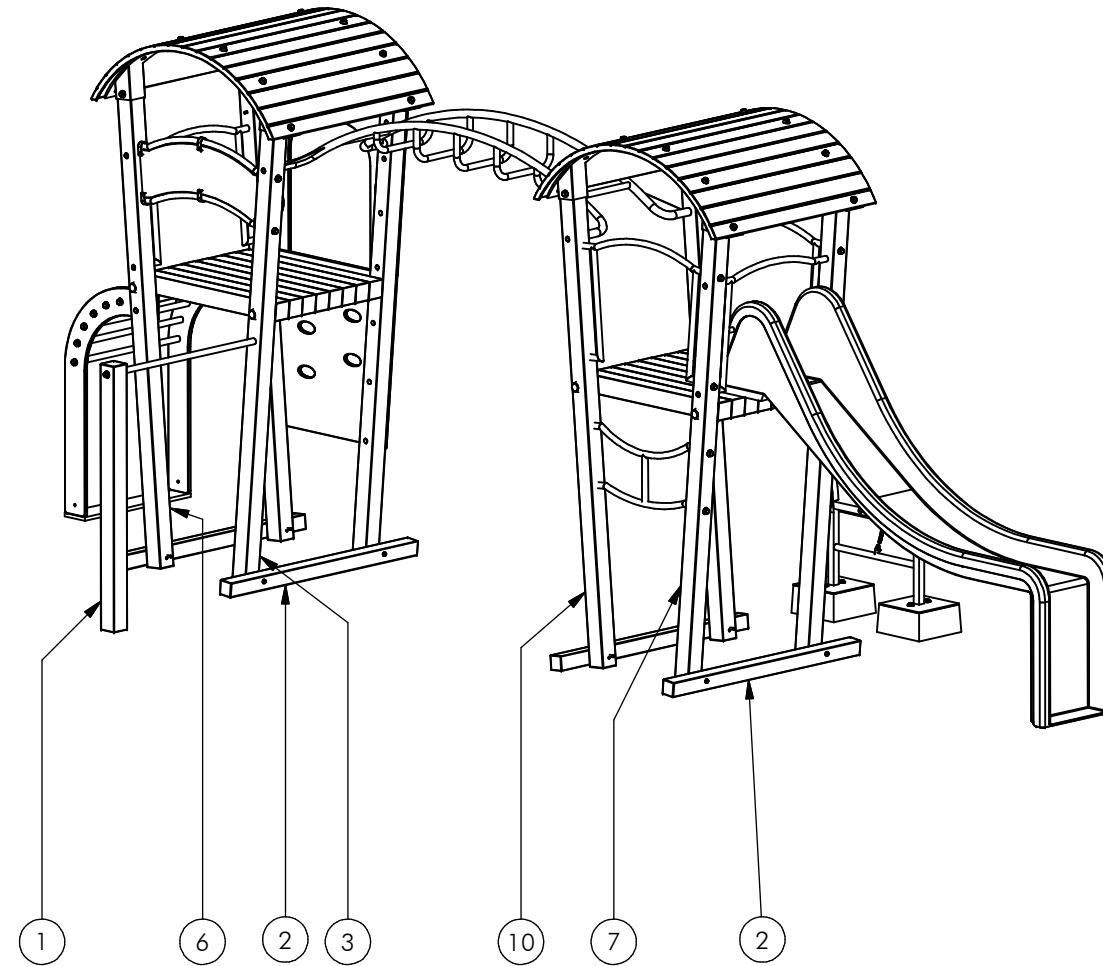
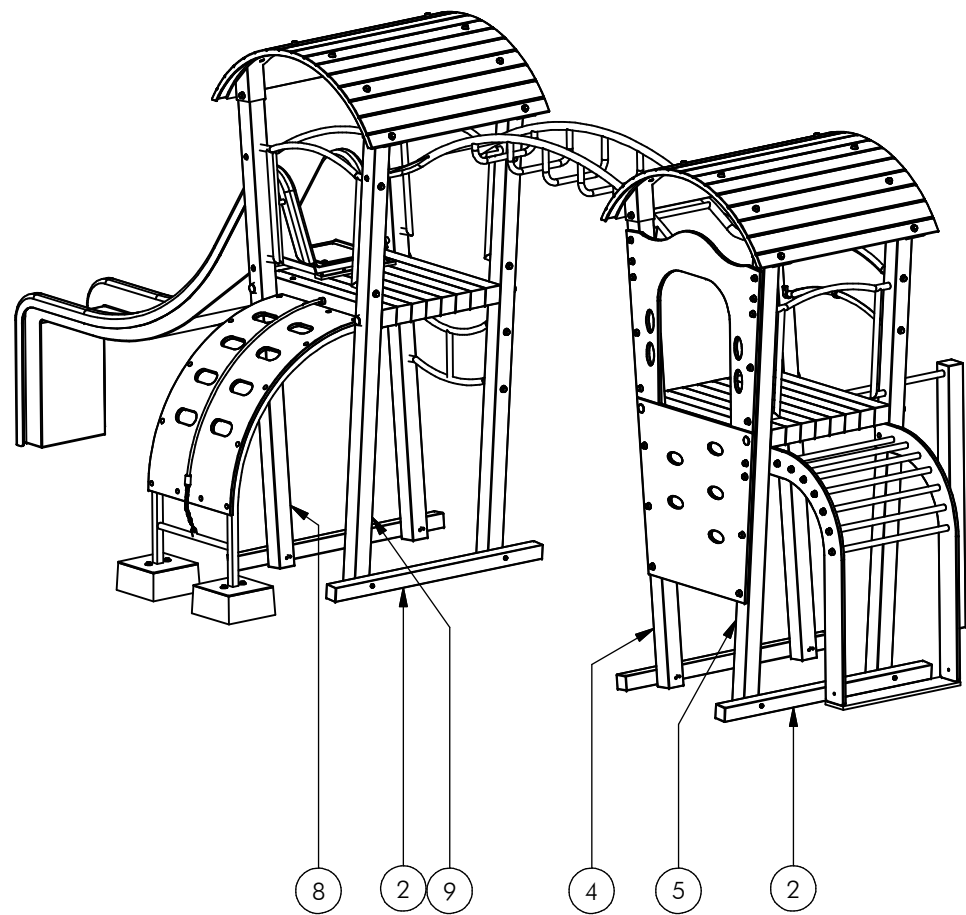
AIB-Vinçotte Nederland B.V.
Namens het bestuur,



R. van Hirtum
Afdelingsmanager Attractie & Speeltoestellen



M. Stoffelen
Inspecteur



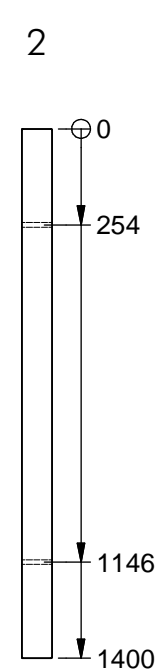
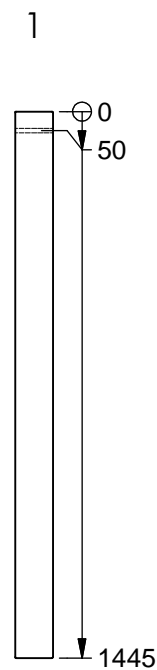
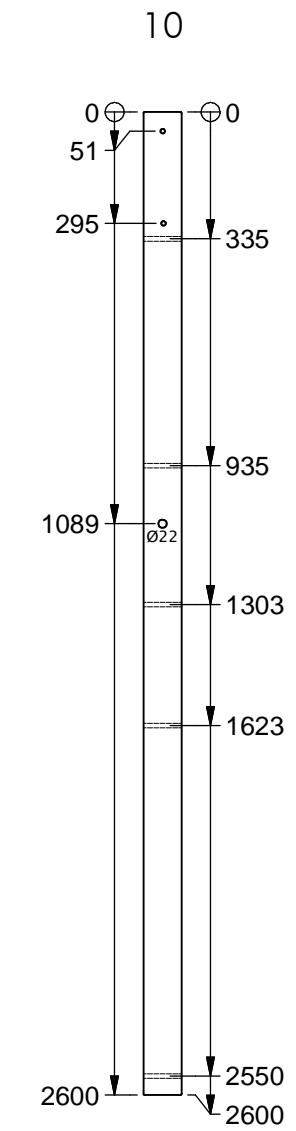
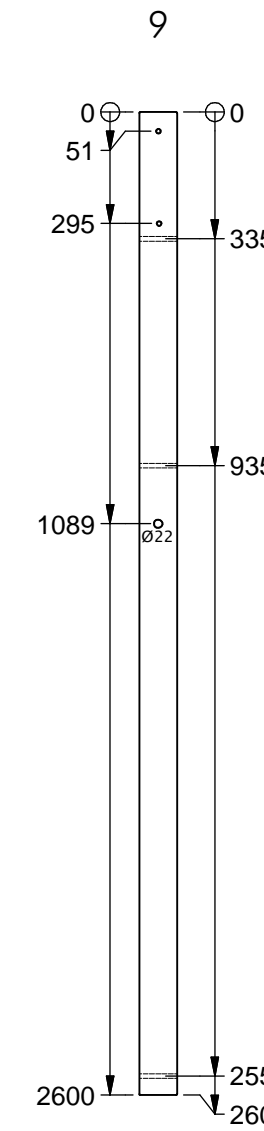
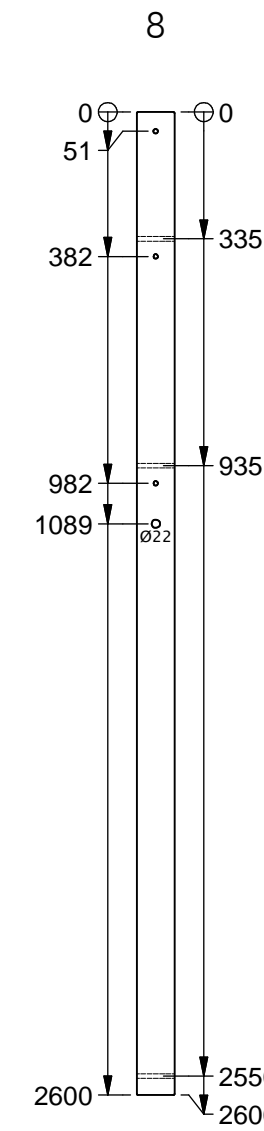
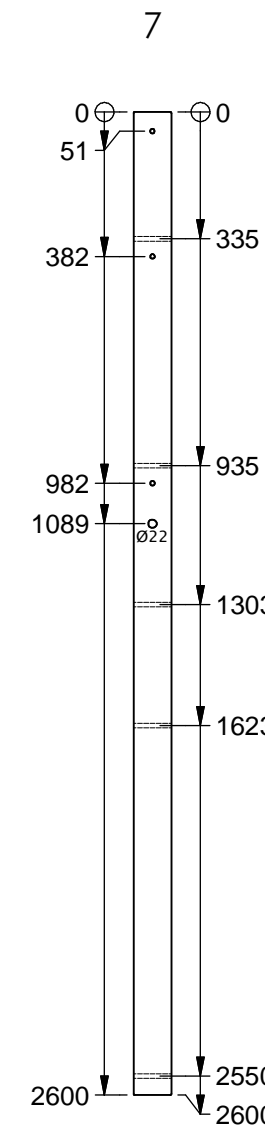
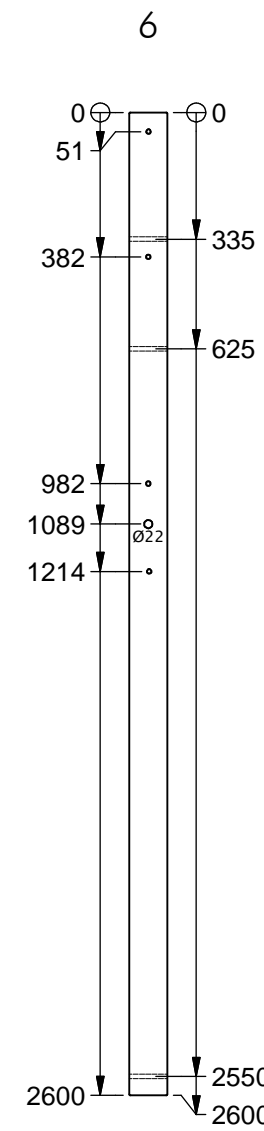
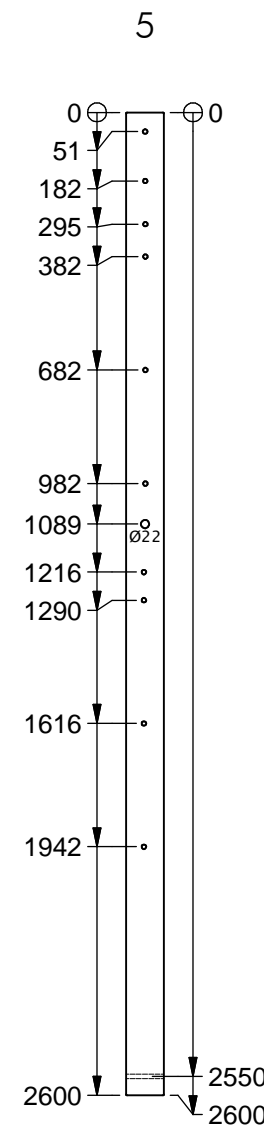
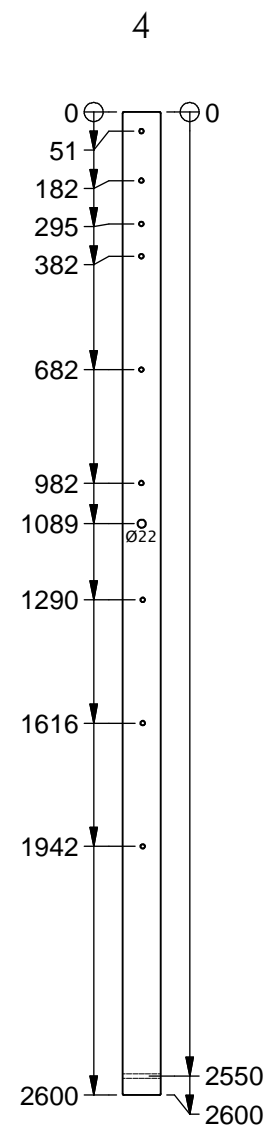
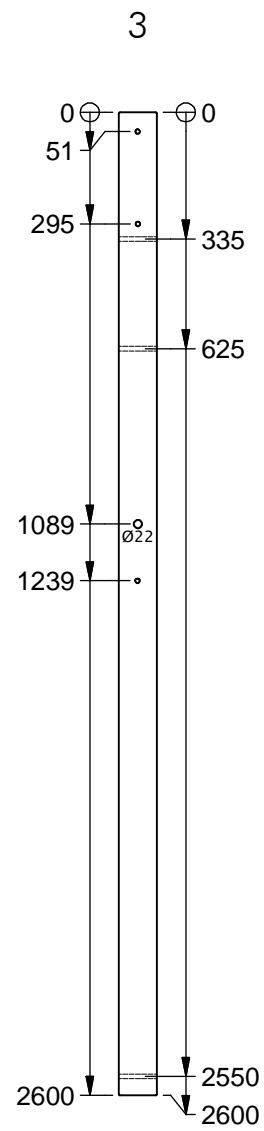
| Nr | # | Type | Progr. | Volgnr | Bew. | Rev. | Benaming | Opmerking |
|----|---|------|--------|--------|------|------|-----------|------------|
| 1 | 1 | ORE | FRP | 022 | 100 | A | Rebo 1445 | Paal 99x99 |
| 2 | 4 | ORE | FRP | 025 | 100 | B | Rebo 1400 | Paal 80x80 |
| 3 | 1 | ORE | FRP | 256 | 100 | | Rebo 2600 | Paal 99x99 |
| 4 | 1 | ORE | FRP | 257 | 100 | | Rebo 2600 | Paal 99x99 |
| 5 | 1 | ORE | FRP | 258 | 100 | | Rebo 2600 | Paal 99x99 |
| 6 | 1 | ORE | FRP | 259 | 100 | | Rebo 2600 | Paal 99x99 |
| 7 | 1 | ORE | FRP | 260 | 100 | | Rebo 2600 | Paal 99x99 |
| 8 | 1 | ORE | FRP | 261 | 100 | | Rebo 2600 | Paal 99x99 |
| 9 | 1 | ORE | FRP | 262 | 100 | | Rebo 2600 | Paal 99x99 |
| 10 | 1 | ORE | FRP | 263 | 100 | | Rebo 2600 | Paal 99x99 |



Benaming , Staanders
 Opmerking
 Datum , 23-4-2015

Tekening
 Drawing

MOD FRP 505 001 A
 Samenstelling module *Assembly module*



Alle gaten Ø12 mm tenzij anders vermeld.
 Alle gaten doorboren tenzij anders vermeld.
 Alle gaten in hart van de paal tenzij anders vermeld.



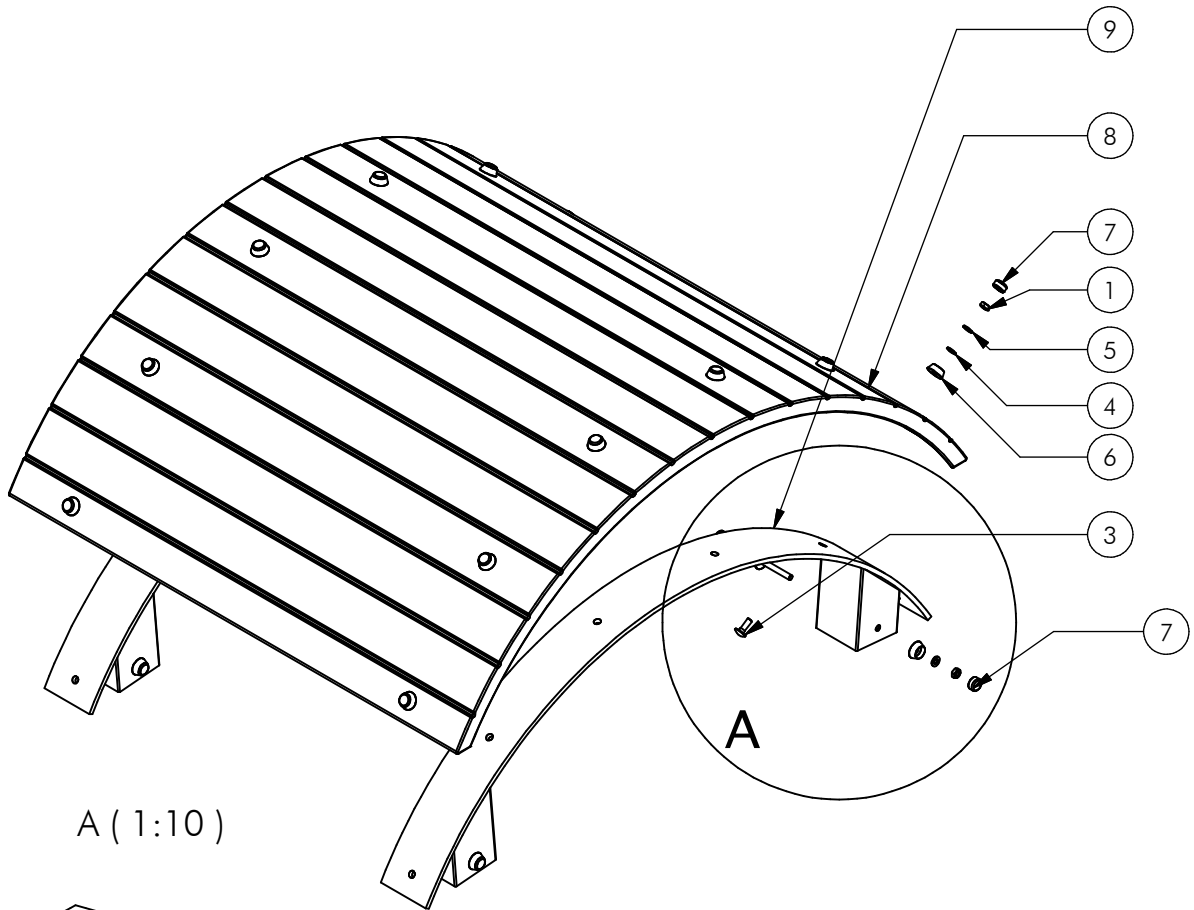
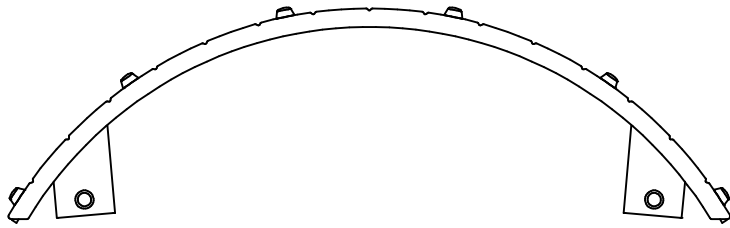
Benaming
 Title Staanders

Opmerking
 Comment

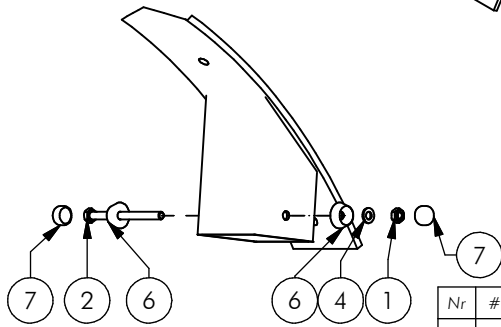
Datum
 Date 23-4-2015

Tekening
 Drawing

MOD FRP 505 001 A
 Zaag- en boorstaat *Cut and drill table*



A (1:10)



| Nr | # | Type | Progr. | Volgnr | Bew. | Rev. | Benaming | Opmerking |
|----|----|------|--------|--------|------|------|---------------------------|--------------------|
| 1 | 16 | BSV | 017 | 010 | 008 | | Zeskantmoer | M10 - VZ 8.8 |
| 2 | 4 | BSV | 021 | 010 | 130 | | Zeskantbout ISO 4014 | M10 x 130 - VZ 8.8 |
| 3 | 12 | BSV | 026 | 010 | 030 | | Slotbout | M10 x 30 - VZ 8.8 |
| 4 | 16 | BSV | 030 | 010 | 002 | | Sluitring | M10 - VZ 8.8 |
| 5 | 12 | BSV | 032 | 010 | 002 | | Veerring | M10 - VZ 8.8 |
| 6 | 20 | KST | DON | 011 | 050 | | interplay donut M10 blauw | 84395000042 |
| 7 | 20 | KST | DOP | 011 | 050 | | interplay dop M10 blauw | 84395000044 |
| 8 | 1 | POL | FRP | 026 | 502 | A | Polyester overkapping | Freeplay |
| 9 | 2 | SME | FRP | 034 | 618 | | Daksteun | Freeplay |

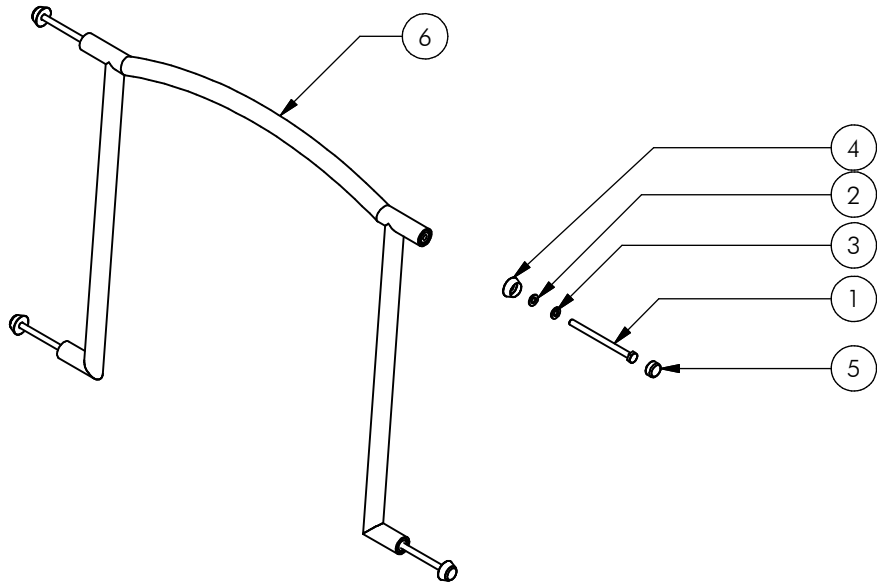
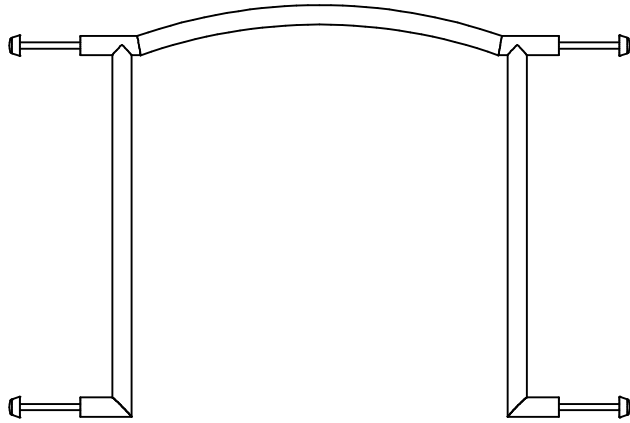


Benaming Title Dak
 Opmerking Comment Freeplay
 Datum Date 19-7-2012

Tekening Drawing

MOD FRP KST 001

Samenstelling module Assembly module



| Nr | # | Type | Progr. | Volgnr | Bew. | Rev. | Benaming | Opmerking |
|----|---|------|--------|--------|------|------|---------------------------|--------------------|
| 1 | 4 | BSV | 021 | 010 | 140 | | Zeskantbout ISO 4014 | M10 x 140 - VZ 8.8 |
| 2 | 4 | BSV | 030 | 010 | 002 | | Sluitring | M10 - VZ 8.8 |
| 3 | 4 | BSV | 032 | 010 | 002 | | Veerring | M10 - VZ 8.8 |
| 4 | 4 | KST | DON | 011 | 050 | | interplay donut M10 blauw | 84395000042 |
| 5 | 4 | KST | DOP | 011 | 050 | | interplay dop M10 blauw | 84395000044 |
| 6 | 1 | SME | FRP | 033 | 618 | | Terugdringstang B | Freeplay |



Benaming
Title: Portaal recht

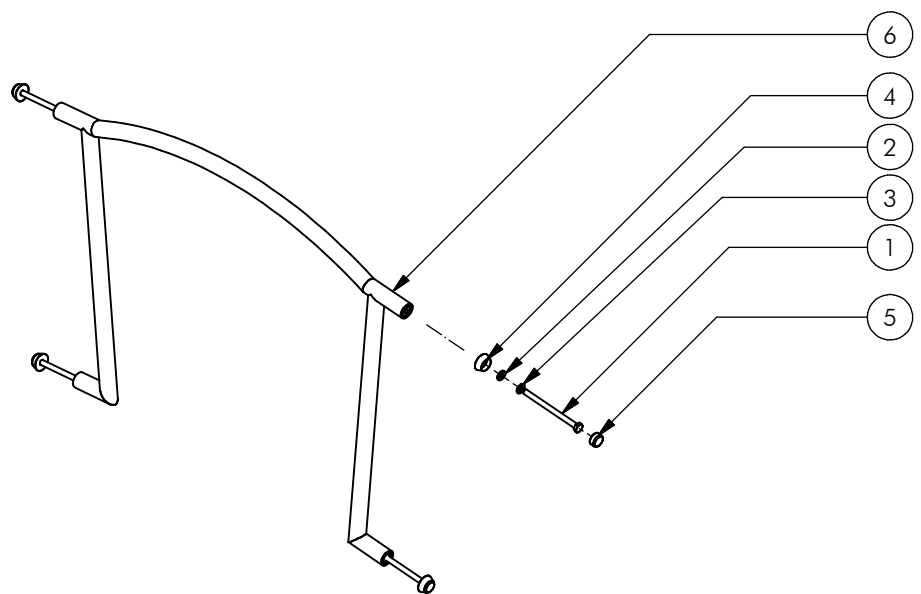
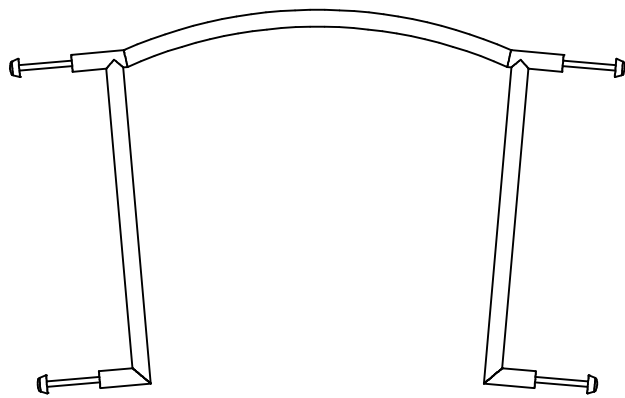
Opmerking
Comment: Freeplay

Datum
Date: 23-7-2012

Tekening
Drawing

MOD FRP KST 005

Samenstelling module *Assembly module*



| Nr | # | Type | Progr. | Volgnr | Bew. | Rev. | Benaming | Opmerking |
|----|---|------|--------|--------|------|------|---------------------------|--------------------|
| 1 | 4 | BSV | 021 | 010 | 140 | | Zeskantbout ISO 4014 | M10 x 140 - VZ 8.8 |
| 2 | 4 | BSV | 030 | 010 | 002 | | Sluitring | M10 - VZ 8.8 |
| 3 | 4 | BSV | 032 | 010 | 002 | | Veerring | M10 - VZ 8.8 |
| 4 | 4 | KST | DON | 011 | 050 | | interplay donut M10 blauw | 84395000042 |
| 5 | 4 | KST | DOP | 011 | 050 | | interplay dop M10 blauw | 84395000044 |
| 6 | 1 | SME | FRP | 027 | 618 | | Terugdringstang D | Freeplay |



Benaming
Title: Portaal schuin

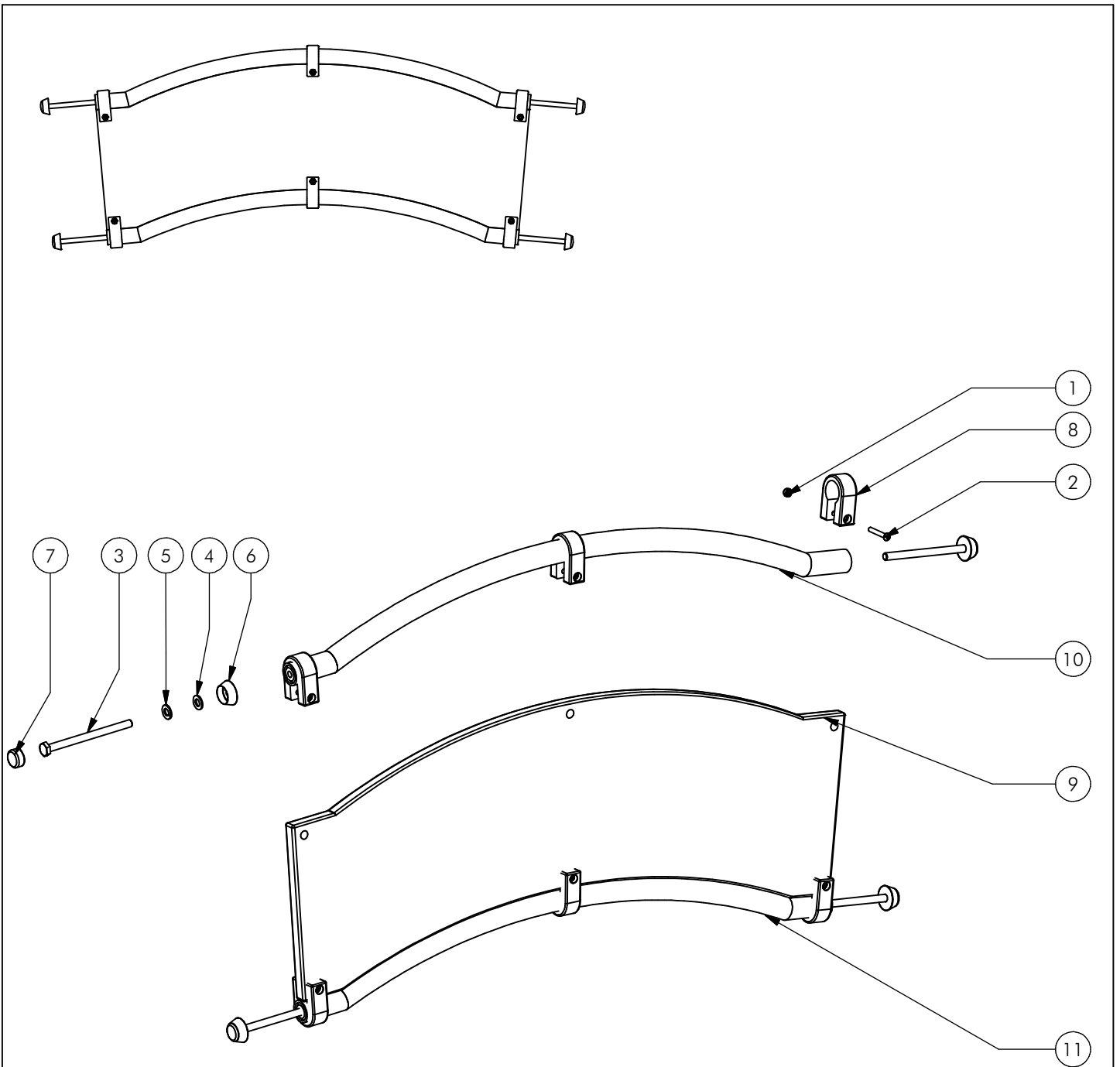
Opmerking
Comment: Freeplay

Datum
Date: 23-7-2012

Tekening
Drawing

MOD FRP KST 006

Samenstelling module *Assembly module*



| Nr | # | Type | Progr. | Volgnr | Bew. | Rev. | Benaming | Opmerking |
|----|---|------|--------|--------|------|------|---------------------------|----------------------|
| 1 | 6 | BSR | 010 | 006 | 006 | | Borgmoer | M6 - RVS A2-70 |
| 2 | 6 | BSR | 025 | 006 | 040 | | Veiligheids Bout | Pin-Torx - RVS A2-70 |
| 3 | 4 | BSV | 021 | 010 | 140 | | Zeskantbout ISO 4014 | M10 x 140 - VZ 8.8 |
| 4 | 4 | BSV | 030 | 010 | 002 | | Sluitring | M10 - VZ 8.8 |
| 5 | 4 | BSV | 032 | 010 | 002 | | Veerring | M10 - VZ 8.8 |
| 6 | 4 | KST | DON | 011 | 050 | | interplay donut M10 blauw | 84395000042 |
| 7 | 4 | KST | DOP | 011 | 050 | | interplay dop M10 blauw | 84395000044 |
| 8 | 6 | KST | KLM | 032 | 070 | | Kunststof Klem | tbv Buis Ø32 |
| 9 | 1 | OPE | FRP | 019 | 050 | A | Wandje railing | Freeplay |
| 10 | 1 | SME | FRP | 043 | 618 | | Leuningstang A | Freeplay |
| 11 | 1 | SME | FRP | 044 | 618 | | Leuningstang B | Freeplay |



Benaming
Title | Wandje railing

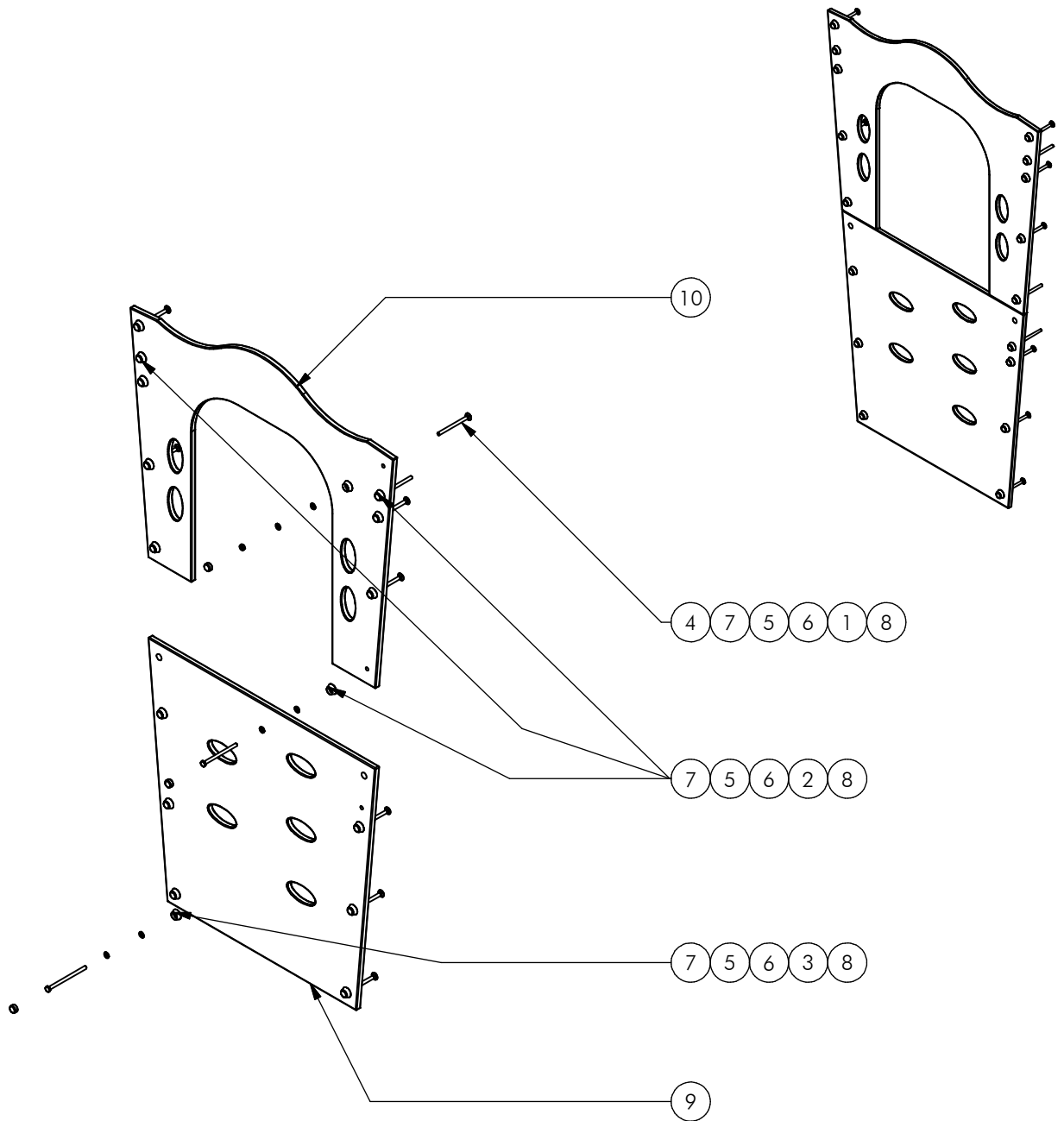
Opmerking
Comment | Freeplay

Datum
Date | 24-7-2012

Tekening
Drawing

MOD FRP KST 008

Samenstelling module Assembly module



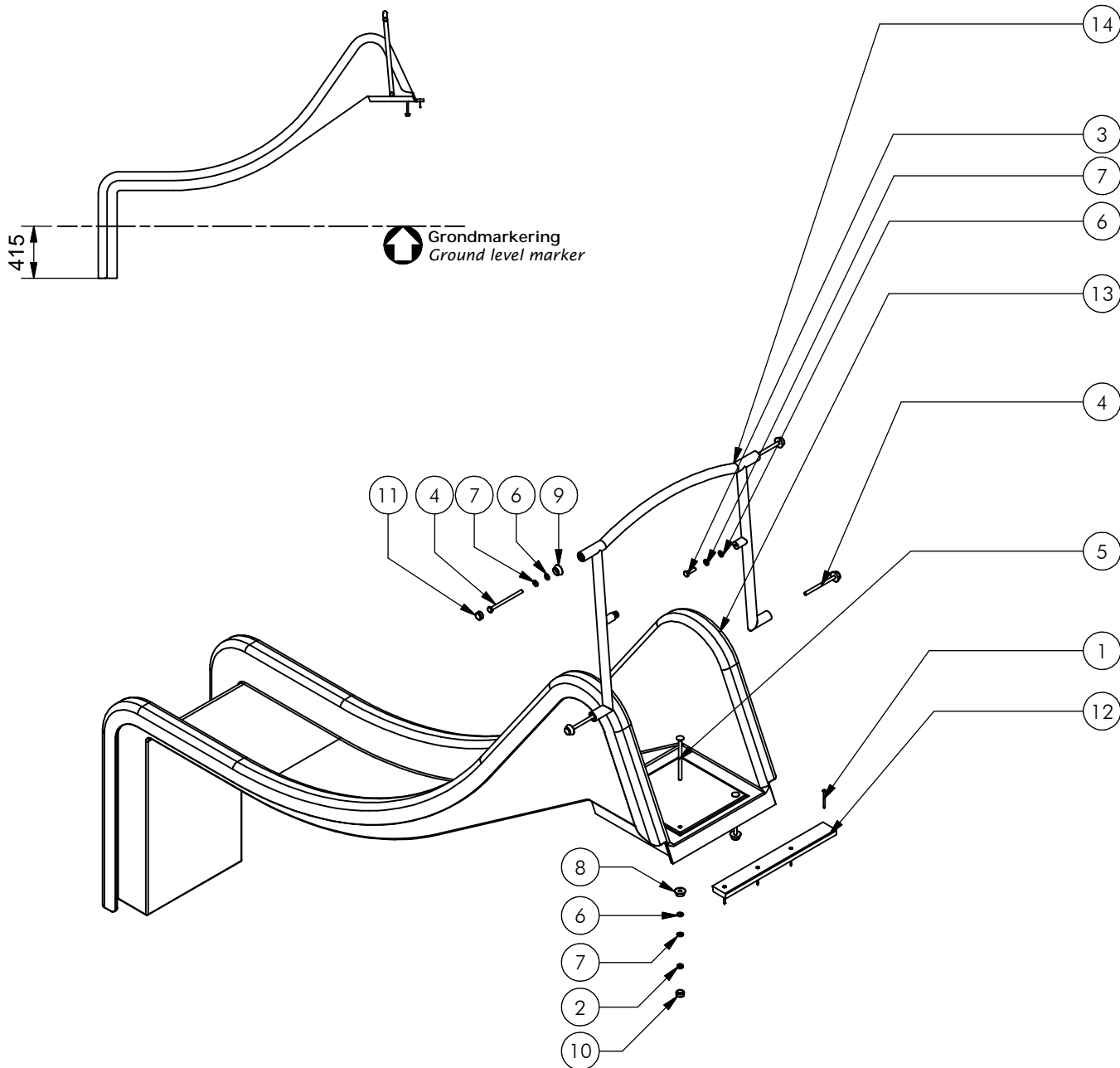
| Nr | # | Type | Progr. | Volgnr | Bew. | Rev. | Benaming | Opmerking |
|----|----|------|--------|--------|------|------|---------------------------|--------------------|
| 1 | 13 | BSV | 017 | 010 | 008 | | Zeskantmoer | M10 - VZ 8.8 |
| 2 | 3 | BSV | 021 | 010 | 140 | | Zeskantbout ISO 4014 | M10 x 140 - VZ 8.8 |
| 3 | 1 | BSV | 021 | 010 | 160 | | Zeskantbout ISO 4014 | M10 x 160 - VZ 8.8 |
| 4 | 13 | BSV | 026 | 010 | 130 | | Slotbout | M10 x 130 - VZ 8.8 |
| 5 | 17 | BSV | 030 | 010 | 002 | | Sluistring | M10 - VZ 8.8 |
| 6 | 17 | BSV | 032 | 010 | 002 | | Veerring | M10 - VZ 8.8 |
| 7 | 17 | KST | DON | 011 | 050 | | interplay donut M10 blauw | 84395000042 |
| 8 | 17 | KST | DOP | 011 | 050 | | interplay dop M10 blauw | 84395000044 |
| 9 | 1 | OPE | FRP | 036 | 050 | A | Klimwand | Freeplay |
| 10 | 1 | OPE | FRP | 037 | 050 | A | HMPE Klimwand | Freeplay |



Benaming / Title: Onderplaat klimwand
 Opmerking / Comment: Freeplay
 Datum / Date: 18-9-2012

Tekening / Drawing

MOD FRP KST 023 A
 Samenstelling module / Assembly module



| Nr | # | Type | Progr. | Volgnr | Bew. | Rev. | Benaming | Opmerking |
|----|---|------|--------|--------|------|------|---------------------------|--------------------|
| 1 | 4 | BSV | 004 | 005 | 070 | | Schroef verz. | 5 x70 - VZ 8.8 |
| 2 | 2 | BSV | 017 | 010 | 008 | | Zeskantmoer | M10 - VZ 8.8 |
| 3 | 2 | BSV | 021 | 010 | 035 | | Zeskantbout ISO 4014 | M10 x 35 - VZ 8.8 |
| 4 | 4 | BSV | 021 | 010 | 140 | | Zeskantbout ISO 4014 | M10 x 140 - VZ 8.8 |
| 5 | 2 | BSV | 026 | 010 | 160 | | Slotbout | M10 x 160 - VZ 8.8 |
| 6 | 8 | BSV | 030 | 010 | 002 | | Sluitring | M10 - VZ 8.8 |
| 7 | 8 | BSV | 032 | 010 | 002 | | Veerring | M10 - VZ 8.8 |
| 8 | 2 | KST | DON | 011 | 090 | | interplay donut | zwart |
| 9 | 4 | KST | DON | 011 | 050 | | interplay donut M10 blauw | 84395000042 |
| 10 | 2 | KST | DOP | 011 | 090 | | interplay dop | zwart |
| 11 | 4 | KST | DOP | 011 | 050 | | interplay dop M10 blauw | 84395000044 |
| 12 | 1 | KST | FRP | 039 | LPE | | LDPE strip | Freeplay |
| 13 | 1 | POL | FRP | 027 | 001 | | Glijbaan | Polyester |
| 14 | 1 | SME | FRP | 032 | 618 | | Terugdringstang A | Freeplay |



Benaming
Title Glijbaan

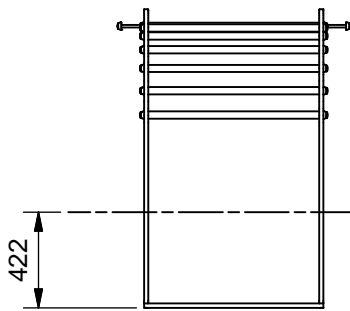
Opmerking
Comment Freeplay


Datum
Date 31-7-2012

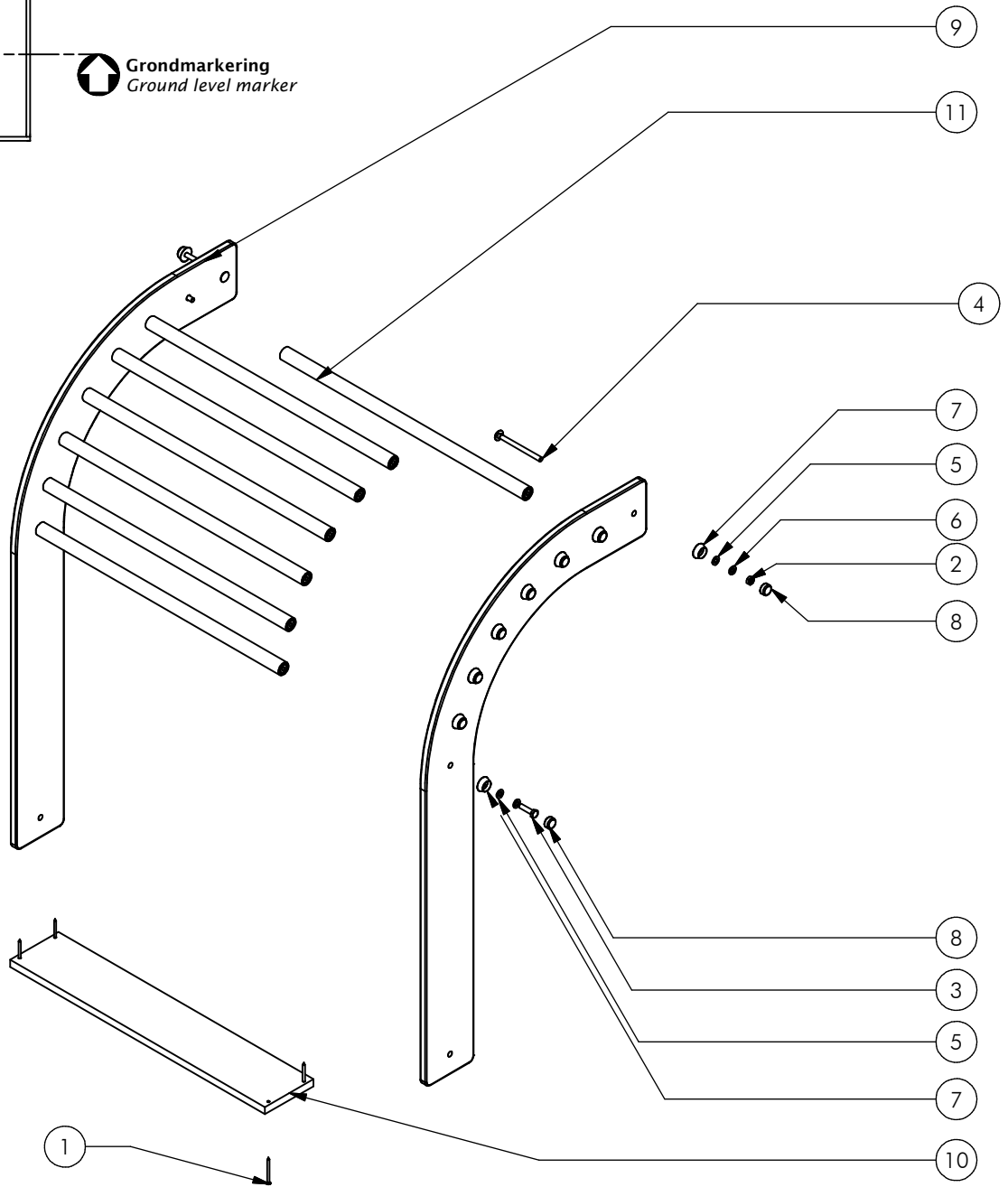
Tekening
Drawing

MOD FRP KST 030

Samenstelling module Assembly module




Grondmarkering
 Ground level marker



| Nr | # | Type | Progr. | Volgnr | Bew. | Rev. | Benaming | Opmerking |
|----|----|------|--------|--------|------|------|---------------------------|--------------------|
| 1 | 4 | BSV | 004 | 005 | 070 | | Schroef verz. | 5 x70 - VZ 8.8 |
| 2 | 2 | BSV | 017 | 010 | 008 | | Zeskantmoer | M10 - VZ 8.8 |
| 3 | 14 | BSV | 021 | 010 | 040 | | Zeskantbout ISO 4014 | M10 x 40 - VZ 8.8 |
| 4 | 2 | BSV | 026 | 010 | 130 | | Slotbout | M10 x 130 - VZ 8.8 |
| 5 | 16 | BSV | 030 | 010 | 002 | | Sluitring | M10 - VZ 8.8 |
| 6 | 16 | BSV | 032 | 010 | 002 | | Veerring | M10 - VZ 8.8 |
| 7 | 16 | KST | DON | 011 | 050 | | interplay donut M10 blauw | 84395000042 |
| 8 | 16 | KST | DOP | 011 | 050 | | interplay dop M10 blauw | 84395000044 |
| 9 | 2 | KST | FRP | 018 | HPE | | Steun klimboog | Freeplay |
| 10 | 1 | OPE | FRP | 040 | 050 | B | Grondplaat klimboog | Freeplay |
| 11 | 7 | SME | FRP | 036 | 618 | | Klimboogtrede | Freeplay |

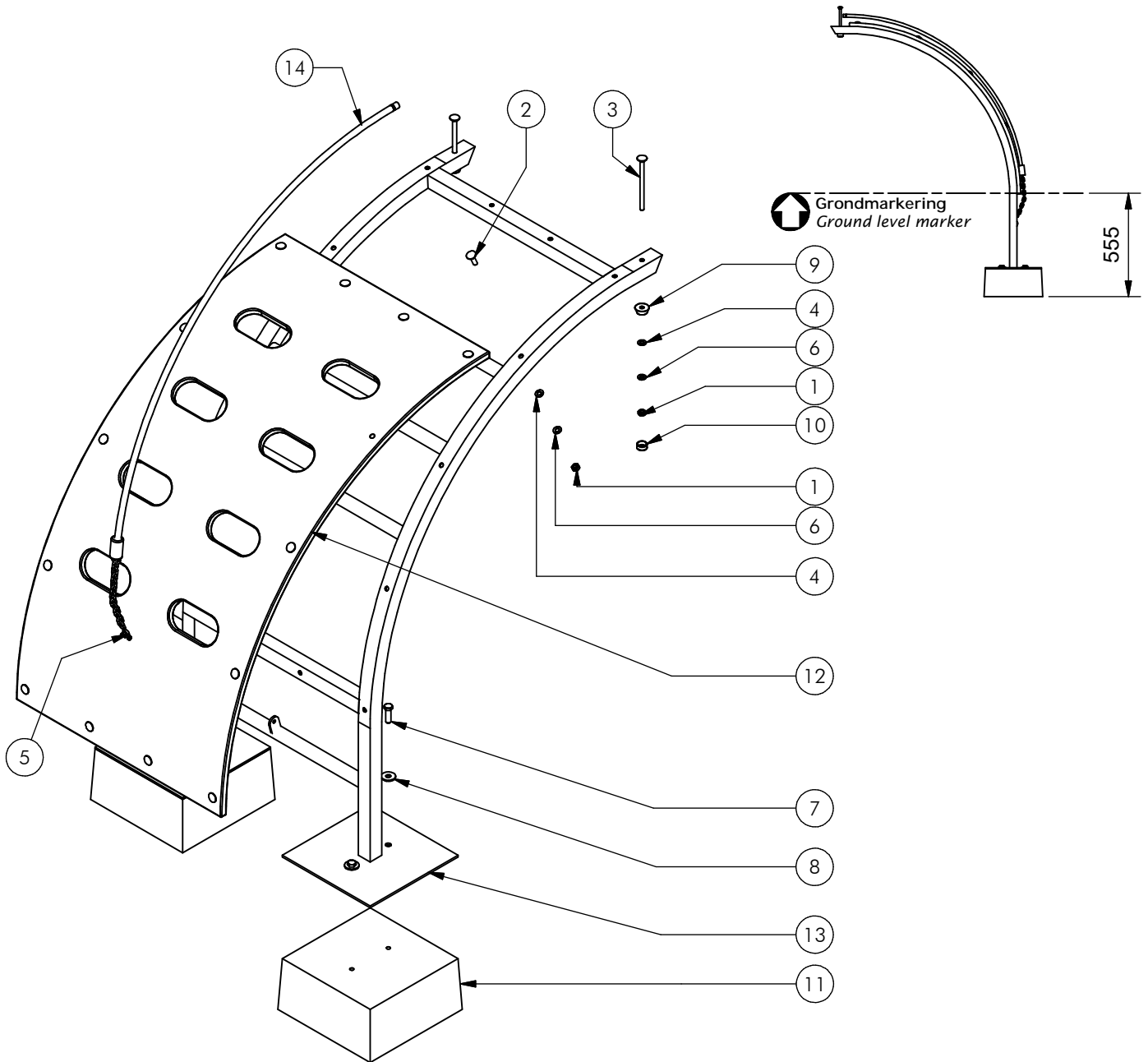


Benaming / Title: Klimboog
 Opmerking / Comment: Freeplay
 Datum / Date: 23-7-2012

Tekening / Drawing

MOD FRP KST 032

Samenstelling module Assembly module



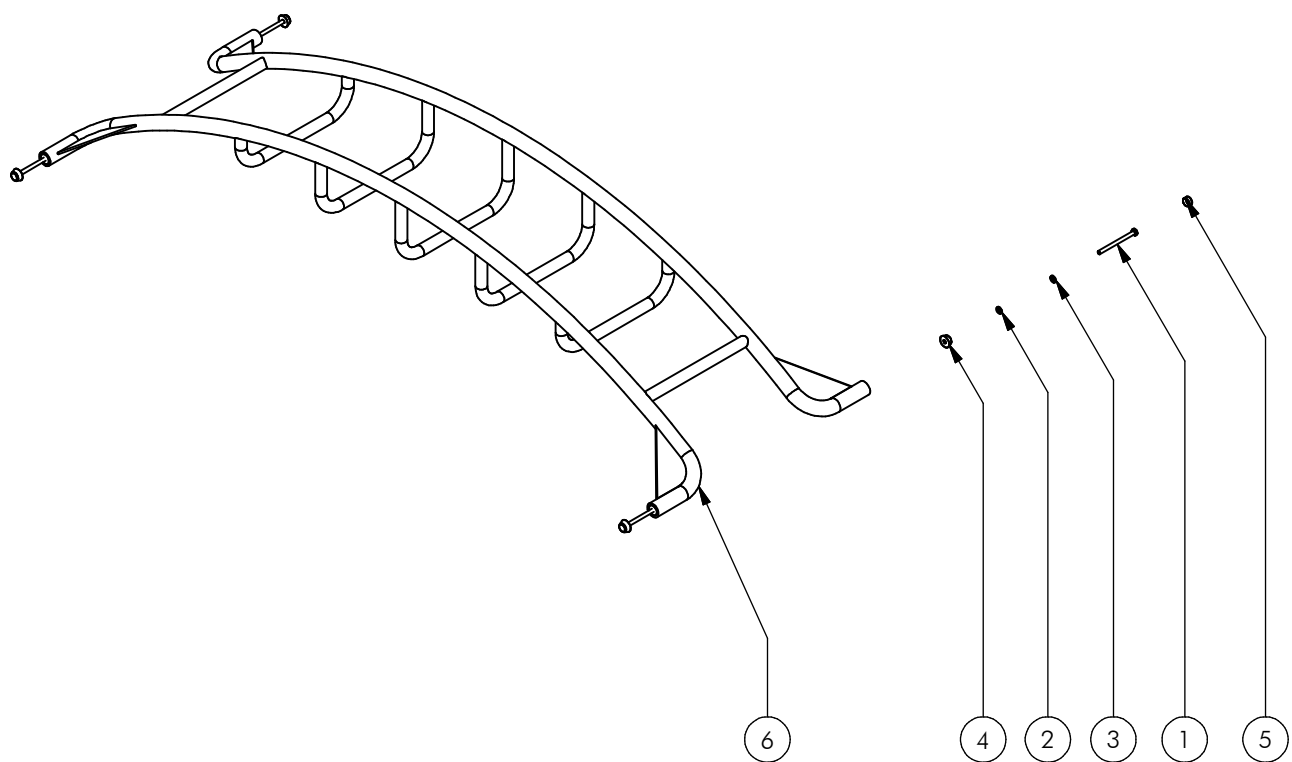
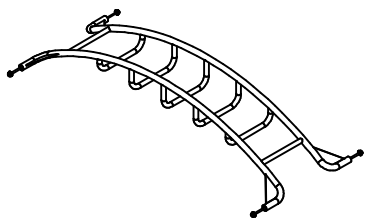
| Nr | # | Type | Progr. | Volgnr | Bew. | Rev. | Benaming | Opmerking |
|----|----|------|--------|--------|------|------|---------------------------|-----------------------|
| 1 | 16 | BSR | 017 | 010 | 008 | | Zeskantmoer | M10 - RVS A2-70 |
| 2 | 14 | BSR | 026 | 010 | 035 | | Slotbout | M10 x 35 - RVS A2-70 |
| 3 | 2 | BSR | 026 | 010 | 150 | | Slotbout | M10 x 150 - RVS A2-70 |
| 4 | 16 | BSR | 030 | 010 | 002 | | SLUITRING | M10 |
| 5 | 1 | BSR | 031 | 005 | 000 | | D-Sluiting | 5 mm, RVS A2-70 |
| 6 | 16 | BSR | 032 | 010 | 002 | | Veerring groot | M10 - RVS A2-70 |
| 7 | 4 | BSV | 021 | 012 | 040 | | Zeskantbout ISO 4014 | M12 x 40 - VZ 8.8 |
| 8 | 4 | BSV | 035 | 012 | 035 | | Carrosseriering | M12 x 35 - VZ 8.8 |
| 9 | 2 | KST | DON | 011 | 050 | | interplay donut M10 blauw | 84395000042 |
| 10 | 2 | KST | DOP | 011 | 050 | | interplay dop M10 blauw | 84395000044 |
| 11 | 2 | OBT | POE | 009 | 033 | | POER | MODEL 9 |
| 12 | 1 | OPE | FRP | 020 | 050 | A | Oploop | Freeplay |
| 13 | 1 | SME | FRP | 053 | 618 | A | Frame klimwand | Freeplay |
| 14 | 1 | SNT | FRP | 009 | ZWT | A | Kabel Ø16 + Ketting 5 mm | L=1700 |



Benaming / Title: Oploopje
 Opmerking / Comment: Freeplay
 Datum / Date: 17-12-2014

Tekening / Drawing

MOD FRP KST 036 A
 Samenstelling module Assembly module



| Nr | # | Type | Progr. | Volgnr | Bew. | Rev. | Benaming | Opmerking |
|----|---|------|--------|--------|------|------|---------------------------|--------------------|
| 1 | 4 | BSV | 021 | 010 | 130 | | Zeskantbout ISO 4014 | M10 x 130 - VZ 8.8 |
| 2 | 4 | BSV | 030 | 010 | 002 | | Sluitring | M10 - VZ 8.8 |
| 3 | 4 | BSV | 032 | 010 | 002 | | Veerring | M10 - VZ 8.8 |
| 4 | 4 | KST | DON | 011 | 050 | | interplay donut M10 blauw | 84395000042 |
| 5 | 4 | KST | DOP | 011 | 050 | | interplay dop M10 blauw | 84395000044 |
| 6 | 1 | SME | FRP | 037 | 618 | | Enterrek recht | Freeplay |

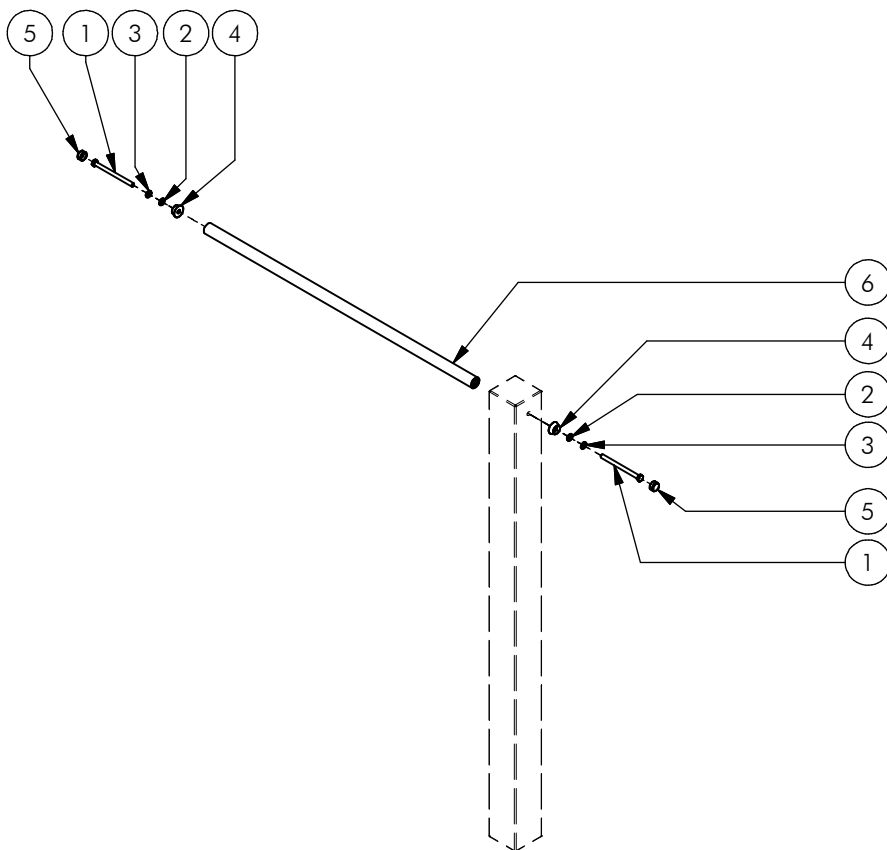
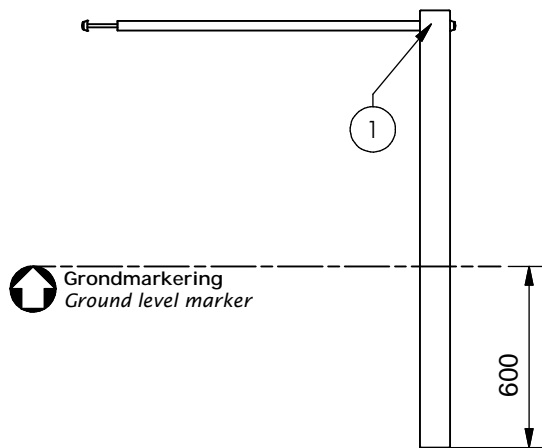


Benaming Title Enterrek recht
 Opmerking Comment Freeplay
 Datum Date 31-7-2012

Tekening Drawing

MOD FRP KST 050

Samenstelling module Assembly module



| Nr | # | Type | Progr. | Volgnr | Bew. | Rev. | Benaming | Opmerking |
|----|---|------|--------|--------|------|------|---------------------------|--------------------|
| 1 | 2 | BSV | 021 | 010 | 140 | | Zeskantbout ISO 4014 | M10 x 140 - VZ 8.8 |
| 2 | 2 | BSV | 030 | 010 | 002 | | Sluitering | M10 - VZ 8.8 |
| 3 | 2 | BSV | 032 | 010 | 002 | | Veerring | M10 - VZ 8.8 |
| 4 | 2 | KST | DON | 011 | 050 | | interplay donut M10 blauw | 84395000042 |
| 5 | 2 | KST | DOP | 011 | 050 | | interplay dop M10 blauw | 84395000044 |
| 6 | 1 | SME | FRP | 048 | 618 | B | Duikelstang | Freeplay |



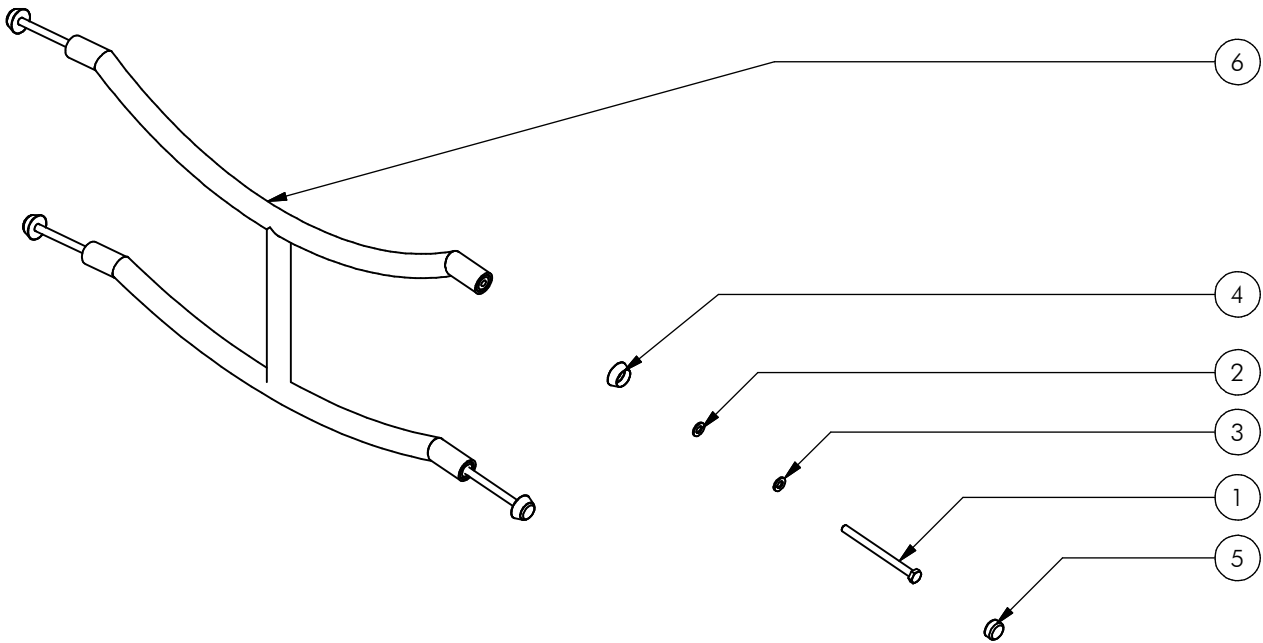
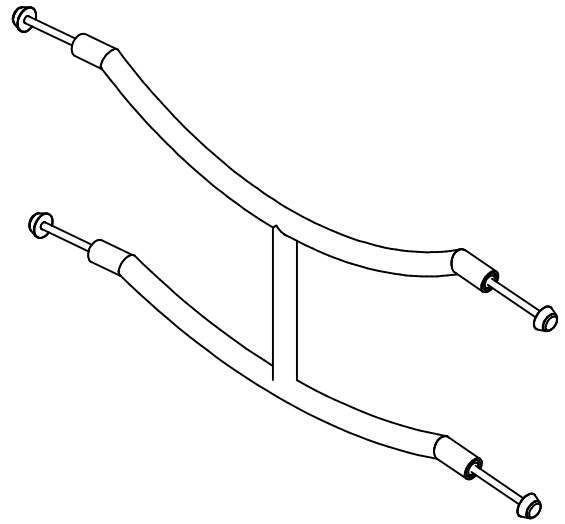
Benaming
Title: Aanbouwduikel

Opmerking
Comment: Freeplay

Datum
Date: 20-3-2014

Tekening
Drawing

MOD FRP KST 056 B
 Samenstelling module *Assembly module*



| Nr | # | Type | Progr. | Volgnr | Bew. | Rev. | Benaming | Opmerking |
|----|---|------|--------|--------|------|------|---------------------------|--------------------|
| 1 | 4 | BSV | 021 | 010 | 130 | | Zeskantbout ISO 4014 | M10 x 130 - VZ 8.8 |
| 2 | 4 | BSV | 030 | 010 | 002 | | Sluitring | M10 - VZ 8.8 |
| 3 | 4 | BSV | 032 | 010 | 002 | | Veerring | M10 - VZ 8.8 |
| 4 | 4 | KST | DON | 011 | 050 | | interplay donut M10 blauw | 84395000042 |
| 5 | 4 | KST | DOP | 011 | 050 | | interplay dop M10 blauw | 84395000044 |
| 6 | 1 | SME | FRP | 056 | 618 | | Tredestangen | Freeplay |

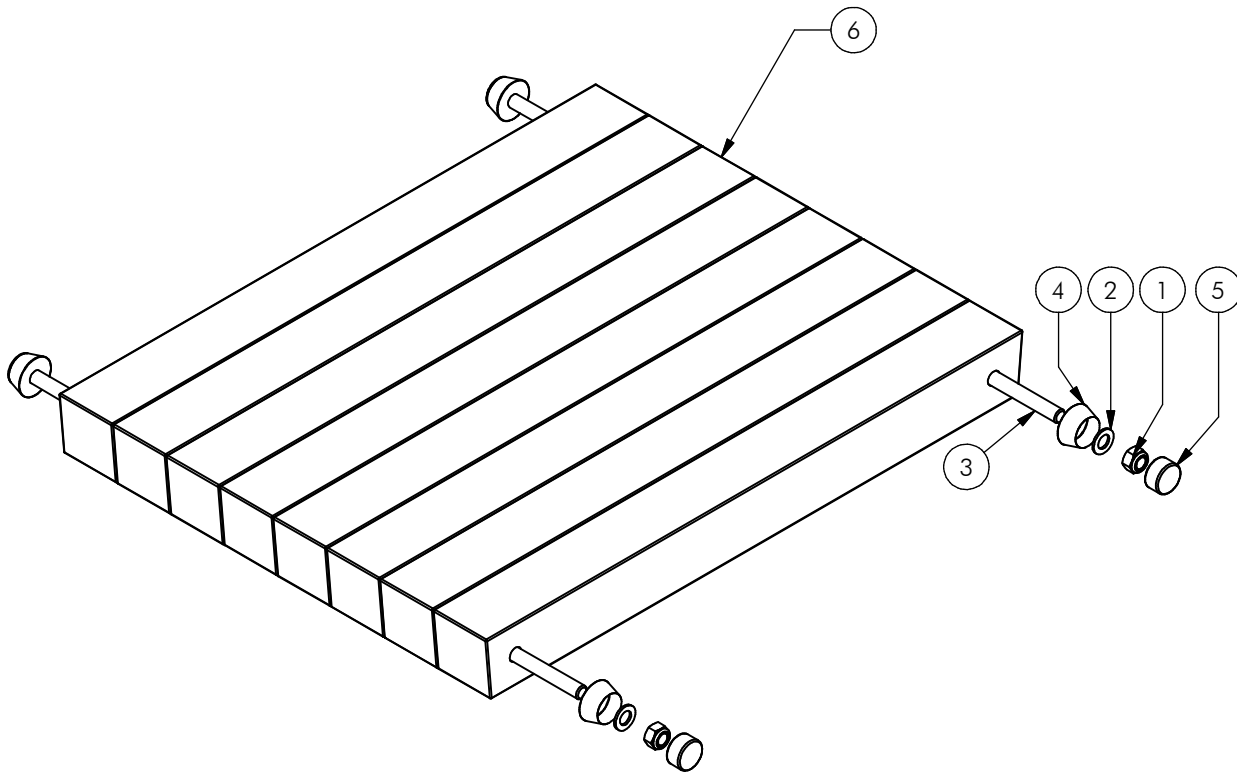


Benaming Title Tredestangen
 Opmerking Comment Freeplay
 Datum Date 21-9-2012

Tekening Drawing

MOD FRP KST 061

Samenstelling module Assembly module



| Nr | # | Type | Progr. | Volgnr | Bew. | Rev. | Benaming | Opmerking |
|----|---|------|--------|--------|------|------|-------------------|---------------------|
| 1 | 4 | BSV | 010 | 020 | 030 | | Borgmoer | M20 - VZ 8.8 |
| 2 | 4 | BSV | 030 | 020 | 003 | | Sluitring | M20 - VZ 8.8 |
| 3 | 2 | BSV | 060 | 020 | 1050 | | Draadeind | M20 x 1050 - VZ 8.8 |
| 4 | 4 | KST | DON | 020 | 090 | | Miniplay ring M20 | art.nr.823950000161 |
| 5 | 4 | KST | DOP | 012 | 090 | | Miniplay dop | art.nr.823950000162 |
| 6 | 8 | ORE | FRP | 024 | 100 | A | Rebo 1005 | Paal 99x99 |



Benaming
Title | Vloer 995 mm

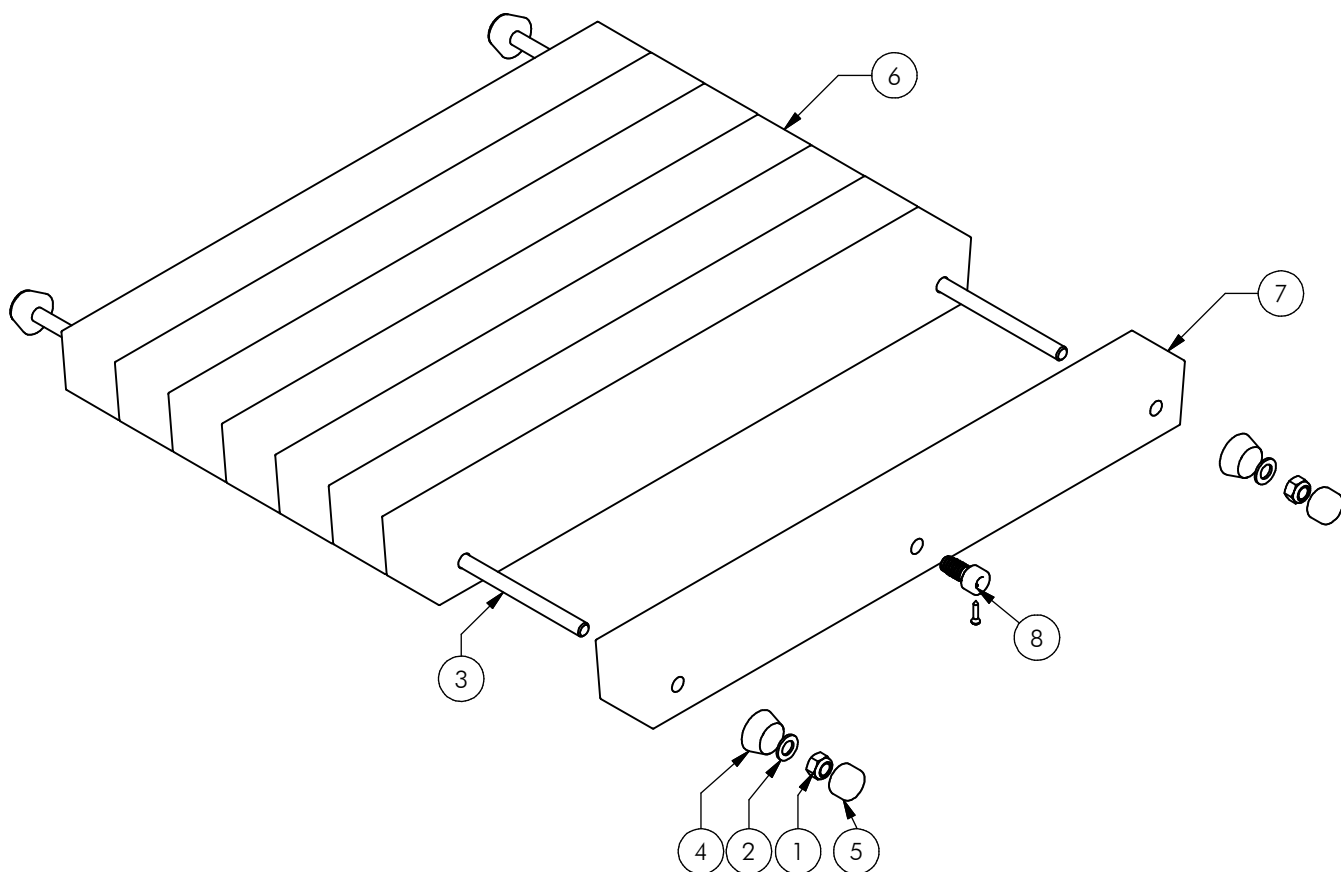
Opmerking
Comment | Standaard

Datum
Date | 16-4-2015

Tekening
Drawing

MOD FRP KST 077

Samenstelling module Assembly module



| Nr | # | Type | Progr. | Volgnr | Bew. | Rev. | Benaming | Opmerking |
|----|---|------|--------|--------|------|------|-------------------|---------------------|
| 1 | 4 | BSV | 010 | 020 | 030 | | Borgmoer | M20 - VZ 8.8 |
| 2 | 4 | BSV | 030 | 020 | 003 | | Sluitring | M20 - VZ 8.8 |
| 3 | 2 | BSV | 060 | 020 | 1050 | | Draadeind | M20 x 1050 - VZ 8.8 |
| 4 | 4 | KST | DON | 020 | 090 | | Miniplay ring M20 | art.nr.823950000161 |
| 5 | 4 | KST | DOP | 012 | 090 | | Miniplay dop | art.nr.823950000162 |
| 6 | 7 | ORE | FRP | 024 | 100 | A | Rebo 1005 | Paal 99x99 |
| 7 | 1 | ORE | FRP | 069 | 100 | A | Rebo 1005 | Paal 99x99 |
| 8 | 1 | SMD | BUS | 002 | RVS | | Bus + VZ schroef | Touw 16 mm |



Benaming
Title | Vloer 995 mm

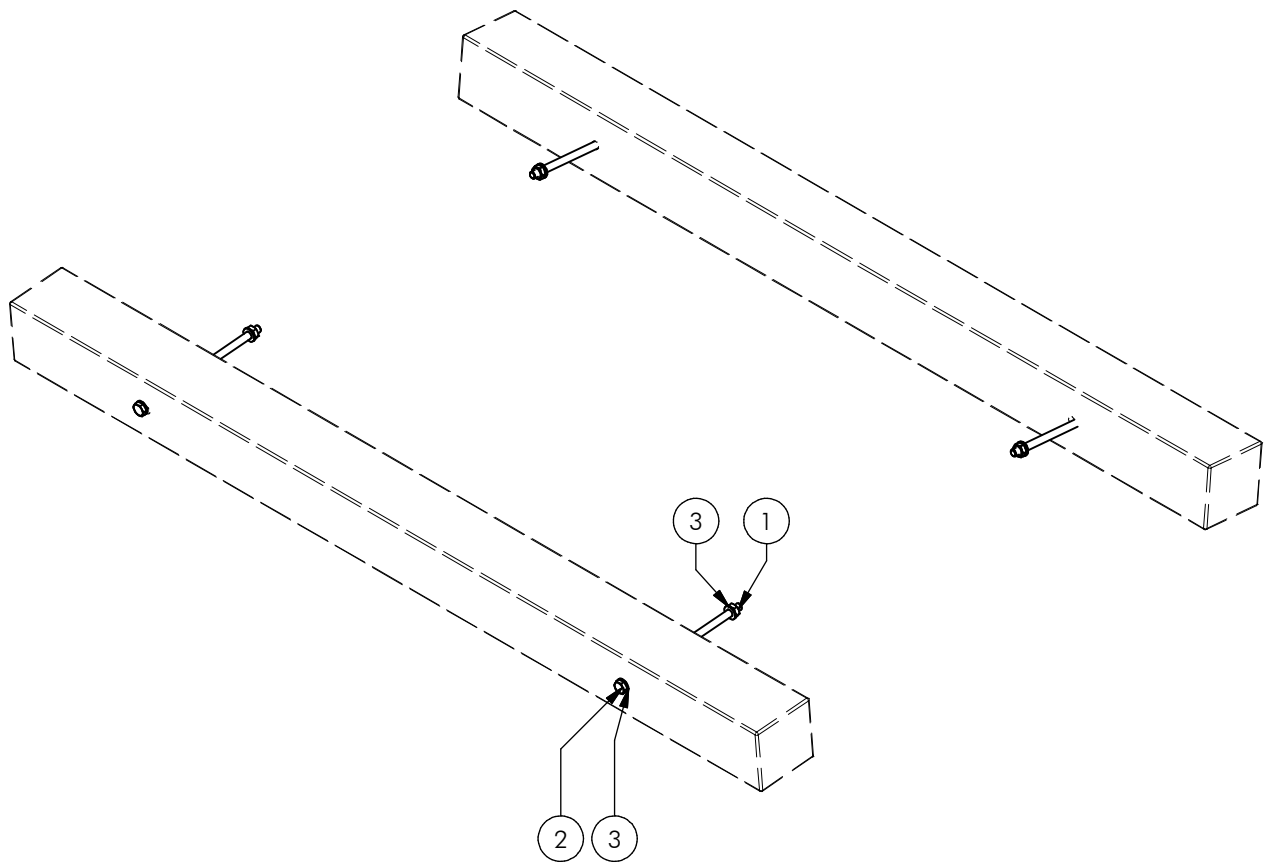
Opmerking
Comment | Vloer Klimwand/boog

Datum
Date | 16-4-2015

Tekening
Drawing

MOD FRP KST 079

Samenstelling module *Assembly module*



| Nr | # | Type | Progr. | Volgnr | Bew. | Rev. | Benaming | Opmerking |
|----|----|------|--------|--------|------|------|----------------------|--------------------|
| 1 | 8 | BSV | 017 | 010 | 008 | | Zeskantmoer | M10 - VZ 8.8 |
| 2 | 8 | BSV | 021 | 010 | 220 | | Zeskantbout ISO 4014 | M10 x 220 - VZ 8.8 |
| 3 | 16 | BSV | 030 | 010 | 002 | | Sluitring | M10 - VZ 8.8 |



Benaming
Title Schoren

Opmerking
Comment incl. bevestiging

Datum
Date 17-4-2015

Tekening
Drawing

MOD FRP KST 080

Samenstelling module *Assembly module*