



# Nature Play

## SOLE030.109

Bird's nest swing



# SOLE030.109

Bird's nest swing



1+



4 - 12



4.5 x 2.2 x 2.9 m



6.8 x 2.3 m



7.8 x 5.6 m



1.5 m



## Playfunctions

Swinging, lounging

## Material

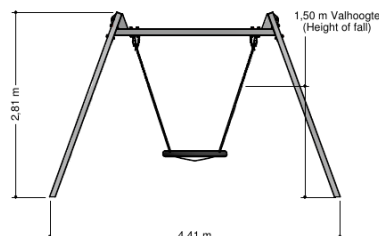
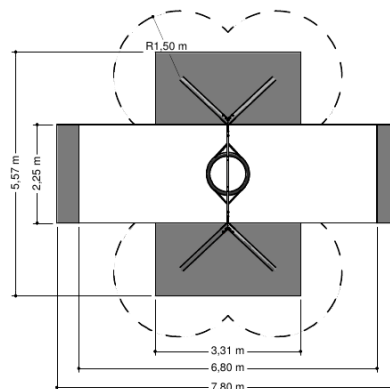
All metal parts are made of stainless steel 304. Floors, walls, climbing walls have a 'wooden' base and are covered with a durable plastic coating. Wall and roof panels are an outdoor quality colored HPL laminate. Connections consist of stainless steel and, where necessary, covered with a plastic cap. The ropes are made of 16 mm vandal proof Hercules rope.

## Anchorage

The posts go to a depth of 60 cm in the ground with at the bottom a steel plate to increase the support. Concrete is not required.

## Comments

If the soil does not contribute to the stability it may be necessary to add concrete.



## Opvangzone

Impact area

WAS, Dutch law

EN1176

## Obstakelvrije zone

Obstacle free zone

WAS, Dutch law

EN1176

