



Nature Play

VRBE008.014

Multi swing anti-wrap



VRBE008.014

Multi swing anti-wrap



1-6



1 - 18



6.8 x 2.2 x 2.6 m



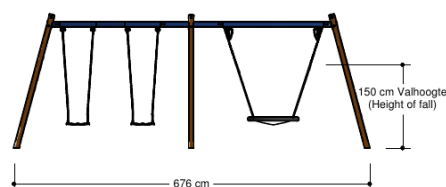
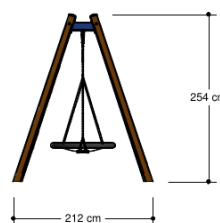
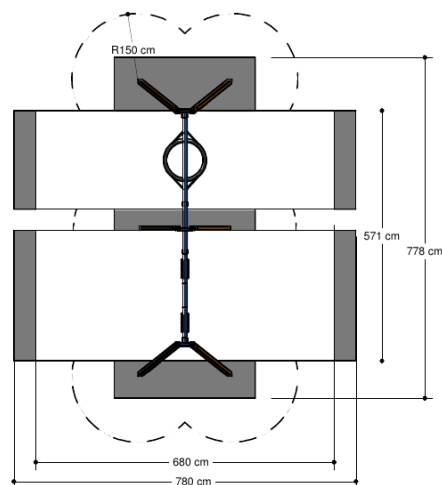
7.5 x 5.8 m



8.5 x 7.8 m



1.5 m



Playfunctions

Swinging, lounging

Material

The poles are made of a FSC hardwood with a durability class of 1-2 according to EN 350. The top is covered with a hood. All steel parts are stainless steel. Connections consist of stainless steel and, where necessary, covered with a plastic cap.

Anchorage

The posts go to a depth of 60 cm in the ground with at the bottom a steel plate to increase the support. Concrete is not required.

Comments

If the soil does not contribute to the stability it may be necessary to add concrete.

Opvangzone

Impact area

WAS, Dutch law

EN1176

Obstakelvrije zone

Obstacle free zone

WAS, Dutch law

EN1176

