



# Nature Play

## VRBE006.014

Multi Swing



# VRBE006.014

Multi Swing



1-2



4 - 12



6.8 x 2.2 x 2.6 m



7.5 x 5.8 m



8.5 x 7.8 m



1.5 m

## Playfunctions

Swinging

## Material

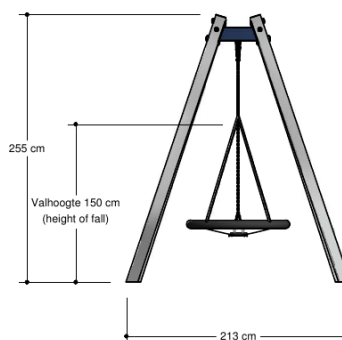
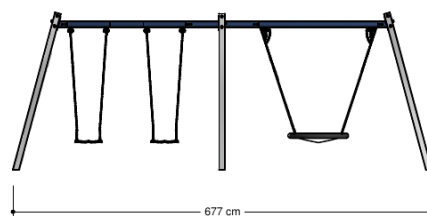
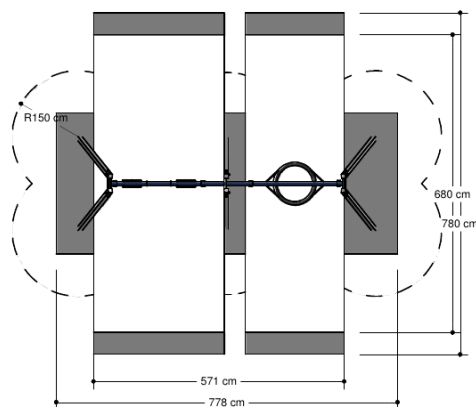
All metal parts are made of stainless steel 304. Connections consist of stainless steel and, where necessary, covered with a plastic cap. The ropes are made of 16 mm vandal proof Hercules rope.

## Anchorage

The posts go to a depth of 60 cm in the ground with at the bottom a steel plate to increase the support. Concrete is not required.

## Comments

If the soil does not contribute to the stability it may be necessary to add concrete.



## Opvangzone

Impact area

WAS, Dutch law

EN1176

## Obstakelvrije zone

Obstacle free zone

WAS, Dutch law

EN1176

