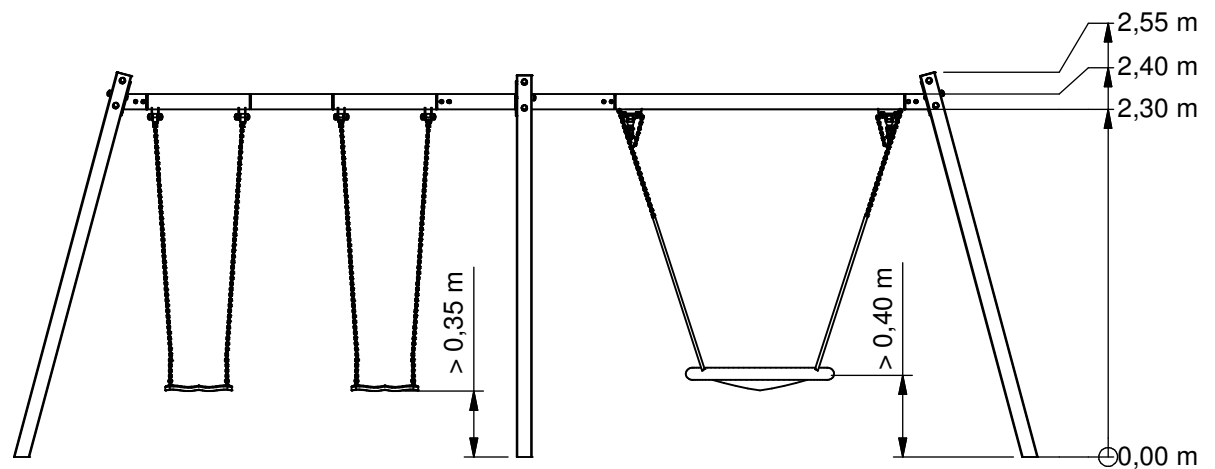
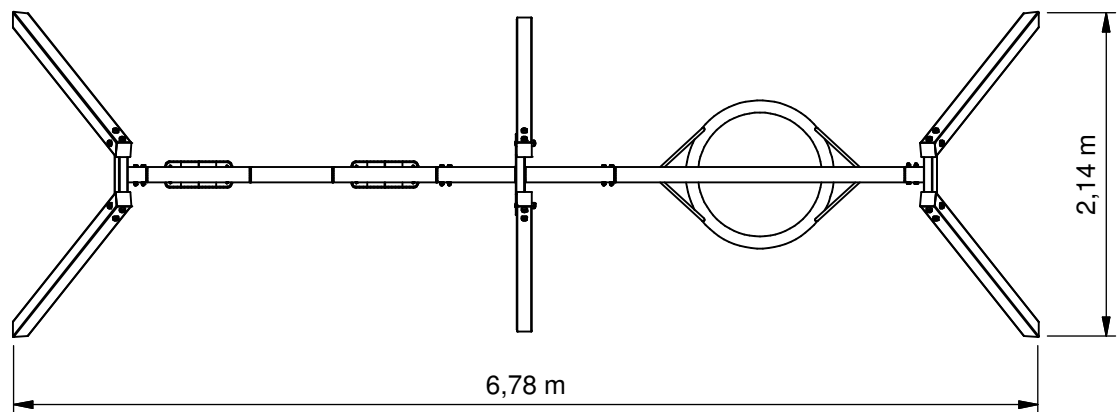




Multi Swing



VRBE006.014



Benaming
Title Multi Swing

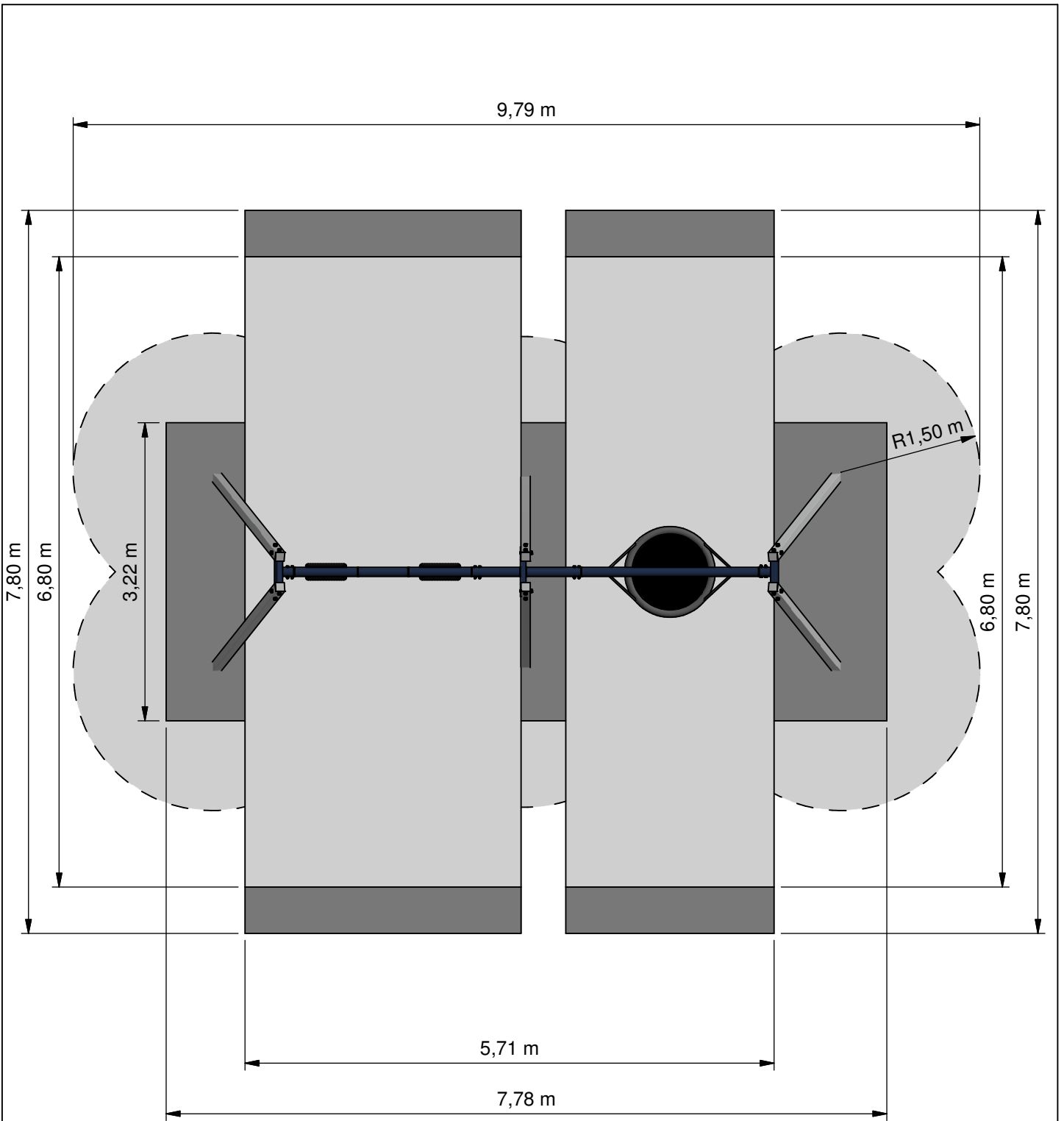
Opmerking
Comment Combi Schommel

Datum
Date 16-12-2014

Tekening
Drawing

TOE VRB 006 014 A

Afmetingen Dimensions



- Obstakelvrij EN-1176**
- Obstacle free EN-1176*
- Opvangzone**
- Impact area*
- Obstakelvrij WAS**
- Obstacle free WAS*



Benaming
Title | Multi Swing

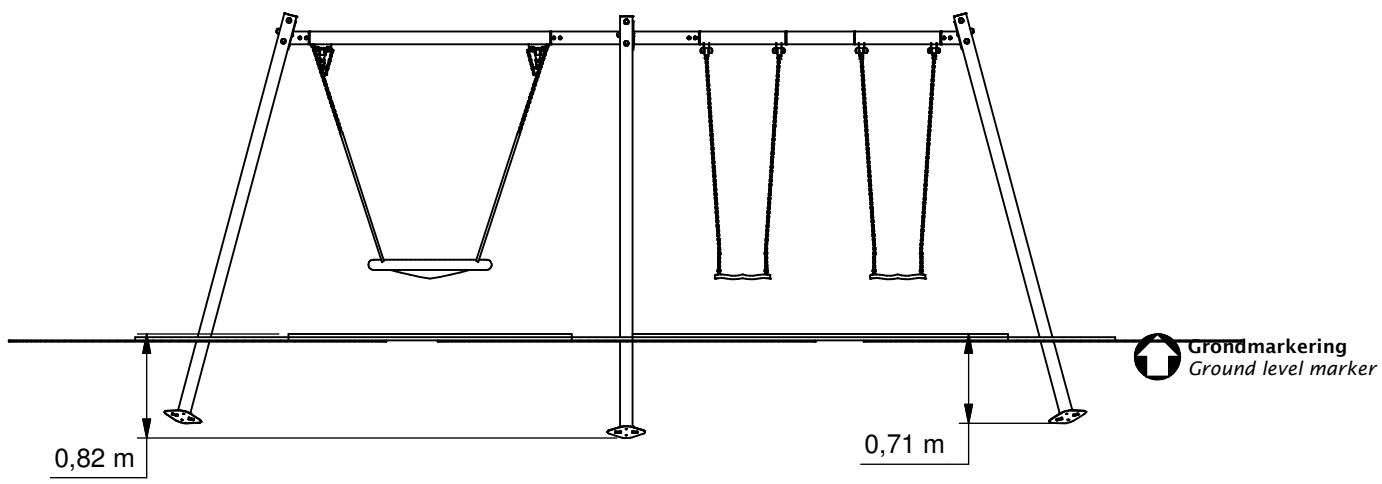
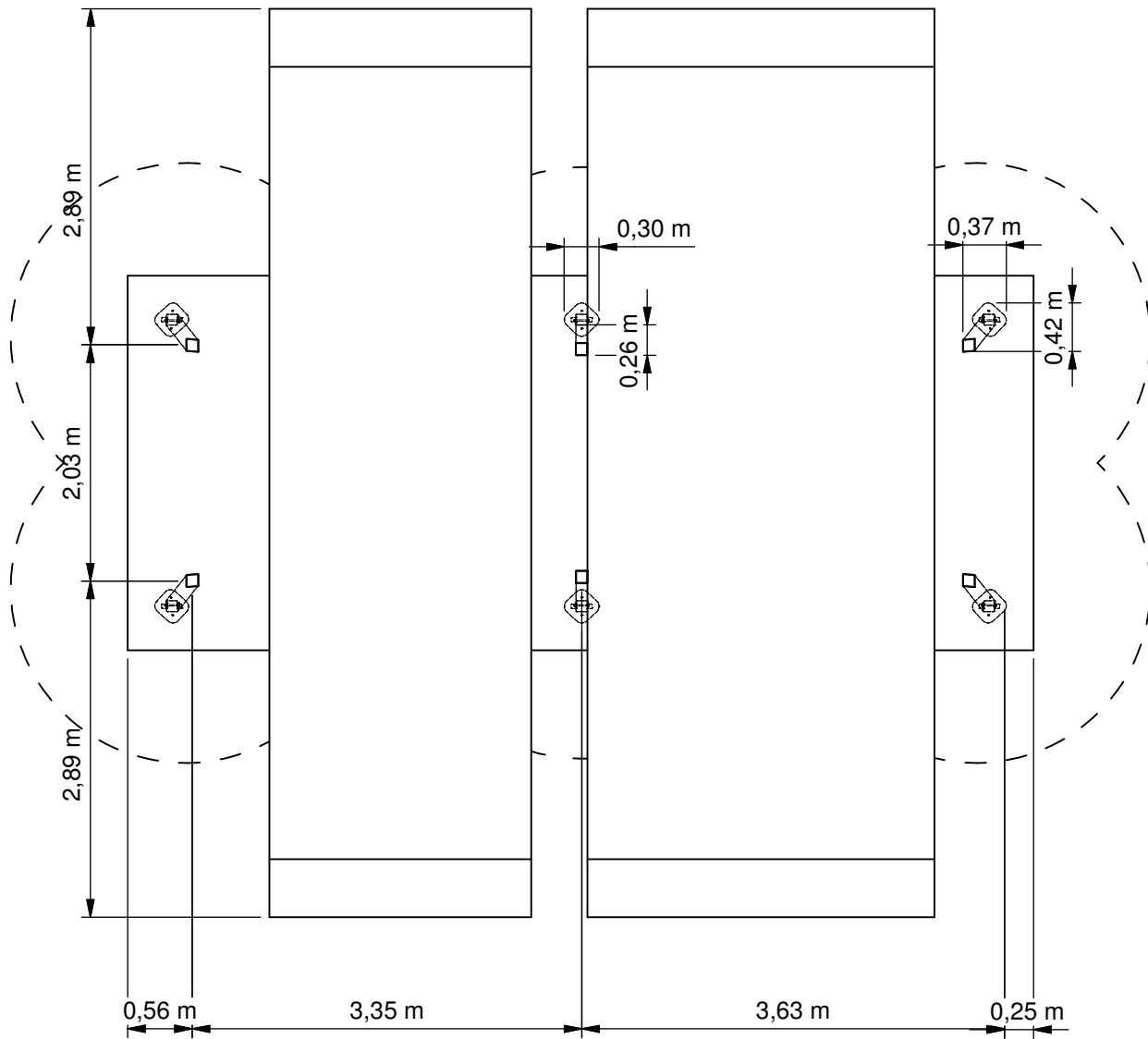
Opmerking
Comment | Combi Schommel

Datum
Date | 16-12-2014

Tekening
Drawing

TOE VRB 006 014 A

Obstakelvrije zone *Obstacle free zone*



Benaming
Title Multi Swing

Opmerking
Comment Combi Schommel

Datum
Date 16-12-2014

Tekening
Drawing

TOE VRB 006 014 A

Bodemplan Groundplan

Geleverde modules:

Zie tabel

Montageinstructie:

- De hoofdmaten geven de maten van de standers en vloeren aan
- De detailtekeningen geven specifiek de maten van de verbindingen aan
- De modules met buizen zijn op de tekeningen bemaat op bovenkant kopplaat
- Overige modules zijn bemaat op de bovenkant (klimwanden, paalkoppen, etc.)

Montagevolgorde:

- 1 - Graaf de gaten volgens het bodemplan
- 2 - Plaats 2,3
- 3 - Plaats 1 (2x),4 en verbind deze aan 2,3
- 4 - Plaats 2
- 5 - Plaats 5,6 en verbind deze aan 2,3
- 6 - Controleer of het toestel voldoet aan de afmetingen zoals op blad 'afmetingen'
- 7 - Dicht de gaten en verdicht het zand

Controles:

- 1 - Correcte opbouw en alle bevestigingsmiddelen
- 2 - Controleer de afmetingen van de valbodem t.o.v. het toestel

Supplied modules:

See table

Assembly instruction:

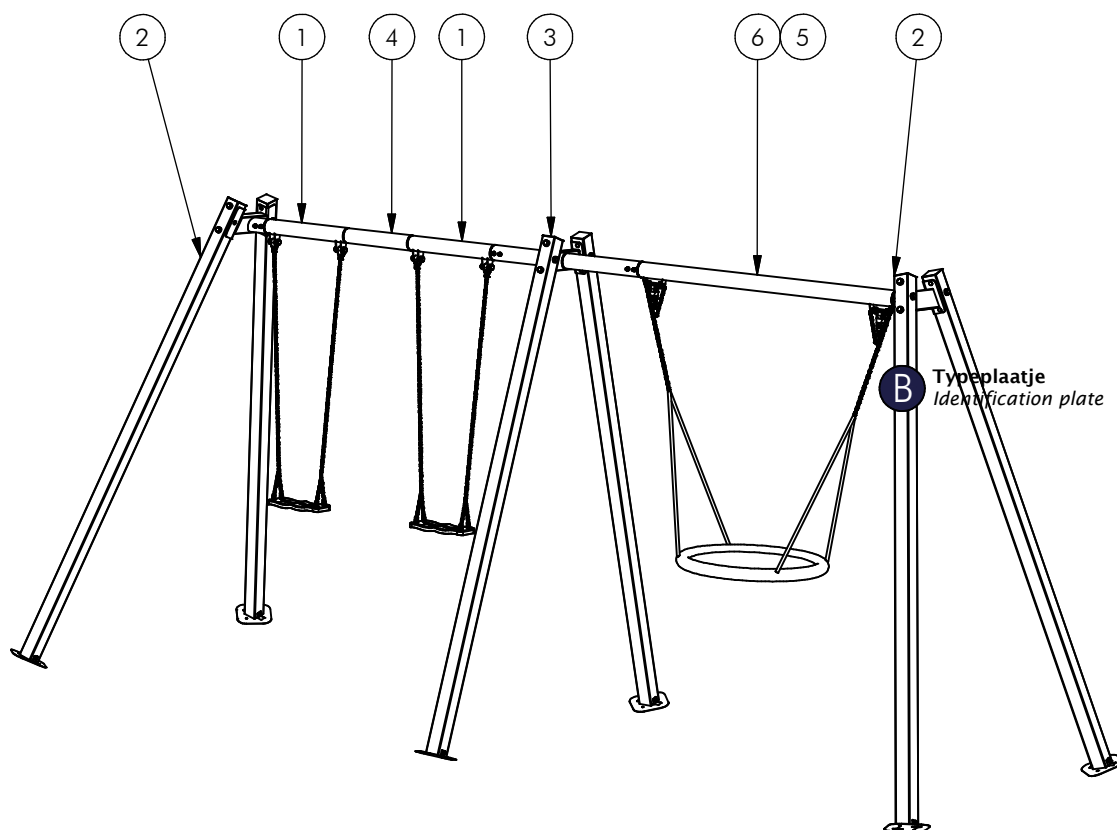
- The main dimensions indicate the dimensions of the posts and floors
- The detailed dimensions show the specific dimensions of the connections
- The modules which contain tubes are dimensioned at the top of the flanges
- Other modules are dimensioned at the top (climbing walls, caps for the posts, etc.)

Assembly sequence:

- 1 - Dig the holes according to the ground plan
- 2 - Place 2,3
- 3 - Place 1 (2x),4 and attach it to 2,3
- 4 - Place 2
- 5 - Place 5,6 and attach it to 2,3
- 6 - Check that the equipment conforms to the dimensions shown on sheet 'dimensions'
- 7 - Close the holes and compact the sand

Checks:

- 1 - Correct assembly and all the fasteners
- 2 - Check the dimensions of the safety area with regard to the play equipment



Nr	#	Type	Progr.	Volgnr	Bew.	Rev.	Benaming	Opmerking
1	2	MOD	SOL	481	502	C	Overgooi Zitje	Ketting 180
2	2	MOD	SOL	493	502	B	Multi Swing, RVS	Eind Module
3	1	MOD	SOL	494	502	B	Multi Swing, RVS	Tussen Module
4	1	MOD	SOL	495	502	A	Multi Swing	Dubbele Schommel Stang
5	1	MOD	SOL	030	496		Multi Swing	Vogelnest Stang
6	1	MOD	SOL	497	502	C	Multi Swing,	Overgooi Vogelnest



Benaming
Title | Multi Swing

Opmerking
Comment | Combi Schommel

Datum
Date | 16-12-2014

Tekening
Drawing

TOE VRB 006 014 A

Modules Modules

VRBE006.014

Multi Swing

LOGBOOK

(Onderstaand logboek kan gebruikt worden om te voldoen aan de eisen, gesteld in artikel 14 van het Warenwetbesluit Attractie- en Speeltoestellen)

Type indication	Nature Play
Product code	VRBE006.014
Name of equipment	Multi Swing RVS
Maximum height of fall	1,5 m
Year of construction	2017
Certificate	100326978
inspection authority	Liftinstituut B.V. Buikslotermeerplein 381, A'dam - 1025 XE Amsterdam
Name manufacturer	BOERplay Hyacintstraat 2 - 4255 HX Nieuwendijk Phone: +31 (0)183 40 23 66 Fax: +31 (0)183 40 35 64
name installer	_____ _____
Description of equipment	Multi Swing
Location of equipment	_____
Data about the owner of the play equipment	
Name:	_____
Address:	_____
Postcode and town:	_____
Contact person:	_____
Telephone number:	_____
Data about the administrator of the play equipment	
Name:	_____
Address:	_____
Postcode and town:	_____
Contact person:	_____
Telephone number:	_____

LOGBOOK

Inspection and maintenance intervals



Nr.	Inspection	Maintenance	months between inspections
1	Verify equipment's stability, junctions and missing parts. Inspect bolts, screws and nuts for absence, jams, corrosion and wear.	Add missing parts, secure joints, apply missing fixing agent and replace corroded parts.	1
2	Check suspension for wear.	Replace worn parts and/or remove non-functioning parts.	1
3	Inspect rotating parts such as hinges, rolling-element bearings, etc. for wear and acceptability.	Replace worn parts and/or remove non-functioning parts.	1
4	Check wood for splinters, unacceptable damage and signs of rot. Especially at ground level.	Repair damage. Replace affected wood. Smoothen splintered wood and sharp edges.	1
5	Inspect foundation for stability, tearing and coverage.	Restore foundation and covering material.	3
6	Examine rubber and synthetic parts for wear, damage and break.	Replace original parts.	3
7	Inspect metal for corrosion and damage in the coating.	Restore any damaged coating (after removing rust and applying primer).	6
8	Check ropes, cables, chains and nets for wear and damage. Steel cables and nets which are tensioned must be checked for tension.	Replace parts where necessary. Steel cables and nets must be tensioned.	3
9	Inspect equipment for unsafe changes and additions.	Remove unsafe additions and correct unsafe changes.	1
10	Inspect safety surfaces.	Restore and repair where necessary.	1

Remarks

1. If used intensively, all points require extra attention.
2. Extreme weather conditions and locations may require a higher inspection frequency. Discuss this with the supplier.
3. Vandalism-sensitive locations require stricter inspections, possibly daily.
4. Check the terrain regularly for items that do not belong there, are unsafe or may be used wrongly. Examples are poisonous plants, glass shards, etc. Frequency depends on strain.
5. Remember that bad maintenance leads to unsafe conditions and notably faster impoverishment of the playground area.
6. Replacement parts can be ordered at the manufacturer with the part numbers on the module drawing. Drawings can be found in de user guide.
7. The impact area shall be provided with impact attenuating surface according to the specified falling height.
8. This list is conform the CEN-standard "playground equipment and surfacing NEN-EN 1176-7".

TYPE-EXAMINATION CERTIFICATE

Acting under the "Warenwetbesluit Attractie- en Speeltoestellen" issued by Liftinstituut B.V.
commissioned by departmental order, no. 131136-106247-VGP van 4 juli 2013

Certificate nr. : NL14-400-100326978 Revision nr.:

Description of the product : Double Swing with basket, VRB.008.014

Trademark, type : Boer Speeltoestellen,
VRB.008.014

Name and address of the manufacturer : Boer Speeltoestellen B.V.
Hyacintstraat 2
4255 HX Nieuwendijk, NL

Name and address of the certificate holder : Boer Speeltoestellen B.V.
Hyacintstraat 2
4255 HX Nieuwendijk, NL



Certificate issued on the basis of the following requirements : Warenwetbesluit Attractie- en Speeltoestellen,

Certificate based on the following standards : NEN-EN 1176-1:2008, NEN-EN 1176-1:2008
Parts of:
Test laboratory : None

Date and number of the laboratory report : None


Date of type-examination : 5 November 2012 – 11 April 2014

Annexes with this certificate : Report belonging to the type-examination certificate
nr.: 100326978

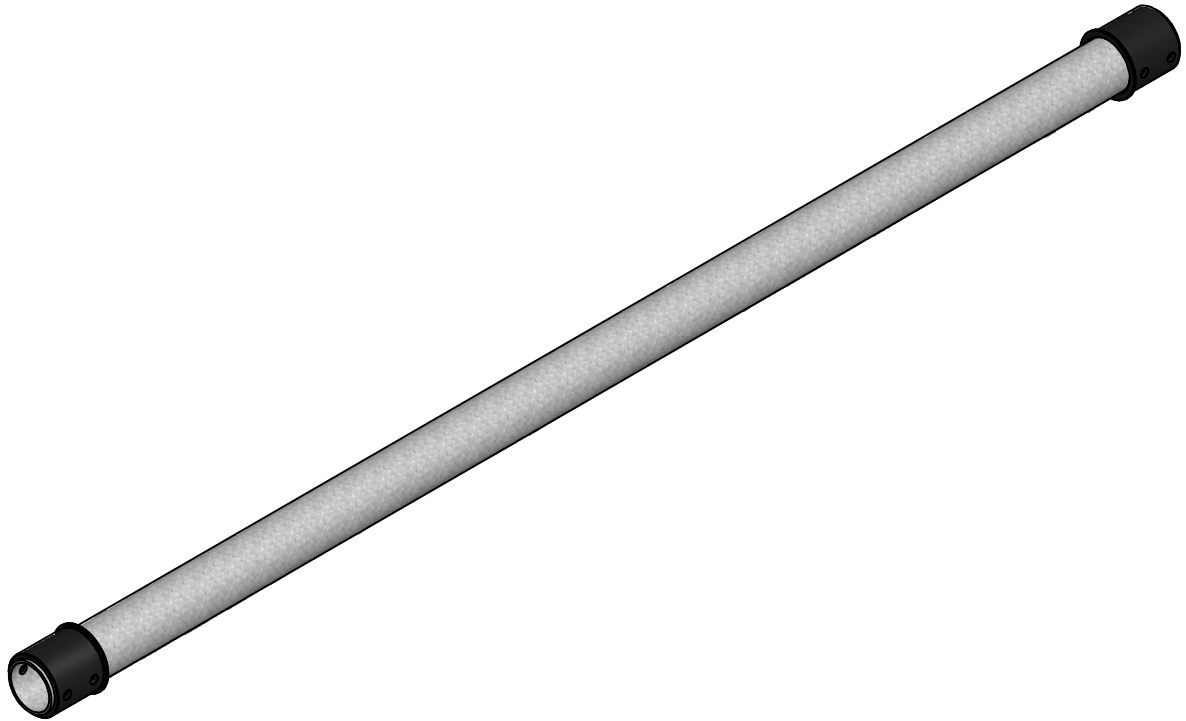
Additional remarks : Maximum height of fall in accordance with EN 1176-2 = 1.8m
Maximum height of fall in accordance with the Dutch "Bijblad voor normgebruikers" = 2.2m

Conclusion : The playground equipment meets the requirements of the above specified European standard(s) and "Warenwetbesluit Attractie- en Speeltoestellen" taking into account any additional remarks mentioned above.

Issued in Amsterdam
Date of issue : 11 April 2014


ing. A.J. van Ommen
Manager Business Unit
Certification


Certification decision
by



POS	N	TYPE	PROJ.	NR.	BEH.	R	BENAMING	OPMERKING
1	1	OME	UBP	200	011	D	Bovenbuis	UBP Schommel dubbel
2	2	KST	UBP	200	006	A	Lagerring met gat	Overgooi Schommel



Benaming
Title | Multi Swing

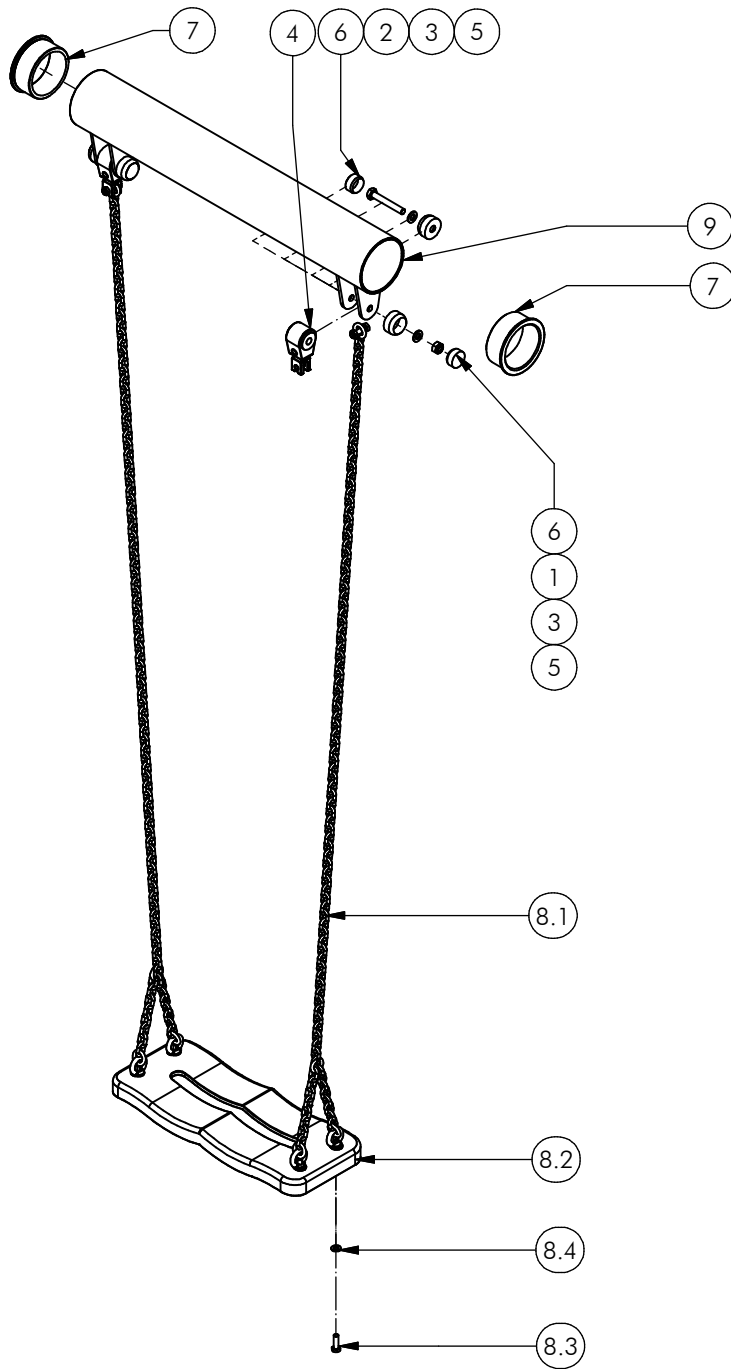
Opmerking
Comment | Vogelnest Stang

Datum
Date | 19-10-2011

Tekening
Drawing

MOD SOL 030 496

Samenstelling module Assembly module



Nr.	#	Type	Progr.	Volgnr	Bew.	Rev.	Benaming	Opmerking
1	2	BSR	010	010	010		Borgmoer	M10 - RVS A2-70
2	2	BSR	021	010	070		Zeskantbout	M10 x 70 - RVS A2-70
3	6	BSR	030	010	002		SLUITRING	M10
4	2	BSR	081	012	090		Schommelscharnier	RVS A2-70
5	4	KST	DON	010	060		Beschermkop M10-M12	Donut zwart
6	4	KST	DOP	010	060		Beschermkop M10-M12	Dop zwart
7	2	KST	UBP	200	005	A	Lagerring	UBP Schommel
8	1	SMD	ZIT	180	090		Zitje incl. ketting	
8.1	2	RNT	KET	005	180		Schommelketting 5mm	Met vork 1,80/1,75 m
8.2	1	CNK	ZIT	001	090		Schommelzitje CNK	Zwart
8.3	4	BSR	021	008	025		Zeskantbout	M8 x 25 - RVS A2-70
8.4	4	BSR	030	008	002		Sluitring	M8 - RVS A2-70
9	1	SME	UBP	200	502	D	UBP Schommelbuis	Schommel dubbel

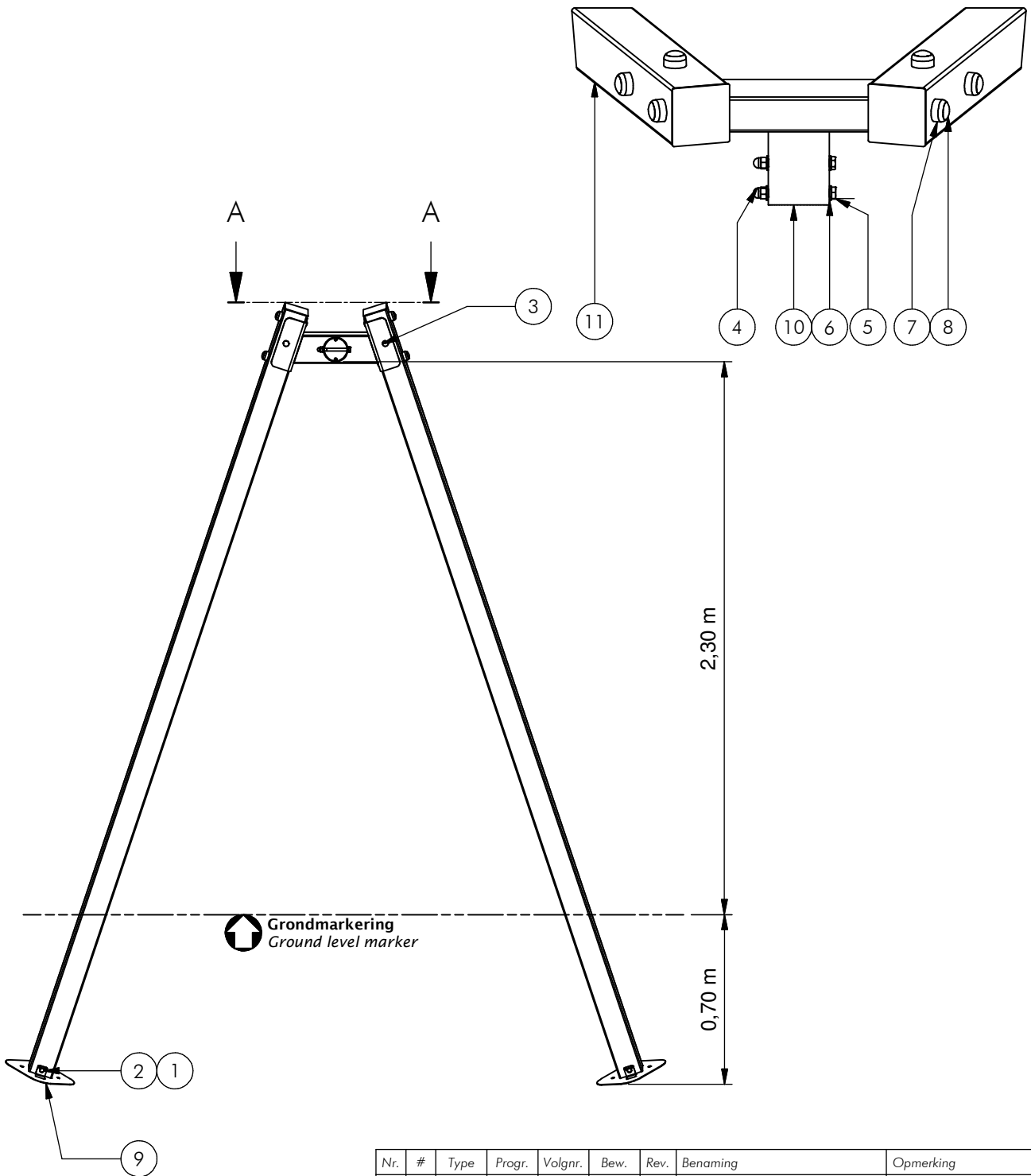


Benaming Title Overgooi Zitje
 Opmerking Comment Ketting 180
 Datum Date 12-10-2017

Tekening Drawing

MOD SOL 481 502 C
 Samenstelling module Assembly module

A (1 : 10)



Nr.	#	Type	Progr.	Volgnr.	Bew.	Rev.	Benaming	Opmerking
1	8	BSR	010	010	010		Borgmoer	M10 - RVS A2-70
2	2	BSR	021	010	120		Zeskantbout	M10 x 120 - RVS A2-70
3	6	BSR	026	010	120		Slotbout	M10 x 120 - RVS A2-70
4	2	BSV	011	012	025		Borgdopmoer	M12 verzinkt
5	2	BSV	021	012	120		Zeskantbout ISO 4014	M12 x 120
6	4	BSV	030	012	003		Sluitring	M12 - VZ 8.8
7	6	KST	DON	010	060		Beschermcap M10-M12	Donut zwart
8	6	KST	DOP	010	060		Beschermcap M10-M12	Dop zwart
9	2	OME	VRB	903	VZP	C	Voetplaat	100 x 100
10	1	SME	SOL	255	502	A	rechte verbinding	ovg schommel
11	2	SME	VRB	654	320		Staander	Overgooischommel



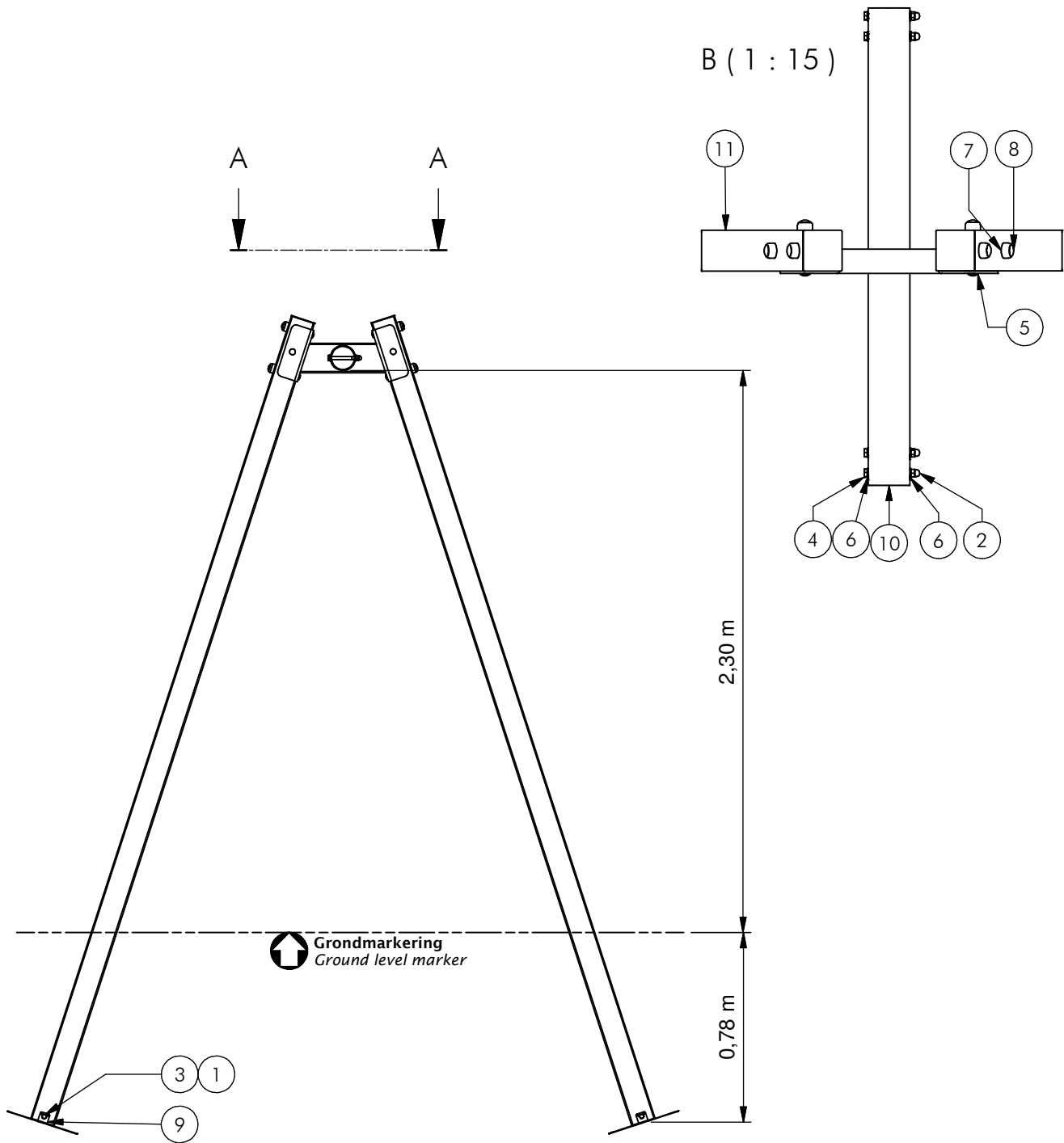
Benaming
Title | Multi Swing, RVS

Opmerking
Comment | Eind Module

Datum
Date | 13-10-2017

Tekening
Drawing

MOD SOL 493 502 B
Samenstelling module Assembly module



Nr	#	Type	Progr.	Volgnr	Bew.	Rev.	Benaming	Opmerking
1	8	BSV	010	010	010		Borgmoer	M10 - VZ 8.8
2	4	BSV	011	012	025		Borgdopmoer	M12 verzinkt
3	2	BSV	021	010	120		Zeskantbout ISO 4014	M10 x 120 - VZ 8.8
4	4	BSV	021	012	120		Zeskantbout ISO 4014	M12 x 120
5	6	BSV	026	010	120		Slotbout	M10 x 120 - VZ 8.8
6	8	BSV	030	012	003		Sluitring	M12 - VZ 8.8
7	6	KST	DON	010	060		Beschermcap M10-M12	Donut zwart
8	6	KST	DOP	010	060		Beschermcap M10-M12	Dop zwart
9	2	OME	VRB	903	VZP	C	Voetplaat	100 x 100
10	1	SME	SOL	258	502	A	Tussenverbinding	Multi Swing
11	2	SME	VRB	654	320		Staander	Overgooischommel



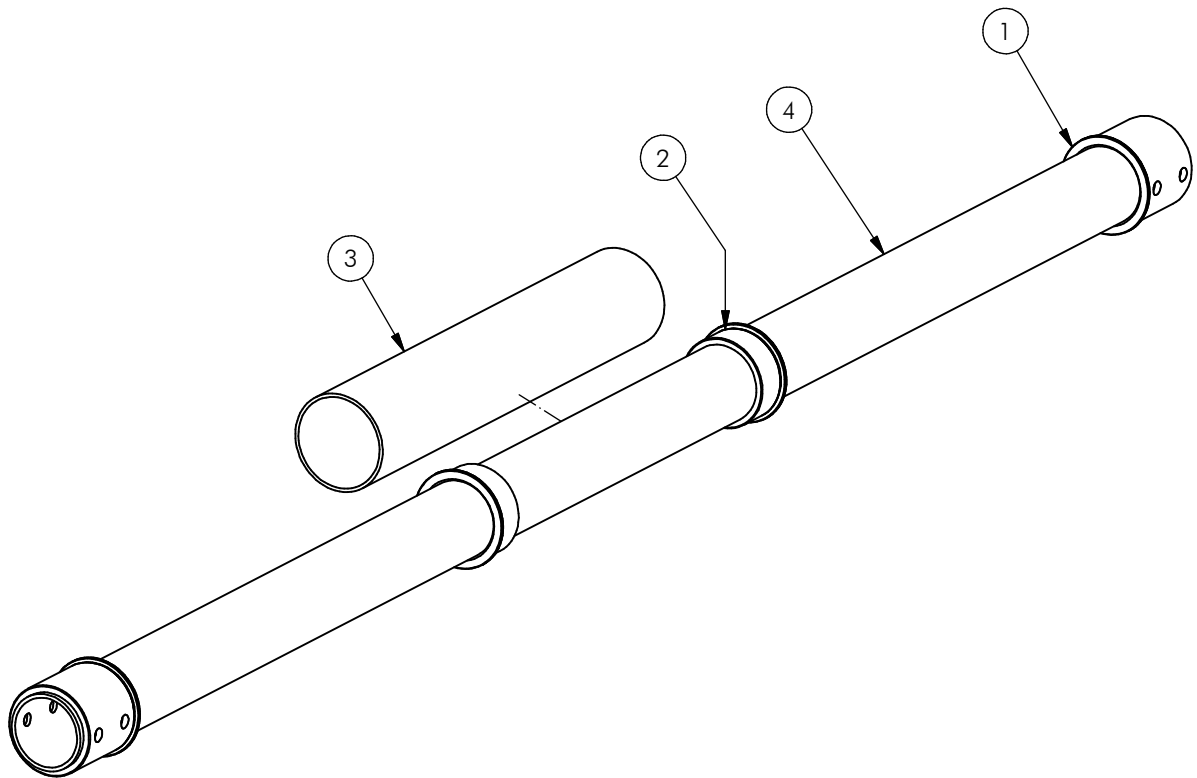
Benaming
Title Multi Swing, RVS

Opmerking
Comment Tussen Module

Datum
Date 13-10-2017

Tekening
Drawing

MOD SOL 494 502 B
Samenstelling module Assembly module



Nr	#	Type	Progr.	Volgnr	Bew.	Rev.	Benaming	Opmerking
1	2	KST	UBP	200	006	A	Lagerring met gat	Overgooi Schommel
2	2	KST	UBP	200	005	A	Lagerring	UBP Schommel
3	1	OME	UBP	042	502	D	Middenbuis	UBP Schommel dubbel
4	1	OME	UBP	200	011	D	Bovenbuis	UBP Schommel dubbel



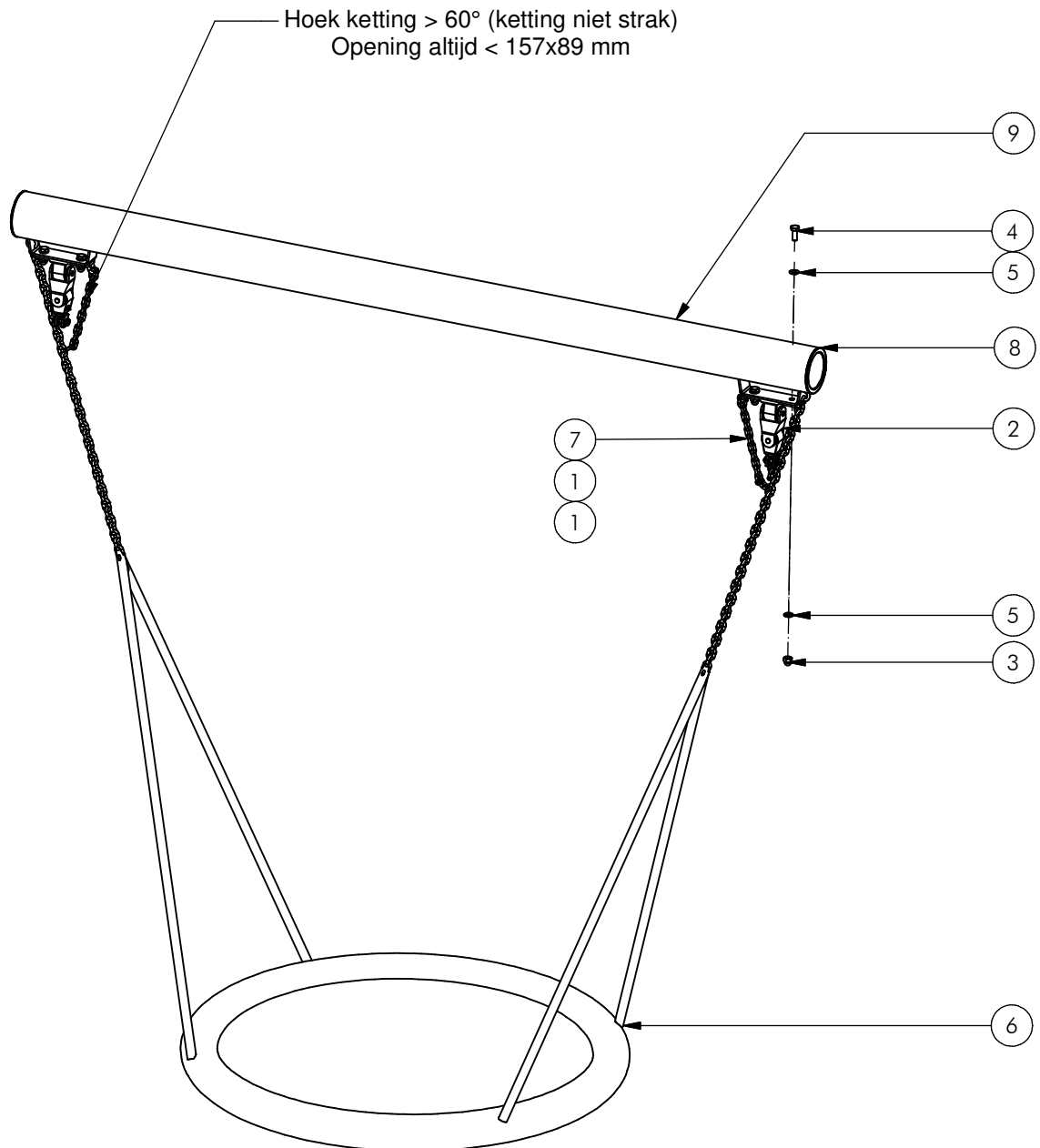
Benaming
Title | Multi Swing

Opmerking
Comment | Dubbele Schommel Stang

Datum
Date | 13-10-2017

Tekening
Drawing

MOD SOL 495 502 A
 Samenstelling module *Assembly module*



Nr	#	Type	Progr.	Volgnr	Bew.	Rev.	Benaming	Opmerking
1	4	BSR	031	005	000		D-Sluiting	5 mm, RVS A2-70
2	2	BSR	081	012	092		Scharnier dubbel NORMAAL	RVS A2-70
3	4	BSV	011	010	020		Borgdopmoer	M10 - VZ 8.8
4	4	BSV	021	010	025		Zeskantbout ISO 4014	M10 x 25 - VZ 8.8
5	8	BSV	030	010	002		SLUITRING	M10 VZ
6	1	DRD	NST	001	100		Vogelnest Ø1,0 m	balk 2,5 m
7	2	KET	005	002	018		RVS ketting 5mm	0,18 m lang
8	2	KST	UBP	200	005	A	Lagerring	UBP Schommel
9	1	SME	SOL	228	502	A	Overgooi Buis	TBV Vogelnest



Benaming
 Title Multi Swing,
 Opmerking
 Comment Overgooi Vogelnest
 Datum
 Date 13-10-2017

Tekening
 Drawing

MOD SOL 497 502 C
 Samenstelling module Assembly module