



Sports equipment

SPTTE100.205

Hanging bridge



SPTE100.205

Hanging bridge



1+



all ages



4.3 x 1.9 x 2.3 m



6.5 x 5.4 m



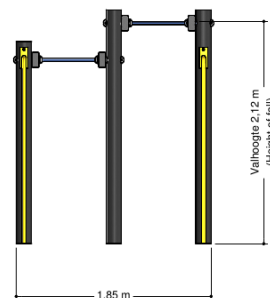
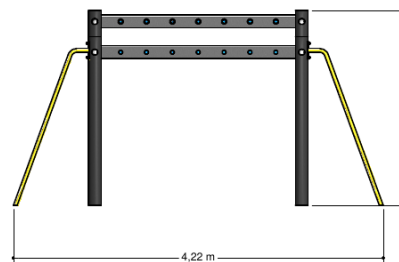
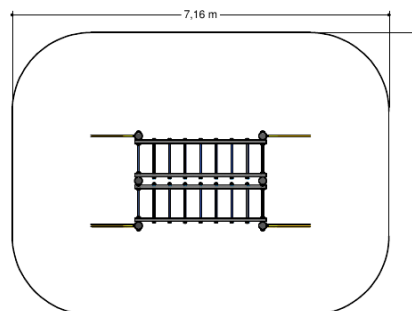
6.5 x 5.4 m



2.3 m

Playfunctions

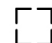
Climbing, sway, fitness



Opvangzone

Impact area

 WAS, Dutch law

 EN1176

Obstakelvrije zone

Obstacle free zone

 WAS, Dutch law

 EN1176

